



US00D675158S

(12) **United States Design Patent**  
**Smith et al.**

(10) **Patent No.:** **US D675,158 S**  
(45) **Date of Patent:** **\*\* Jan. 29, 2013**

(54) **PLUG**

(75) Inventors: **Dustin Jonathan Smith**, Kitchener (CA); **Anders Fahrendorff**, Ottawa (CA); **Todd Andrew Wood**, Toronto (CA)

(73) Assignee: **Research In Motion Limited**, Waterloo, Ontario (CA)

(\*\*) Term: **14 Years**

(21) Appl. No.: **29/423,256**

(22) Filed: **May 30, 2012**

(51) **LOC (9) Cl.** ..... **13-02**

(52) **U.S. Cl.** ..... **D13/110**

(58) **Field of Classification Search** ..... D13/110,  
D13/103, 107, 108, 123, 133, 137.1, 138.1,  
D13/138.2, 199; 174/53, 54, 59, 61; 307/150,  
307/151; 320/111, 114; 363/132, 140, 142,  
363/143, 146; 439/105, 131, 166, 171-173,  
439/218, 518, 692, 956; D14/240, 251, 253,  
D14/432, 433, 434

See application file for complete search history.

(56) **References Cited**

U.S. PATENT DOCUMENTS

D308,044	S	*	5/1990	Chandler	.....	D13/110
D446,499	S	*	8/2001	Andre et al.	.....	D13/110
D454,110	S	*	3/2002	Andre et al.	.....	D13/110
D573,946	S	*	7/2008	Ledbetter et al.	.....	D13/110
D587,192	S	*	2/2009	McGinley et al.	.....	D13/110
D595,224	S	*	6/2009	Seil et al.	.....	D13/110
D601,500	S	*	10/2009	Green et al.	.....	D13/110
D602,430	S	*	10/2009	Green et al.	.....	D13/110
D611,409	S	*	3/2010	Green et al.	.....	D13/110
D621,348	S	*	8/2010	Nylen	.....	D13/108
D660,796	S	*	5/2012	Wen et al.	.....	D13/110

\* cited by examiner

*Primary Examiner* — Derrick Holland

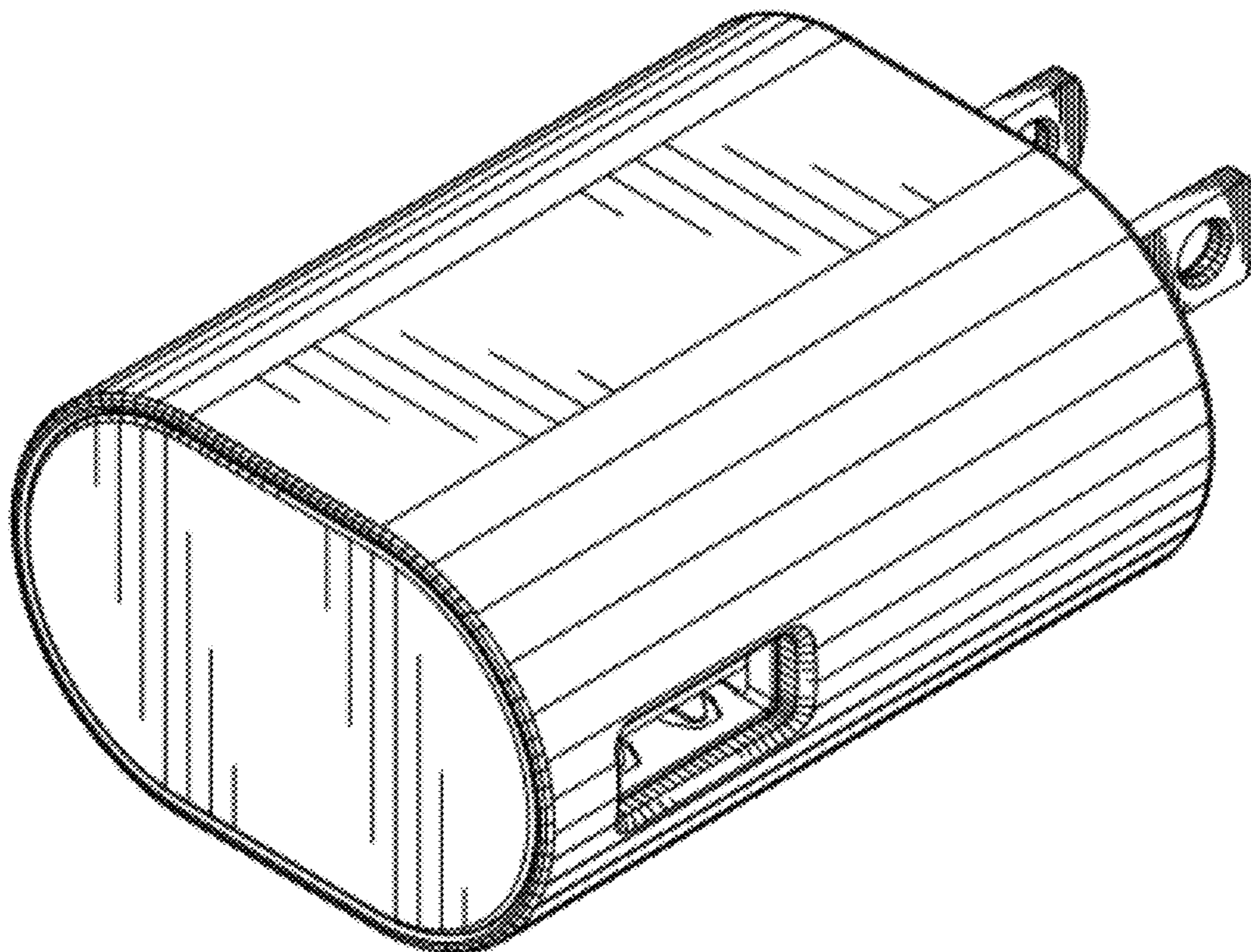
(57) **CLAIM**

We claim the ornamental design for a plug, as shown and described.

**DESCRIPTION**

FIG. 1 is a front perspective view of a plug;  
FIG. 2 is a back perspective view of the plug;  
FIG. 3 is a top plan view thereof;  
FIG. 4 is a bottom plan view thereof;  
FIG. 5 is a left elevation view thereof;  
FIG. 6 is a right elevation view thereof;  
FIG. 7 is a front elevation view thereof; and,  
FIG. 8 is a back elevation view thereof.

**1 Claim, 4 Drawing Sheets**





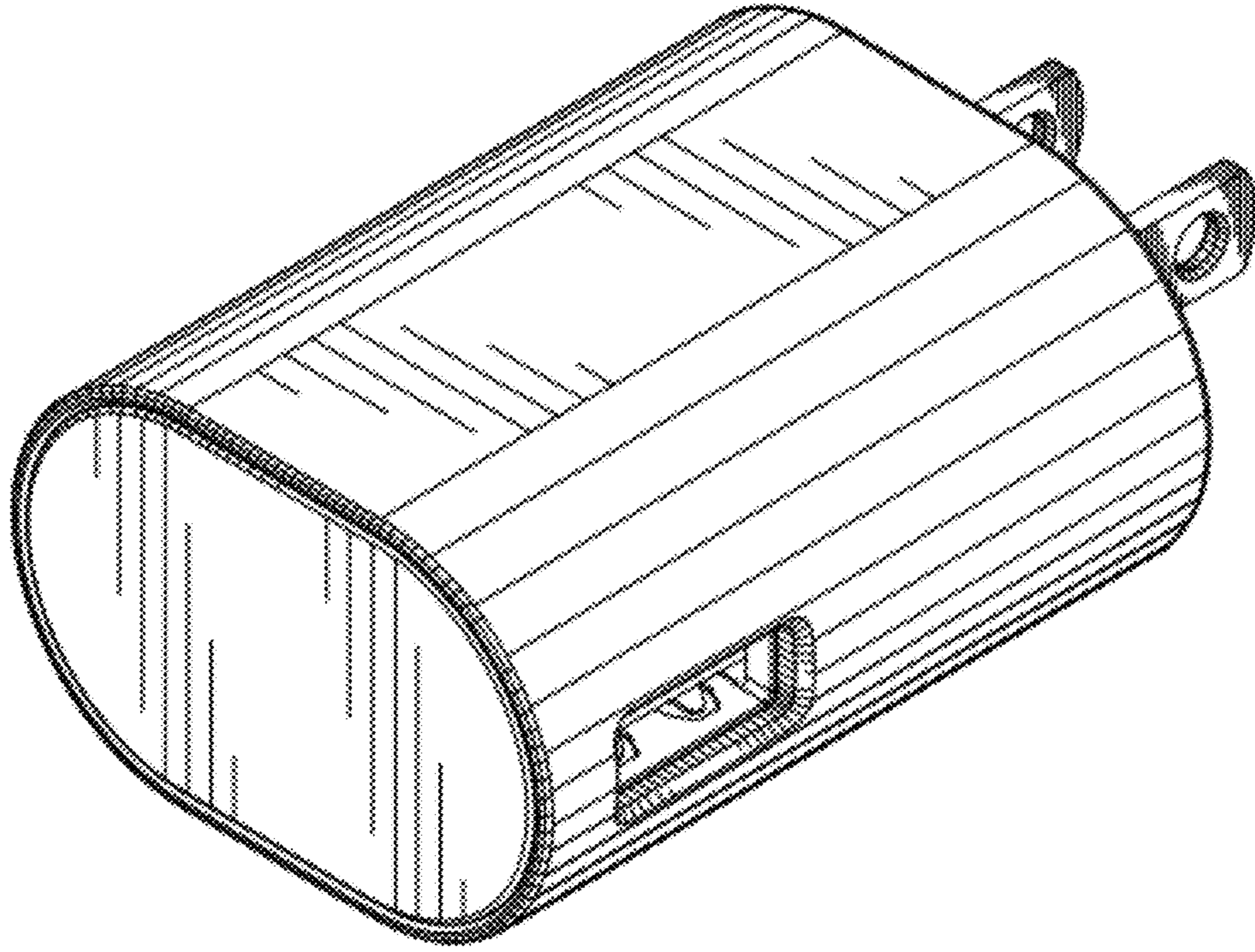


FIG. 1

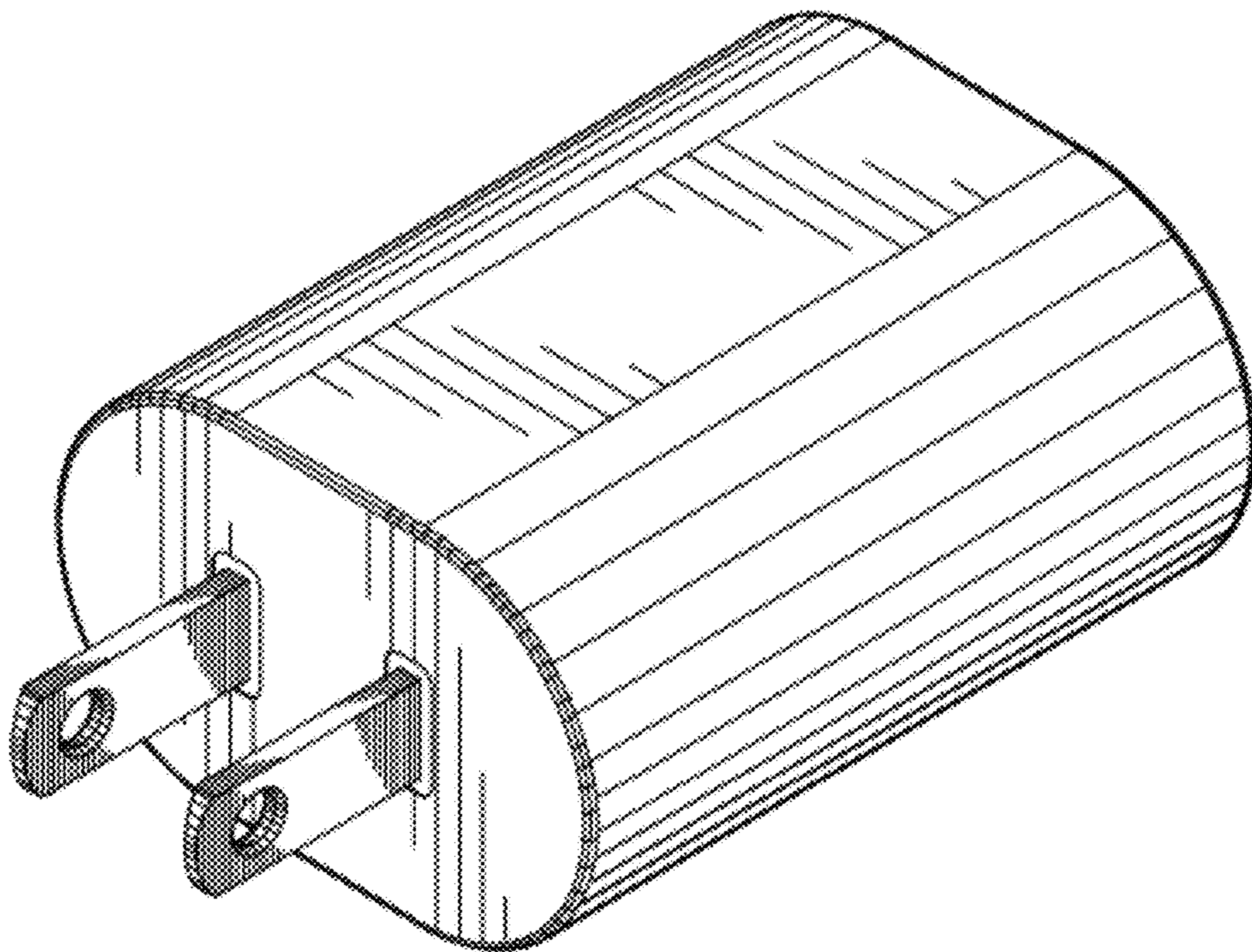


FIG. 2

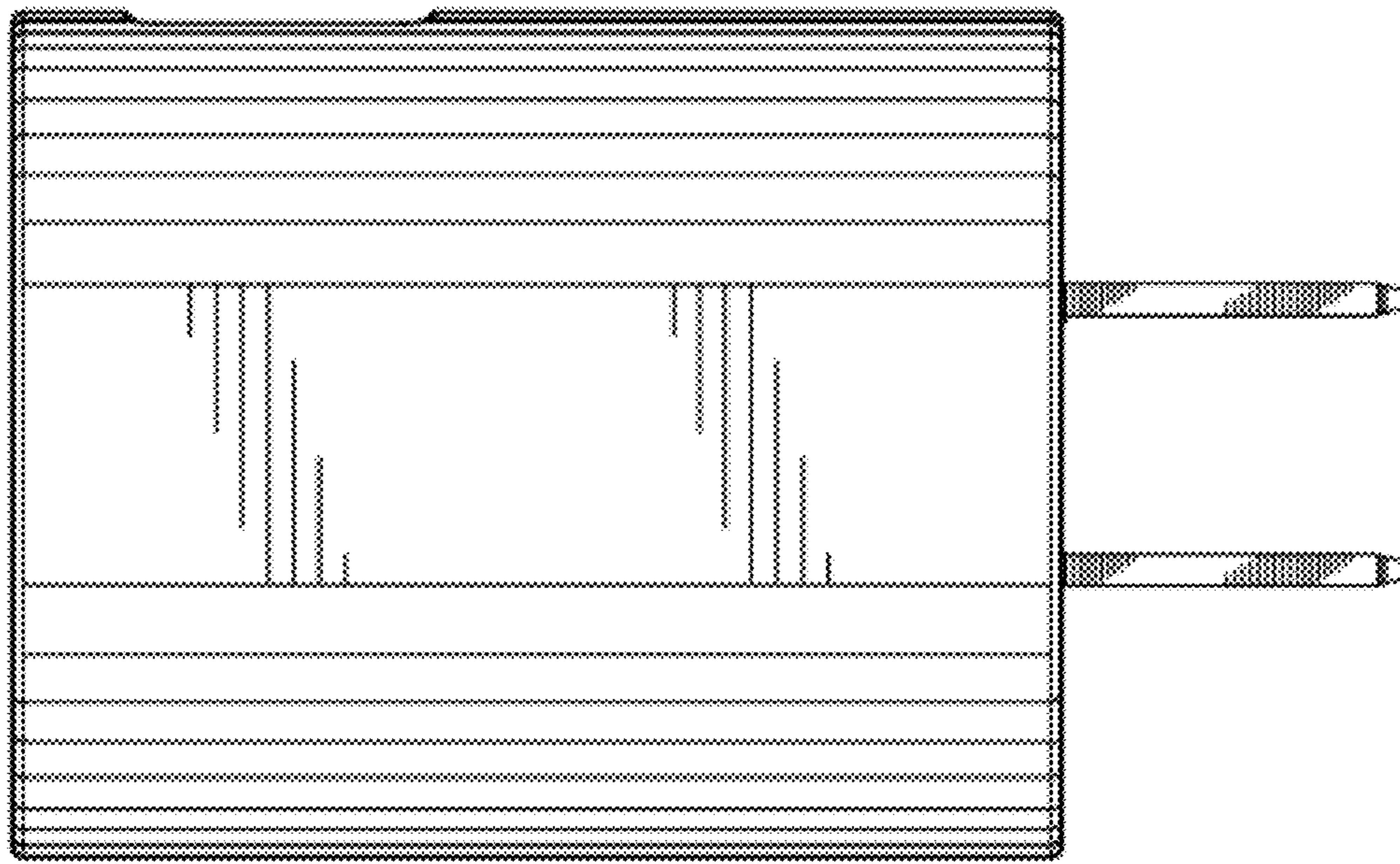


FIG. 3

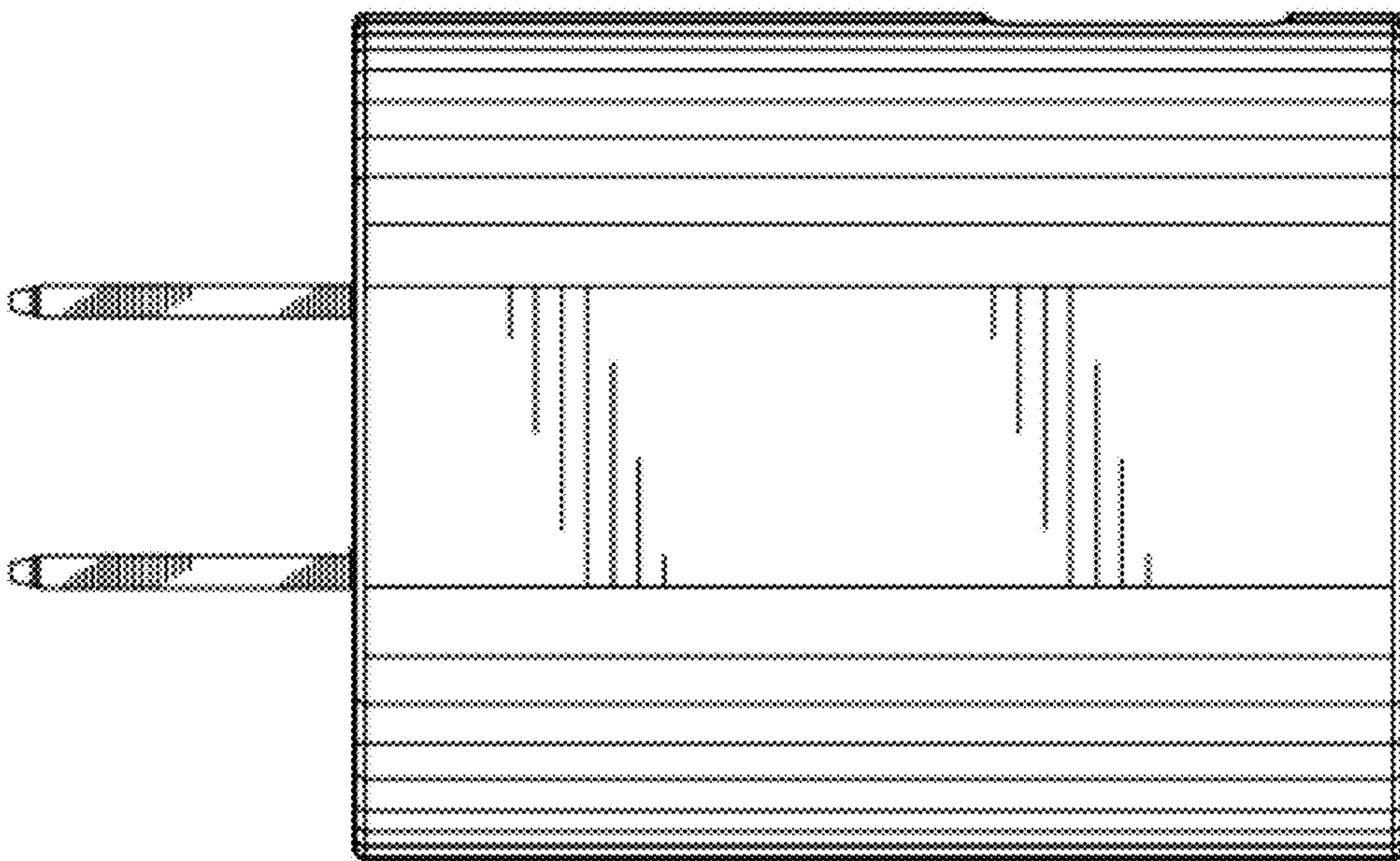


FIG. 4



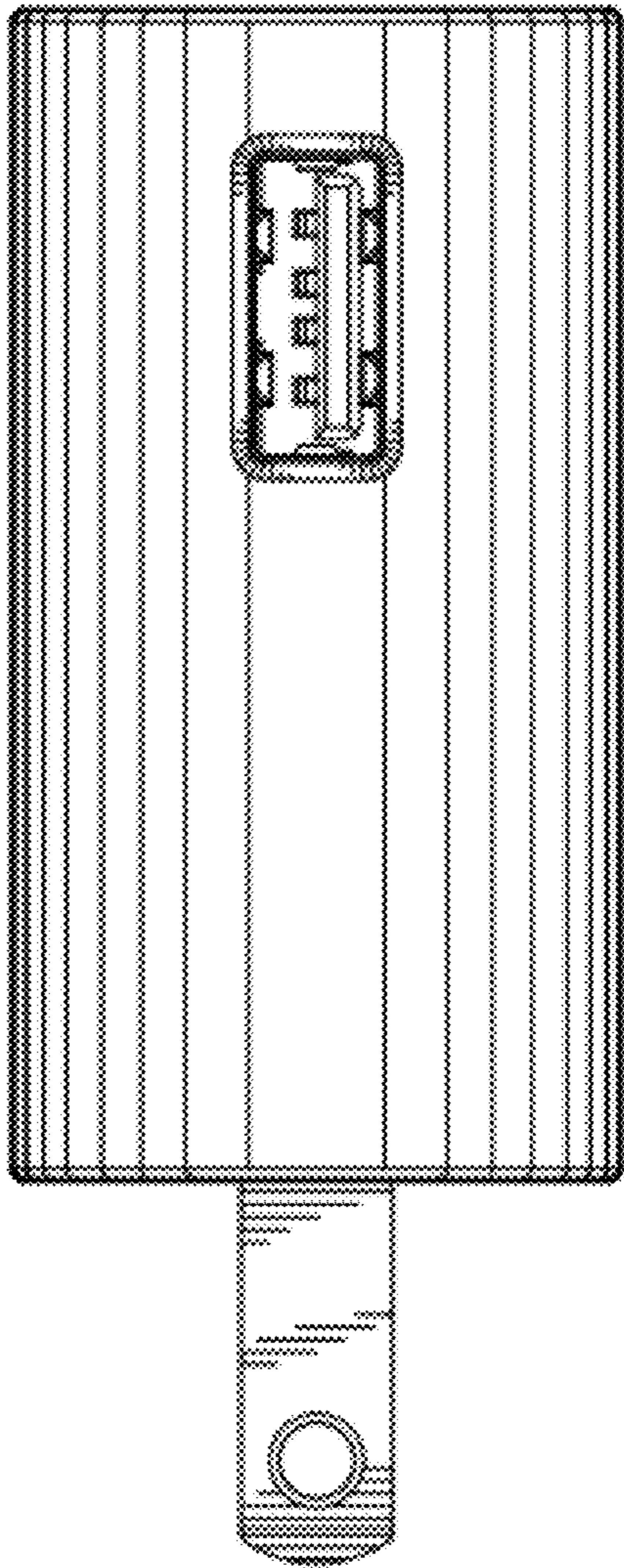


FIG. 5

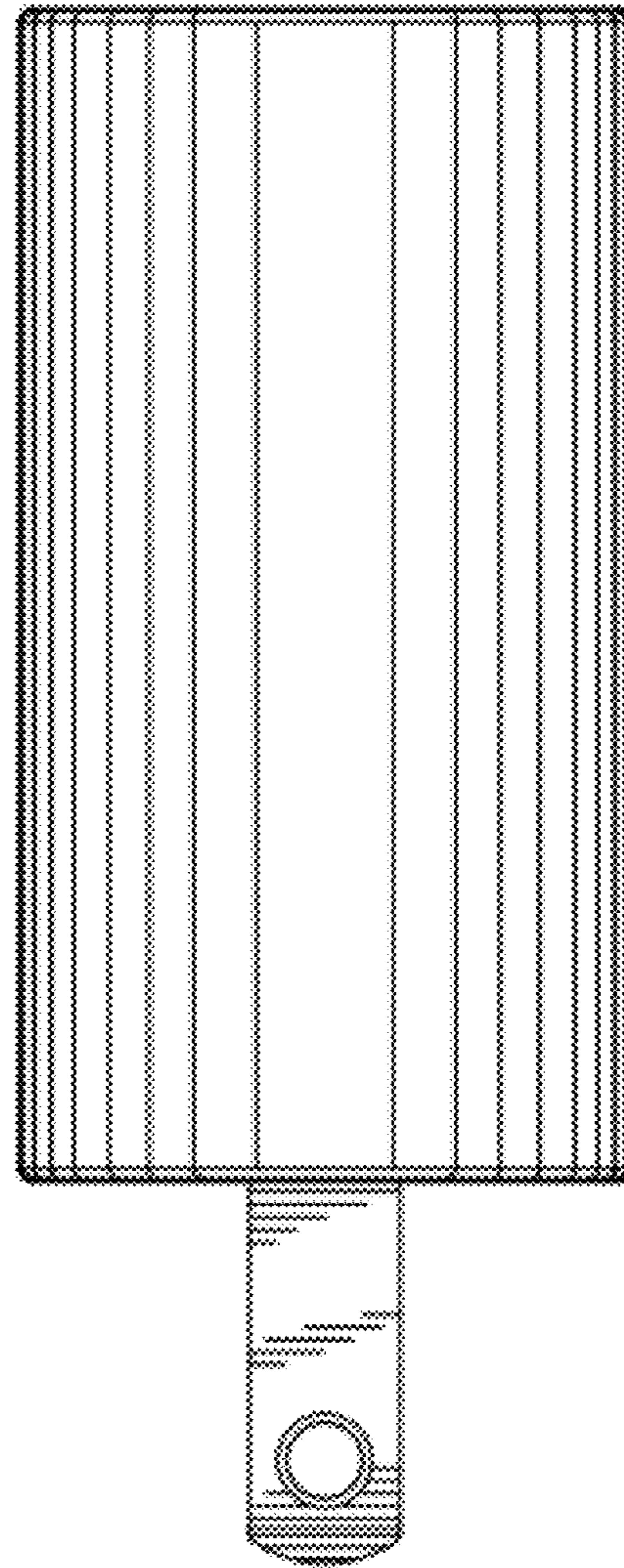


FIG. 6

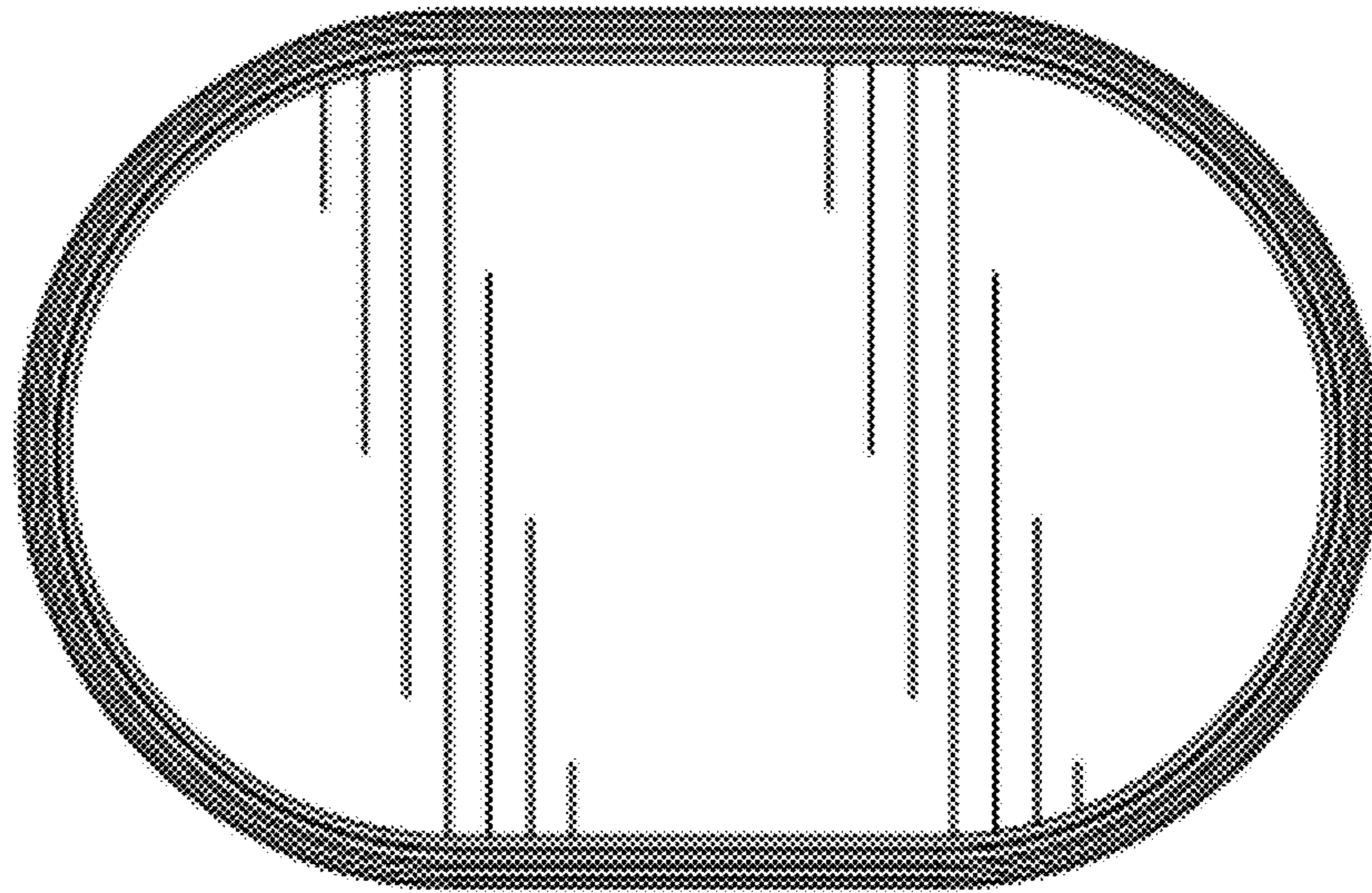


FIG. 7

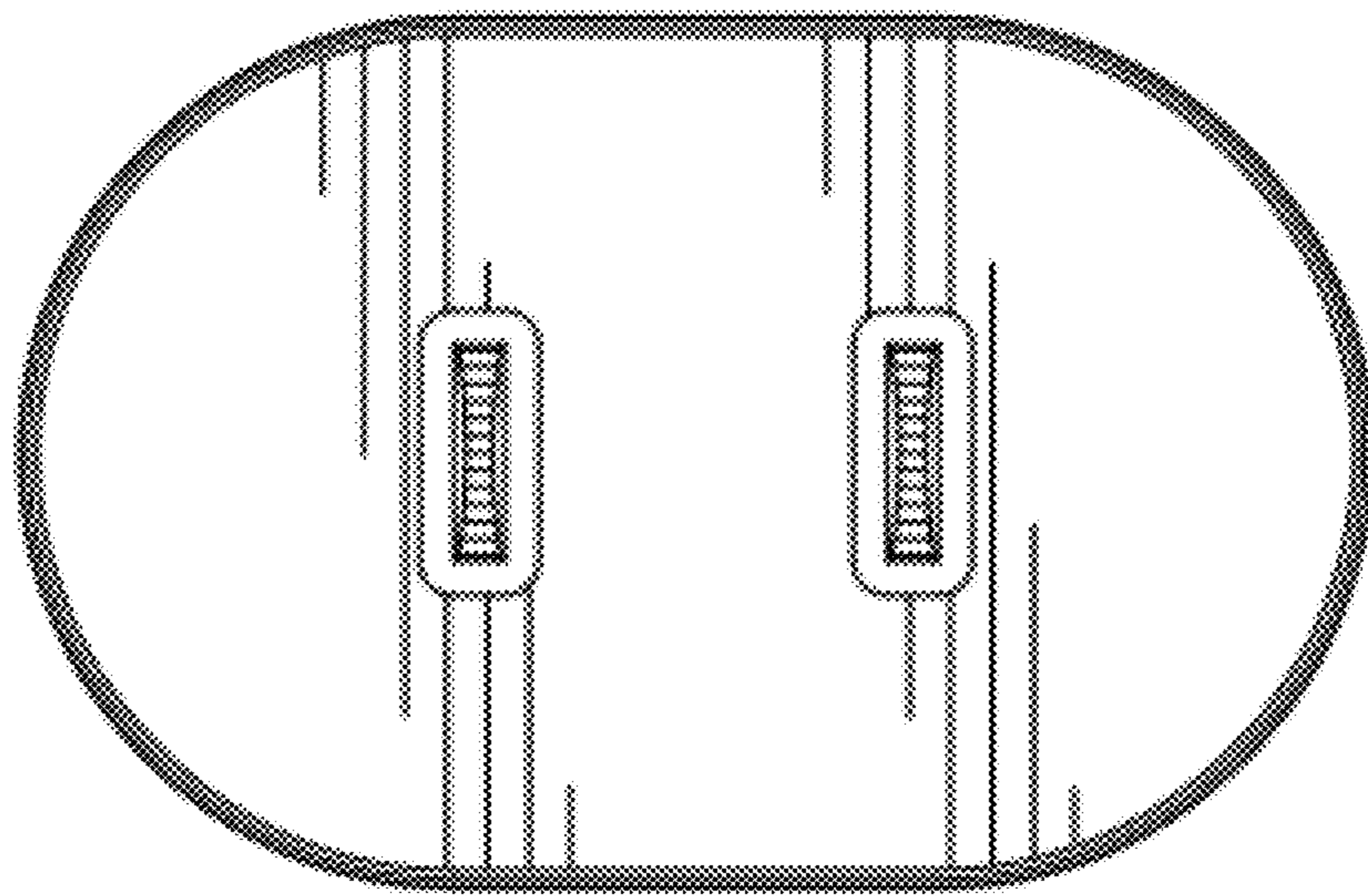


FIG. 8