



US00D675157S

(12) **United States Design Patent**
Lacotta et al.

(10) **Patent No.:** **US D675,157 S**
(45) **Date of Patent:** **** Jan. 29, 2013**

(54) **THERMOMETER CHARGING DOCK**

(75) Inventors: **Paul Lacotta**, Tenafly, NJ (US); **Dio Climaco Cavero**, North Merrick, NY (US); **Rich Thrush**, Jersey City, NJ (US)

(73) Assignee: **Kaz USA, Inc.**, Southborough, MA (US)

(**) Term: **14 Years**

(21) Appl. No.: **29/416,593**

(22) Filed: **Mar. 23, 2012**

(51) **LOC (9) Cl.** **13-02**

(52) **U.S. Cl.** **D13/108**

(58) **Field of Classification Search** D13/106–110,
D13/118–119, 184, 199; D14/251, 253,
D14/432, 434; 320/107–115; D10/60

See application file for complete search history.

(56) **References Cited**

U.S. PATENT DOCUMENTS

D350,540 S *	9/1994	Hyvonen	D14/149
D388,764 S *	1/1998	Bartling et al.	D13/107
D402,258 S *	12/1998	Kawakami	D13/107
D532,365 S *	11/2006	Shen	D13/107
D535,614 S *	1/2007	Majanen et al.	D13/108
D625,729 S *	10/2010	McNames et al.	D14/434
D647,907 S *	11/2011	Perry et al.	D14/434
2012/0194132 A1 *	8/2012	Ikegame	320/113

* cited by examiner

Primary Examiner — Rosemary K Tarcza

(74) *Attorney, Agent, or Firm* — Stroock & Stroock & Lavan LLP

(57) **CLAIM**

The ornamental design for a thermometer charging dock, as shown and described.

DESCRIPTION

FIG. 1 is a perspective view of a thermometer charging dock constructed in accordance with an embodiment of the present invention;

FIG. 2 is a front view of the thermometer charging dock of FIG. 1;

FIG. 3 is a left side view of the thermometer charging dock of FIG. 1;

FIG. 4 is a back view of the thermometer charging dock of FIG. 1;

FIG. 5 is a right side view of the thermometer charging dock of FIG. 1;

FIG. 6 is a top view of the thermometer charging dock of FIG. 1; and,

FIG. 7 is a bottom view of the thermometer charging dock of FIG. 1.

The elements delineated in dashed lines in the drawings are included for the purpose of illustrating environmental structure and form no part of the claimed design.

1 Claim, 4 Drawing Sheets

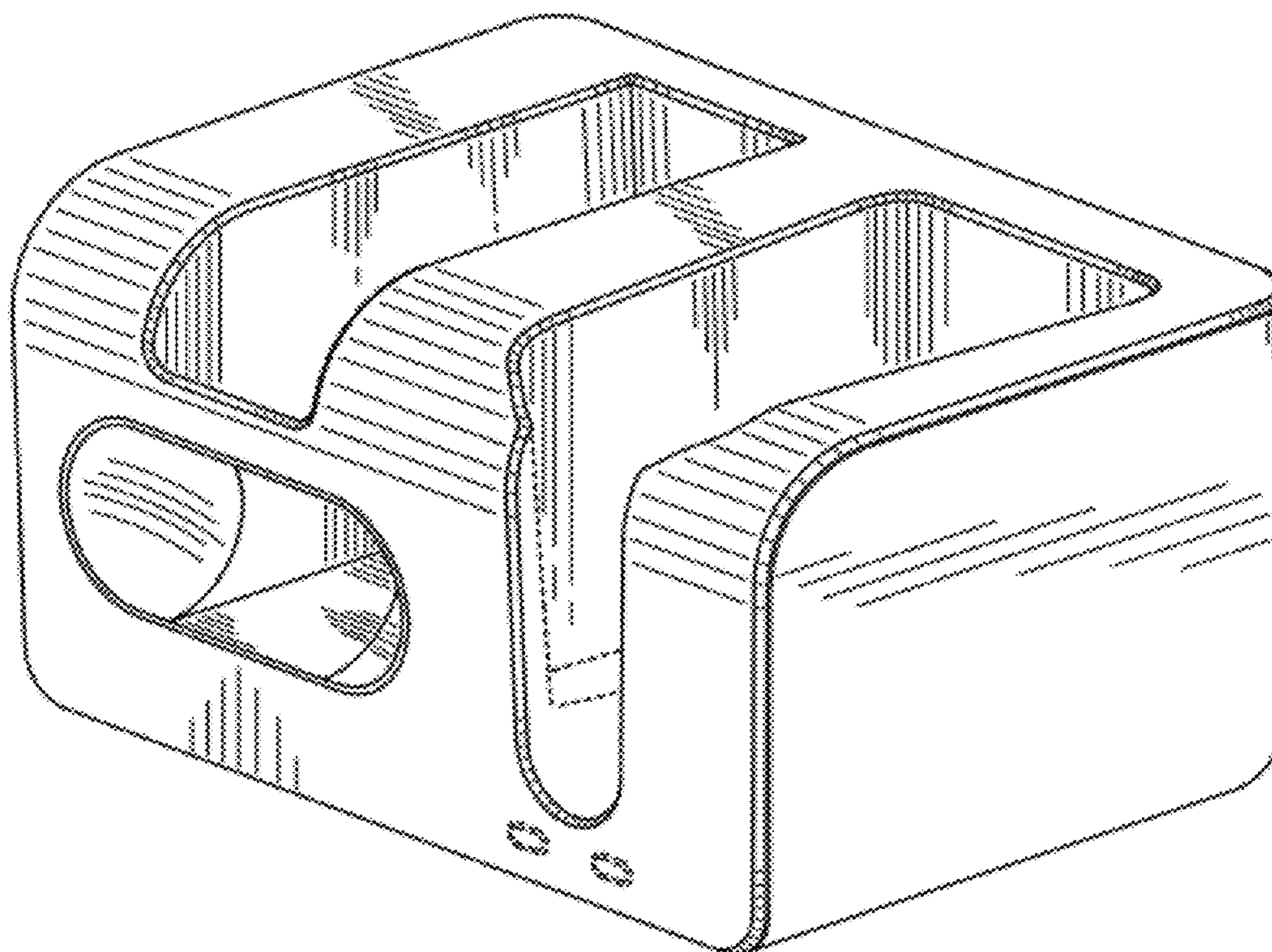


Figure 1

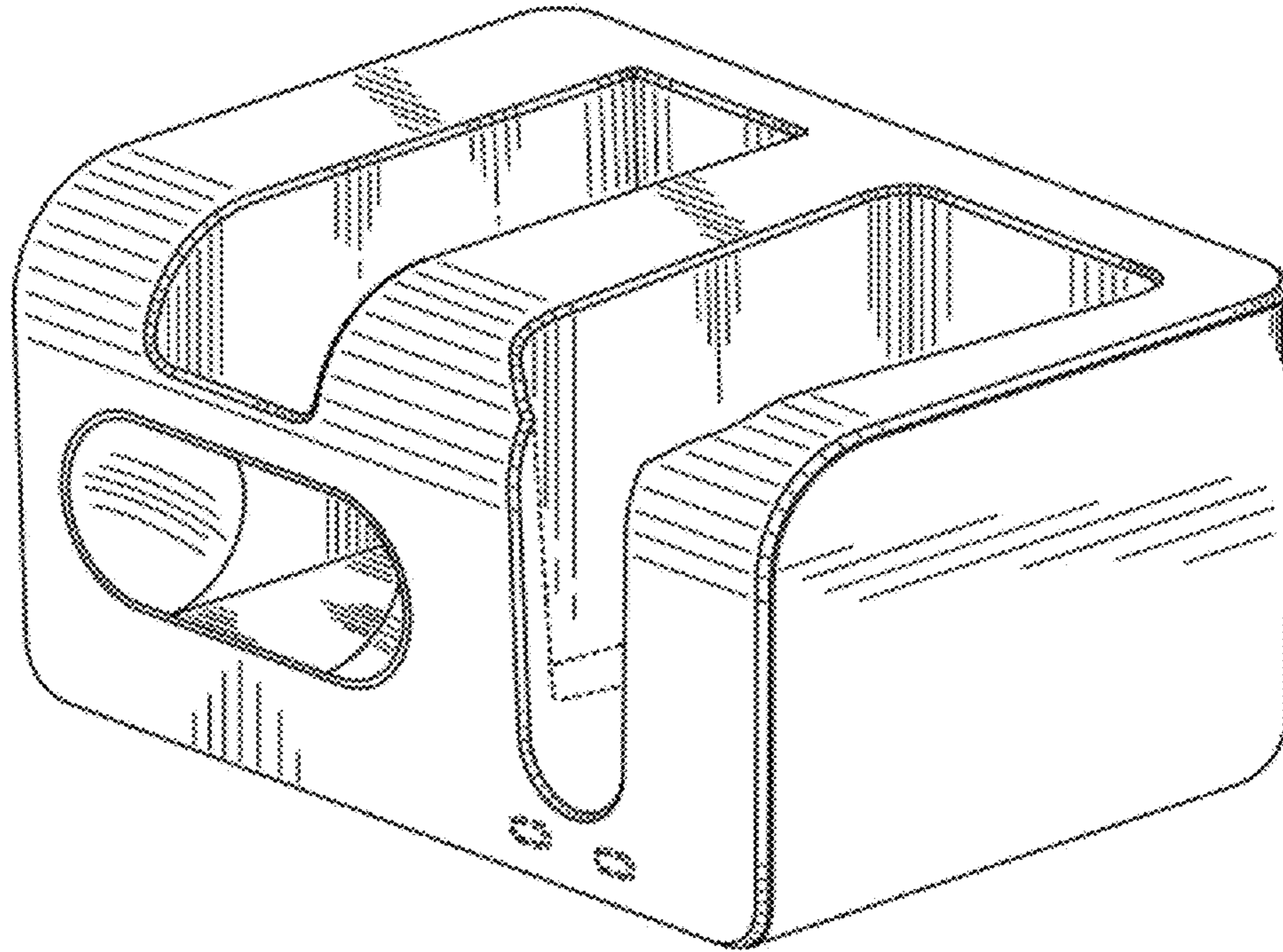


Figure 2

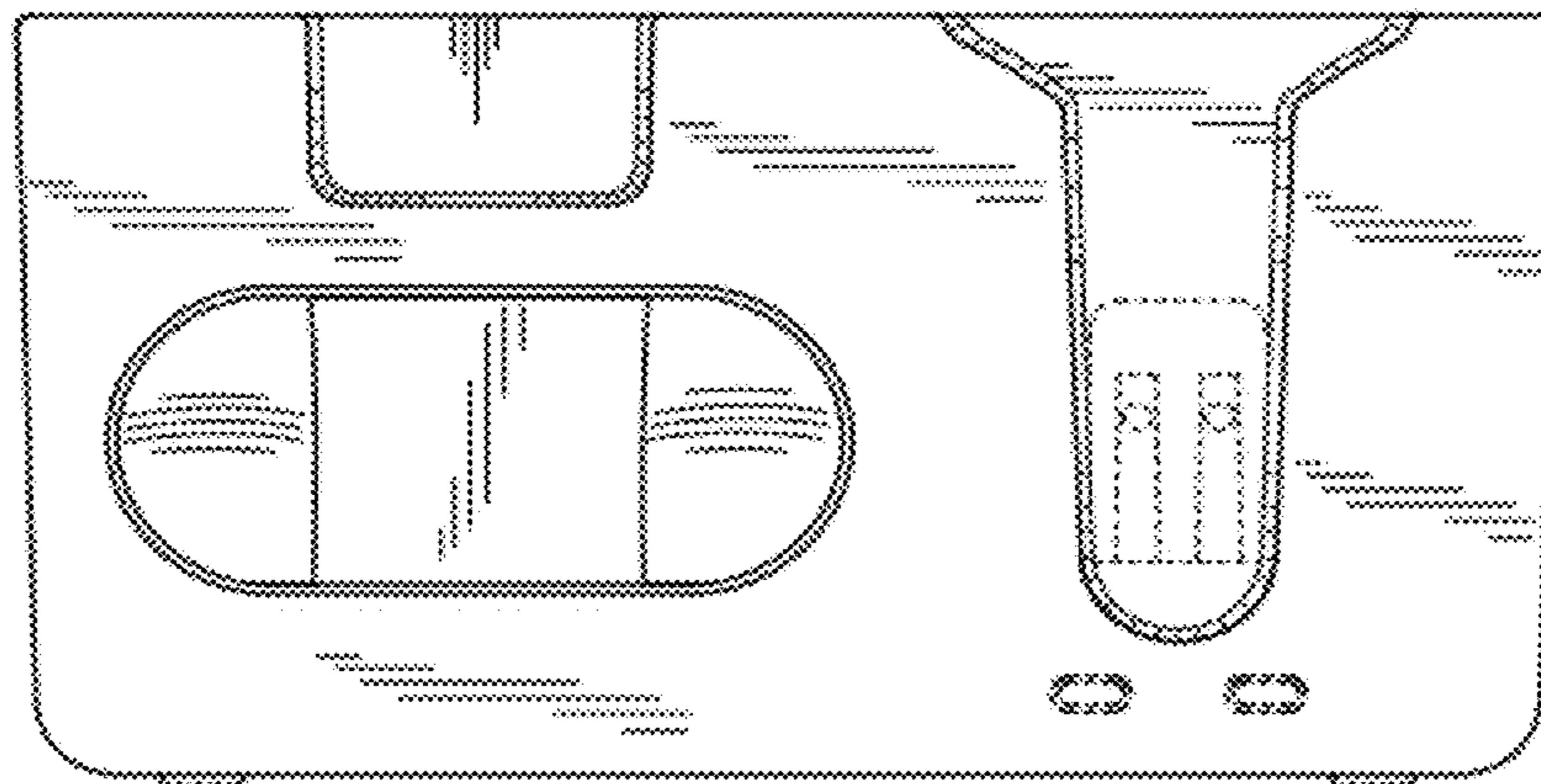


Figure 3

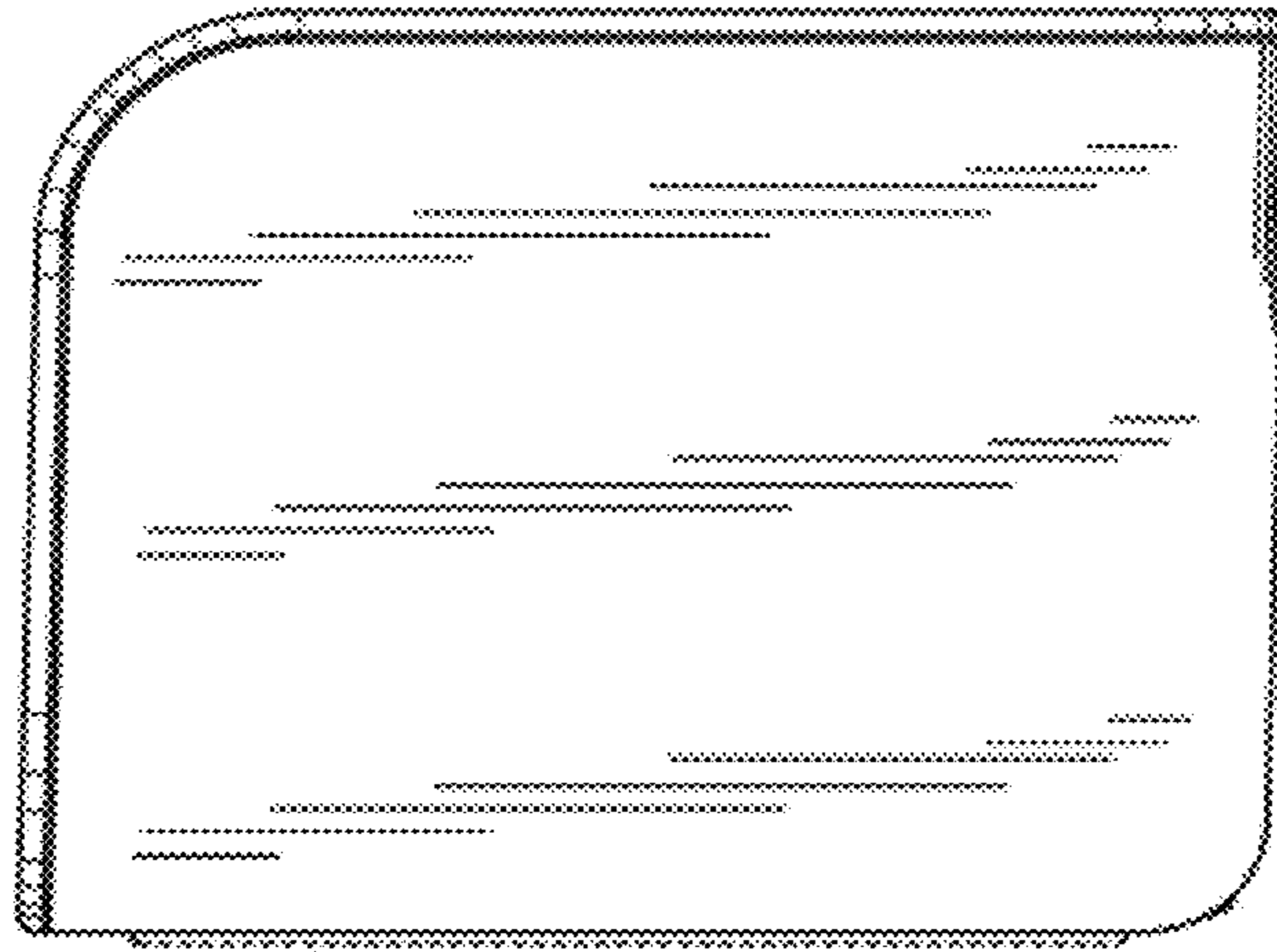


Figure 4

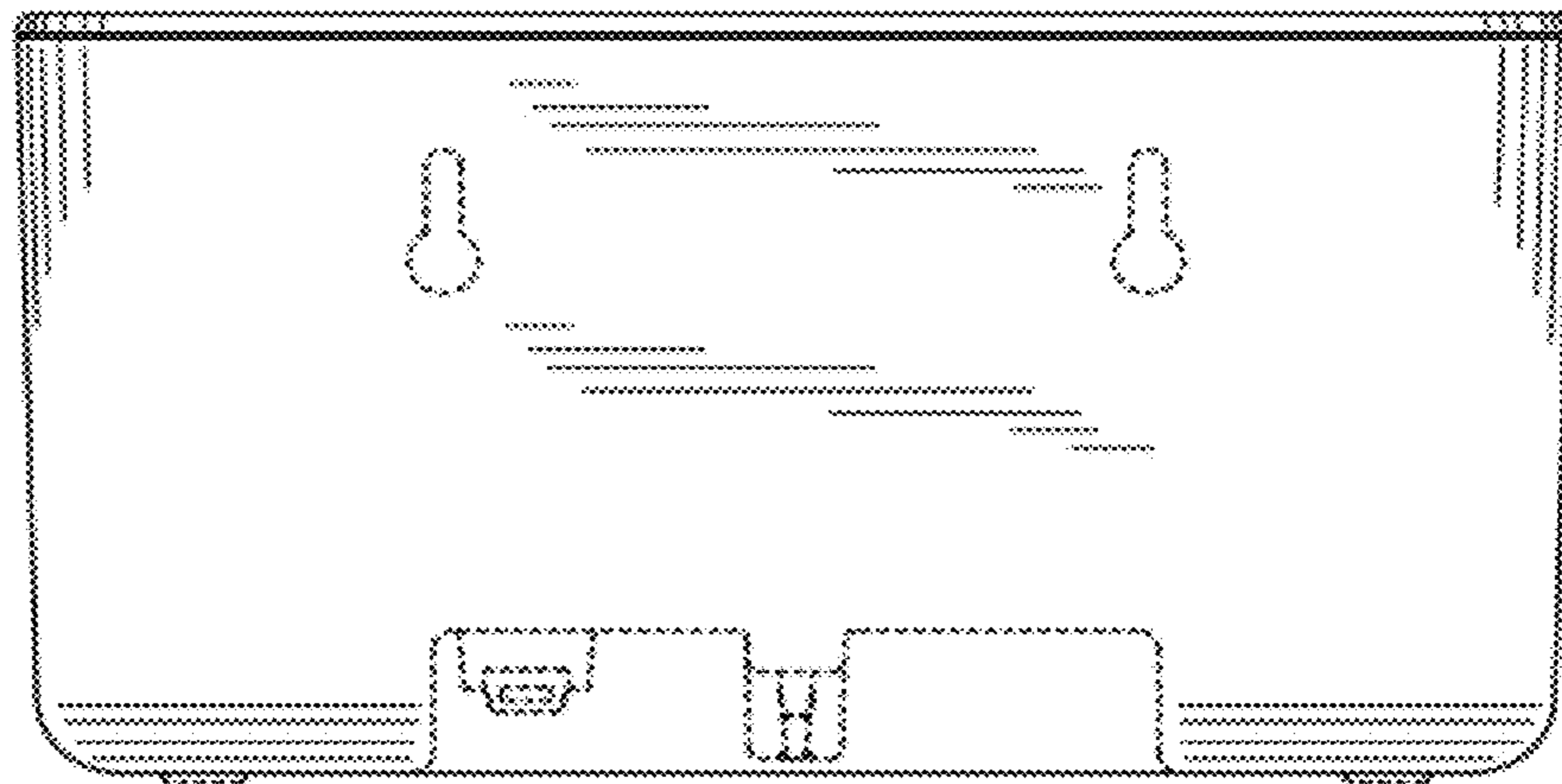


Figure 5

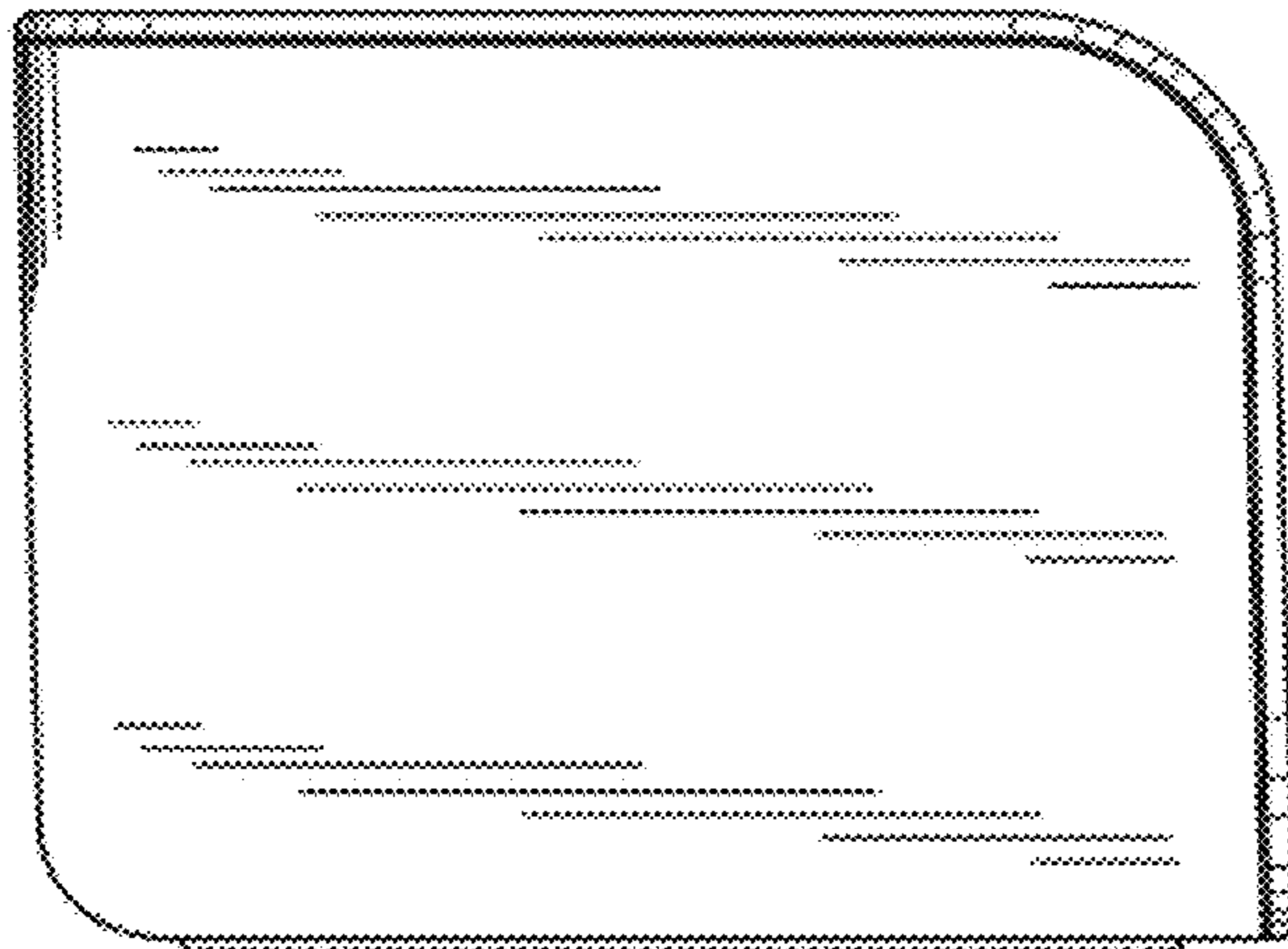


Figure 6

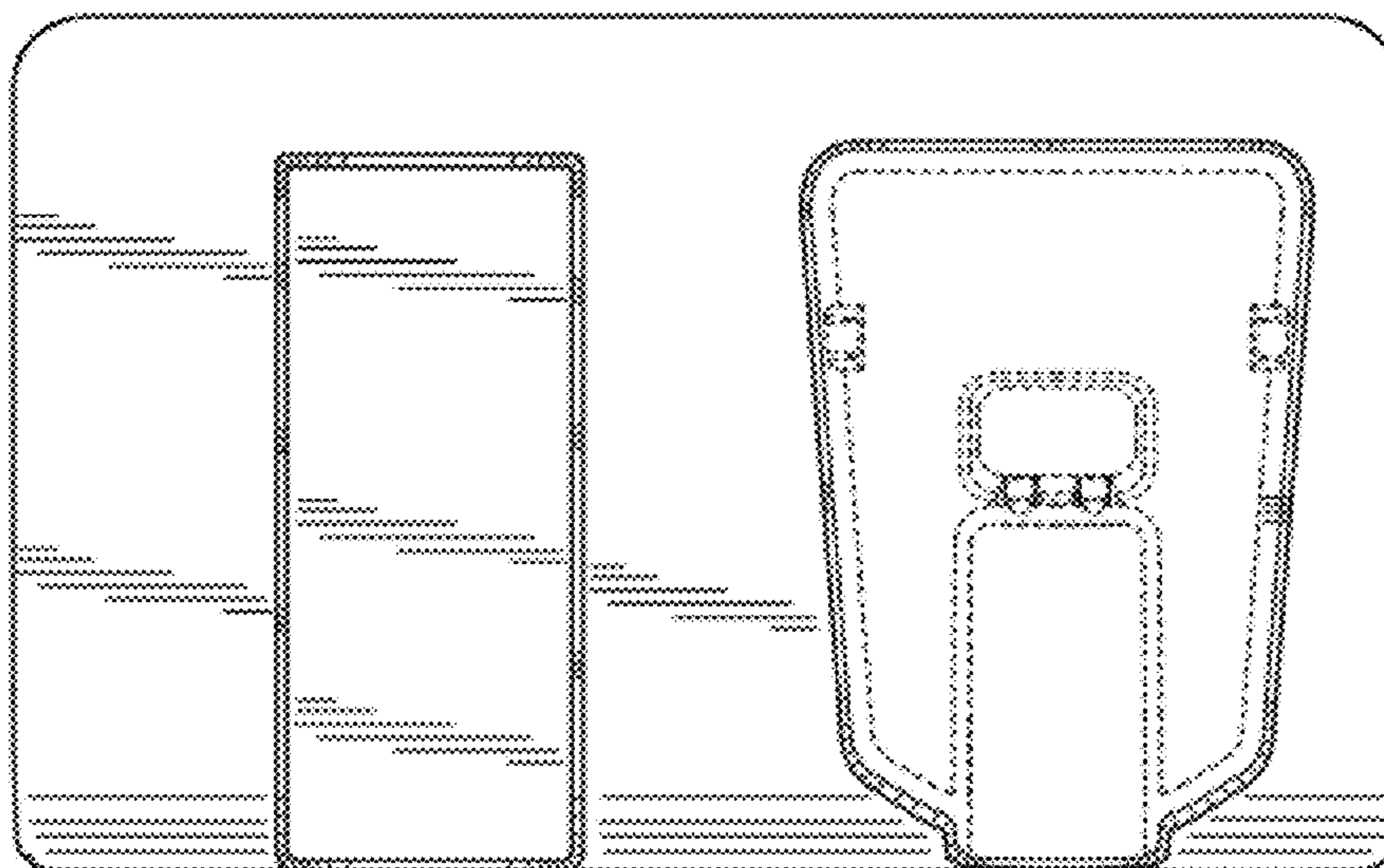


Figure 7

