



US00D675156S

(12) **United States Design Patent**
Vandiver et al.

(10) **Patent No.:** **US D675,156 S**
(45) **Date of Patent:** **** Jan. 29, 2013**

(54) **PORTABLE ELECTRONIC DEVICE
RECHARGER**

D641,695 S * 7/2011 Wegener et al. D13/108
D645,049 S * 9/2011 Faranda et al. D14/480.5
D645,050 S * 9/2011 Faranda et al. D14/480.5

(75) Inventors: **Jesse Vandiver**, Oxnard, CA (US);
Christopher McSweyn, Oxnard, CA
(US)

* cited by examiner

Primary Examiner — Rosemary K Tarcza

(73) Assignee: **Scosche Industries, Inc.**, Oxnard, CA
(US)

(74) *Attorney, Agent, or Firm* — Arent Fox LLP

(**) Term: **14 Years**

(57) **CLAIM**

The ornamental design for a portable electronic device recharger, as shown and described.

(21) Appl. No.: **29/406,702**

DESCRIPTION

(22) Filed: **Nov. 17, 2011**

FIG. 1 is a front perspective view of a portable electronic device recharger, according to one embodiment of the present invention;

(51) **LOC (9) Cl.** **13-02**

(52) **U.S. Cl.** **D13/108**

(58) **Field of Classification Search** D13/107–110,
D13/118–119, 184, 199; D14/251, 253,
D14/432, 434, 480.1, 480.3, 480.6, 480.7;
320/107–115

FIG. 2 is a front view of the portable electronic device recharger illustrated in FIG. 1, according to one embodiment of the present invention;

See application file for complete search history.

FIG. 3 is a back view of the portable electronic device recharger illustrated in FIG. 1, according to one embodiment of the present invention;

(56) **References Cited**

U.S. PATENT DOCUMENTS

5,859,523	A	*	1/1999	Nierescher et al.	320/111
D514,103	S	*	1/2006	Huang et al.	D14/480.6
D552,592	S	*	10/2007	Deguchi	D14/480.7
D580,354	S	*	11/2008	Dunbar et al.	D13/108
D600,693	S	*	9/2009	Maiers et al.	D14/480.6
7,746,029	B2	*	6/2010	Toya	320/107
D619,999	S	*	7/2010	Wu et al.	D14/240
D624,747	S	*	10/2010	McSweyn	D3/208
D628,153	S	*	11/2010	Fujii et al.	D13/108
D628,535	S	*	12/2010	Cheng	D13/108
7,868,589	B2	*	1/2011	McSweyn et al.	320/114
D632,648	S	*	2/2011	Yang	D13/108
D637,587	S	*	5/2011	Pan	D14/242
D639,789	S	*	6/2011	Kim et al.	D14/242
D639,790	S	*	6/2011	Kim	D14/242

FIG. 4 is a top view of the portable electronic device recharger illustrated in FIG. 1, according to one embodiment of the present invention;

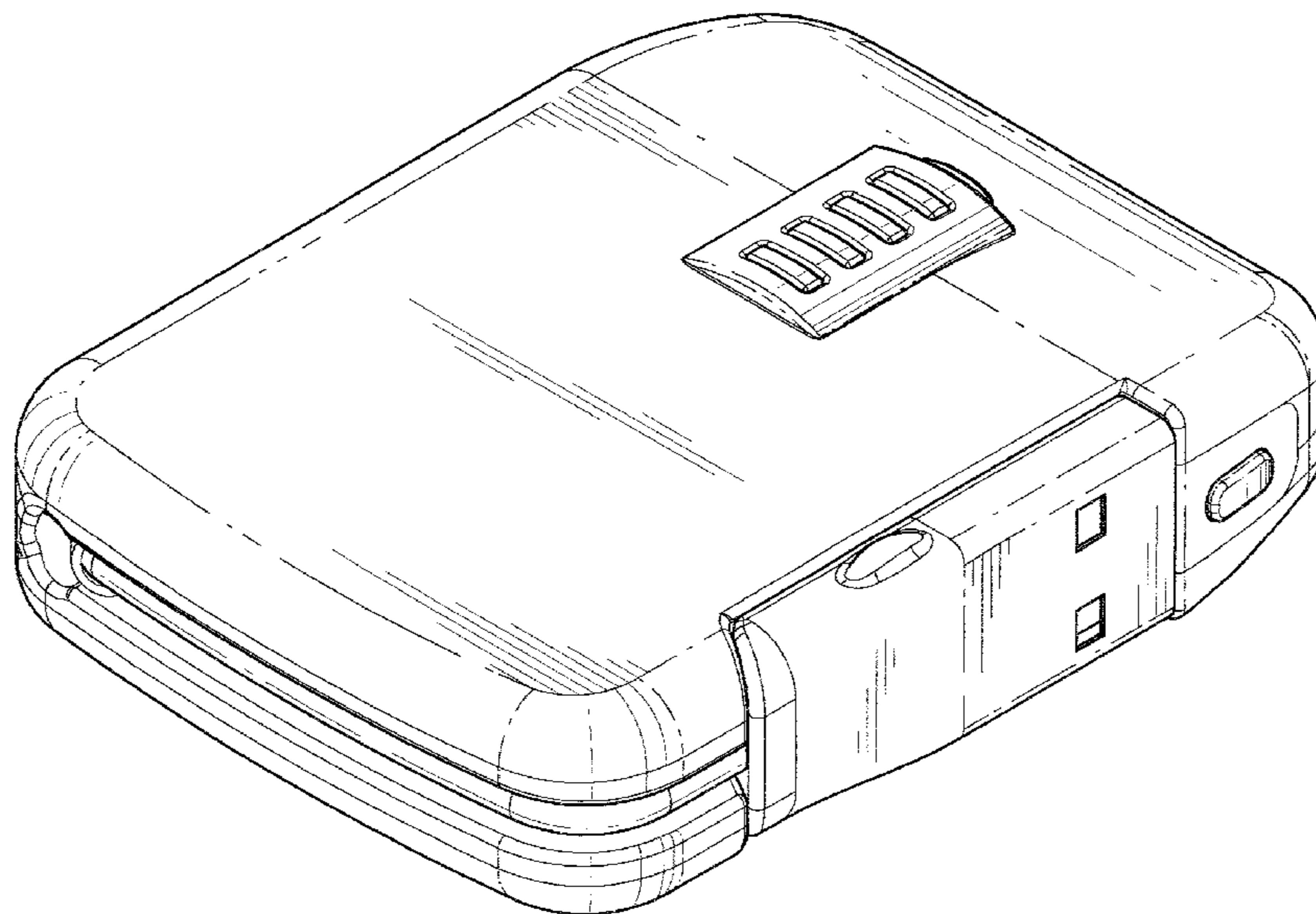
FIG. 5 is a bottom view of the portable electronic device recharger illustrated in FIG. 1, according to one embodiment of the present invention;

FIG. 6 is a right hand view of the portable electronic device recharger illustrated in FIG. 1, according to one embodiment of the present invention; and,

FIG. 7 is a left hand view of the portable electronic device recharger illustrated in FIG. 1, according to one embodiment of the present invention.

The broken lines shown in the drawings are included for the purpose of illustrating environmental structure and form no part of the claimed design.

1 Claim, 5 Drawing Sheets



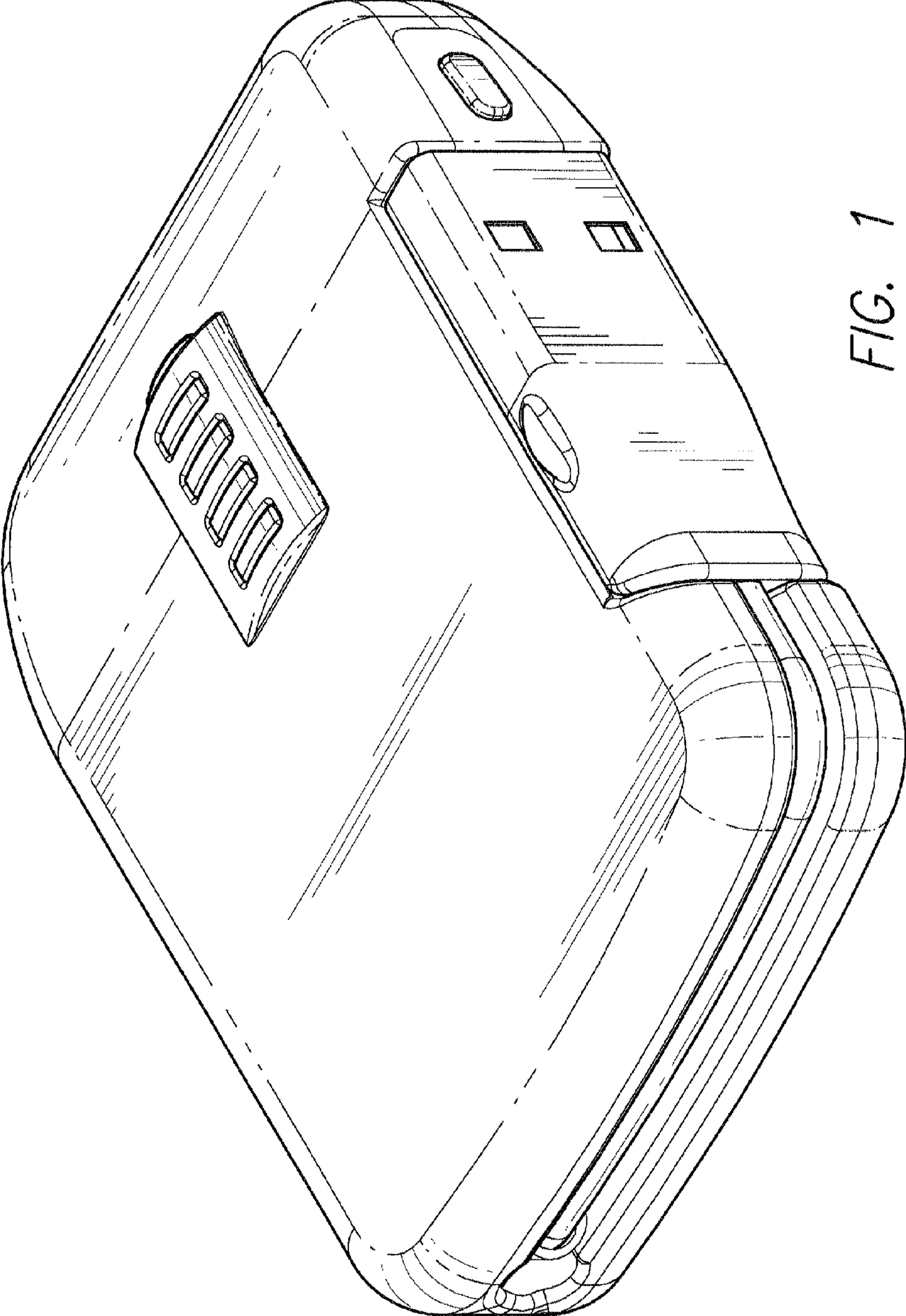


FIG. 1

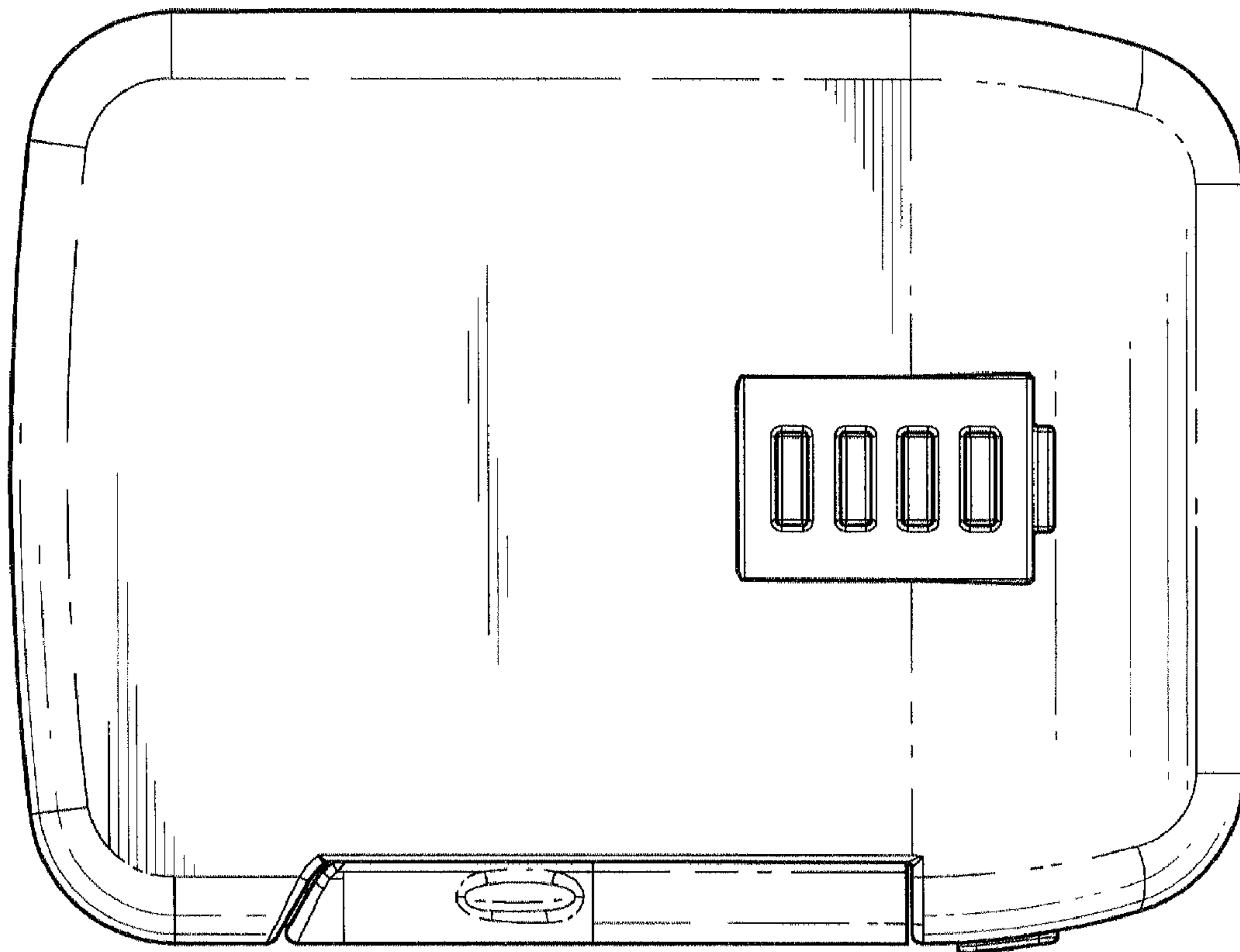


FIG. 2

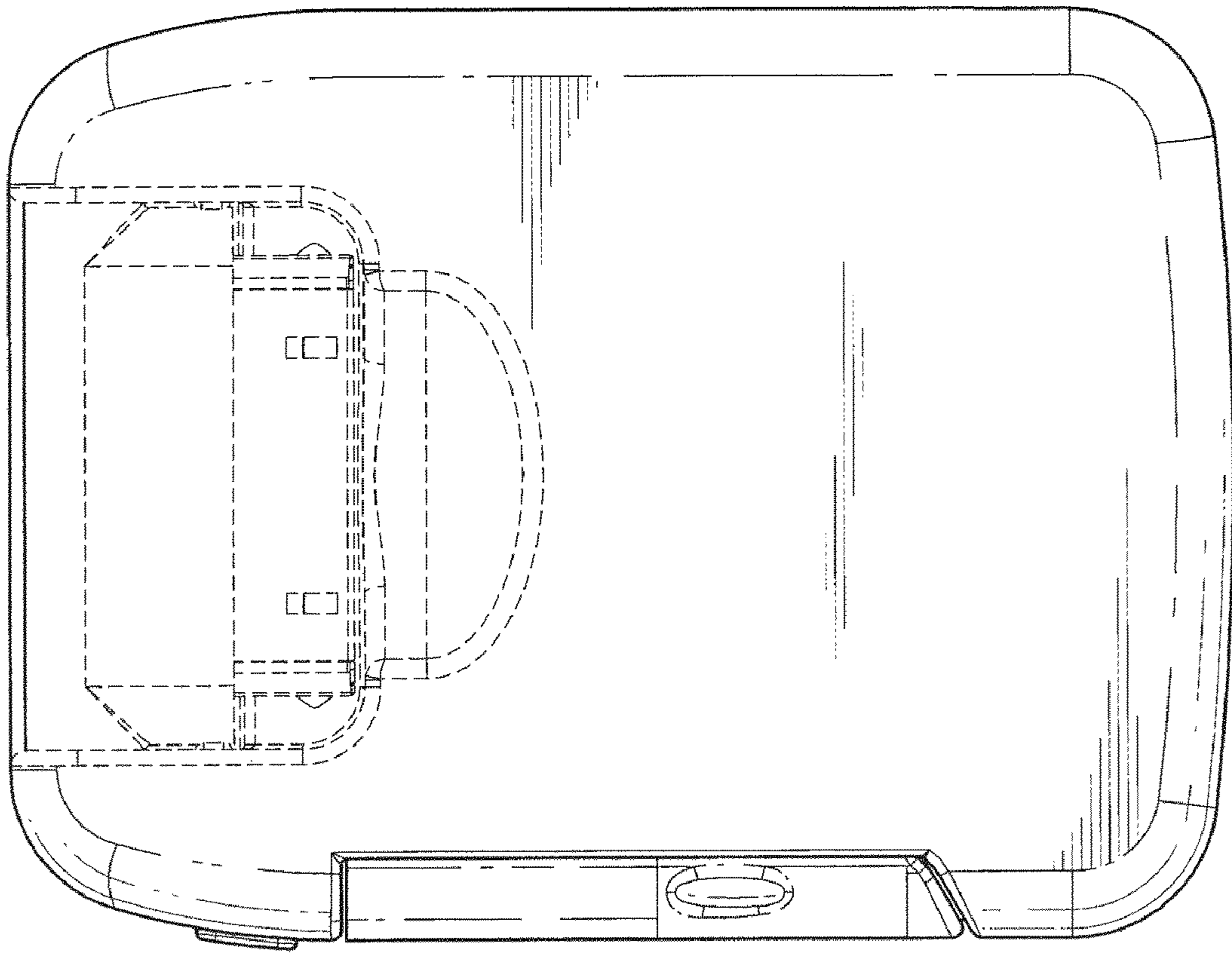


FIG. 3

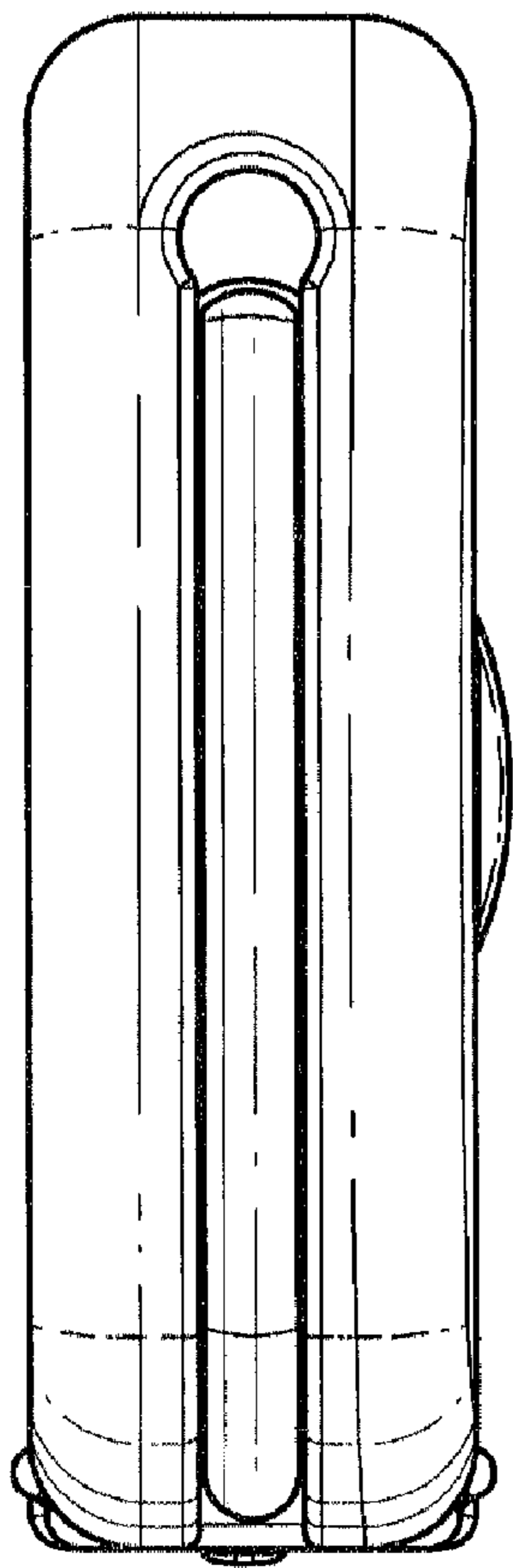


FIG. 4

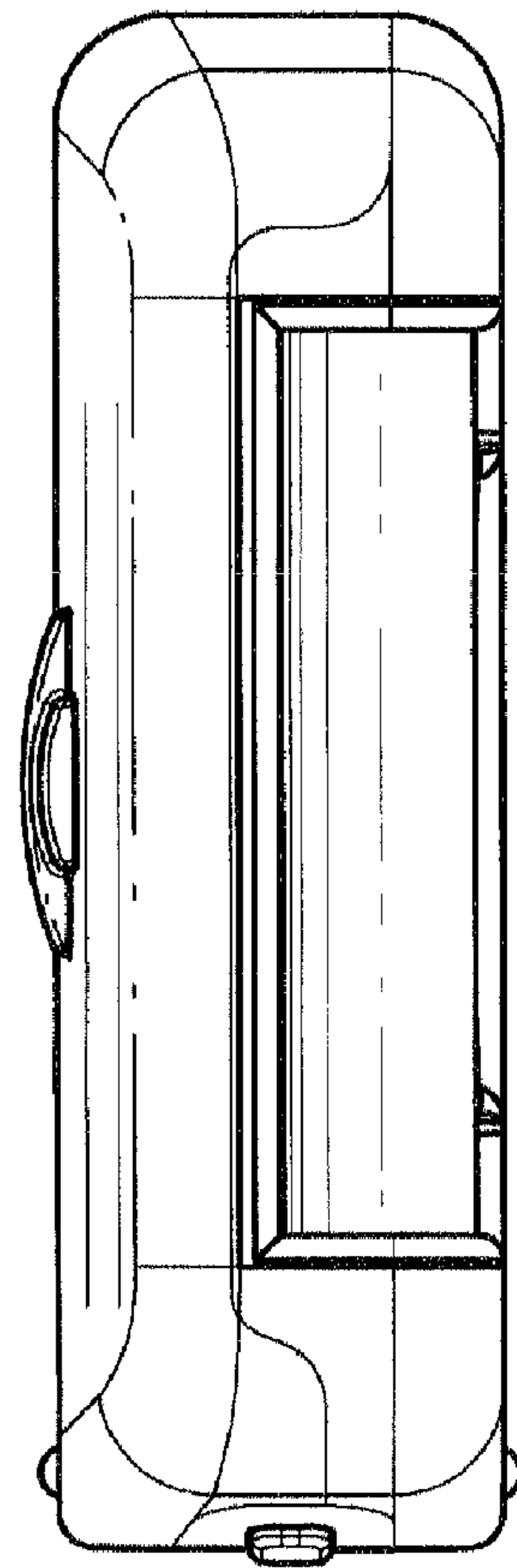


FIG. 5

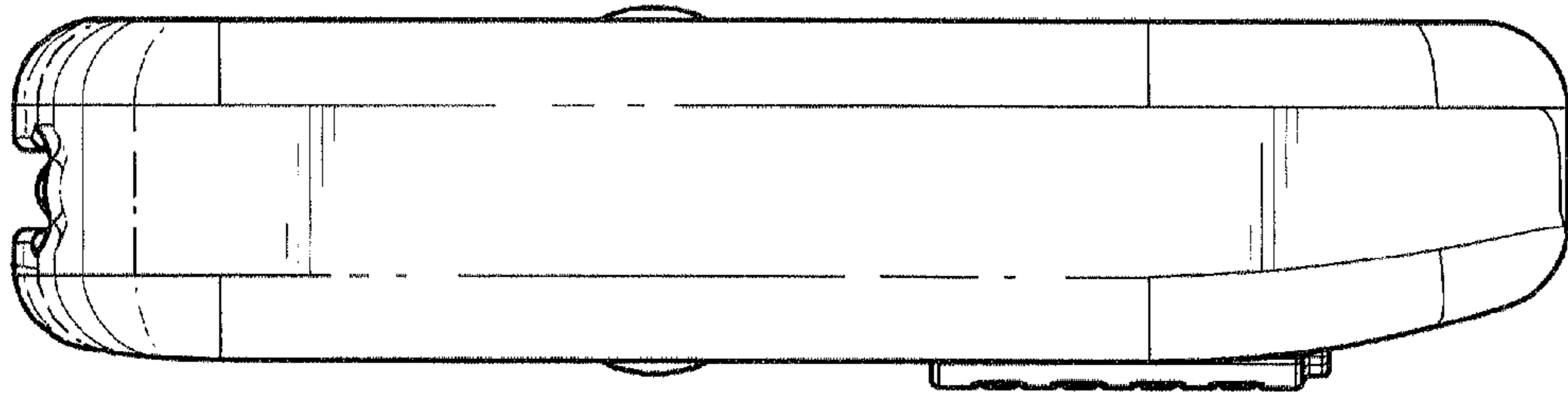


FIG. 6

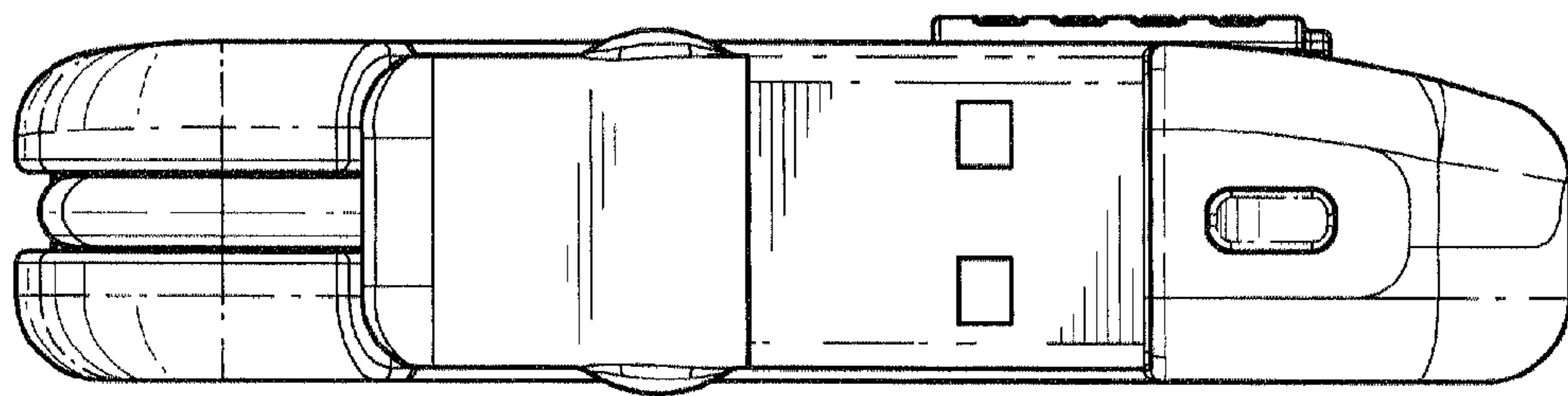


FIG. 7