



US00D675155S

(12) **United States Design Patent**  
**Smith et al.**

(10) **Patent No.:** **US D675,155 S**  
(45) **Date of Patent:** **\*\* Jan. 29, 2013**

(54) **CHARGING DOCK**  
(75) Inventors: **Dustin Jonathan Smith**, Waterloo (CA);  
**Todd Andrew Wood**, Toronto (CA);  
**Anders Fahrendorff**, Ottawa (CA)

D610,984 S \* 3/2010 Khan et al. .... D13/108  
D631,006 S \* 1/2011 Fahrendorff ..... D13/108  
D631,010 S \* 1/2011 Smith et al. .... D13/108  
D633,038 S \* 2/2011 Fahrendorff et al. .... D13/108  
D656,930 S \* 4/2012 Son ..... D14/253  
D662,470 S \* 6/2012 Smith et al. .... D13/108

(73) Assignee: **Research In Motion Limited**, Waterloo,  
Ontario (CA)

\* cited by examiner

(\*\*) Term: **14 Years**

*Primary Examiner* — Rosemary K Tarcza

(21) Appl. No.: **29/400,967**

(57) **CLAIM**  
We claim the ornamental design for a charging dock, as shown and described.

(22) Filed: **Sep. 2, 2011**

**DESCRIPTION**

(51) **LOC (9) Cl.** ..... **13-02**

(52) **U.S. Cl.** ..... **D13/108**

(58) **Field of Classification Search** ..... D13/106–110,  
D13/118–119, 184, 199; D14/251, 253,  
D14/432, 434; 320/107–115  
See application file for complete search history.

FIG. 1 is a front perspective view of a charging dock;  
FIG. 2 is a back bottom perspective view of the charging dock;  
FIG. 3 is a top plan view thereof;  
FIG. 4 is a bottom plan view thereof;  
FIG. 5 is a left elevational view thereof;  
FIG. 6 is a right elevational view thereof;  
FIG. 7 is a back elevational view thereof; and,  
FIG. 8 is a front elevational view thereof.

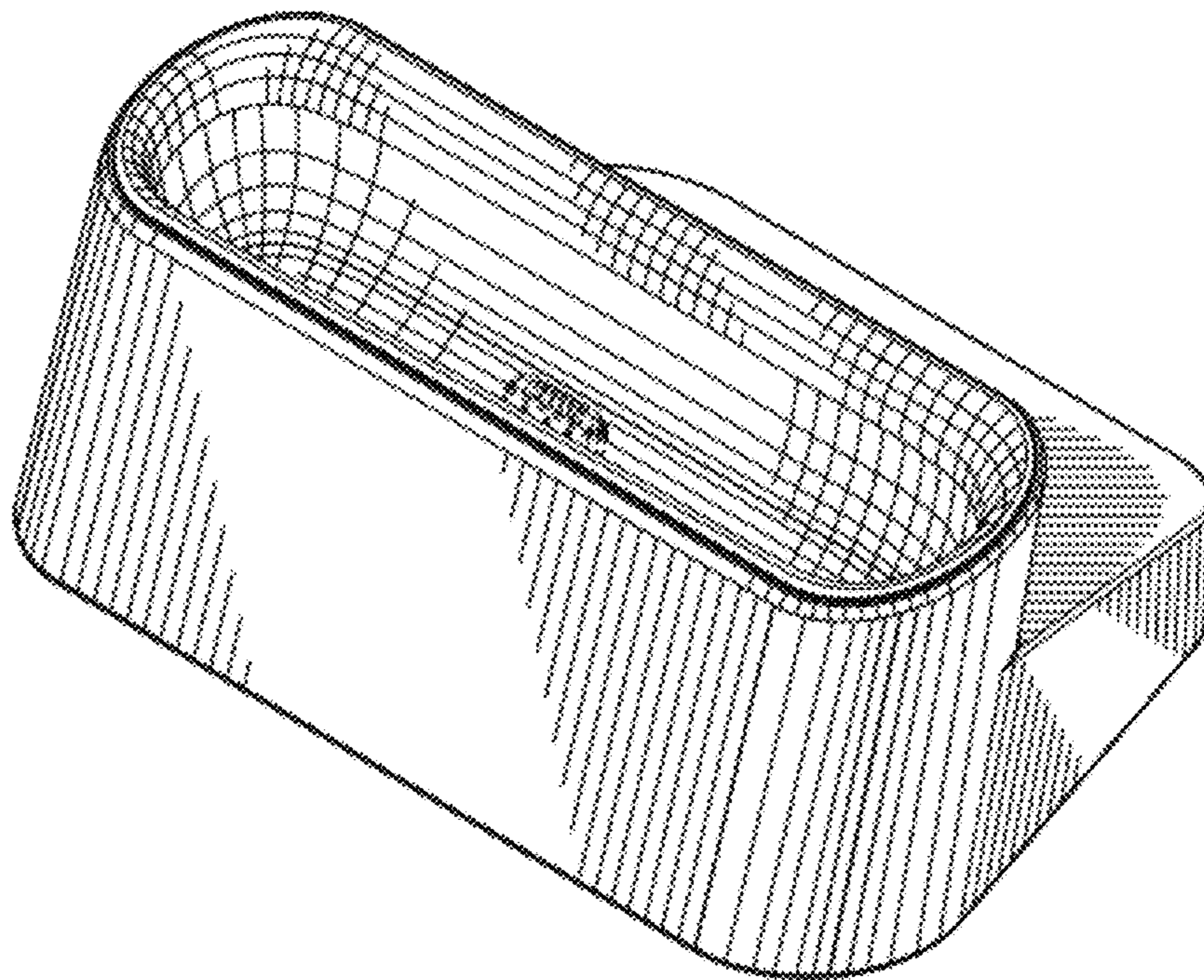
The broken lines shown in the drawings of the charging dock are for the purpose of illustrating portions of the article and form no part of the claimed design.

(56) **References Cited**

**U.S. PATENT DOCUMENTS**

D411,835 S \* 7/1999 Mizusugi et al. .... D14/434  
D523,847 S \* 6/2006 Naruki ..... D14/224.1  
D535,615 S \* 1/2007 Iwai ..... D13/108  
D564,959 S \* 3/2008 Heine et al. .... D13/107  
D575,786 S \* 8/2008 Solomon et al. .... D14/434  
D603,333 S \* 11/2009 Fahrendorff et al. .... D13/107

**1 Claim, 6 Drawing Sheets**



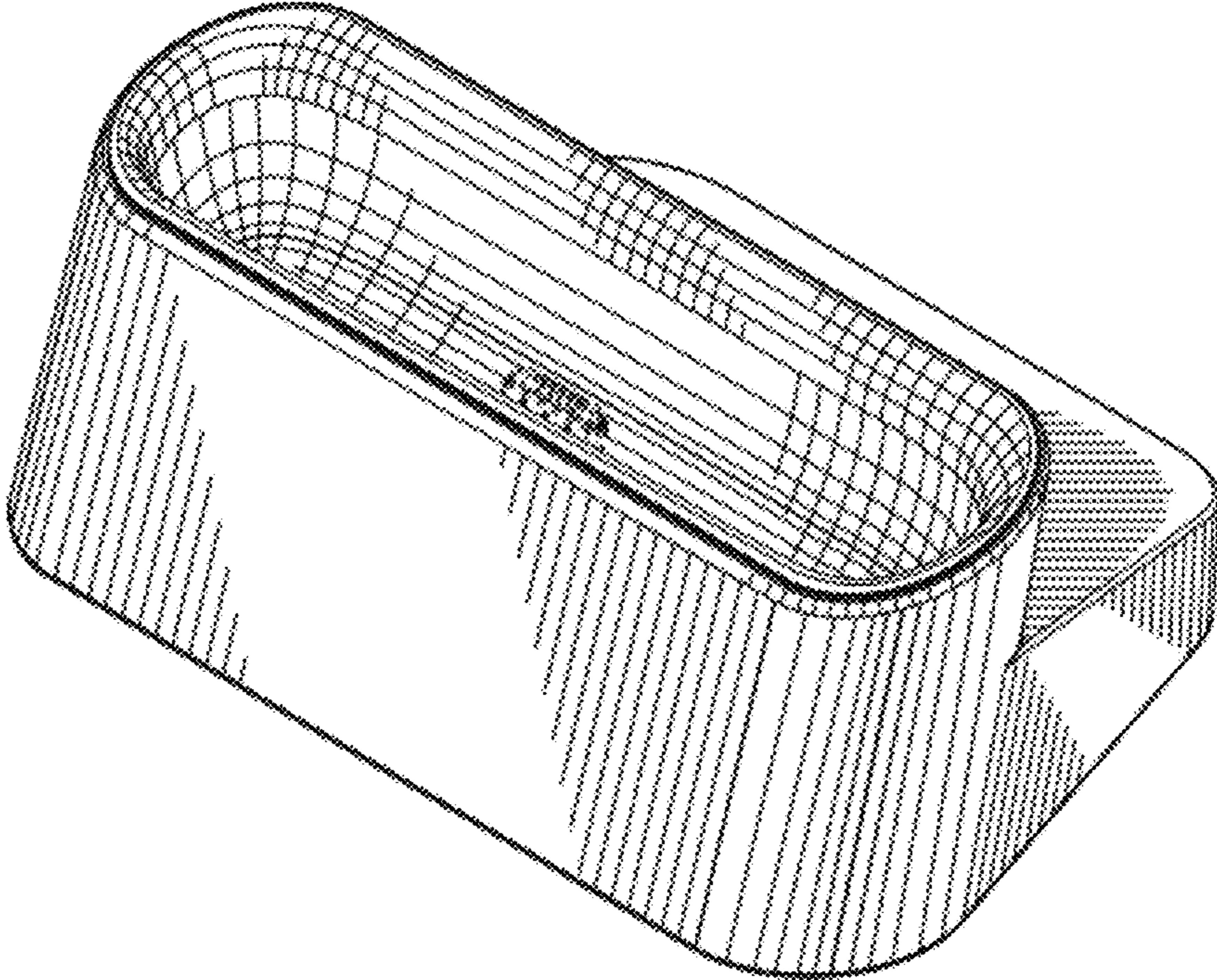


FIG.1

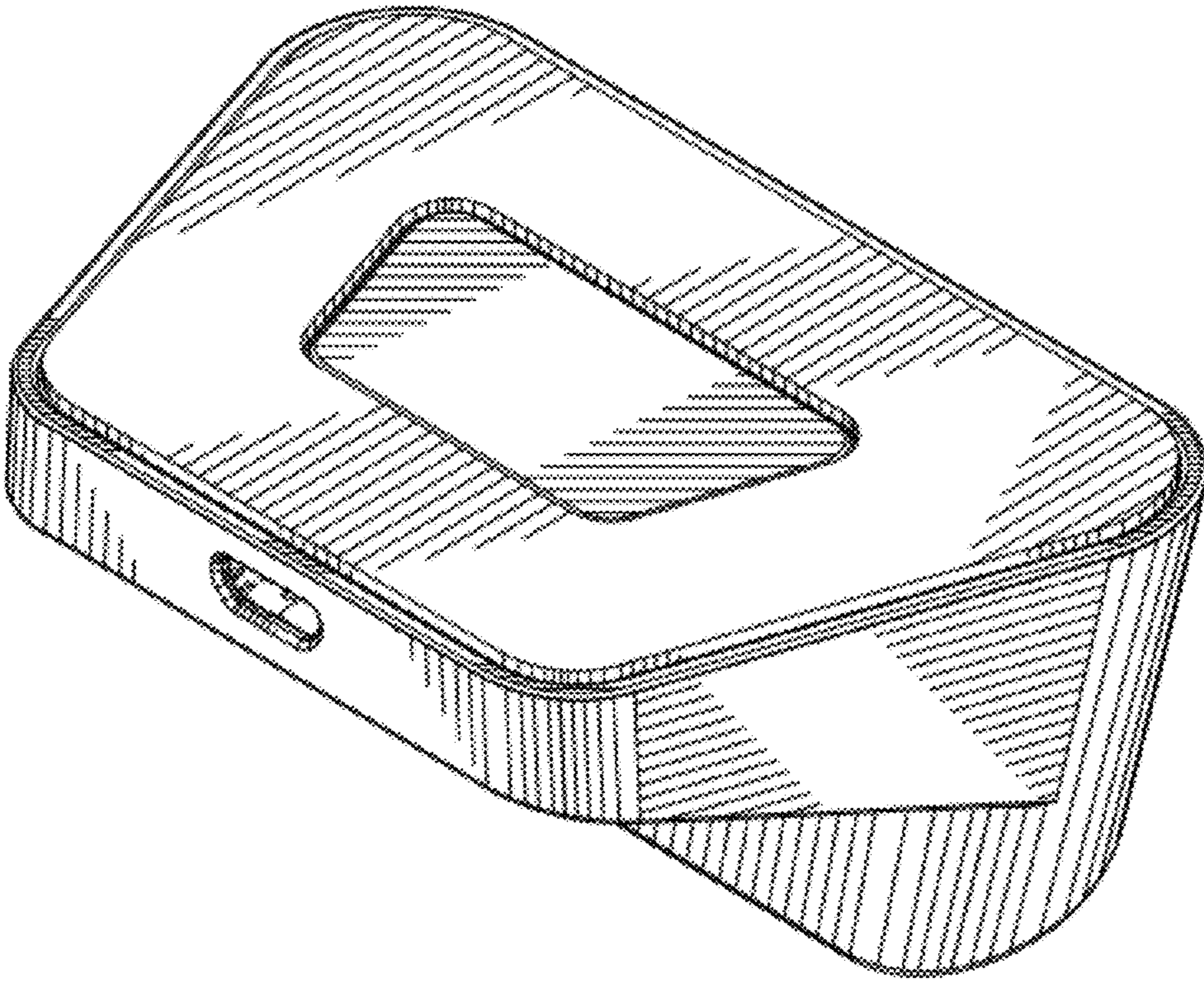


FIG.2

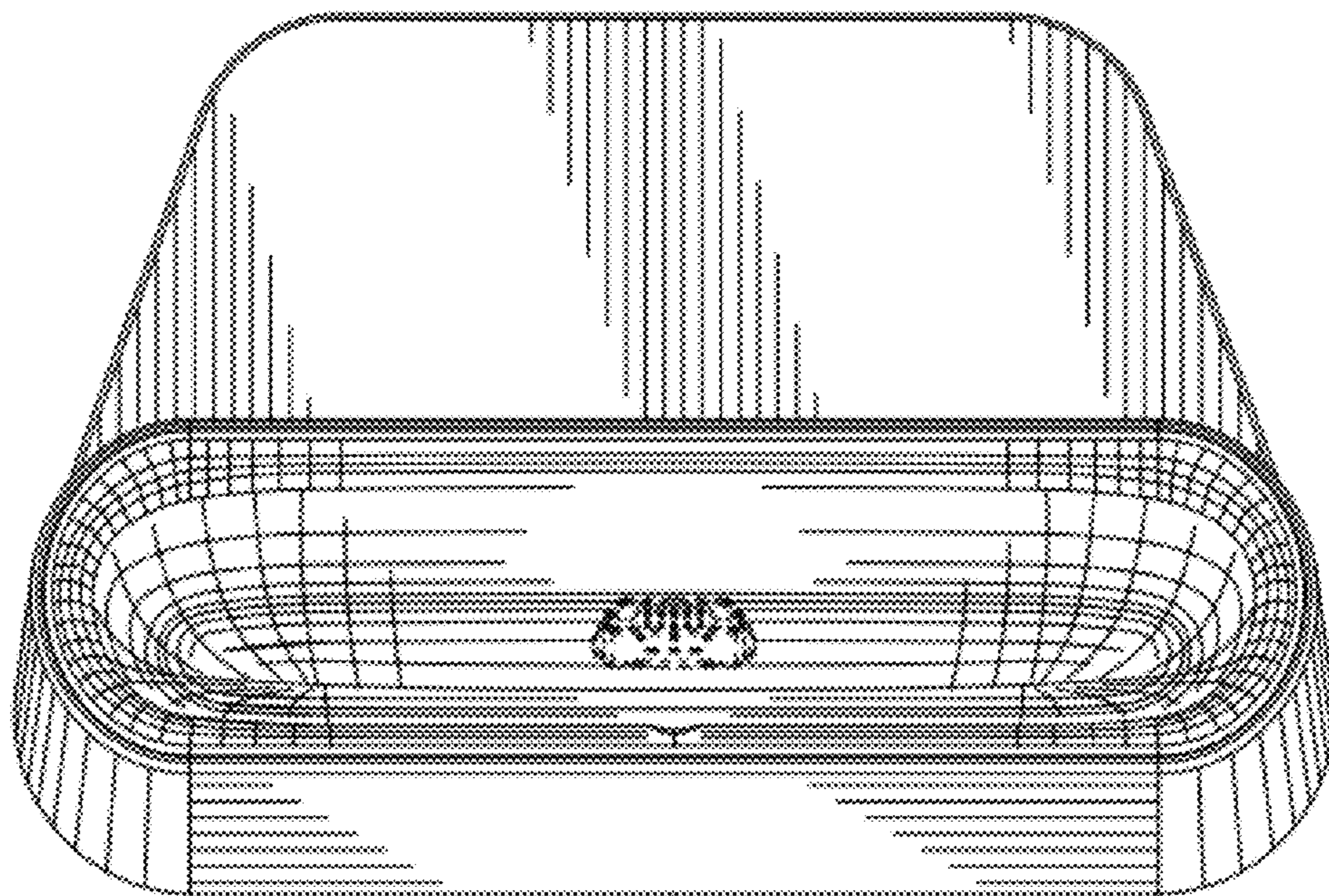


FIG.3

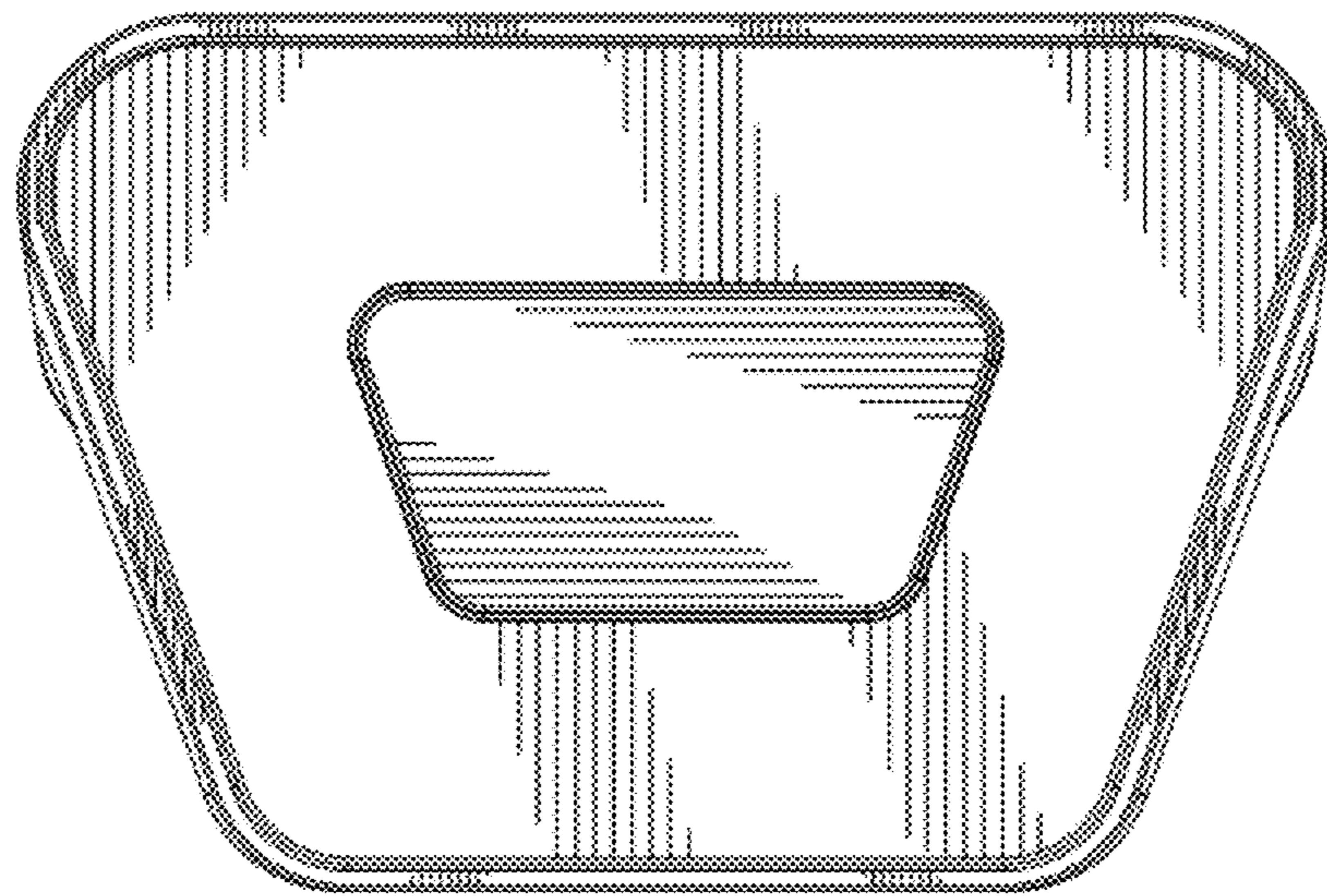


FIG.4

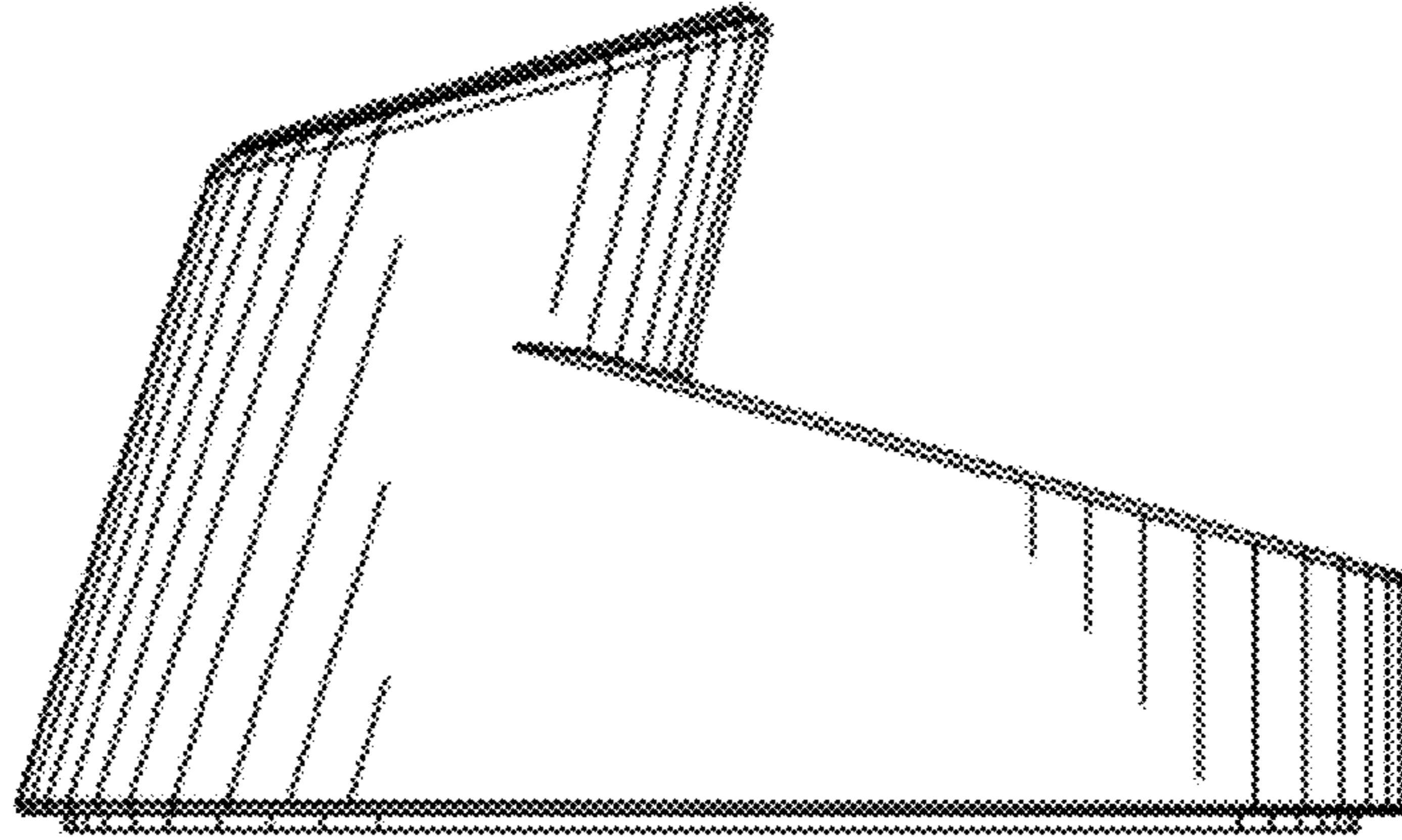


FIG. 5

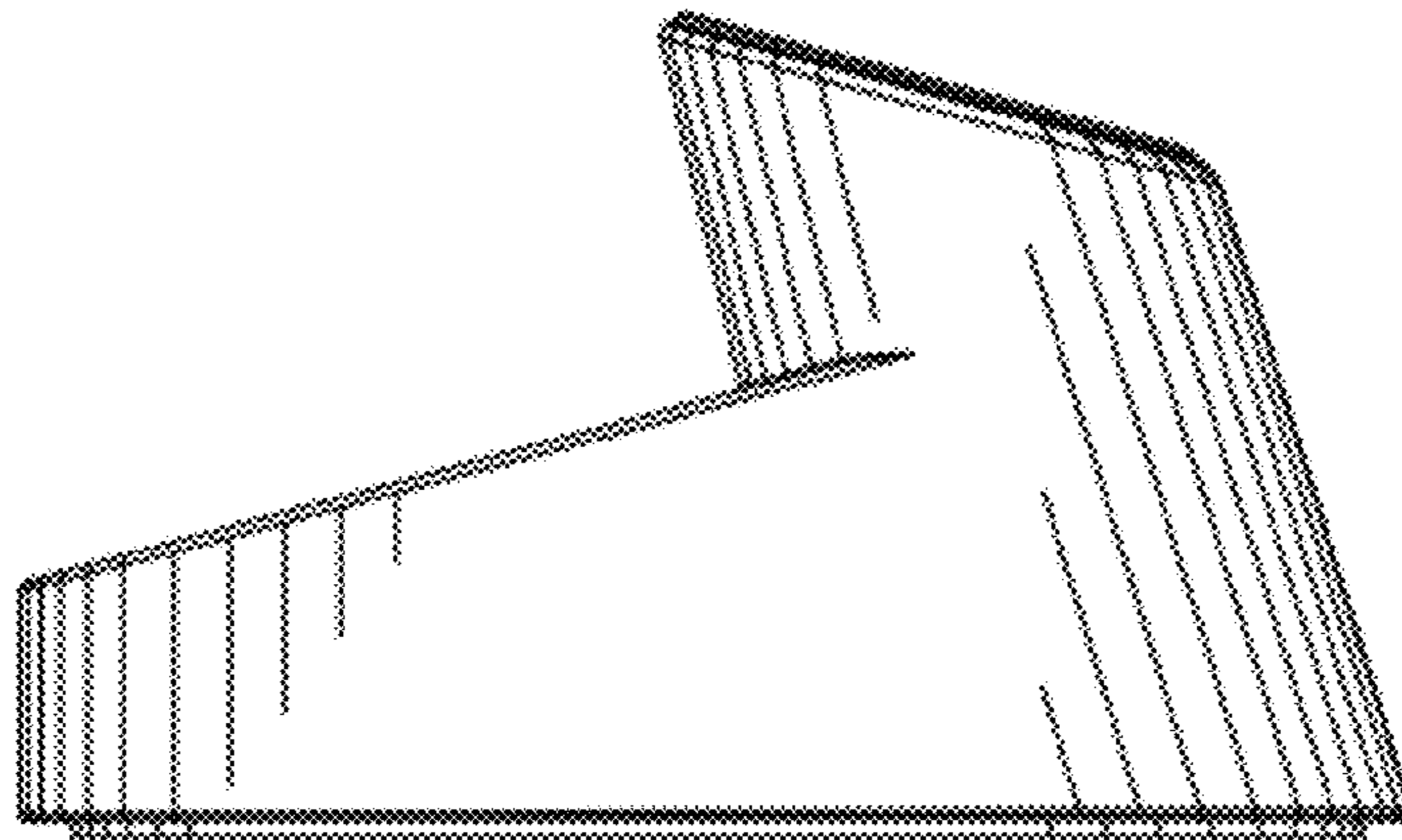


FIG. 6

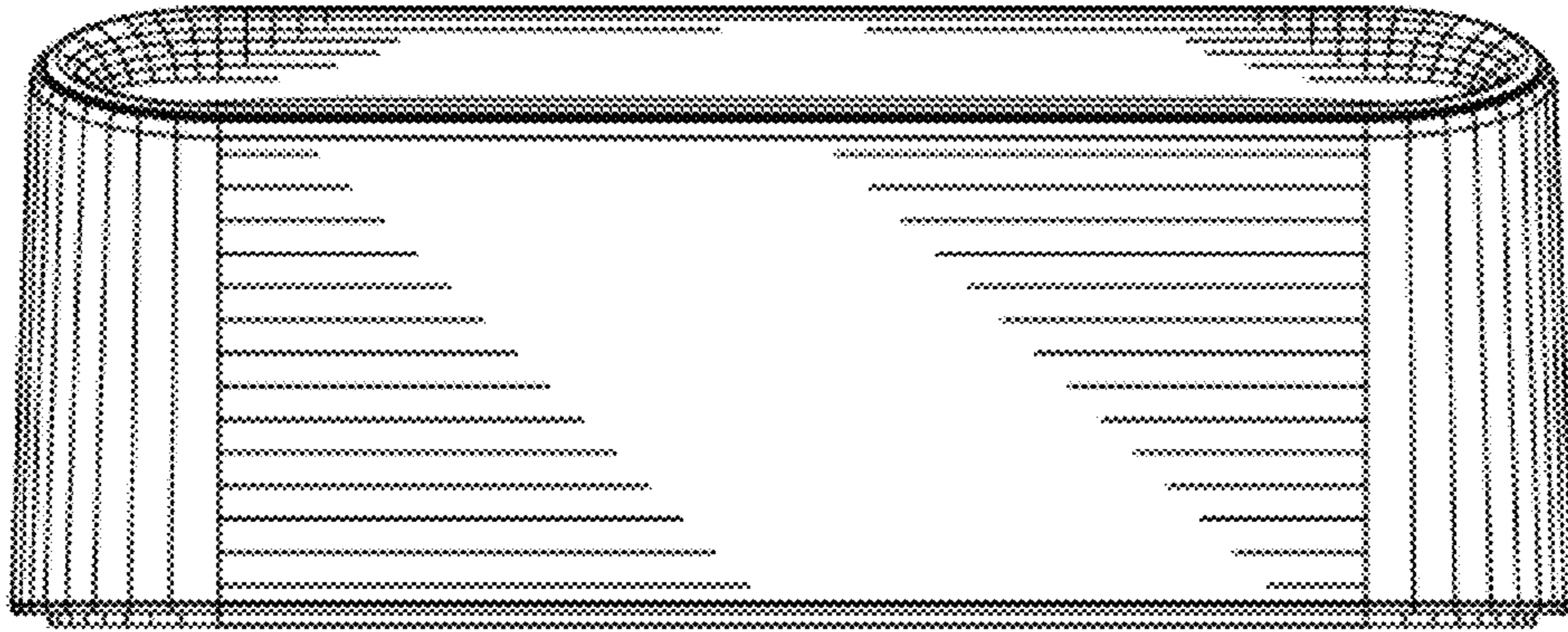


FIG. 7

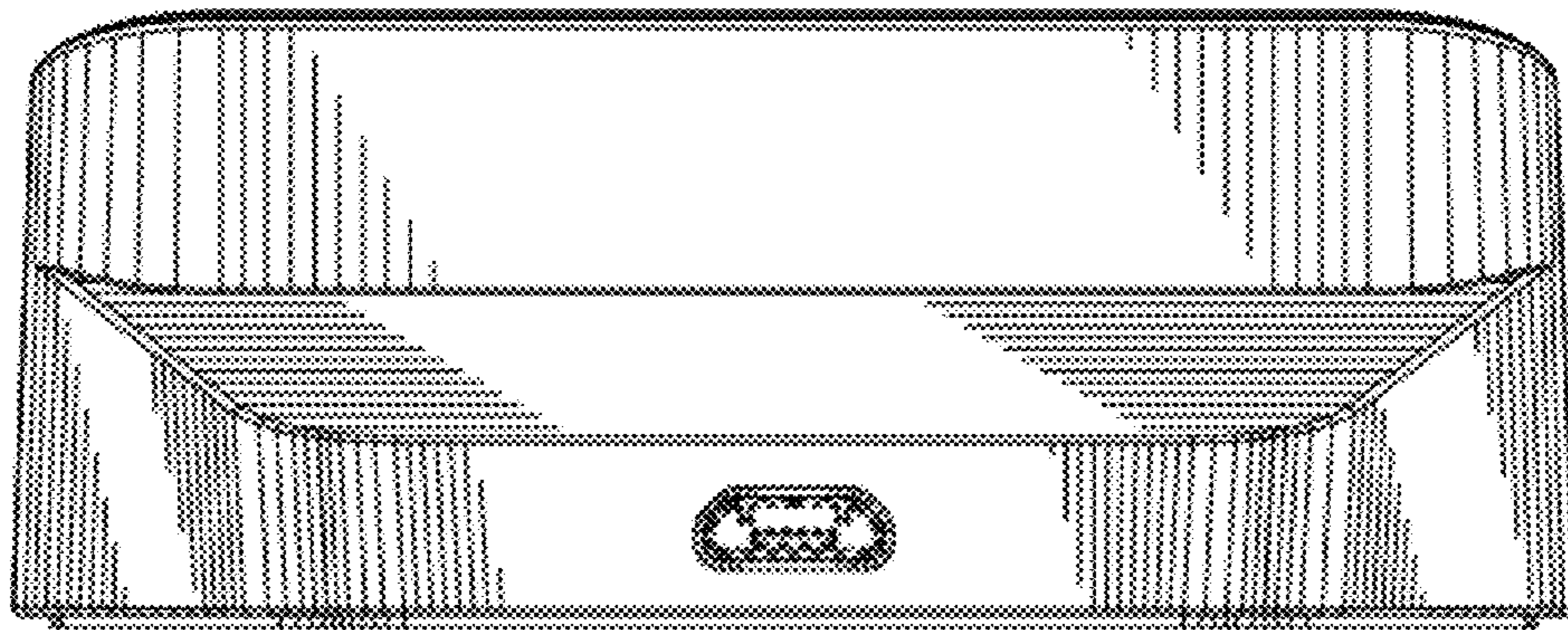


FIG. 8