



US00D675154S

(12) **United States Design Patent**  
**Nam et al.**

(10) **Patent No.:** **US D675,154 S**  
(45) **Date of Patent:** **\*\* Jan. 29, 2013**

(54) **CHARGER FOR ROBOT CLEANER**

(75) Inventors: **Bohyun Nam**, Seoul (KR); **Sanghun Kim**, Gyeonggi-do (KR); **Jinju Kim**, Gyeonggi-do (KR); **Hyoungwon Roh**, Seoul (KR); **Sojin Park**, Seoul (KR)

(73) Assignee: **LG Electronics Inc.**, Seoul (KR)

(\*\*) Term: **14 Years**

(21) Appl. No.: **29/386,166**

(22) Filed: **Feb. 25, 2011**

(30) **Foreign Application Priority Data**

Aug. 31, 2010 (KR) ..... 30-2010-0038178

(51) **LOC (9) Cl.** ..... **13-02**

(52) **U.S. Cl.** ..... **D13/108**

(58) **Field of Classification Search** ..... D13/107-110,  
D13/118-119, 184; D14/251, 253, 432,  
D14/434; 320/107-115

See application file for complete search history.

(56) **References Cited**

**U.S. PATENT DOCUMENTS**

D474,735 S \* 5/2003 Lee ..... D13/108  
D547,319 S \* 7/2007 Chang ..... D14/454  
7,332,890 B2 \* 2/2008 Cohen et al. .... 320/109

D588,059 S \* 3/2009 Fujita et al. .... D13/108  
D639,237 S \* 6/2011 Lee et al. .... D13/108  
D639,735 S \* 6/2011 Lee et al. .... D13/108  
D645,847 S \* 9/2011 Chau ..... D14/217  
2003/0094922 A1 \* 5/2003 Petersson et al. .... 320/109  
2007/0267998 A1 \* 11/2007 Cohen et al. .... 320/109  
2011/0089891 A1 \* 4/2011 Pai ..... 320/107  
2012/0049798 A1 \* 3/2012 Cohen et al. .... 320/109  
2012/0104995 A1 \* 5/2012 Woo et al. .... 320/107

\* cited by examiner

*Primary Examiner* — Rosemary K Tarcza

(74) *Attorney, Agent, or Firm* — Morgan, Lewis & Bockius LLP

(57) **CLAIM**

The ornamental design for a charger for robot cleaner, as shown and described.

**DESCRIPTION**

FIG. 1 is a perspective view of a charger for robot cleaner showing our new design;  
FIG. 2 is a front view thereof;  
FIG. 3 is a rear view thereof;  
FIG. 4 is a left side view thereof where the right side view is a mirror image;  
FIG. 5 is a top plan view thereof;  
FIG. 6 is a bottom plan view thereof; and,  
FIG. 7 is a perspective view showing the usage of this charger for robot cleaner.

The broken line portions shown in the drawings are for illustrative purposes only and form no part of the claimed design.

**1 Claim, 7 Drawing Sheets**

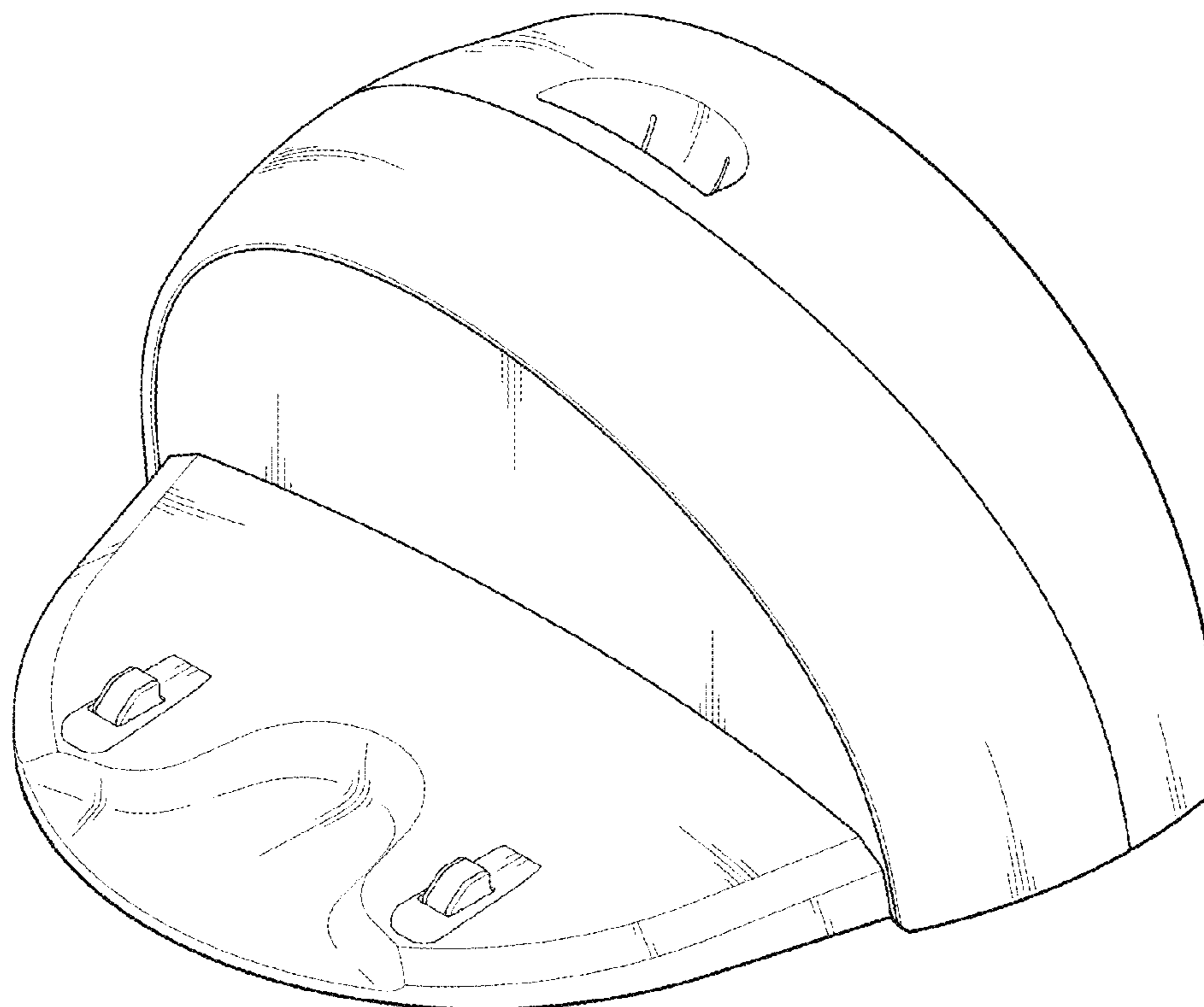


FIG. 1

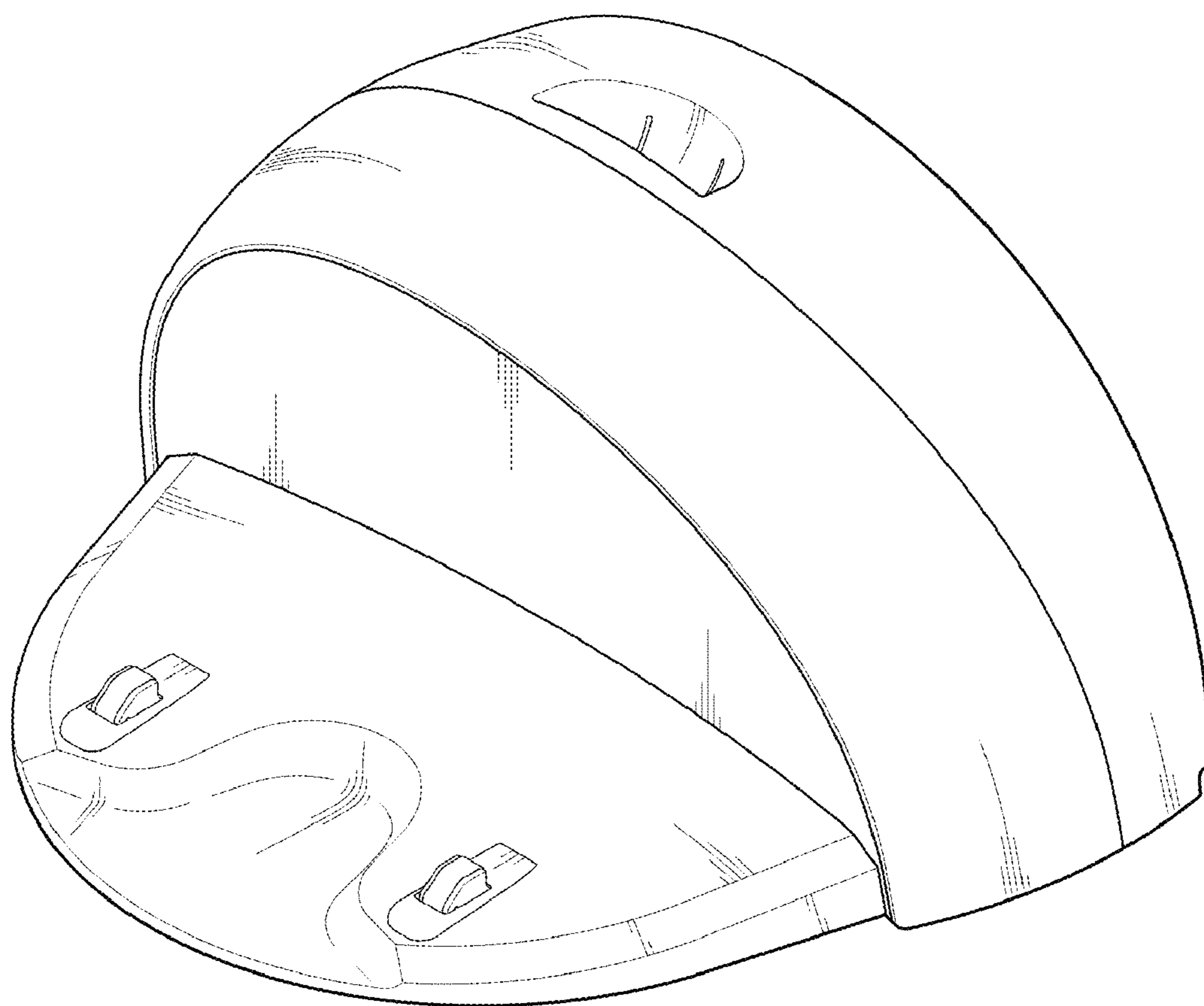


FIG. 2

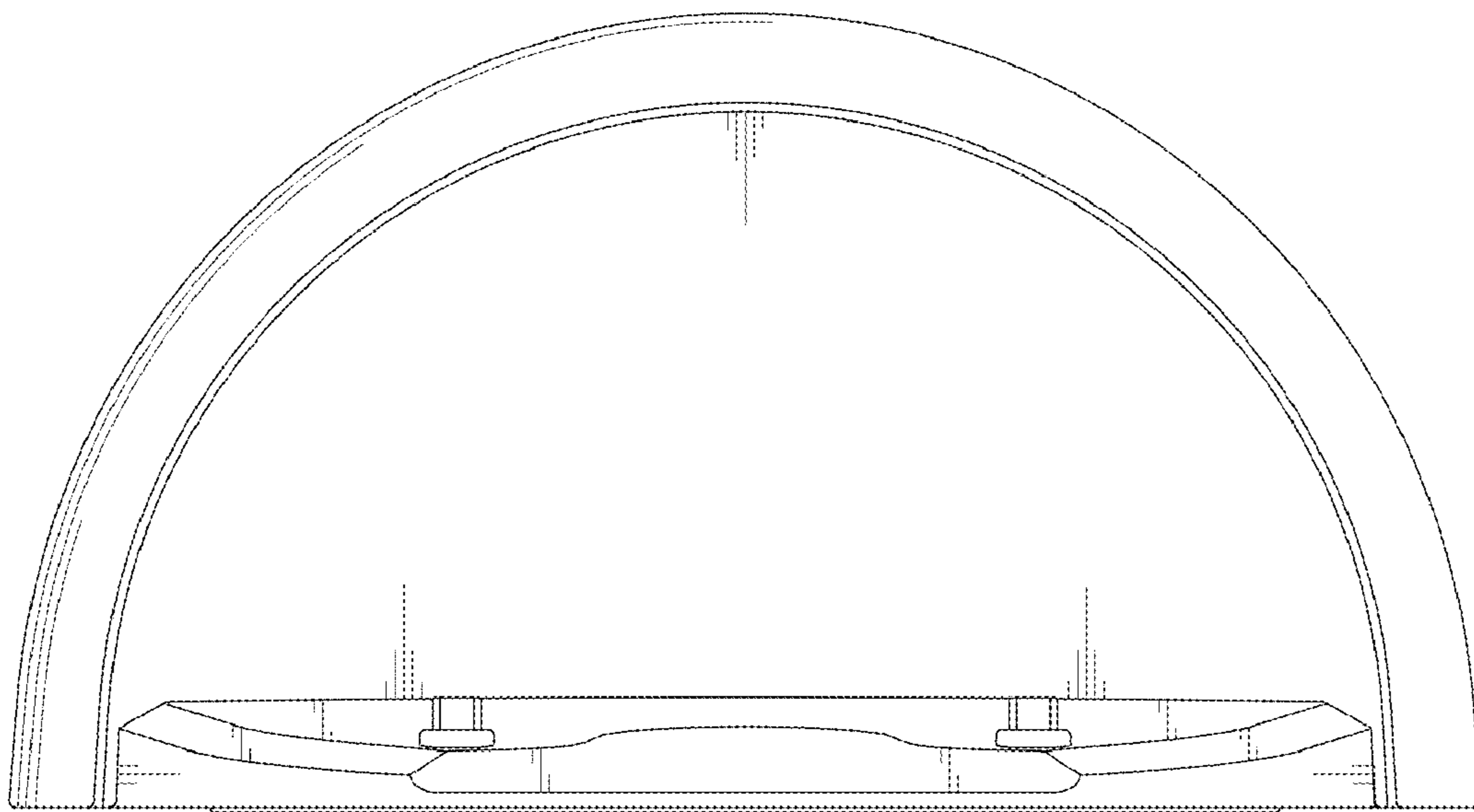


FIG. 3

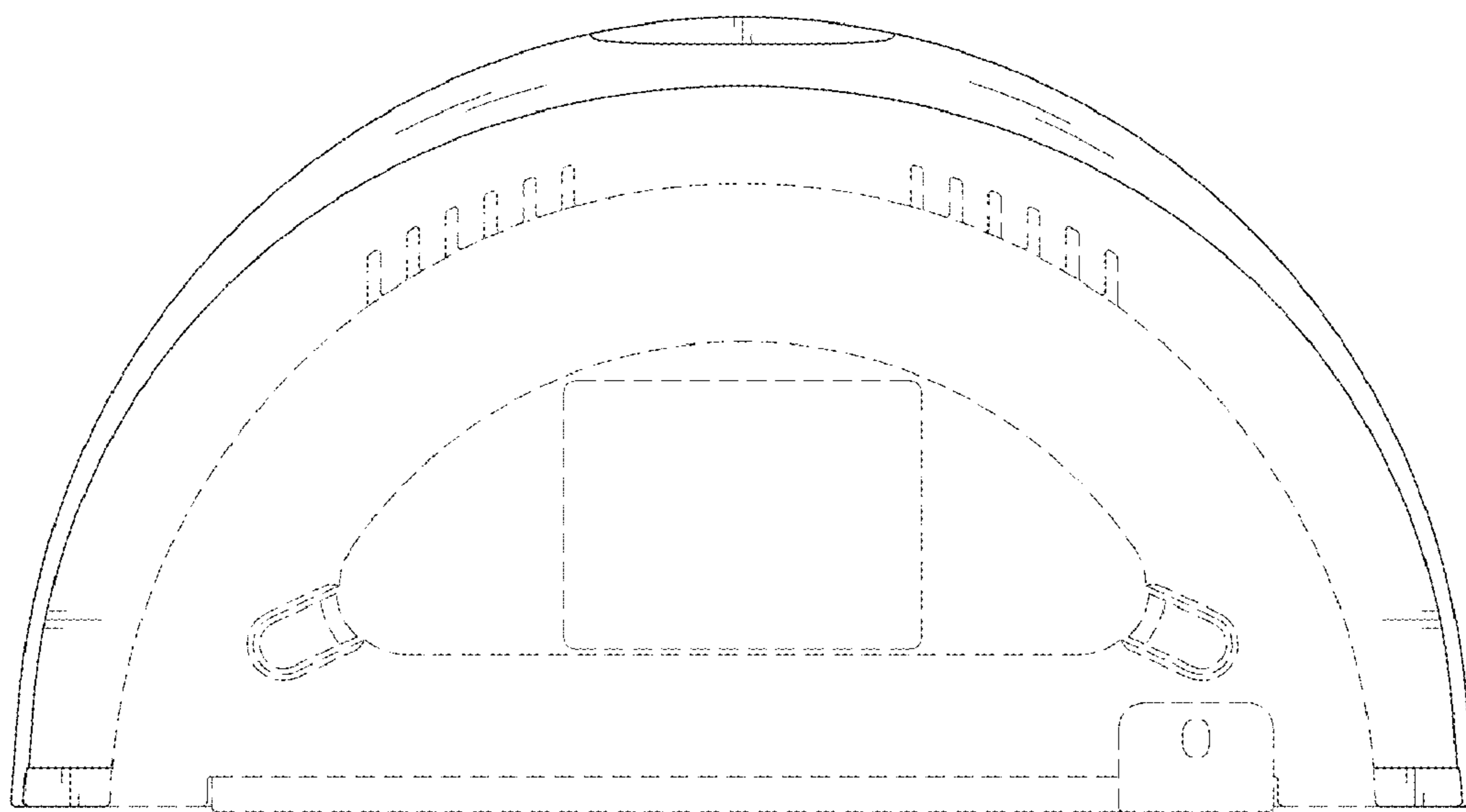


FIG. 4

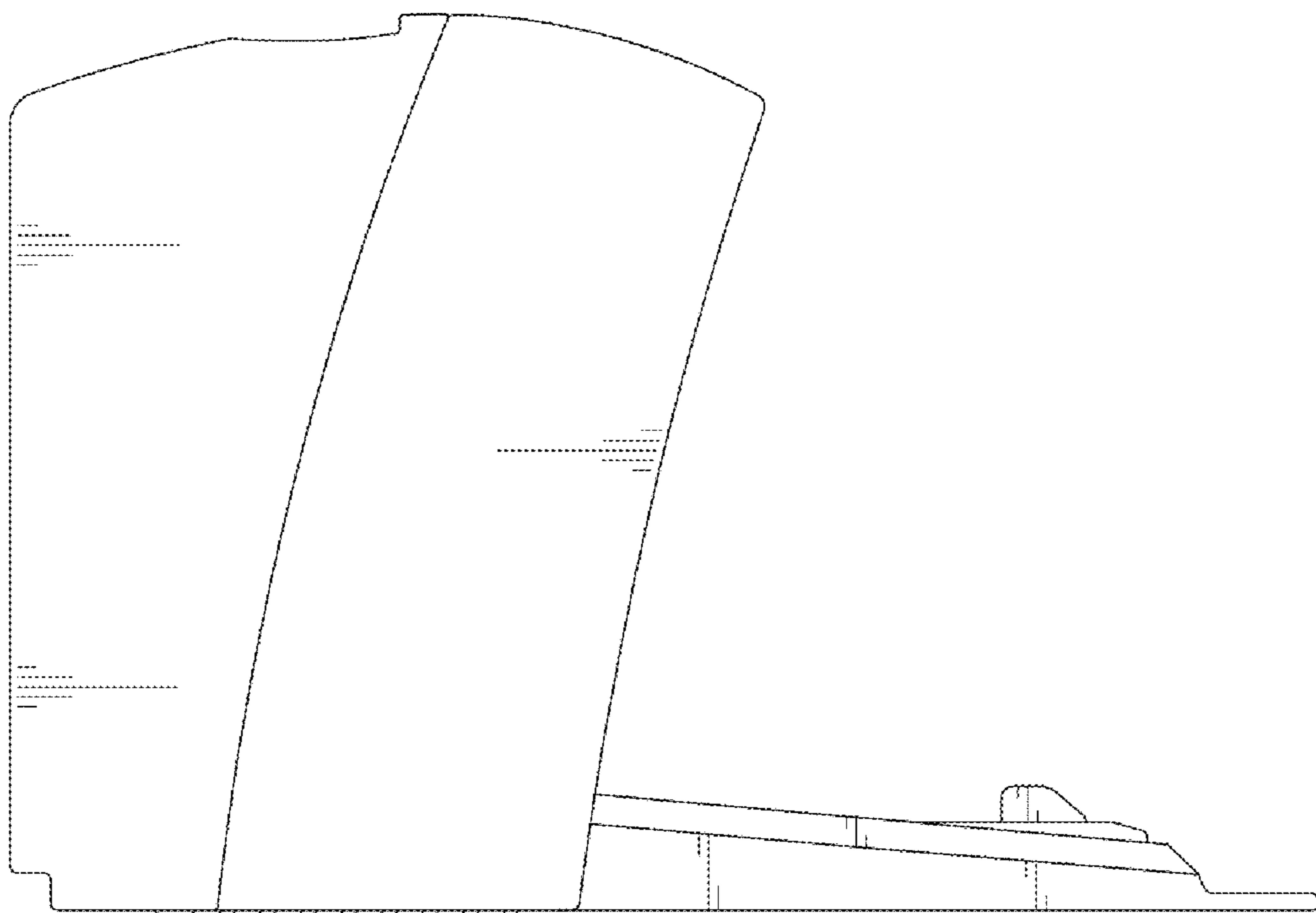


FIG. 5

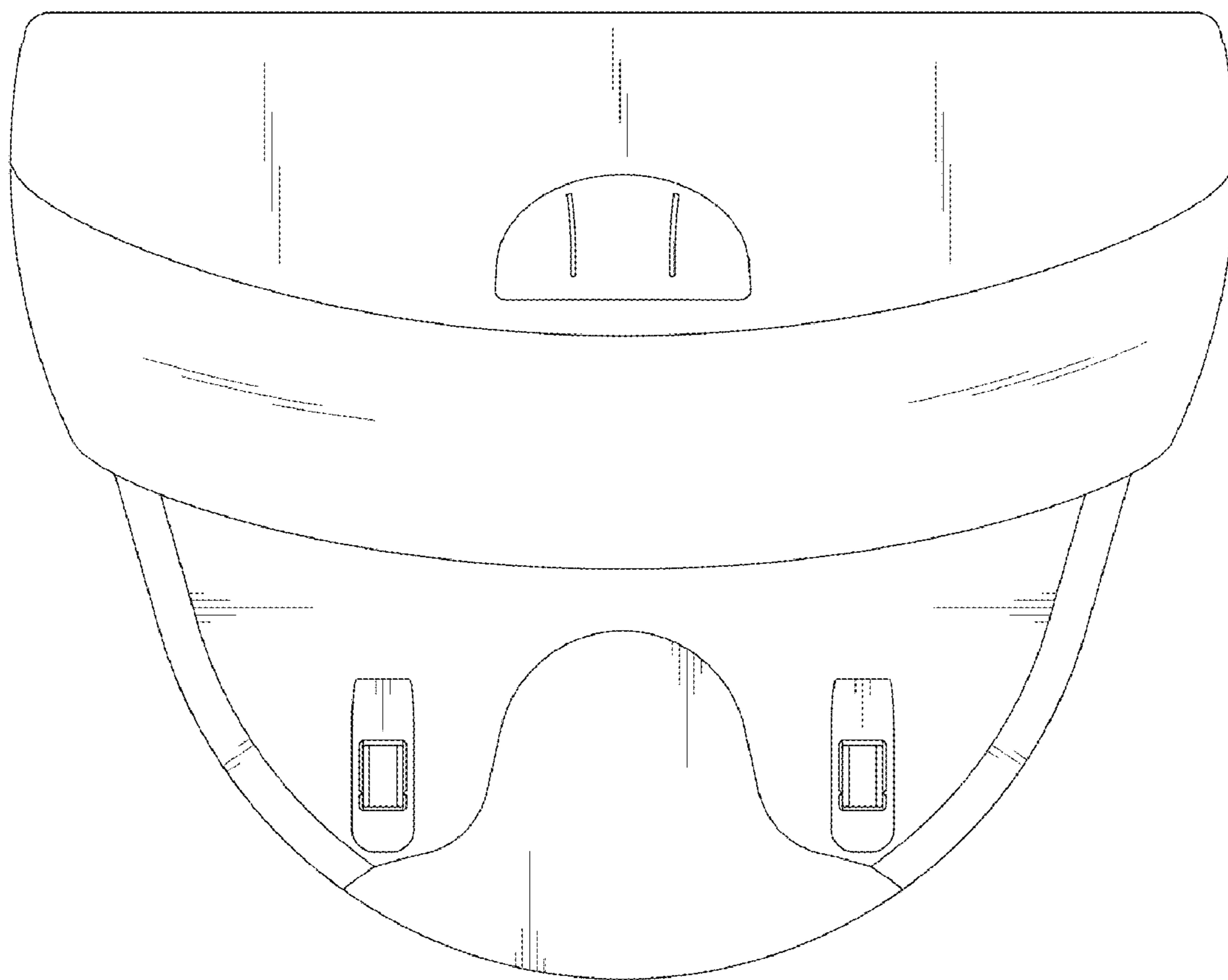


FIG. 6

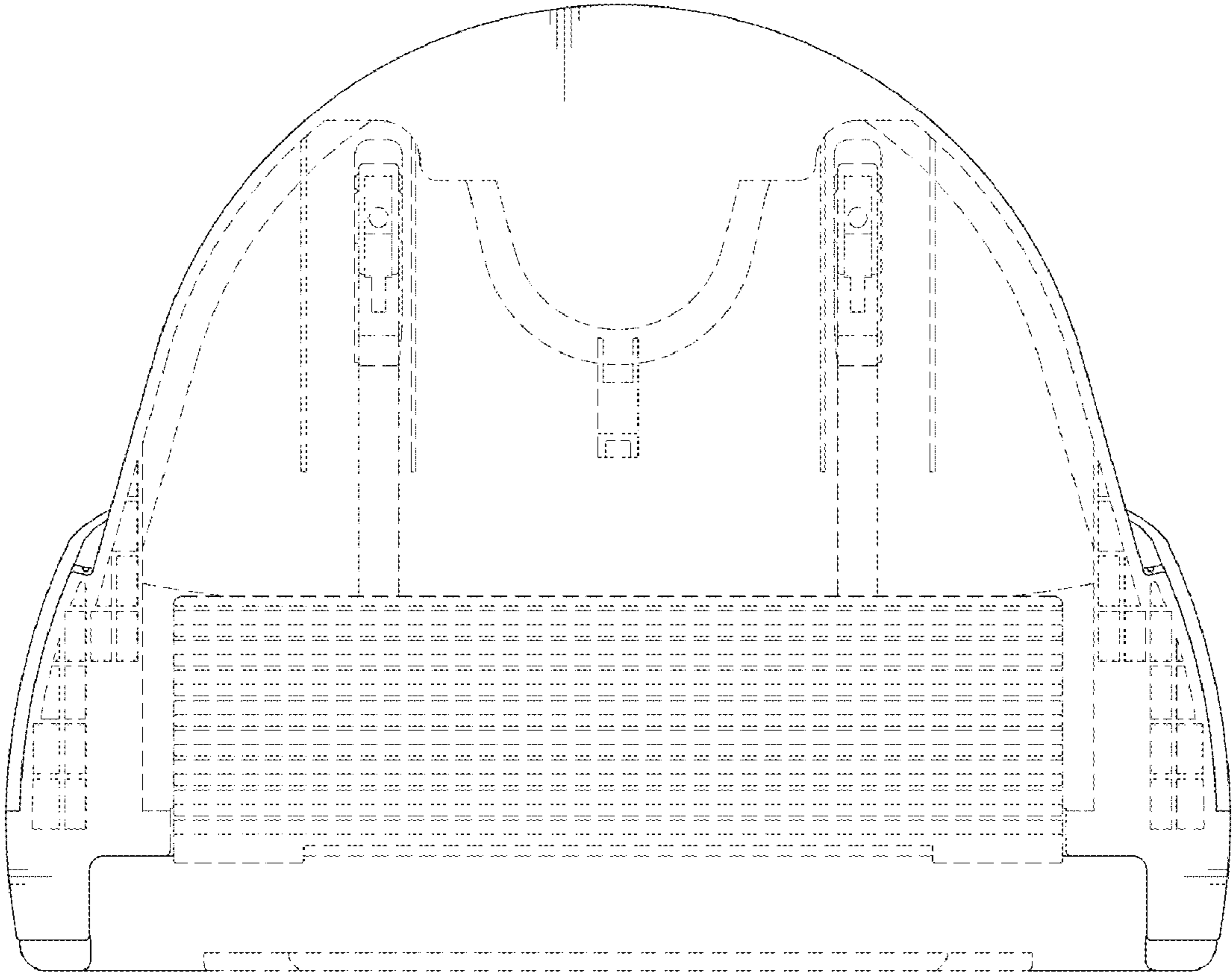


FIG. 7

