



US00D675152S

(12) **United States Design Patent**
Yokomakura

(10) **Patent No.:** **US D675,152 S**
(45) **Date of Patent:** **** Jan. 29, 2013**

(54) **TIRE**

(75) Inventor: **Seiji Yokomakura**, Osaka (JP)

(73) Assignee: **Toyo Tire & Rubber Co., Ltd.**, Osaka (JP)

(**) Term: **14 Years**

(21) Appl. No.: **29/406,906**

(22) Filed: **Nov. 21, 2011**

(30) **Foreign Application Priority Data**

May 23, 2011 (JP) 2011-011504

(51) **LOC (9) Cl.** **12-16**

(52) **U.S. Cl.** **D12/578**

(58) **Field of Classification Search** D12/505-532,
D12/596, 594; 152/209.1-209.28
See application file for complete search history.

(56) **References Cited**

U.S. PATENT DOCUMENTS

D278,224 S	4/1985	Nakamura et al.	
D279,178 S	6/1985	Nakamura et al.	
D287,837 S *	1/1987	Shintomi	D12/578
D447,449 S	9/2001	Guspodin	
D567,750 S	4/2008	Dixon	
D634,265 S *	3/2011	Shan et al.	D12/579

OTHER PUBLICATIONS

iTyre, "Michelin XS," <http://www.ityre.com/en/tyres/catalog/michelin/model/2040/opinions>), 4 pages, retrieved Nov. 15, 2011.

iTyre, "Dunlop SP SandGrip (SGRP)," (<http://www.ityre.com/en/tyres/catalog/dunlop/model/3451>), 5 pages, retrieved Nov. 15, 2011.
Radial Tires, "VSJ V-Steel Jamal", (http://www.bridgestone.com/products/specialty_tires/off_the_road/products/VSJ.html), 1 page, retrieved Nov. 15, 2011.

* cited by examiner

Primary Examiner — George D Kirschbaum

(74) *Attorney, Agent, or Firm* — Sterne, Kessler, Goldstein & Fox PLLC

(57) **CLAIM**

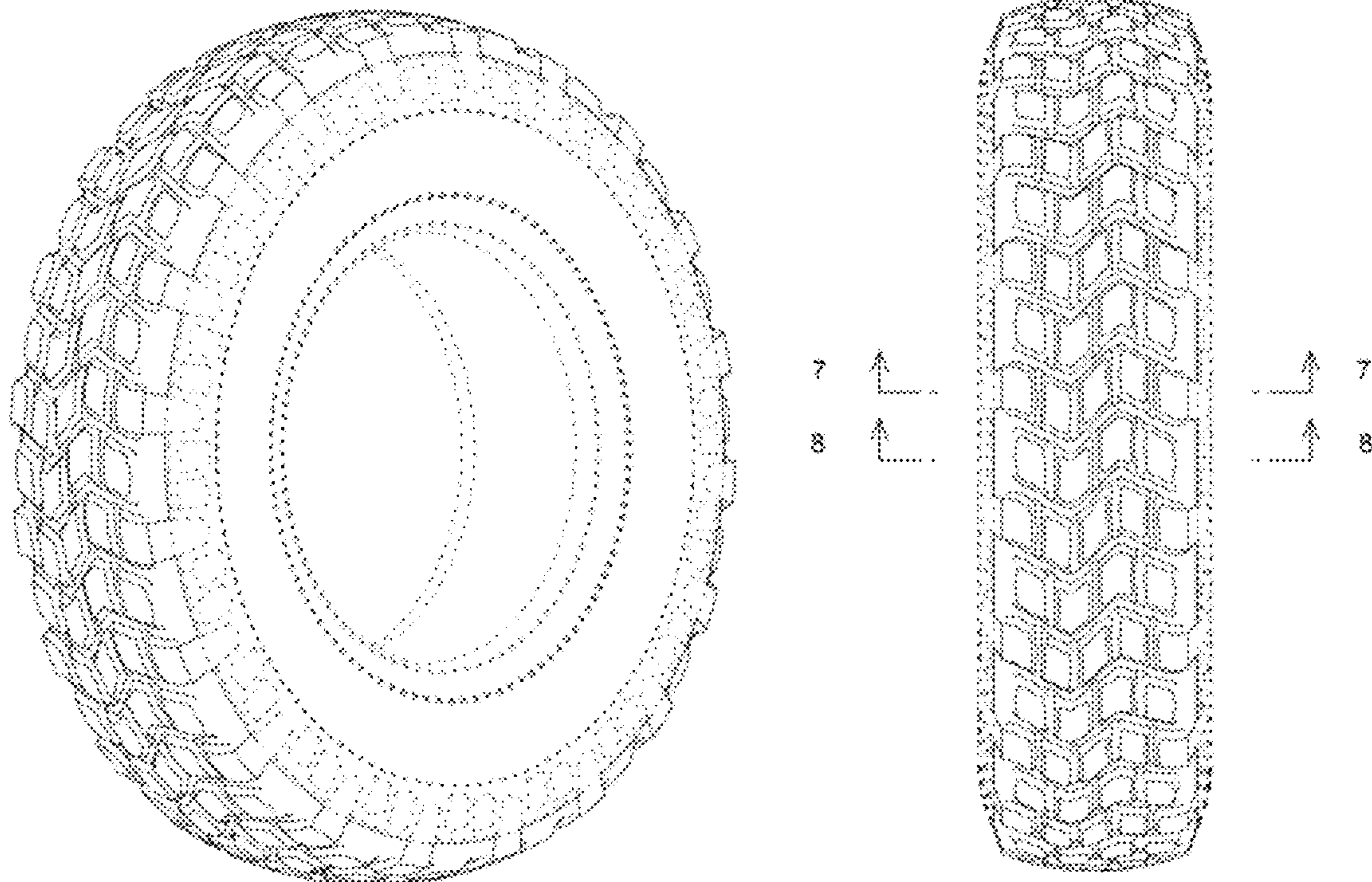
The ornamental design for a tire, as shown and described.

DESCRIPTION

FIG. 1 is a perspective view of a tire showing my new design; FIG. 2 is a front view thereof; FIG. 3 is a rear view thereof; FIG. 4 is a top plan view thereof, for which the bottom plan view is the same; FIG. 5 is a right side view thereof; FIG. 6 is a left side view thereof; FIG. 7 is a cross-sectional view taken along line 7-7 in FIG. 2 and line 7'-7' in FIG. 5; and, FIG. 8 is a cross-sectional view taken along line 8-8 in FIG. 2 and line 7'-7' in FIG. 5.

In the drawings, the broken lines defining portions of the sidewall and inner bead depict environmental subject matter that forms no part of the claimed design.

1 Claim, 8 Drawing Sheets



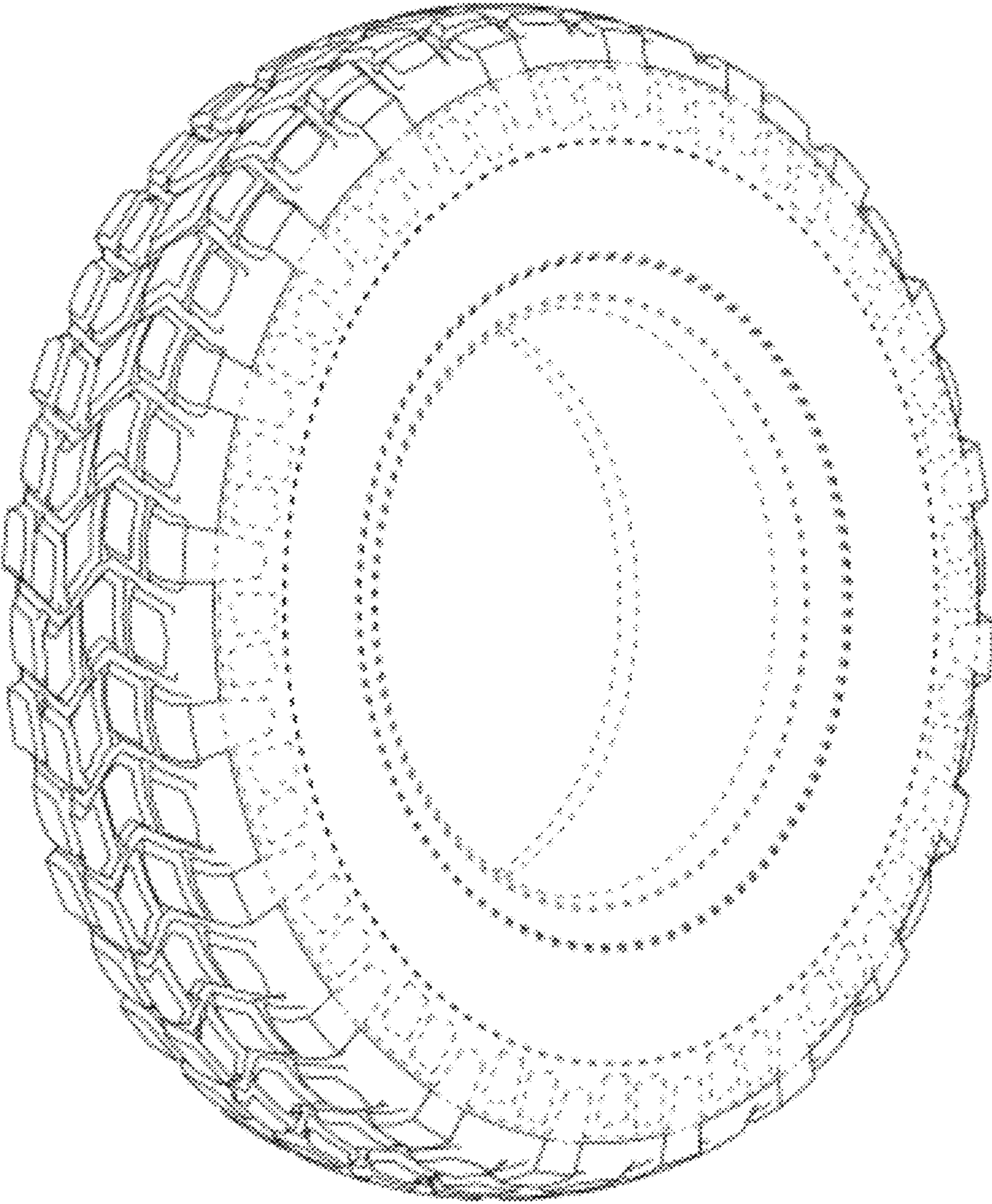


FIG. 1

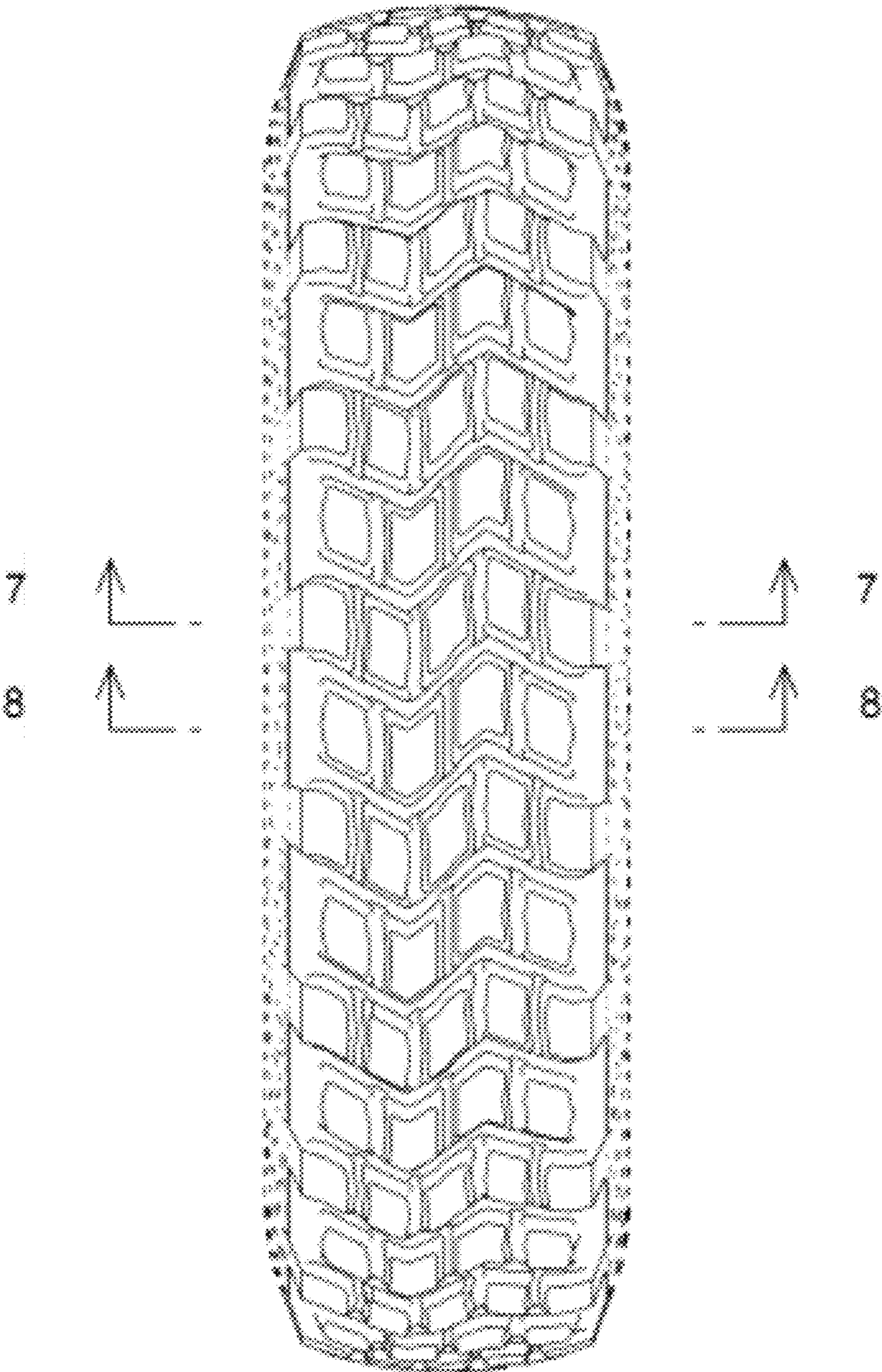


FIG. 2

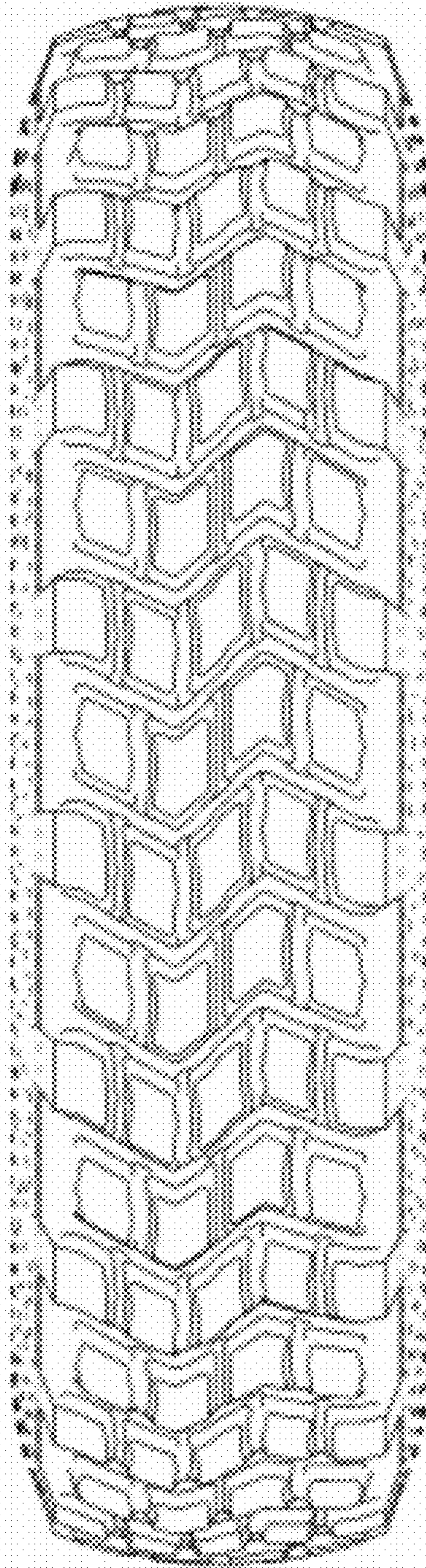


FIG. 3

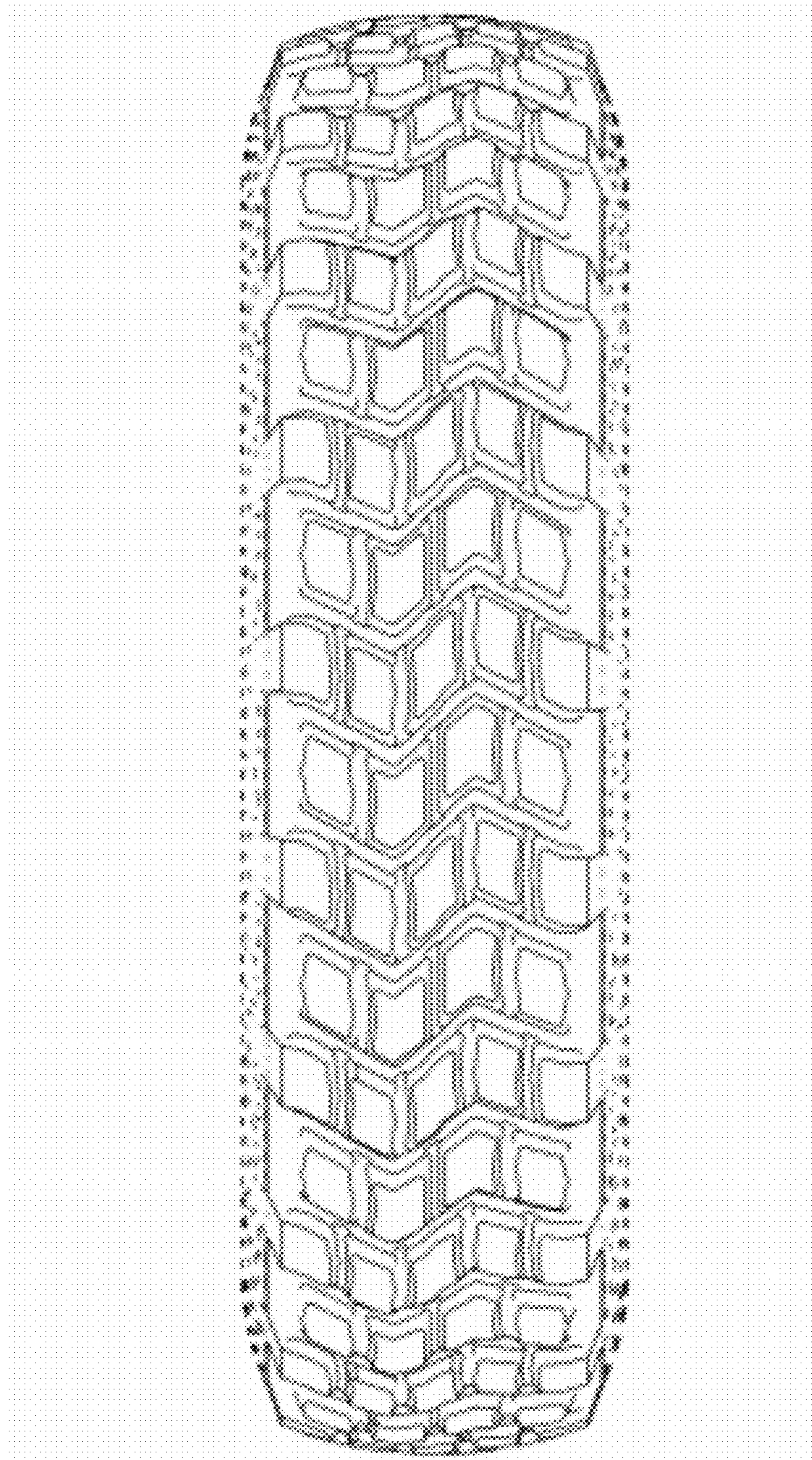


FIG. 4

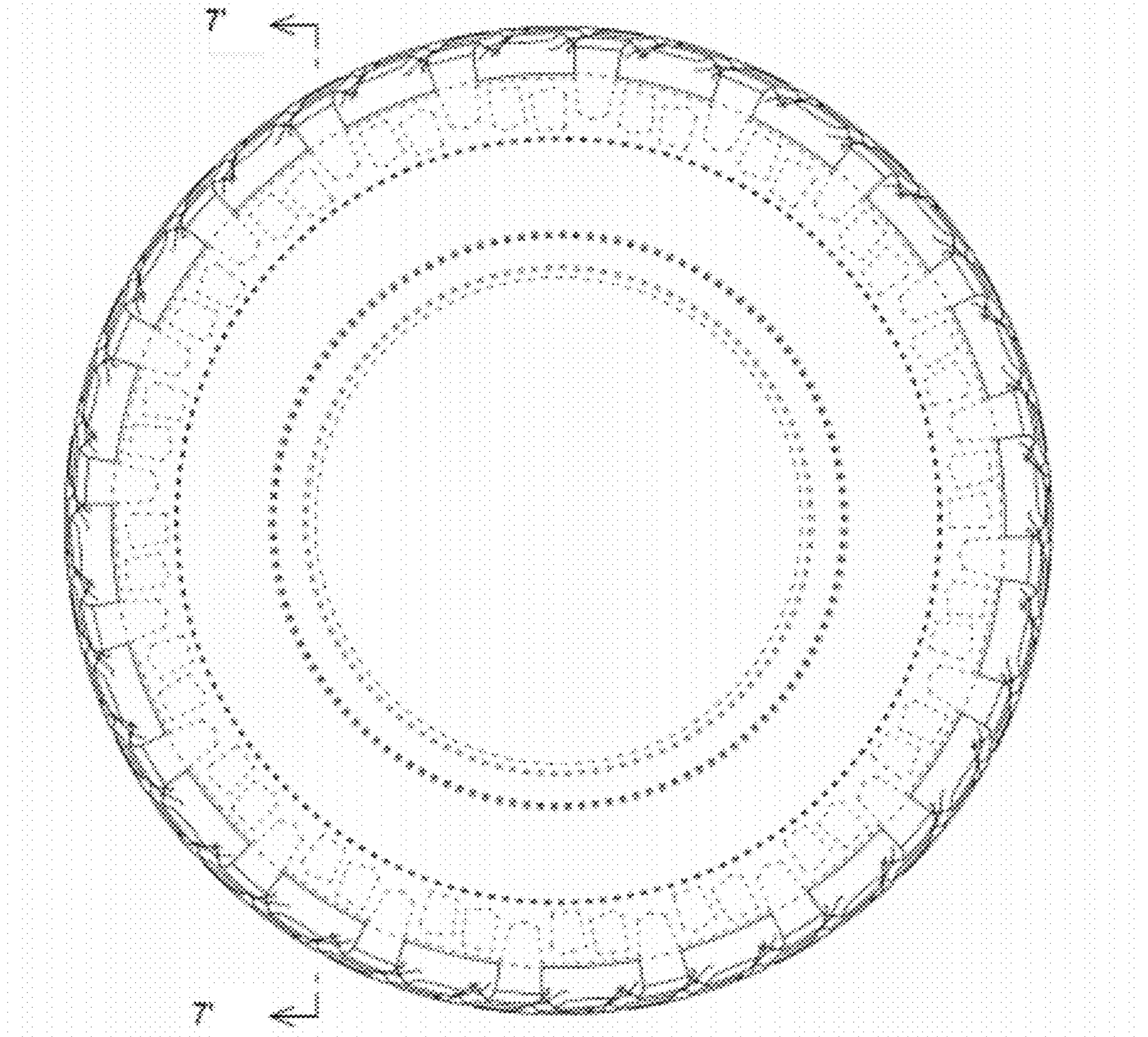


FIG. 5

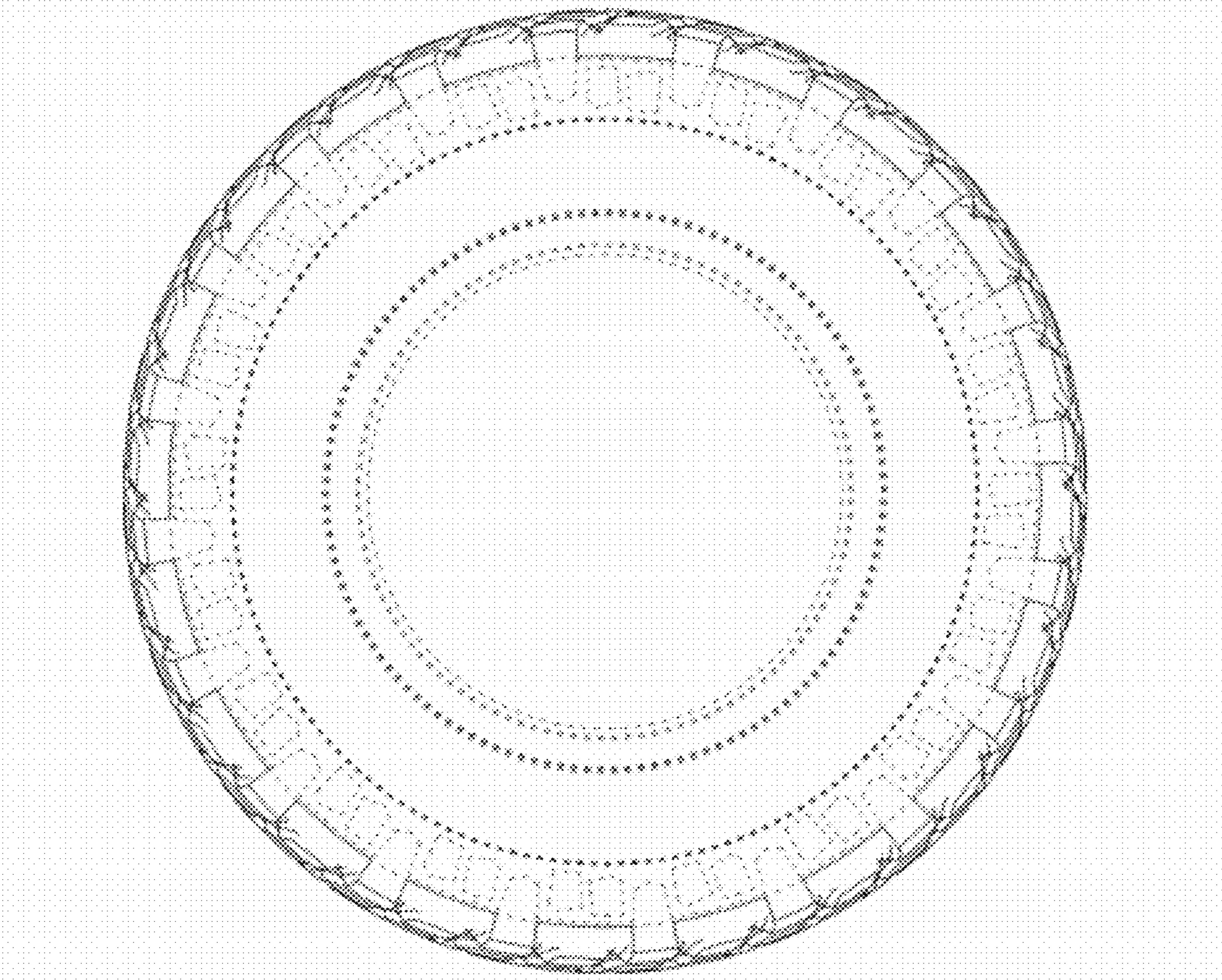


FIG. 6

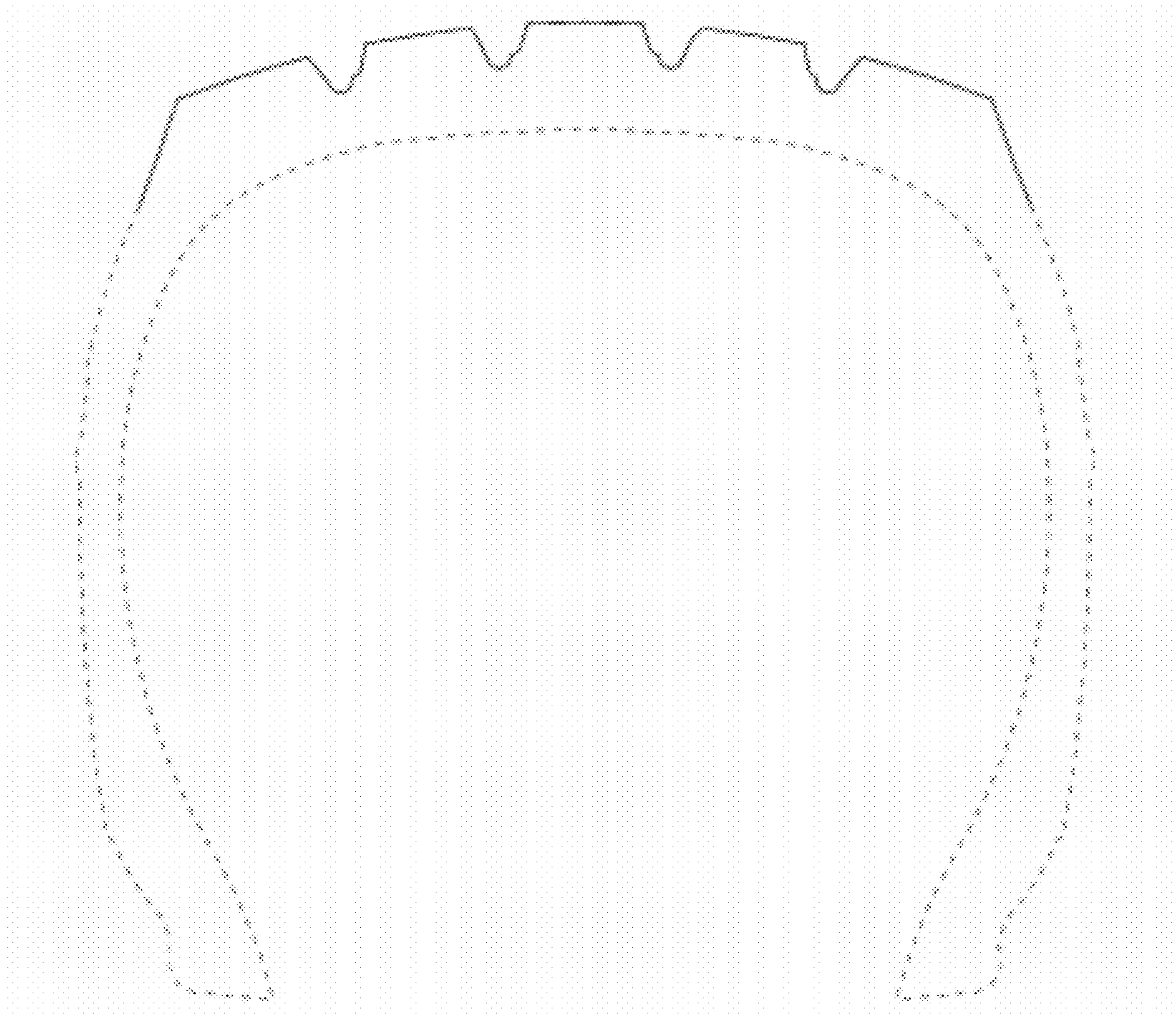


FIG. 7

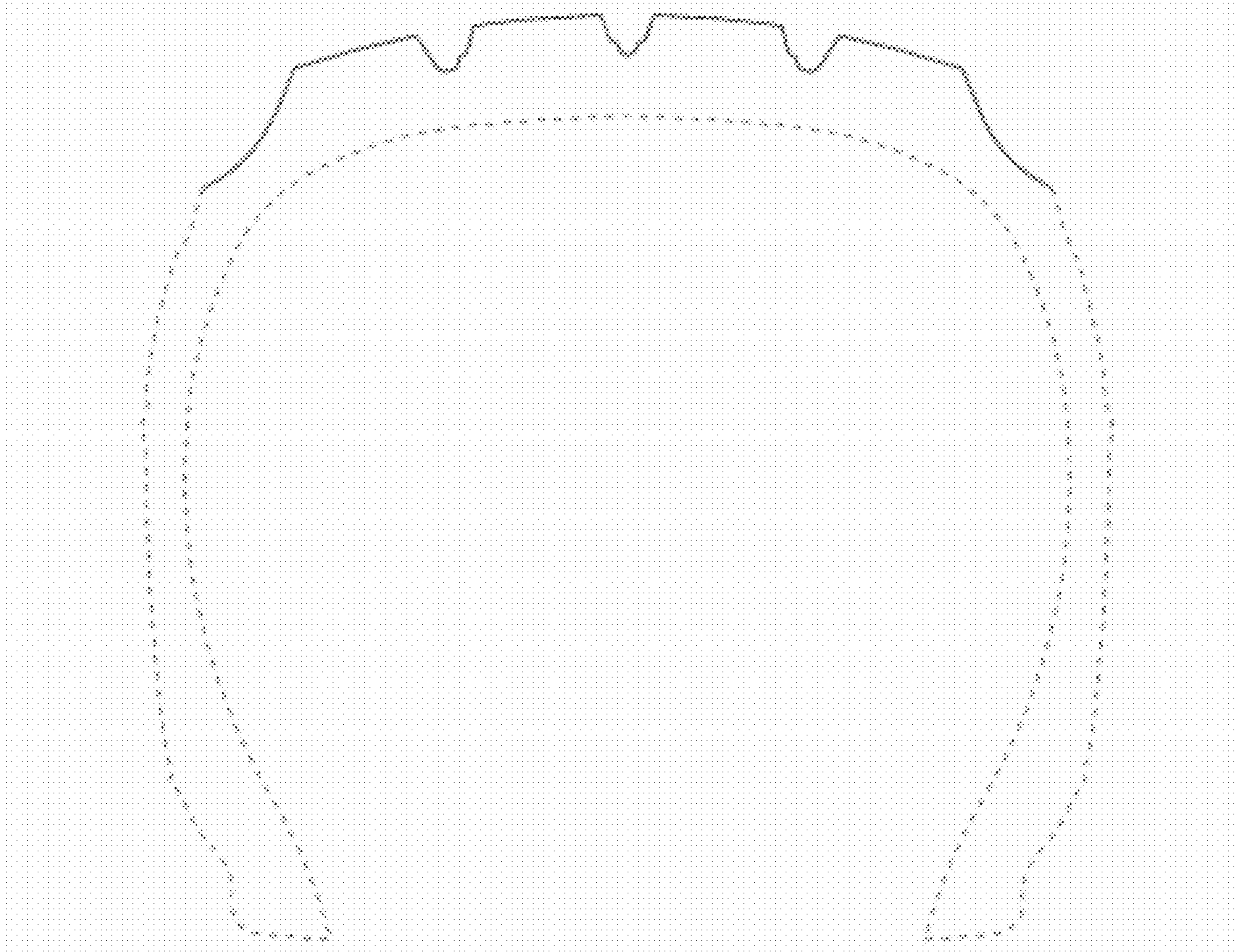


FIG. 8