



US00D675149S

(12) **United States Design Patent**
Bruneau et al.

(10) **Patent No.:** **US D675,149 S**
(45) **Date of Patent:** **** Jan. 29, 2013**

(54) **PNEUMATIC TIRE**

(75) Inventors: **François-Xavier Bruneau**, Beauregard
Vendon (FR); **Arnaud Frappart**,
Clermont-Ferrand (FR)

(73) Assignees: **Compagnie Generales des**
Etablissements Michelin,
Clermont-Ferrand (FR); **Michelin**
Recherche et Technique S.A.,
Granges-Paccot (CH)

(**) Term: **14 Years**

(21) Appl. No.: **29/414,004**

(22) Filed: **Feb. 23, 2012**

(30) **Foreign Application Priority Data**

Aug. 23, 2011 (FR) 11/4061

(51) **LOC (9) Cl.** **12-15**

(52) **U.S. Cl.** **D12/518; D12/521; D12/523**

(58) **Field of Classification Search** D12/500-532,
D12/900-901; 152/209.1-209.9, 209.11-209.19,
152/209.21-209.28, 455

See application file for complete search history.

(56) **References Cited**

U.S. PATENT DOCUMENTS

D332,073 S	*	12/1992	Hasegawa	D12/518
D369,763 S	*	5/1996	Saeki et al.	D12/518
D403,628 S		1/1999	Muhlhoff et al.		
D481,004 S	*	10/2003	O	D12/518
D502,441 S		3/2005	Lo		
D508,890 S	*	8/2005	Sugitani et al.	D12/518
D512,013 S		11/2005	Delu et al.		

D517,976 S	*	3/2006	Raatikainen	D12/518
D551,156 S	*	9/2007	Shinohara et al.	D12/521
D557,195 S	*	12/2007	Fontaine et al.	D12/524
D558,125 S	*	12/2007	Miyabe et al.	D12/518
D583,302 S	*	12/2008	Shavers et al.	D12/518
D600,629 S	*	9/2009	Takahashi	D12/518
D633,771 S		3/2011	Chang		
D642,971 S	*	8/2011	Takahashi	D12/518
D647,454 S	*	10/2011	Fabing et al.	D12/523
D651,160 S	*	12/2011	Jacobs	D12/518

* cited by examiner

Primary Examiner — Stacia Cadmus

(74) *Attorney, Agent, or Firm* — Buchanan Ingersoll & Rooney PC

(57) **CLAIM**

The ornamental design for a pneumatic tire, as shown and described.

DESCRIPTION

FIG. 1 is a perspective view of a pneumatic tire showing our new design.

FIG. 2 is a front elevational view thereof.

FIG. 3 is a left side elevational view thereof.

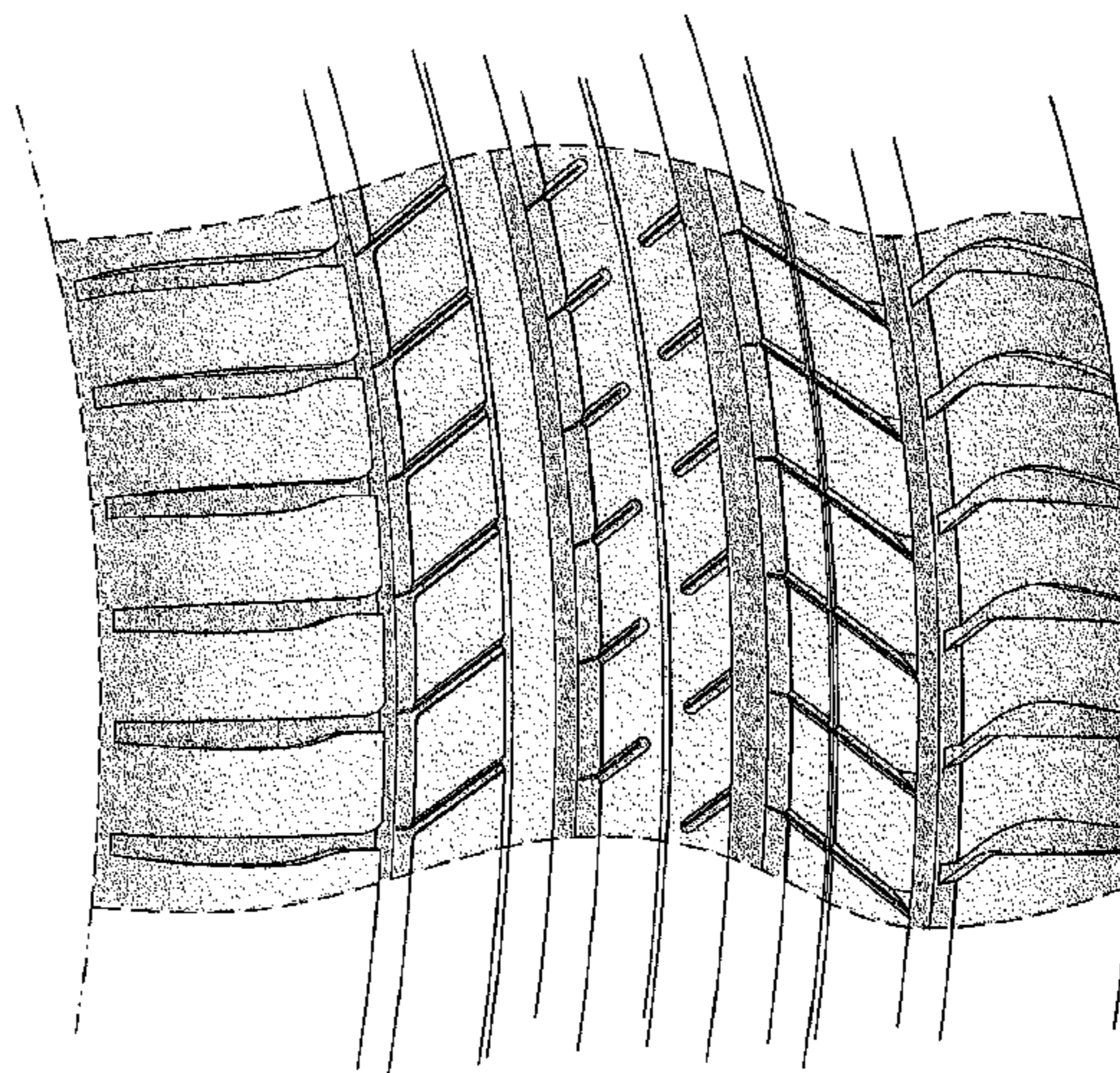
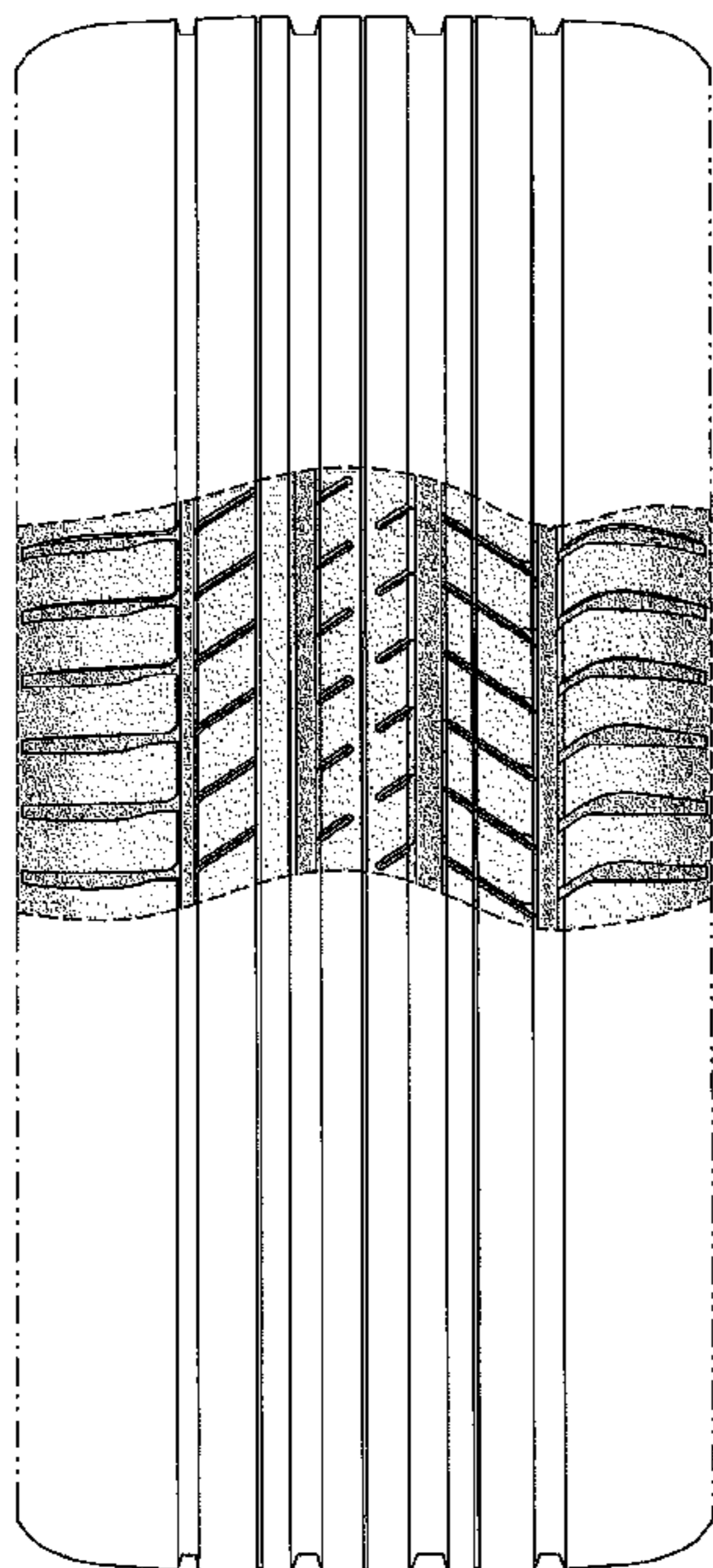
FIG. 4 is a right side elevational view thereof; and,

FIG. 5 is an enlarged perspective view thereof.

In the drawings, the broken lines defining the sidewall, inner bead and the unclaimed sidewall depict environmental subject matter that forms no part of the claimed design. The dash-dot lines represent the peripheral boundary between the claimed tire tread and unclaimed sidewall.

The tread pattern is understood to repeat uniformly throughout the circumference of the tire, as shown schematically in solid lines.

1 Claim, 5 Drawing Sheets



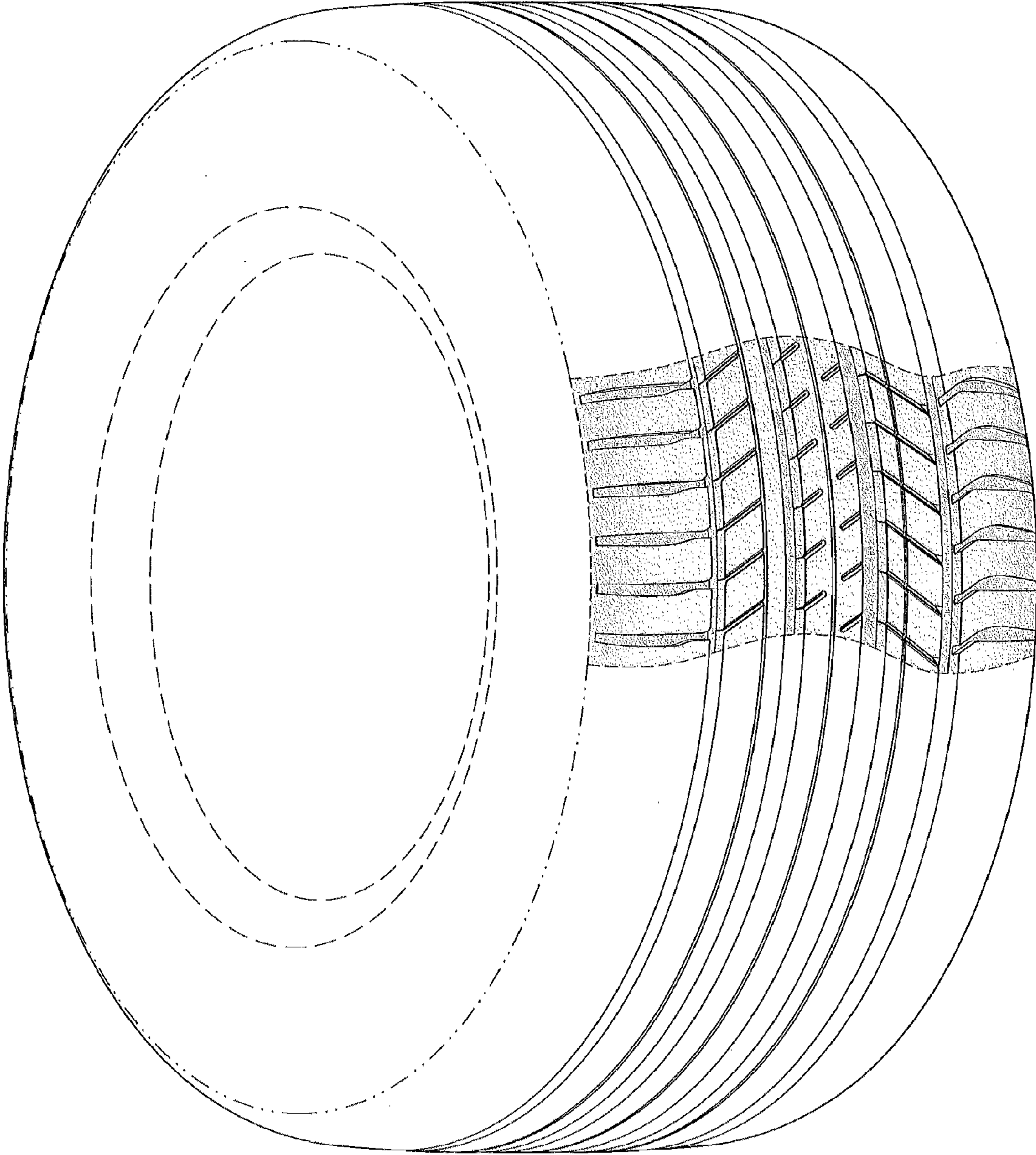


FIG. 1

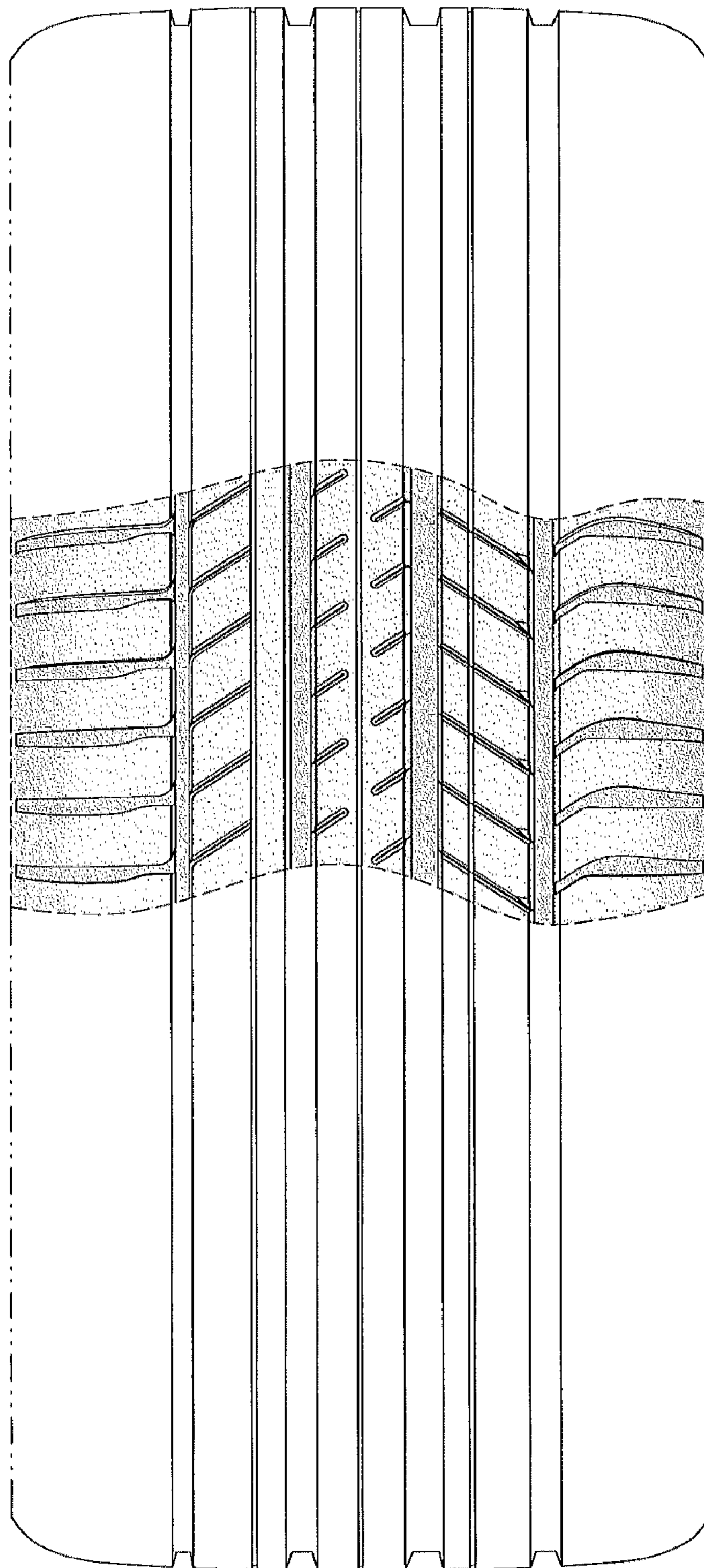


FIG. 2

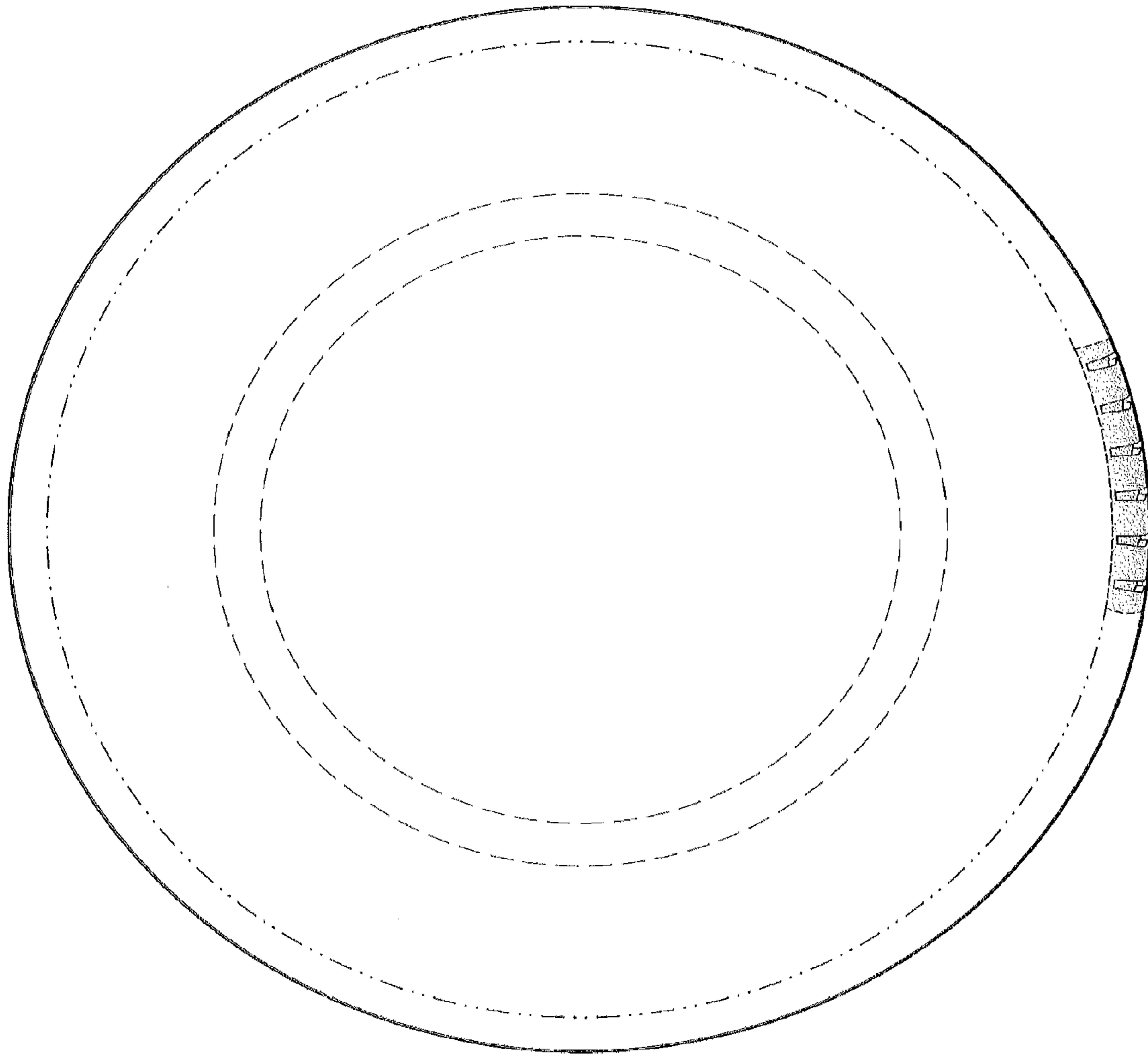


FIG. 3

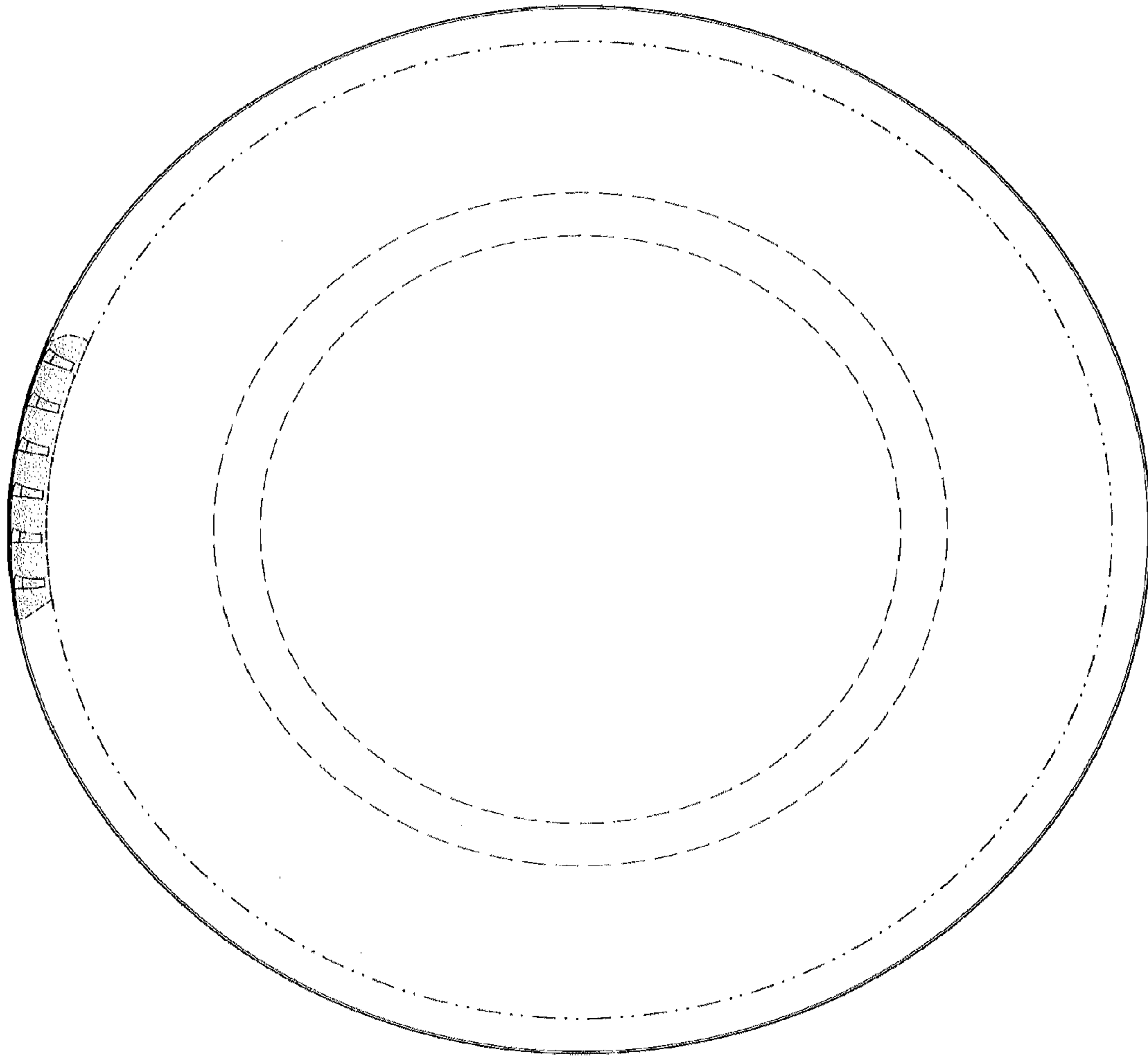


FIG. 4

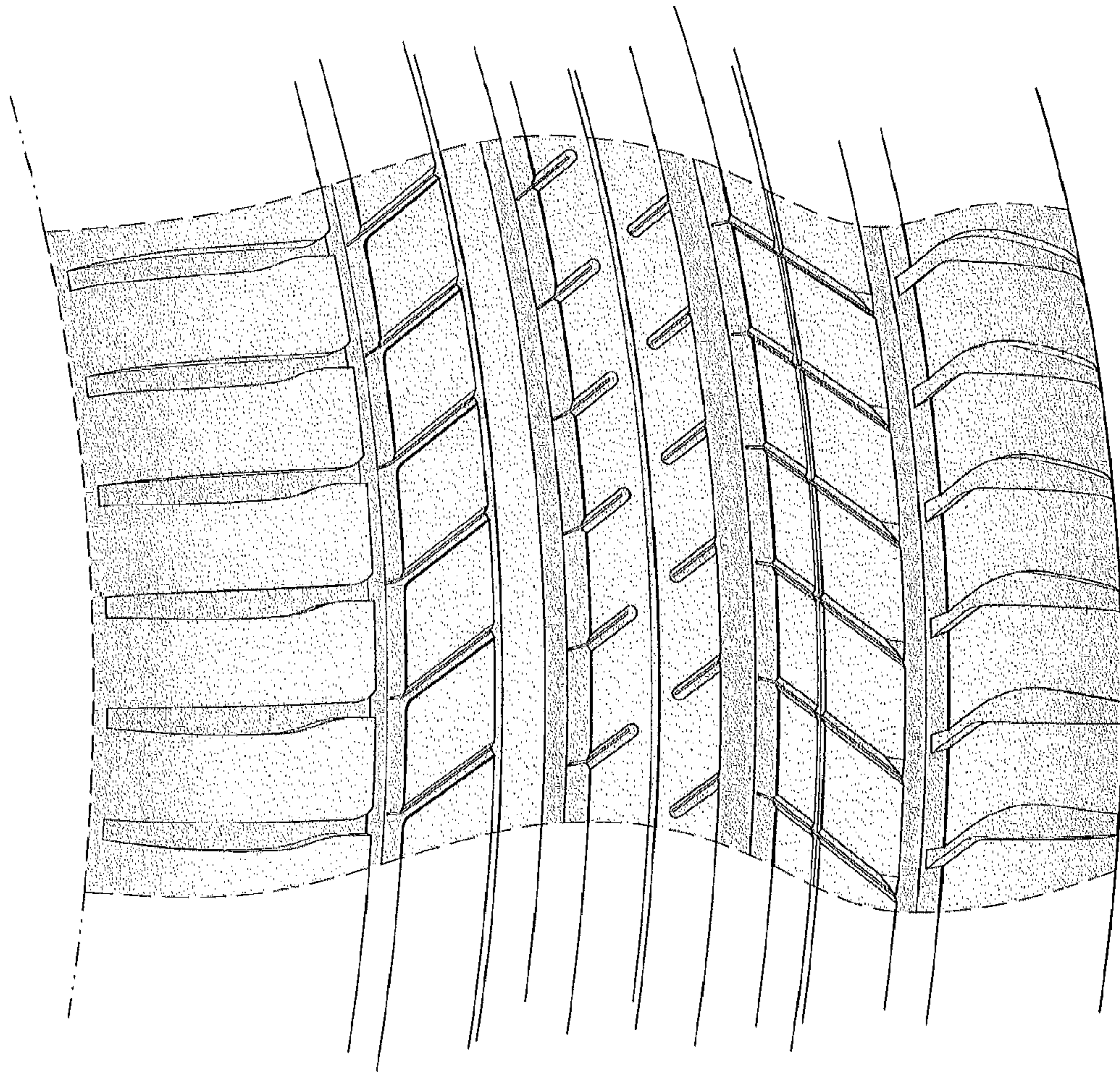


FIG. 5