



US00D675146S

(12) **United States Design Patent**
Bellabono

(10) **Patent No.:** **US D675,146 S**
(45) **Date of Patent:** **** Jan. 29, 2013**

(54) **WHEEL SIGN DISPLAY**

(76) Inventor: **Santino Bellabono**, Regina (CA)

(**) Term: **14 Years**

(21) Appl. No.: **29/390,651**

(22) Filed: **Apr. 28, 2011**

(51) **LOC (9) Cl.** **12-06**

(52) **U.S. Cl.** **D12/223**

(58) **Field of Classification Search** D8/373,
D8/349, 382, 354; D12/223, 213; 248/309.1,
248/274.1, 284.1, 200, 200.1

See application file for complete search history.

(56) **References Cited**

U.S. PATENT DOCUMENTS

2,640,730	A	6/1953	Lyon	
3,005,906	A	10/1961	Butler, Jr.	
D228,736	S *	10/1973	Hall	D8/382
4,280,293	A	7/1981	Kovalenko et al.	
D301,447	S *	6/1989	Snyder	D12/223
D301,448	S *	6/1989	Snyder	D12/223
D321,164	S	10/1991	Gibson	
D337,299	S	7/1993	Curtis	
D343,379	S	1/1994	Dockins	
D362,651	S	9/1995	Hsu	
D417,426	S	12/1999	Leasure et al.	
D418,472	S	1/2000	Okamoto et al.	
6,030,106	A *	2/2000	Johnson	362/500
D437,770	S *	2/2001	Garske et al.	D8/349
D440,932	S	4/2001	Brintouch	
D470,813	S	2/2003	Nanez	
6,755,554	B2 *	6/2004	Ohmae et al.	362/293

D504,095	S	4/2005	Sabbiah	
D559,657	S *	1/2008	Wohlford et al.	D8/354
D568,226	S	5/2008	Walker	
D572,647	S	7/2008	Walker	
D586,207	S *	2/2009	Giddings	D8/382
D590,702	S *	4/2009	Giddings	D8/382
D609,552	S *	2/2010	Anderson et al.	D8/349
D622,581	S *	8/2010	Caggiano	D8/382
D623,500	S *	9/2010	Langner et al.	D8/349
2007/0124972	A1	6/2007	Ratcliffe	

* cited by examiner

Primary Examiner — Sheryl Lane

(74) *Attorney, Agent, or Firm* — QuickPatents, Inc.; Kevin Prince

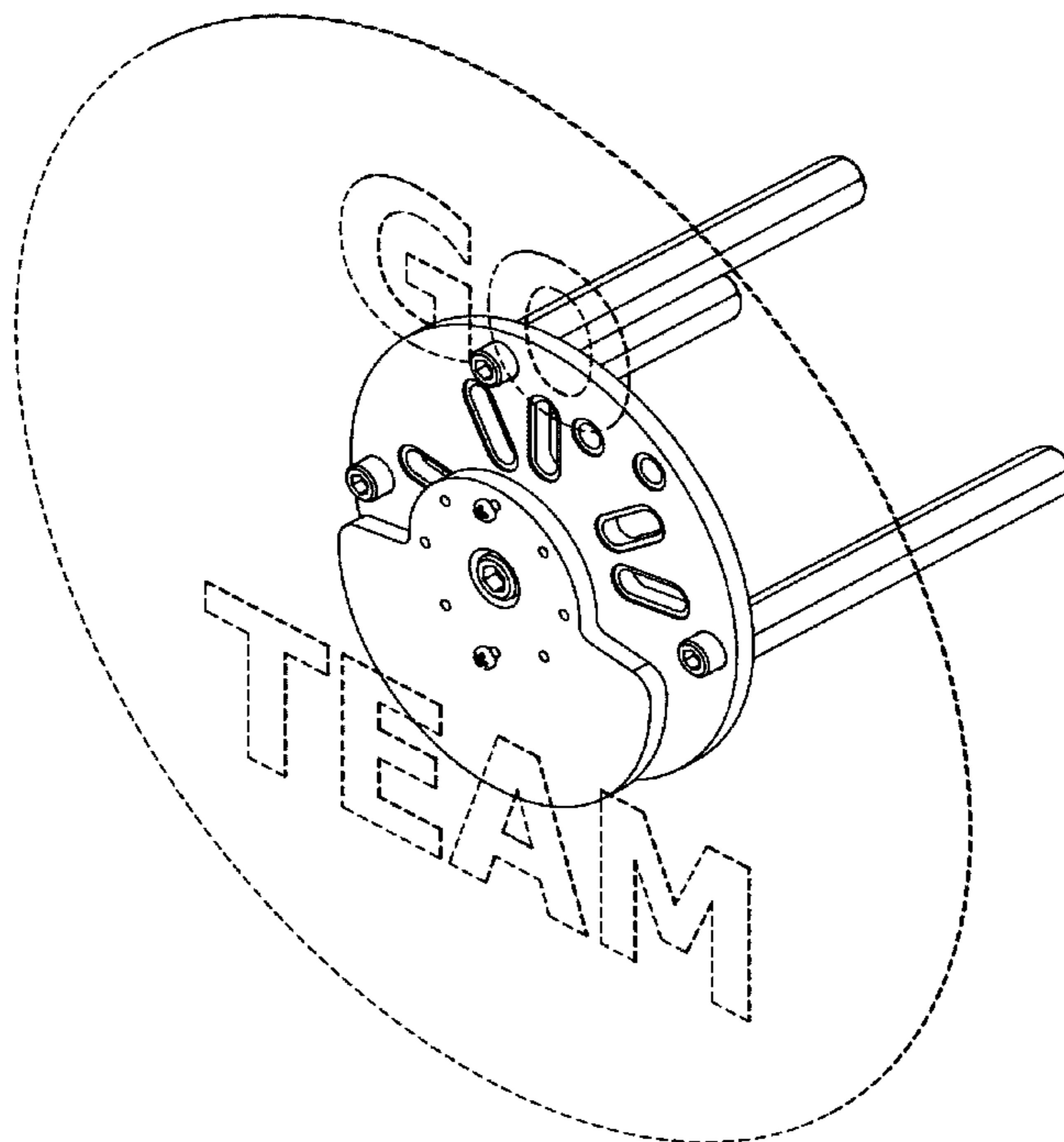
(57) **CLAIM**

I claim the ornamental design for a wheel sign display, as shown and described.

DESCRIPTION

FIG. 1 is a perspective view of a wheel sign display, showing my new design;
 FIG. 2 is an exploded perspective view thereof;
 FIG. 3 is a top plan view thereof;
 FIG. 4 is a front elevational view thereof;
 FIG. 5 is a left-side elevational view thereof;
 FIG. 6 is a rear elevational view thereof;
 FIG. 7 is a right-side elevational view thereof; and,
 FIG. 8 is a bottom plan view thereof.
 The broken lines showing a sign in FIGS. 1 and 2 and connecting hardware in FIGS. 3, 5, 7 and 8 depict environmental subject matter and form no part of the claimed design.

1 Claim, 4 Drawing Sheets



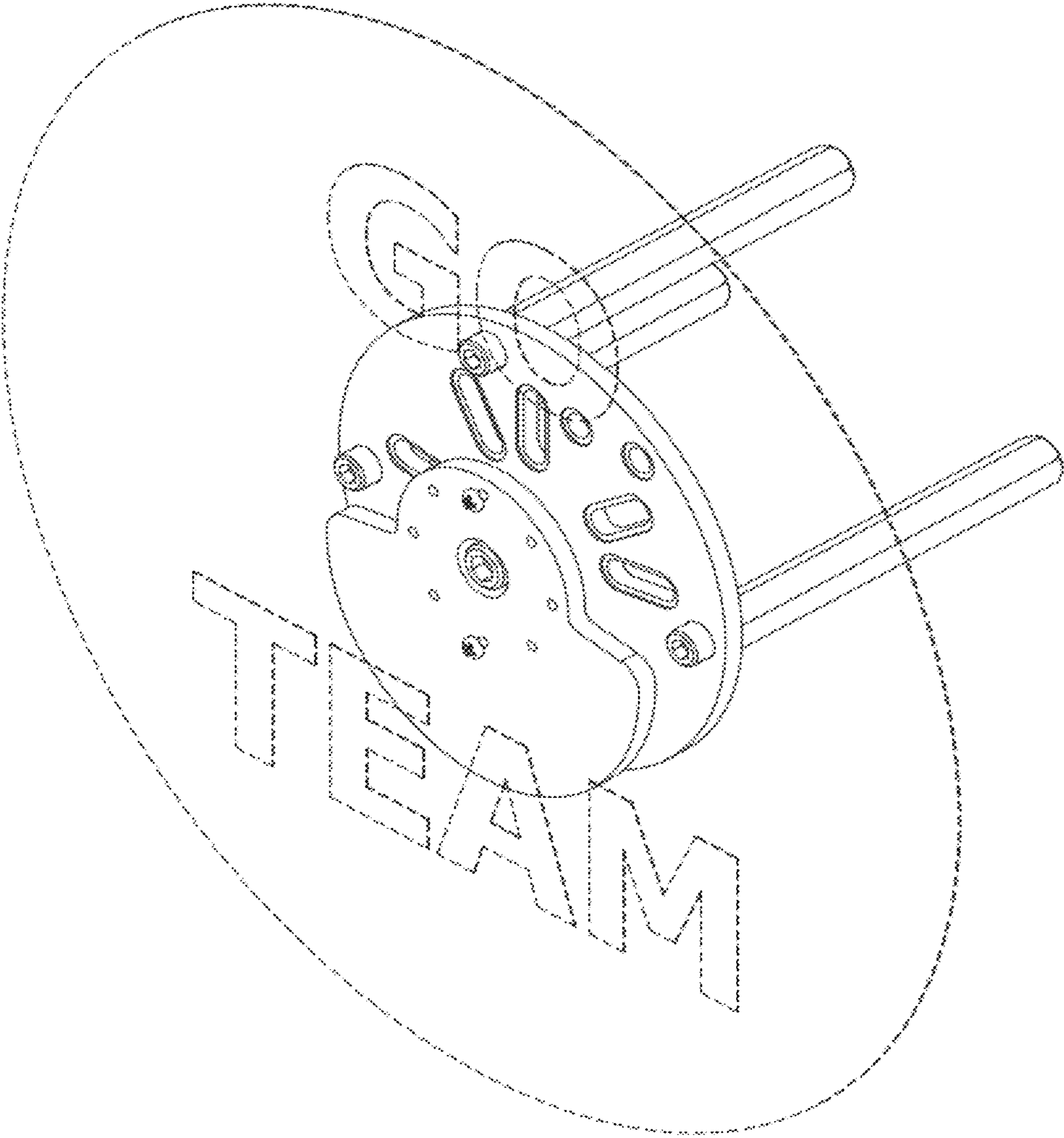


FIG. 1

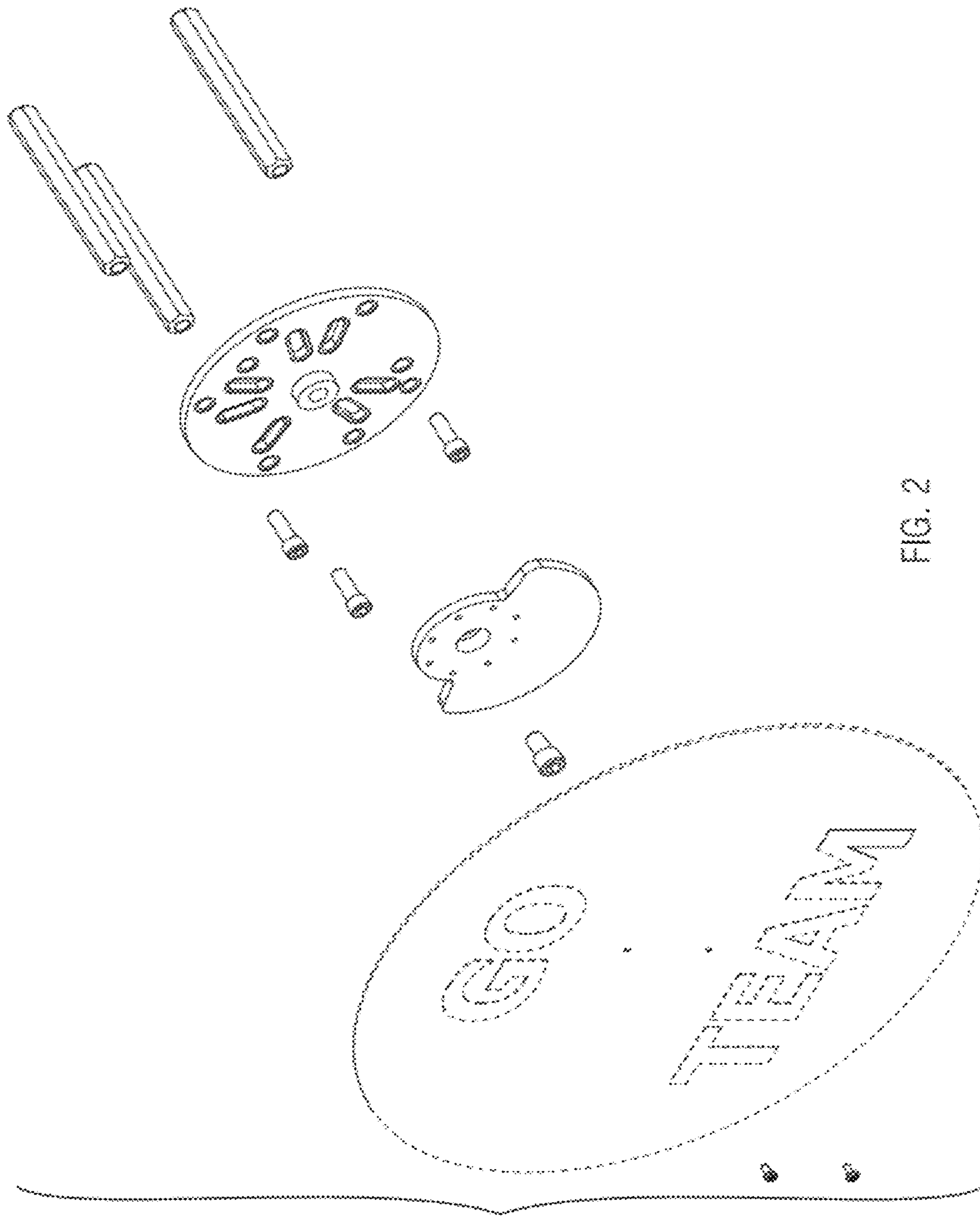


FIG. 2

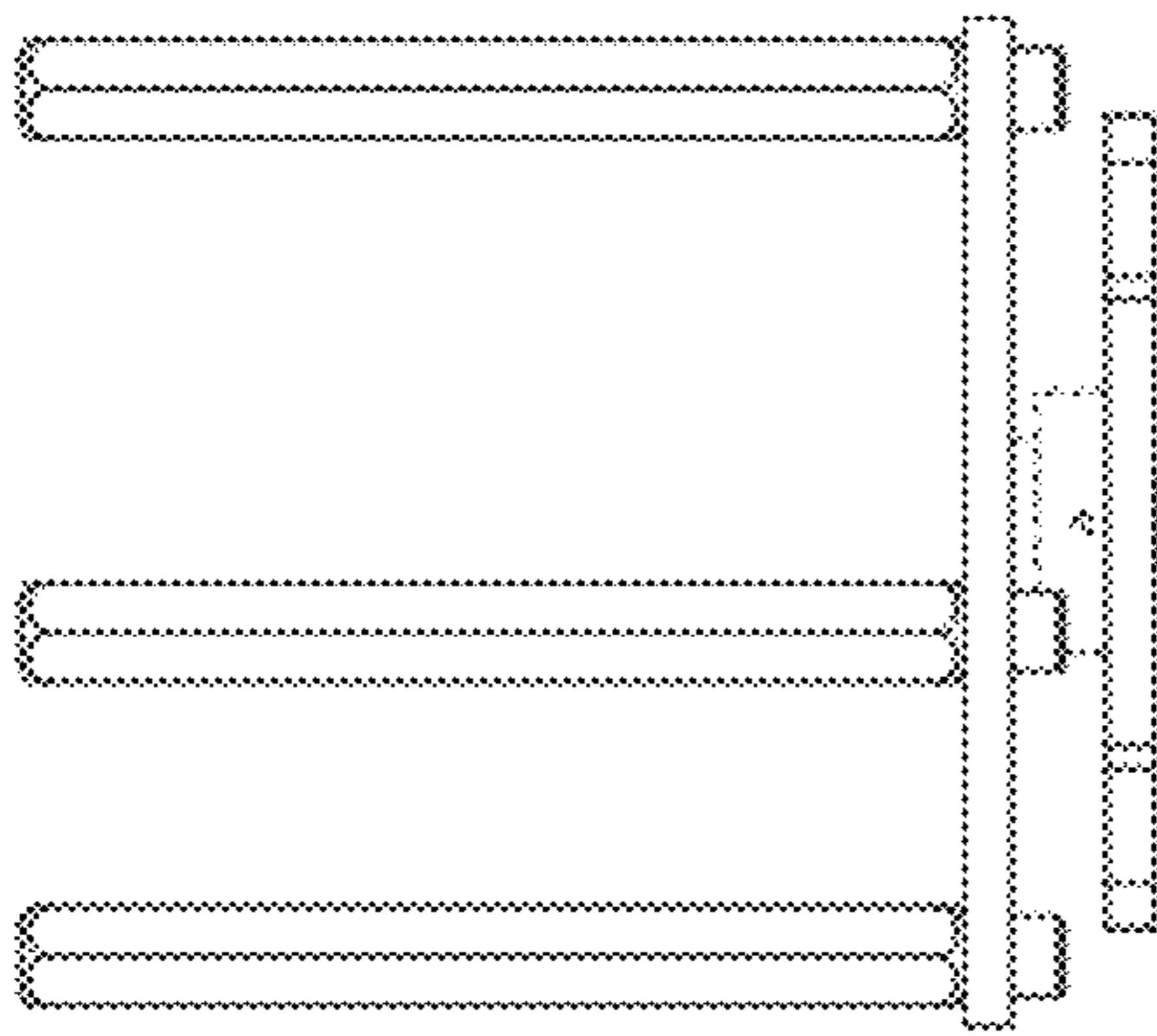


FIG. 3

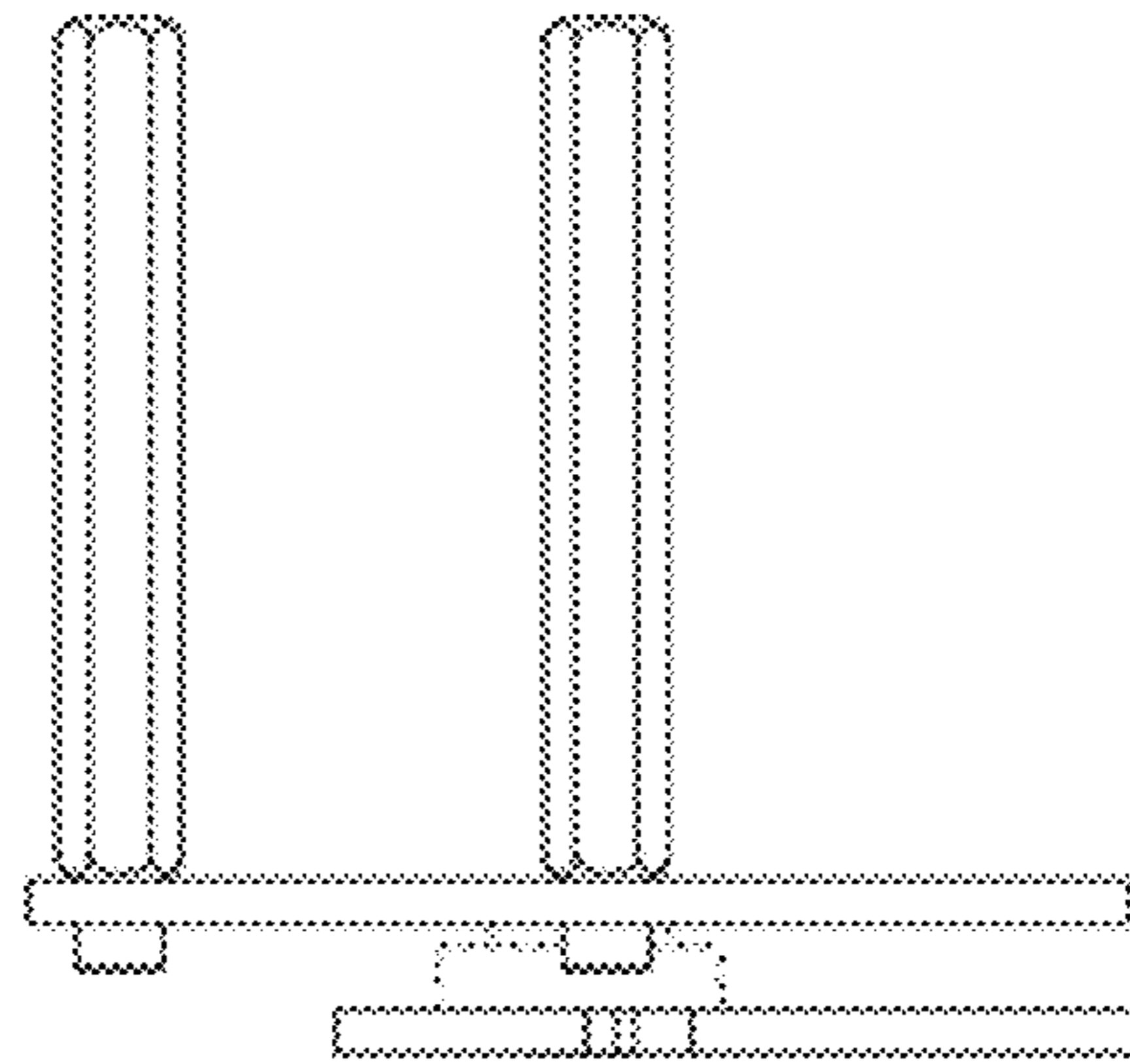


FIG. 5

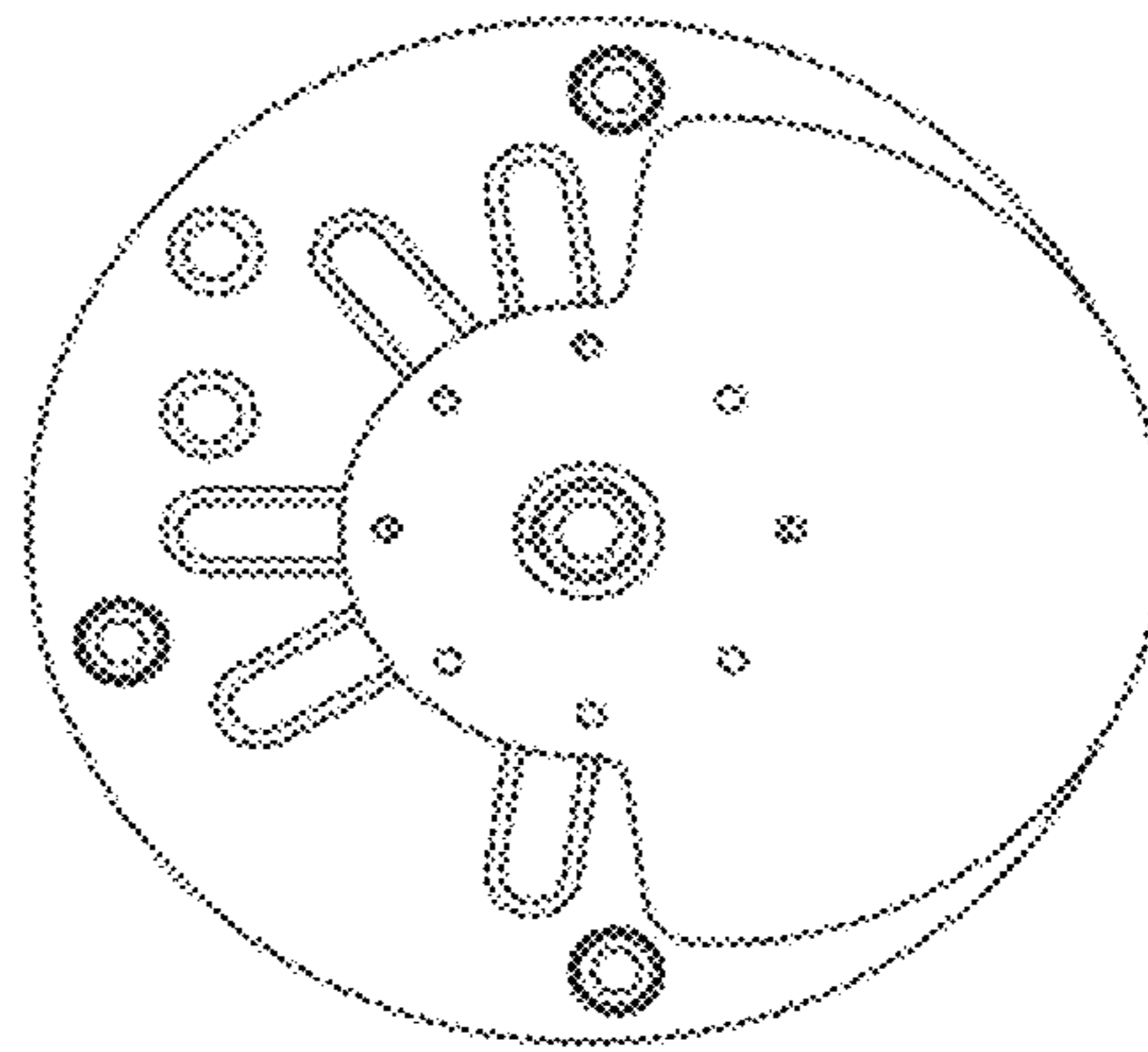


FIG. 4

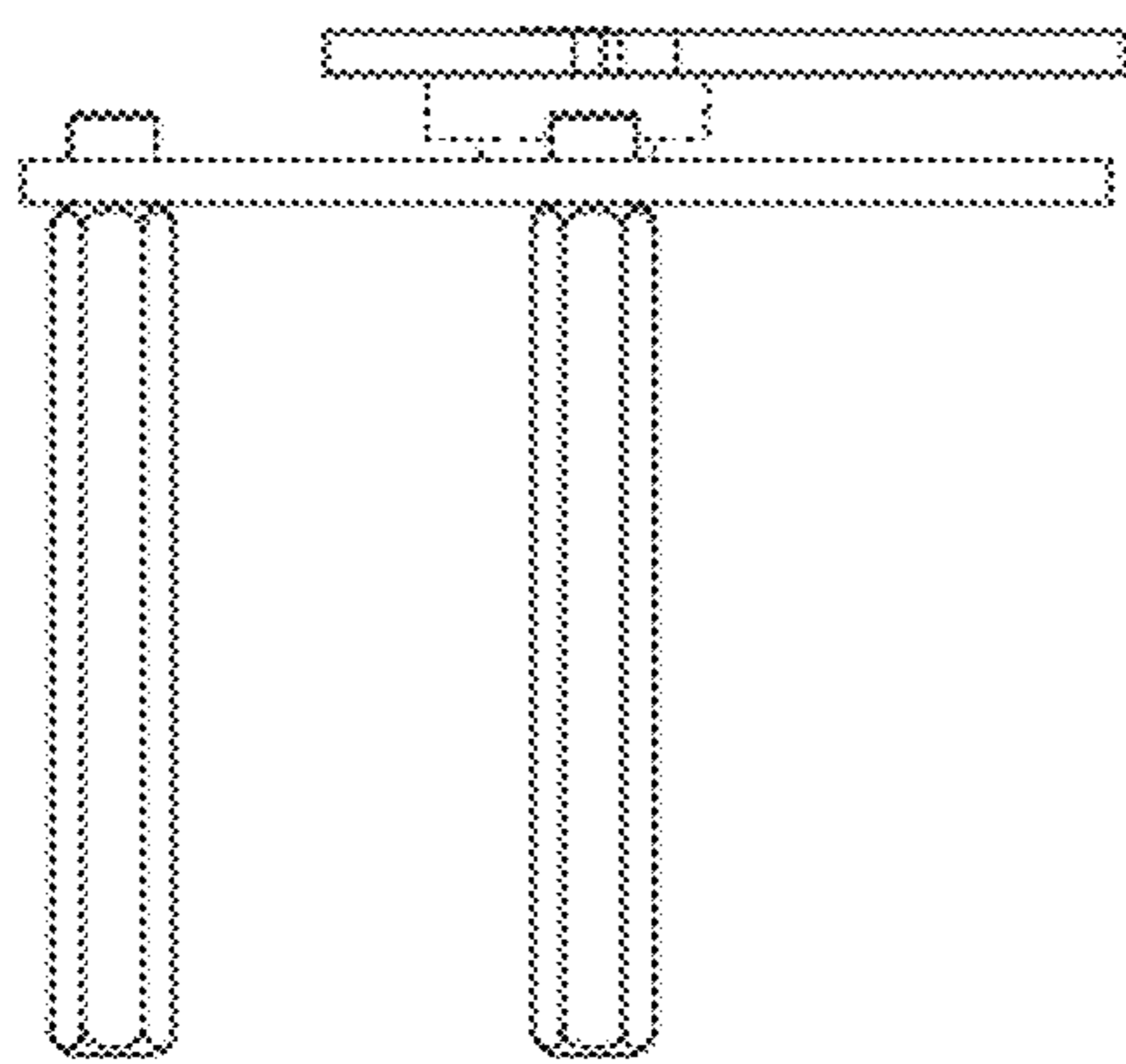


FIG. 7

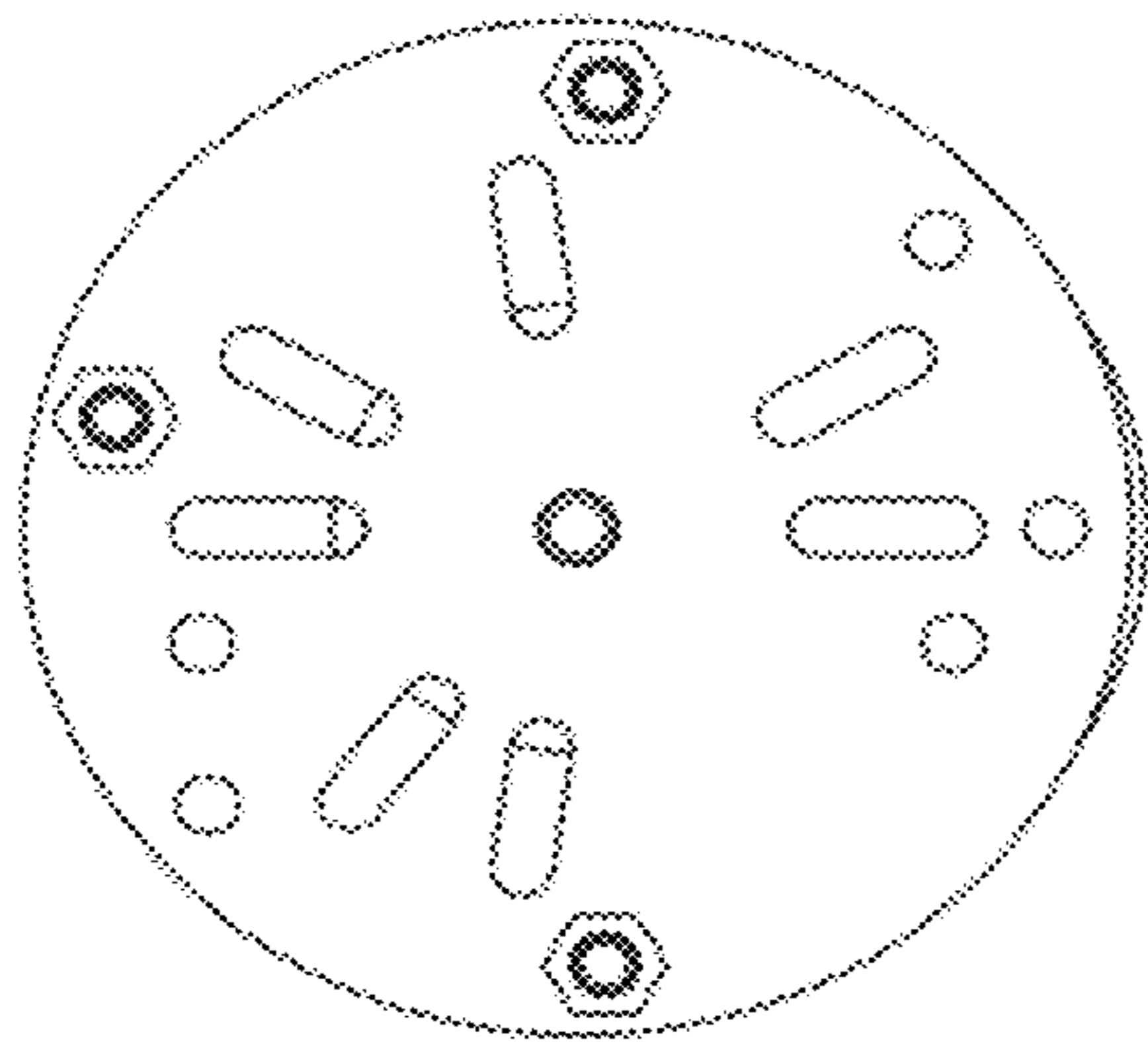


FIG. 6

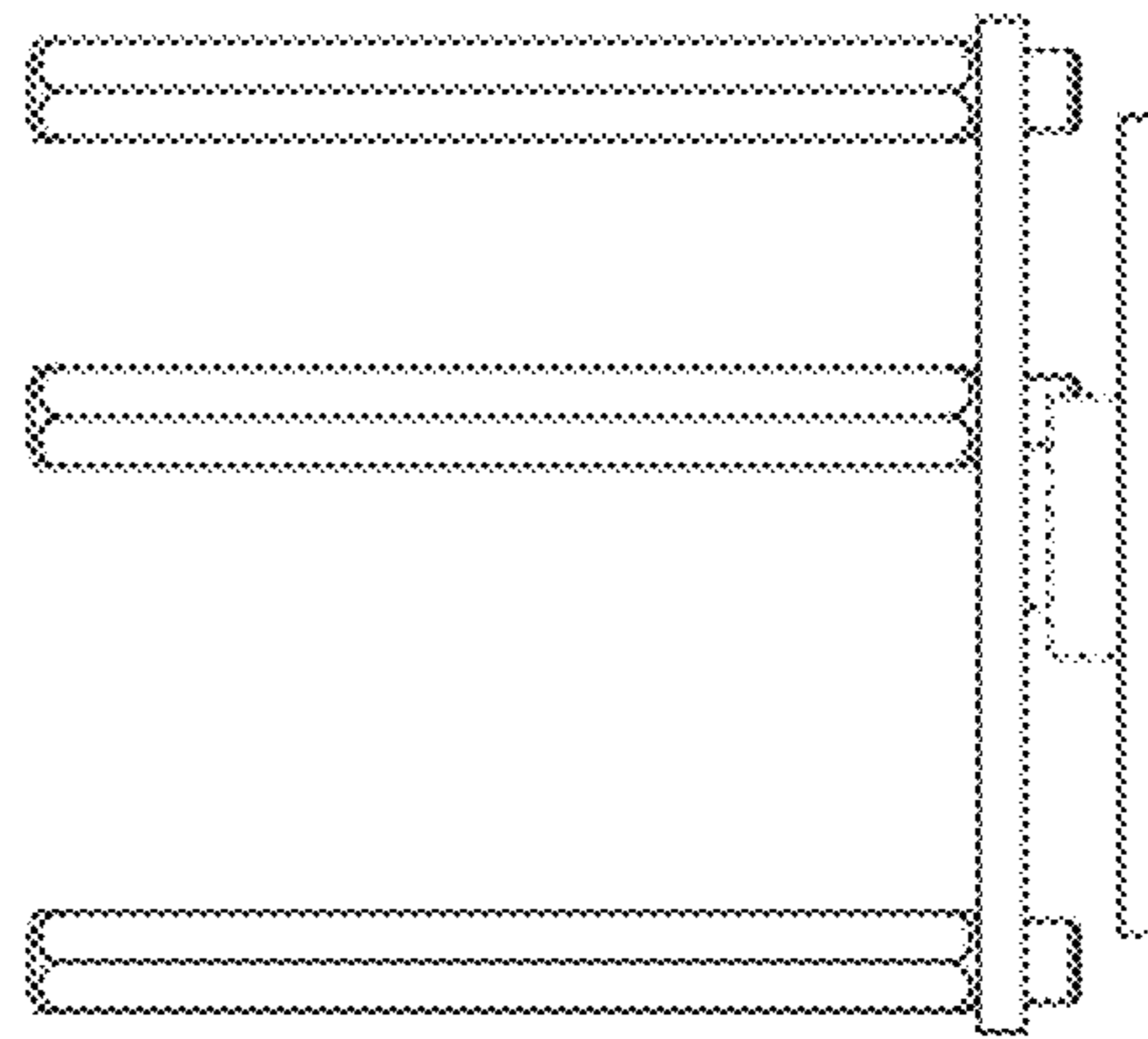


FIG. 8