

US00D675145S

(12) **United States Design Patent**
Kim et al.

(10) **Patent No.:** **US D675,145 S**

(45) **Date of Patent:** **** Jan. 29, 2013**

(54) **WIPER FOR A VEHICLE**

(75) Inventors: **Kwanhee Kim**, Daegu (KR); **Jaehyuck An**, Daegu (KR); **Woosung Lee**, Daegu (KR)

(73) Assignee: **KCW Corporation**, Daegu (KR)

(**) Term: **14 Years**

(21) Appl. No.: **29/395,953**

(22) Filed: **Apr. 25, 2012**

(30) **Foreign Application Priority Data**

Apr. 4, 2012 (KR) 30-2012-0015800

(51) **LOC (9) Cl.** **12-06**

(52) **U.S. Cl.** **D12/219**

(58) **Field of Classification Search** D12/219-220;
15/246, 247, 250.001, 250.4, 250.361, 250.19,
15/250.48, 250.03, 250.31-250.33, 250.351,
15/250.38, 250.201, 250.451, 250.458, 250.04,
15/250.07, 250.44

See application file for complete search history.

(56) **References Cited**

U.S. PATENT DOCUMENTS

D370,199 S *	5/1996	Kim	D12/219
D379,613 S *	6/1997	Chen	D12/219
D382,848 S *	8/1997	Chen	D12/219
2006/0191093 A1 *	8/2006	Boland et al.	15/250.32
2008/0078051 A1 *	4/2008	Herring et al.	15/250.001
2010/0139026 A1 *	6/2010	Ku	15/250.201

2010/0154158 A1 *	6/2010	Boland	15/250.32
2010/0180396 A1 *	7/2010	Van De Rostyne	15/250.48
2010/0299862 A1 *	12/2010	Boland	15/250.32
2012/0005856 A1 *	1/2012	Jones	15/250.07
2012/0030894 A1 *	2/2012	Garrastacho et al.	15/250.201
2012/0144616 A1 *	6/2012	Kim	15/250.32

* cited by examiner

Primary Examiner — Katrina A Betton

(74) *Attorney, Agent, or Firm* — Edwards Wildman Palmer LLP

(57) **CLAIM**

The ornamental design for a wiper for a vehicle, as shown and described.

DESCRIPTION

FIG. 1 is a perspective view of a wiper for a vehicle according to the present invention.

FIG. 2 is a front view of the wiper for a vehicle of FIG. 1.

FIG. 3 is a rear view of the wiper for a vehicle of FIG. 1.

FIG. 4 is a left side view of the wiper for a vehicle of FIG. 1.

FIG. 5 is a right side view of the wiper for a vehicle of FIG. 1.

FIG. 6 is a top view of the wiper for a vehicle of FIG. 1.

FIG. 7 is a bottom view of the wiper for a vehicle of FIG. 1.

FIG. 8 is an enlarged perspective view of central portion of the wiper for a vehicle of FIG. 1.

FIG. 9 is an enlarged left side view of the wiper for a vehicle of FIG. 1; and,

FIG. 10 is an enlarged right side view of the wiper for a vehicle of FIG. 1.

1 Claim, 7 Drawing Sheets

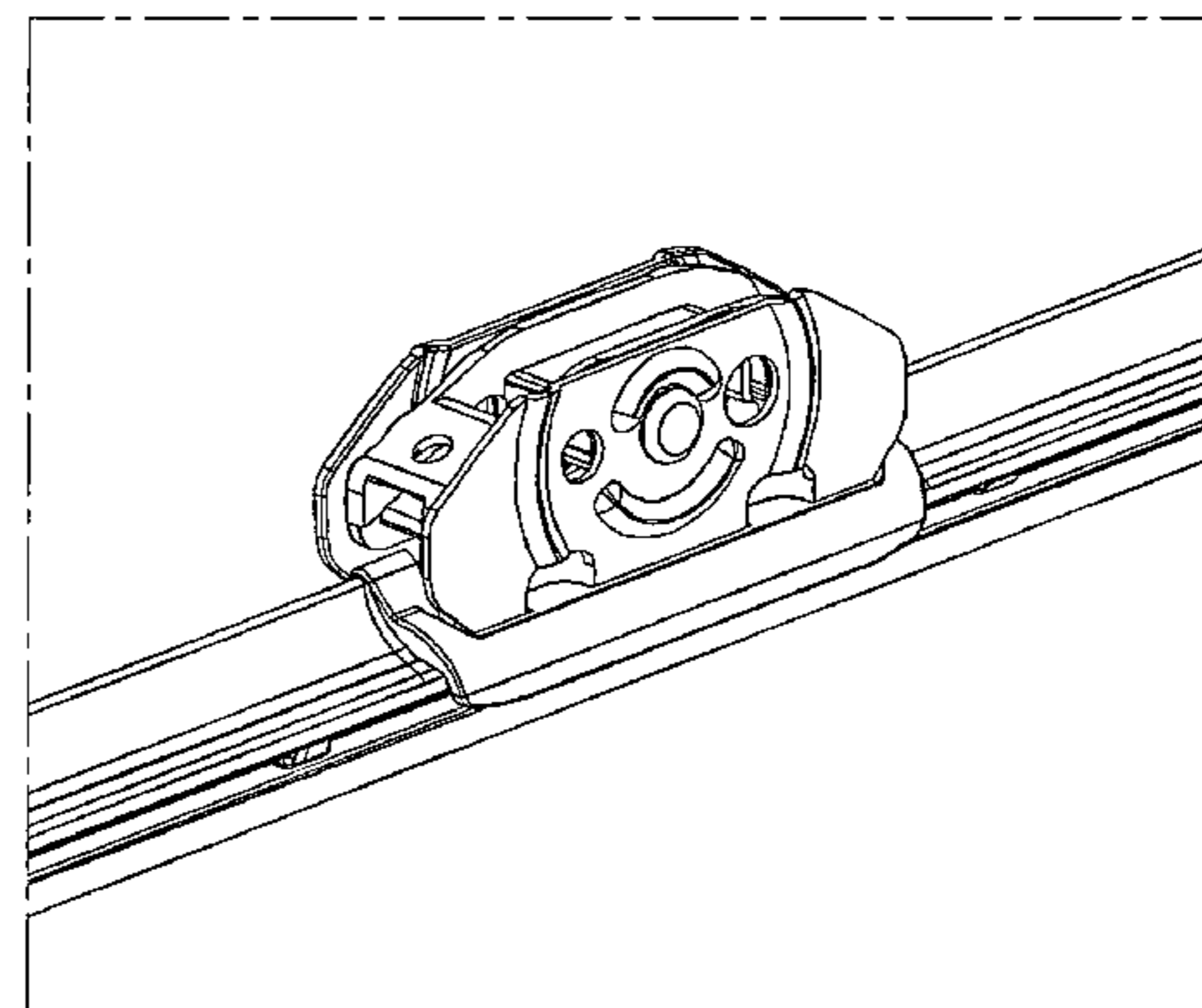
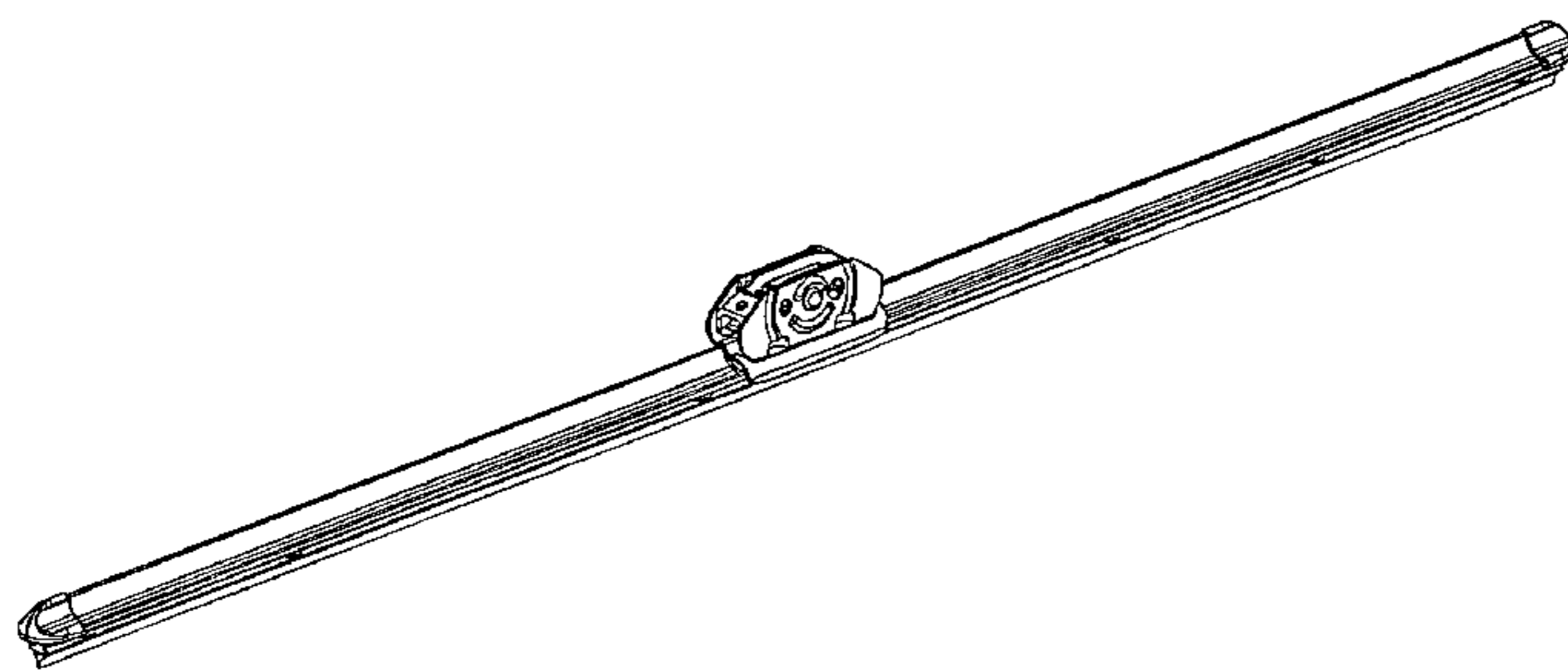


FIG. 1

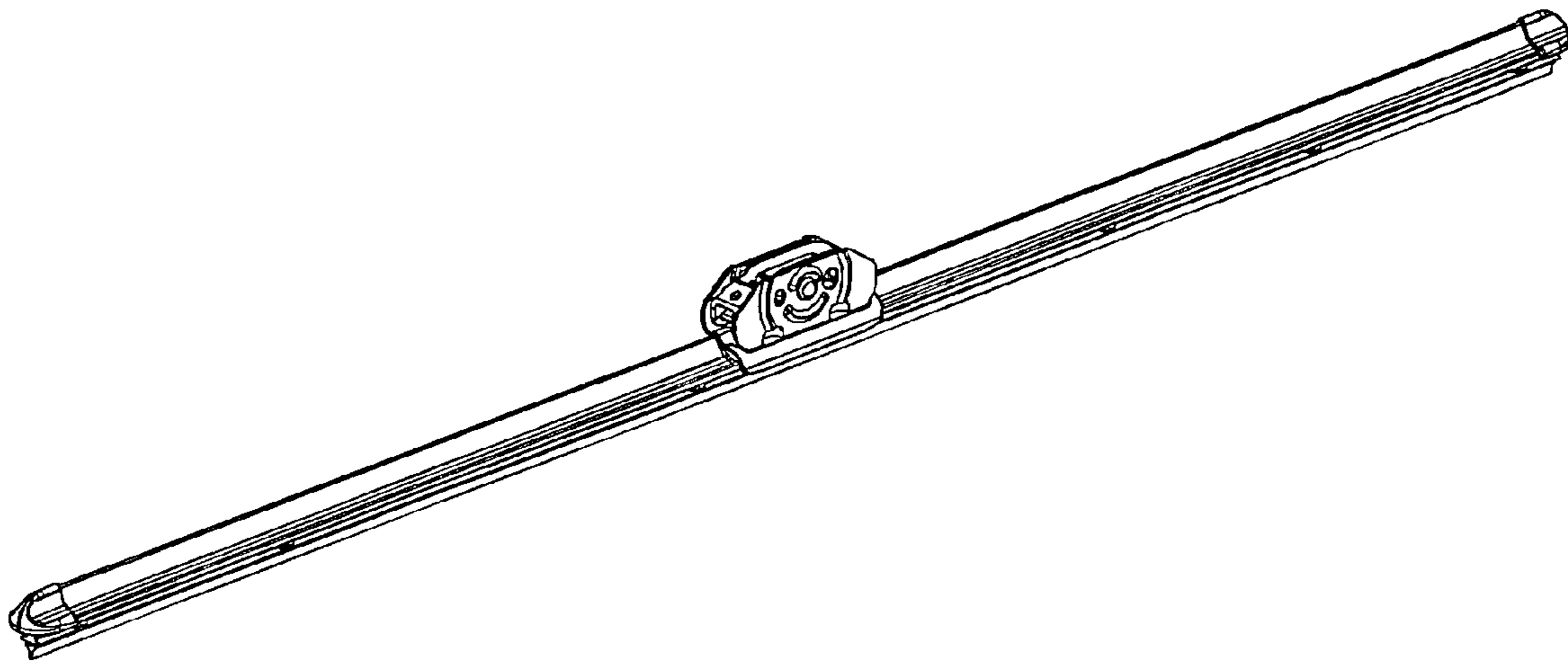


FIG. 2



FIG. 3



FIG. 4



FIG. 5



FIG. 6



FIG. 7



FIG. 8

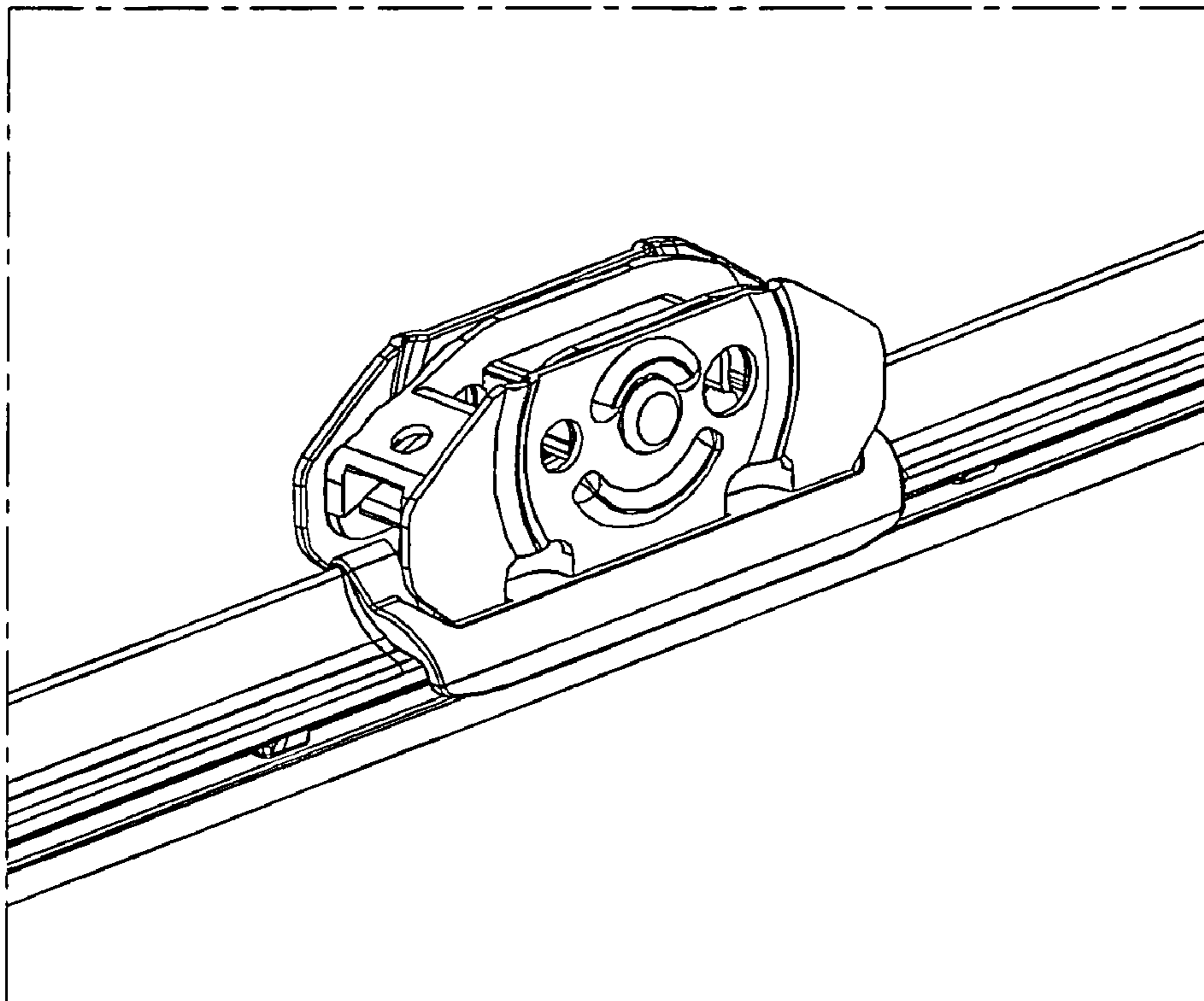


FIG. 9

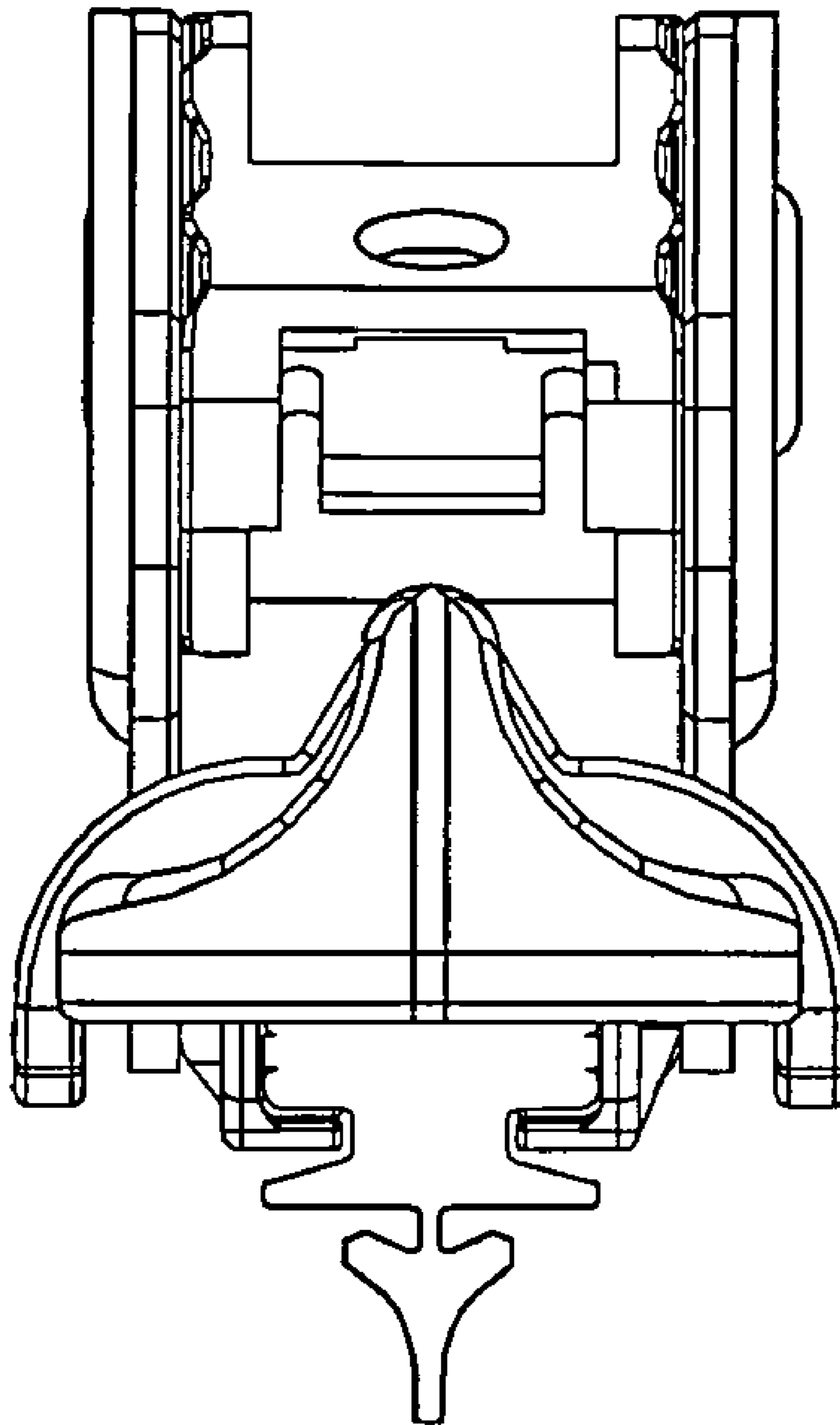


FIG. 10

