



US00D675143S

(12) **United States Design Patent**
Gebert et al.

(10) **Patent No.:** **US D675,143 S**
(45) **Date of Patent:** **** Jan. 29, 2013**

(54) **VEHICLE WHEEL RIM**

(75) Inventors: **Reinhard Gebert**, Wolfach (DE); **Karl Heizmann**, Oberwolfach (DE)

(73) Assignee: **BBS of America, Inc.**, Braselton, GA (US)

(**) Term: **14 Years**

(21) Appl. No.: **29/391,093**

(22) Filed: **May 3, 2011**

(30) **Foreign Application Priority Data**

Nov. 17, 2010 (EP) 001782327-0001
(51) **LOC (9) Cl.** **12-16**
(52) **U.S. Cl.** **D12/209**
(58) **Field of Classification Search** D12/204-213;
301/37.101, 64.101, 65, 64.201
See application file for complete search history.

(56) **References Cited**

U.S. PATENT DOCUMENTS

D284,000 S	5/1986	Braungart	
D329,416 S	9/1992	Braungart et al.	
D333,648 S	3/1993	Schwenk	
D344,924 S	3/1994	Braungart et al.	
D353,571 S	12/1994	Braungart et al.	
D395,270 S	6/1998	Baumgartner et al.	
D396,208 S	7/1998	Baumgartner et al.	
D398,898 S	9/1998	Baumgartner et al.	
D405,409 S	2/1999	Baumgartner	
D406,092 S	2/1999	Baumgartner	
D417,646 S	12/1999	Baumgartner	
D423,445 S	4/2000	Baumgartner	
D427,558 S *	7/2000	Neeper	D12/211
D471,503 S	3/2003	Baumgartner	
D475,674 S	6/2003	Baumgartner	
D476,283 S	6/2003	Baumgartner	
D515,966 S	2/2006	Loy	
D528,063 S *	9/2006	Schell	D12/211
D532,355 S	11/2006	Baumgartner	
D533,825 S	12/2006	Baumgartner	
D539,204 S *	3/2007	Pollmann	D12/209
D539,724 S *	4/2007	Muzzarelli	D12/211
D541,202 S	4/2007	Baumgartner	
D547,251 S *	7/2007	Baum	D12/209
D573,932 S	7/2008	Laengerer	
D592,119 S	5/2009	Heizmann	

D596,763 S	7/2009	Chappell	
D606,921 S *	12/2009	Thorsten	D12/211
D606,922 S	12/2009	Thorsten	
D620,862 S *	8/2010	Pollmann	D12/209
D624,861 S *	10/2010	Zhao	D12/209
D626,052 S *	10/2010	Majdandzic	D12/209
D645,390 S *	9/2011	De Bono	D12/209
D649,102 S *	11/2011	Gallert	D12/211
D649,103 S *	11/2011	Gallert	D12/211

OTHER PUBLICATIONS

U.S. Appl. No. 11/629,757, filed Sep. 6, 2007, Baumgartner.

* cited by examiner

Primary Examiner — Stacia Cadmus

(74) *Attorney, Agent, or Firm* — Andrew F. Young, Esq.;
Lackebach Siegel, LLP

(57) **CLAIM**

The ornamental design for a vehicle wheel rim, as shown and described.

DESCRIPTION

FIG. 1 is a right perspective view of a first embodiment of the invention.

FIG. 2 is a front elevation view of FIG. 1.

FIG. 3 is a left perspective view of FIG. 1.

FIG. 4 is a left side elevation view of FIG. 1, the right side, top plan, and bottom plan views being mirror images thereof due to the circular shape.

FIG. 5 is a partial perspective view of FIG. 1, as an illustrative aid, noting the details therein.

FIG. 6 is a right perspective view of a second embodiment of the invention.

FIG. 7 is a front elevation view of FIG. 6.

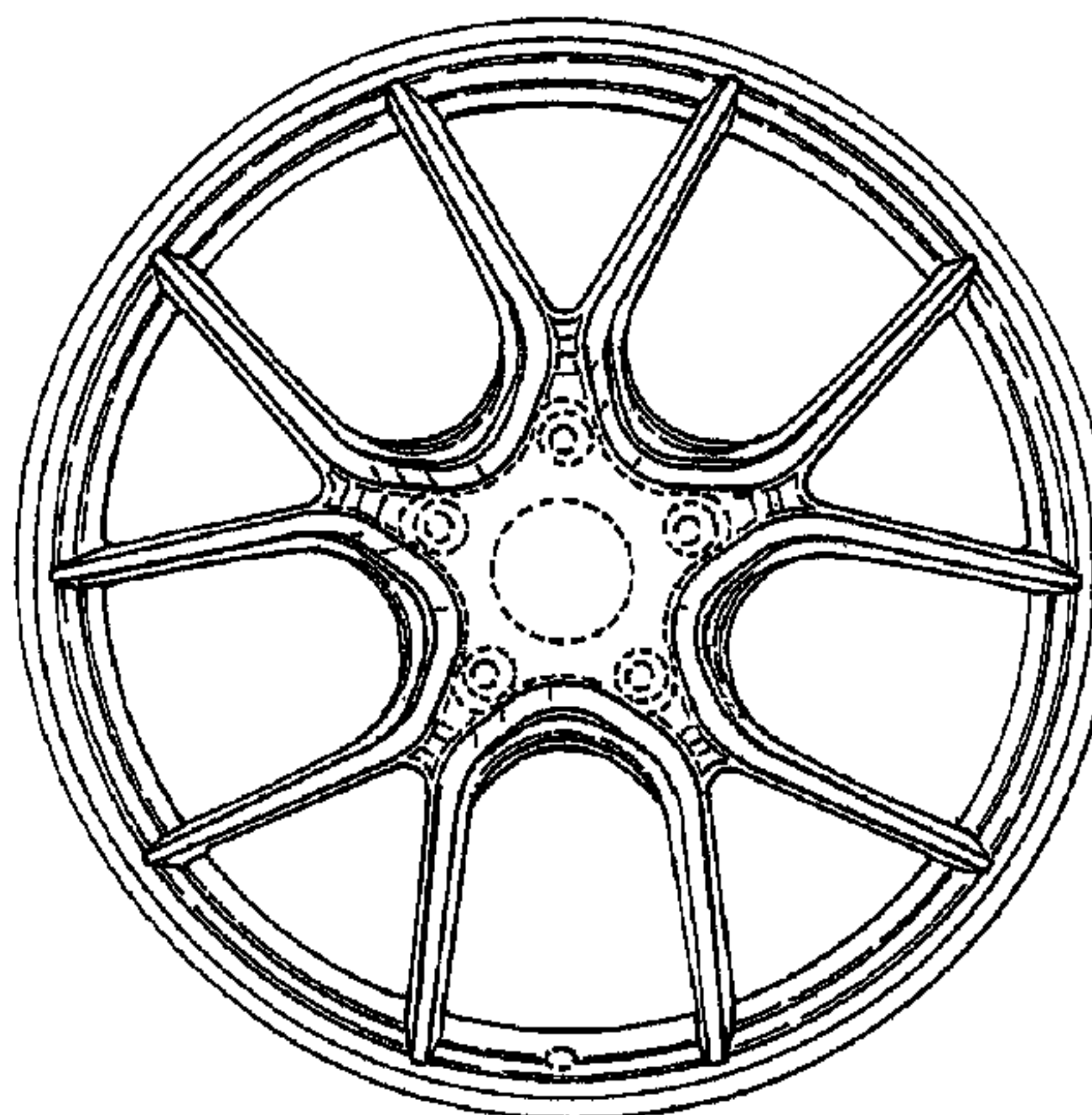
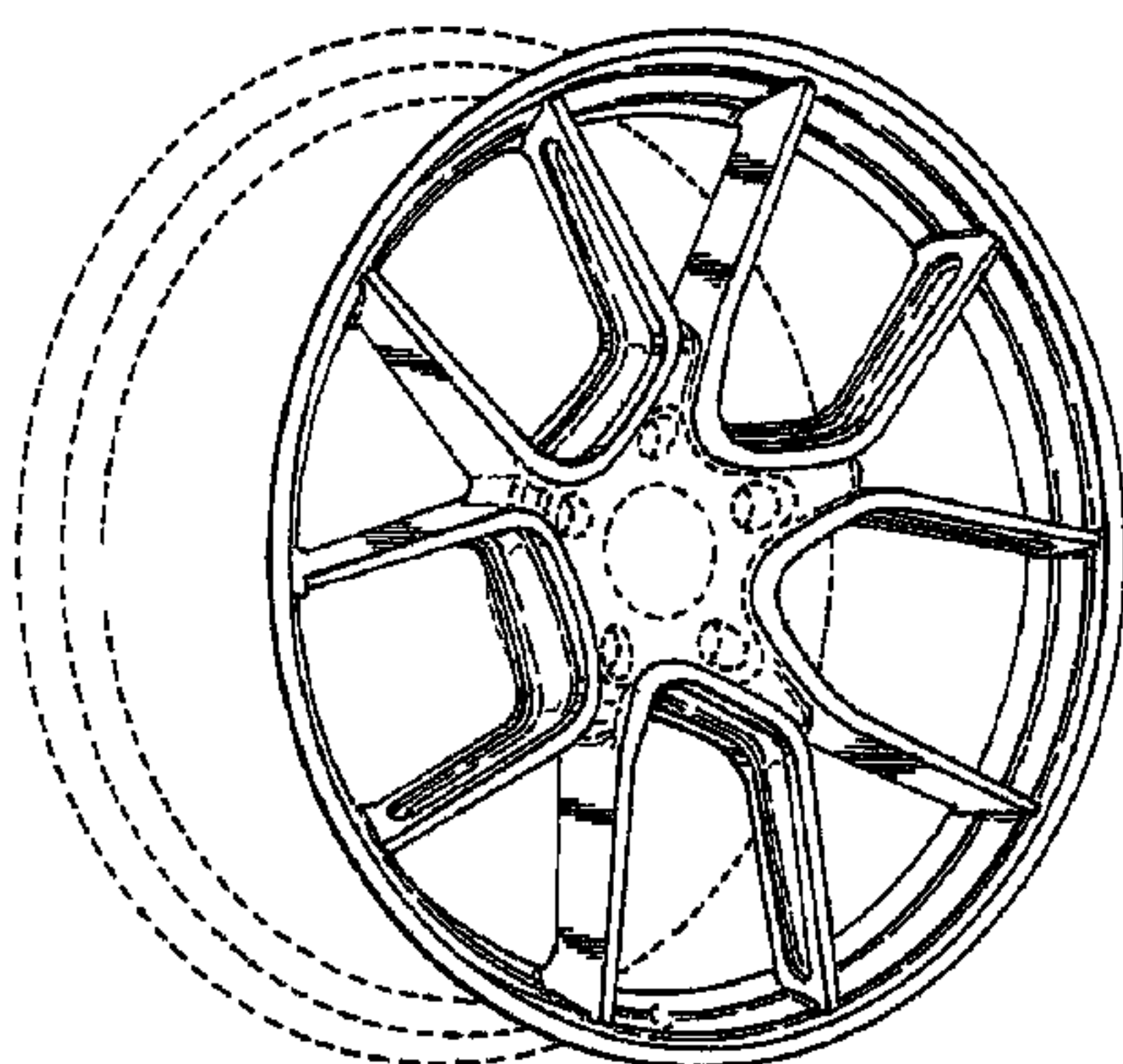
FIG. 8 is a left perspective view of FIG. 6.

FIG. 9 is a left side elevation view of FIG. 6, the right side, top plan, and bottom plan views being mirror images thereof due to the circular shape; and,

FIG. 10 is a partial perspective view of FIG. 6, as an illustrative aid, noting the details therein.

The broken line showing of the rear of the wheel, the valve stem hole, the bolt holes and center opening in the central hub area and portions of the rim spoke sides is included for the purpose of illustrating environment and forms no part of the claimed design.

1 Claim, 6 Drawing Sheets



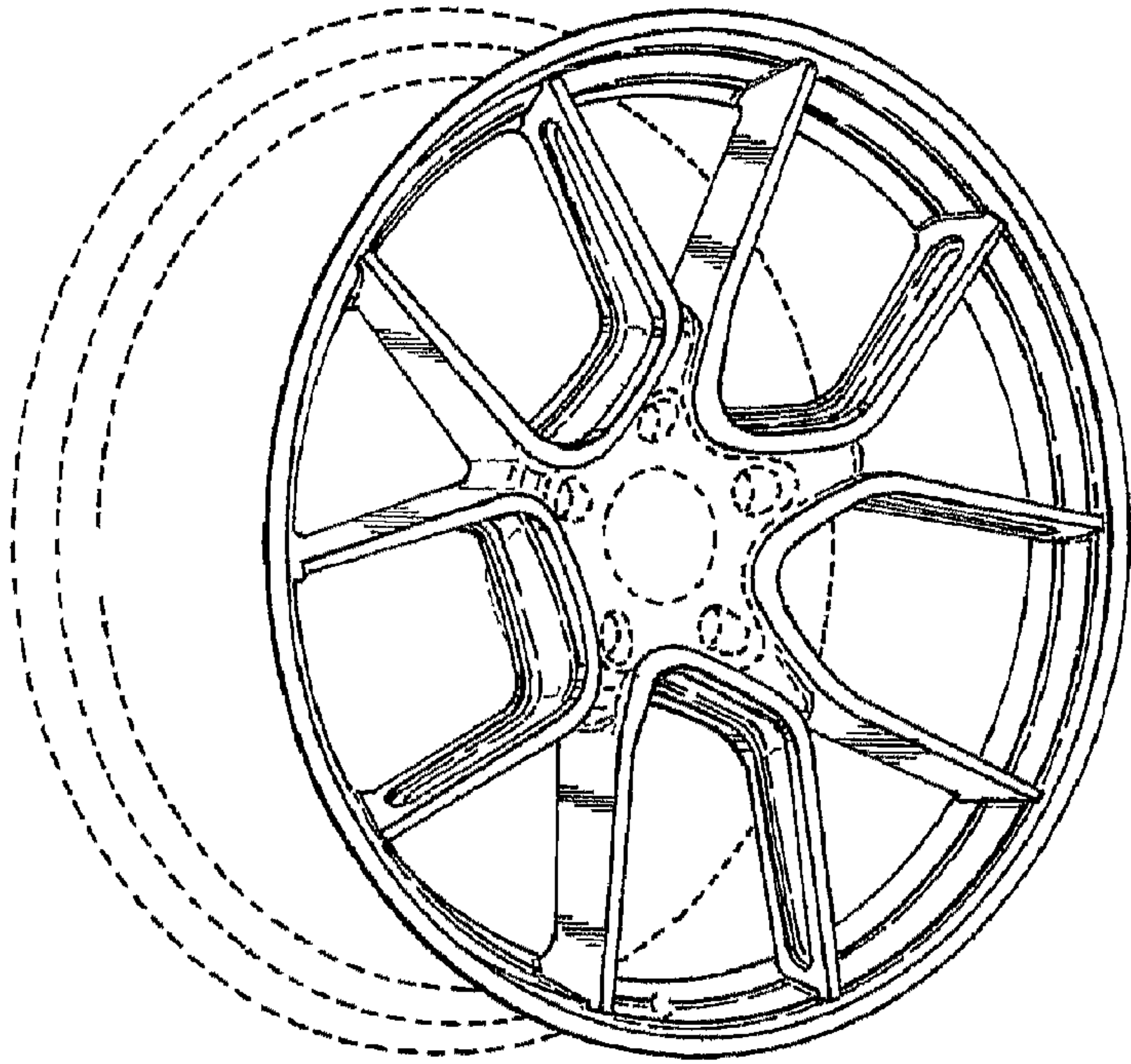


Fig. 1

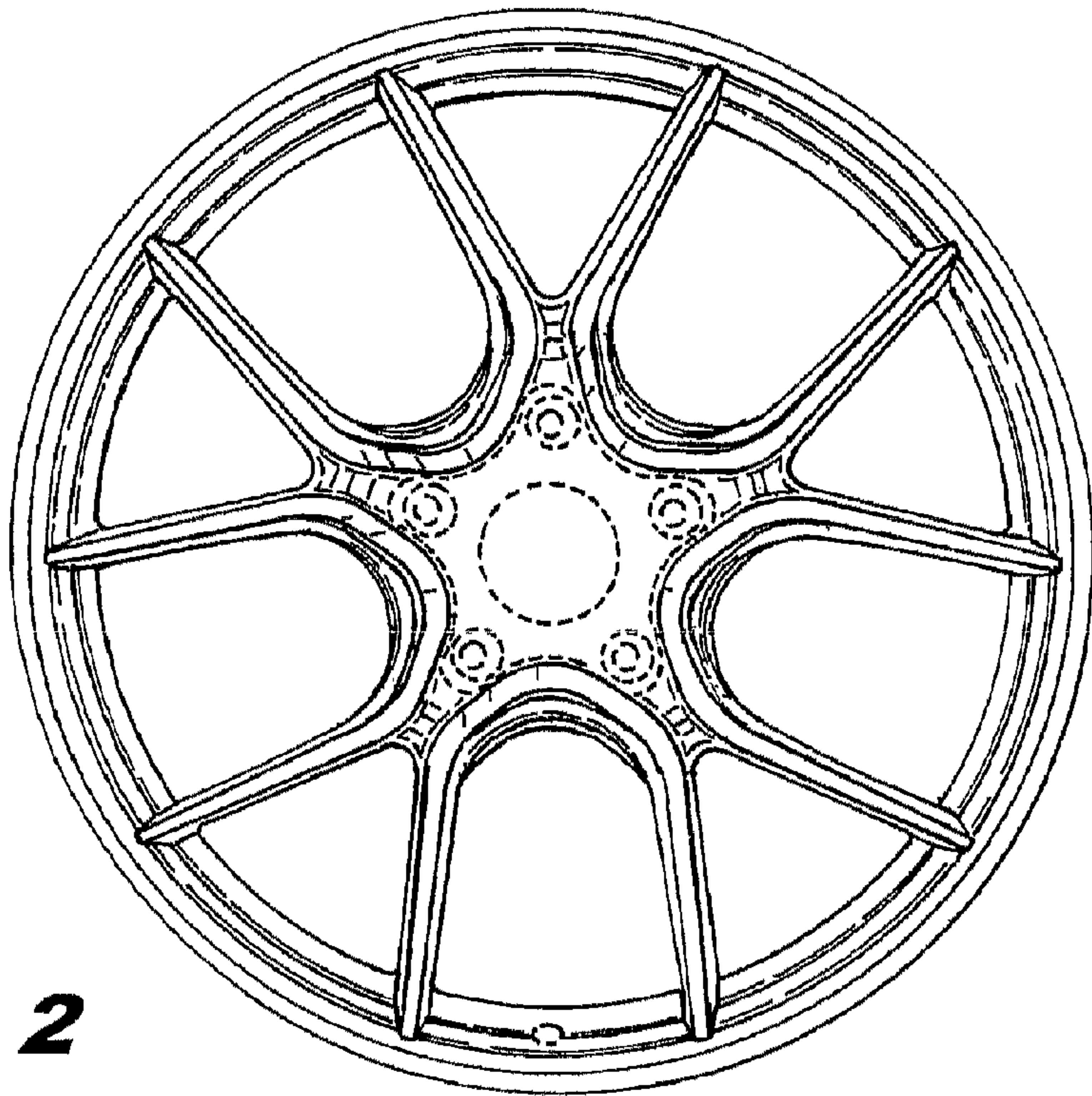


Fig. 2

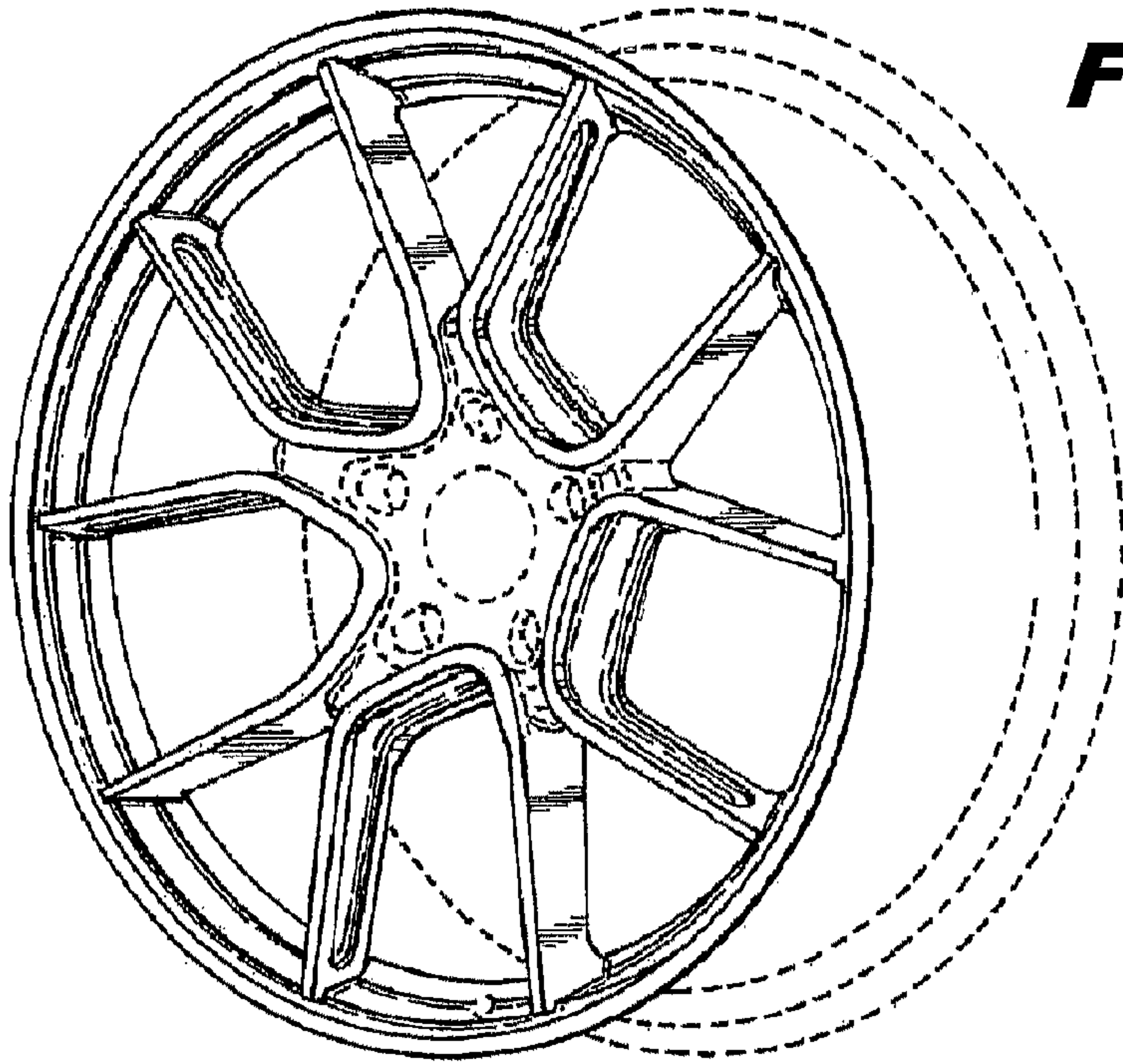


Fig. 3

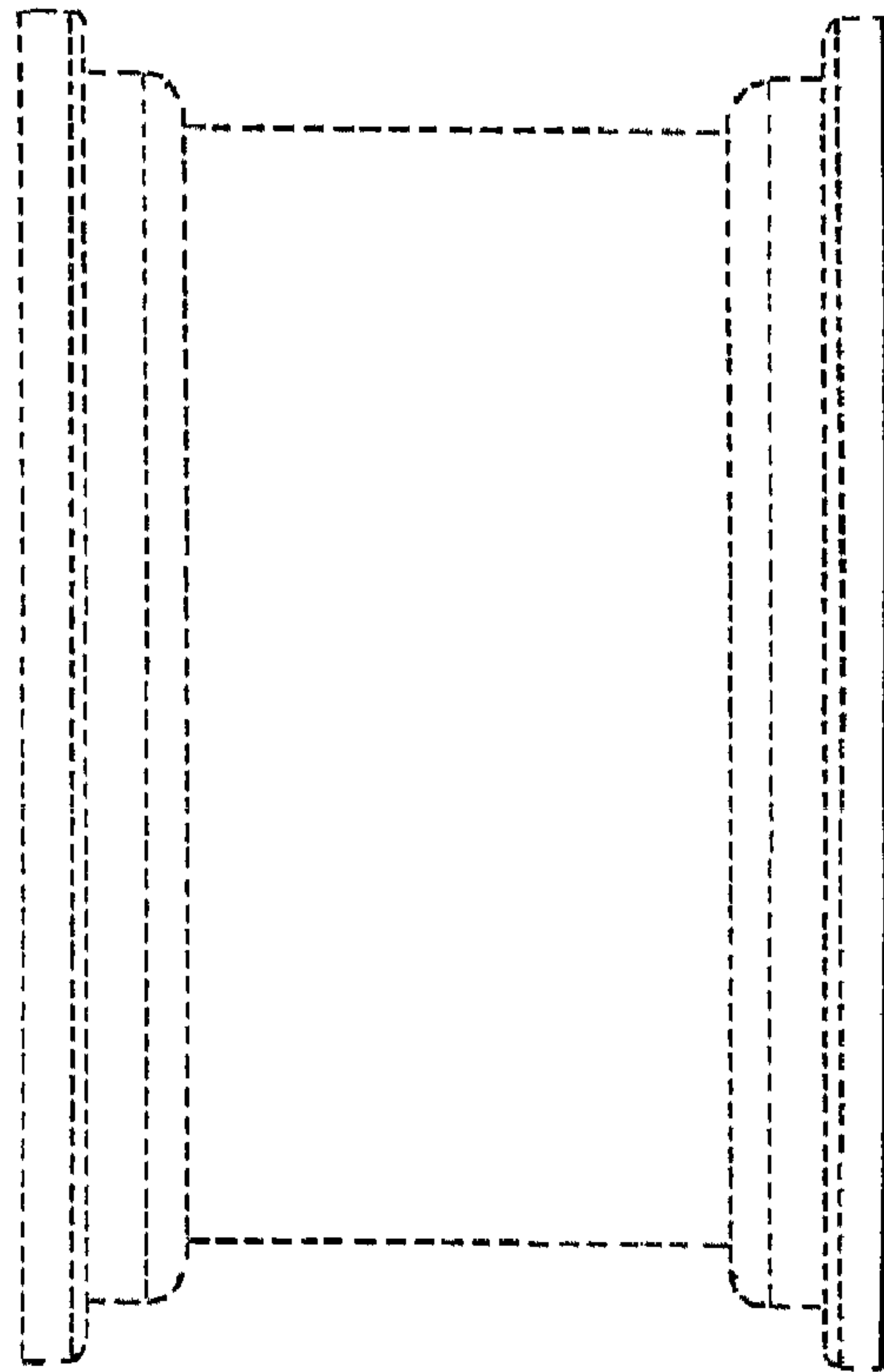


Fig. 4

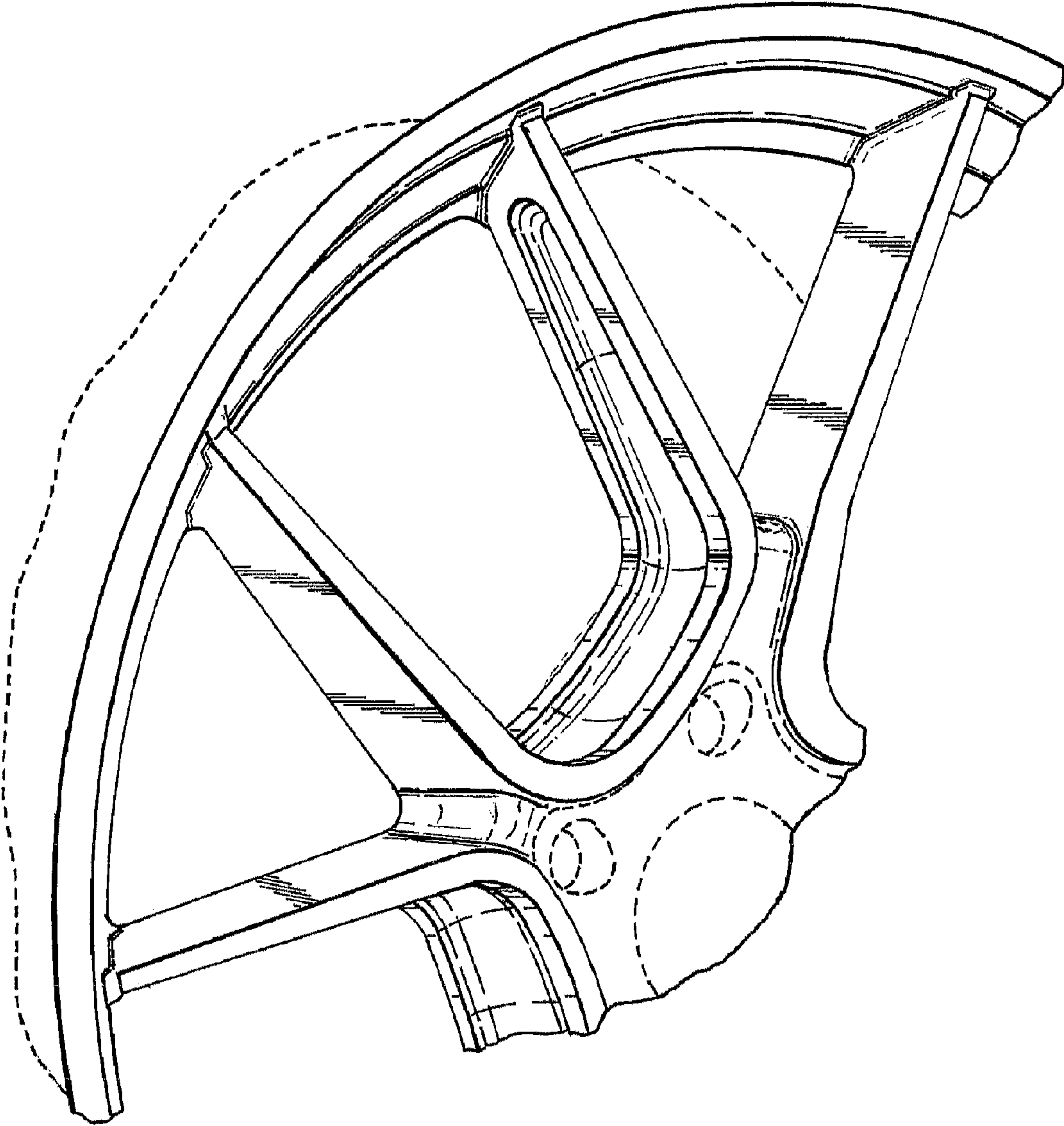


Fig. 5

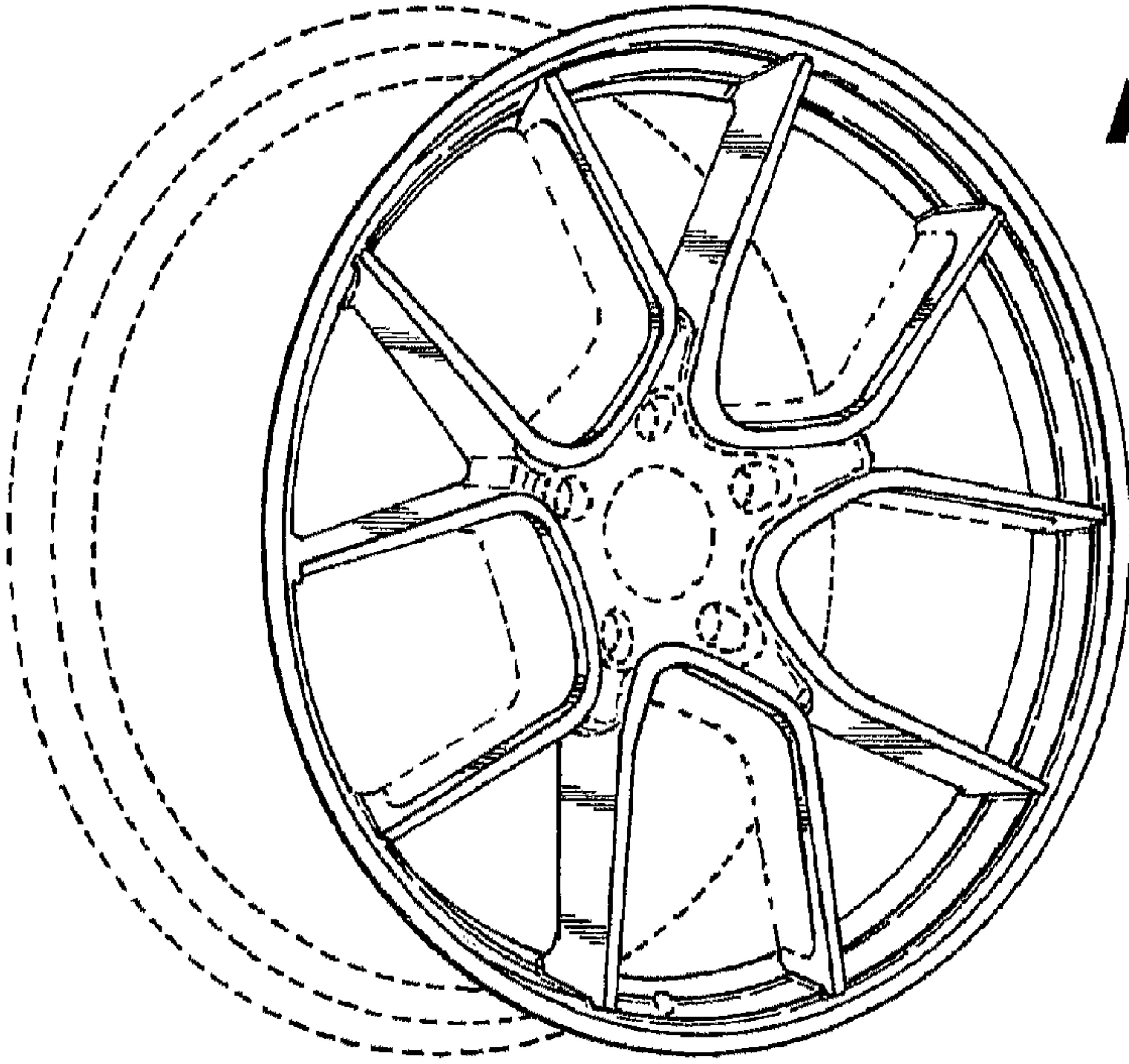


Fig. 6

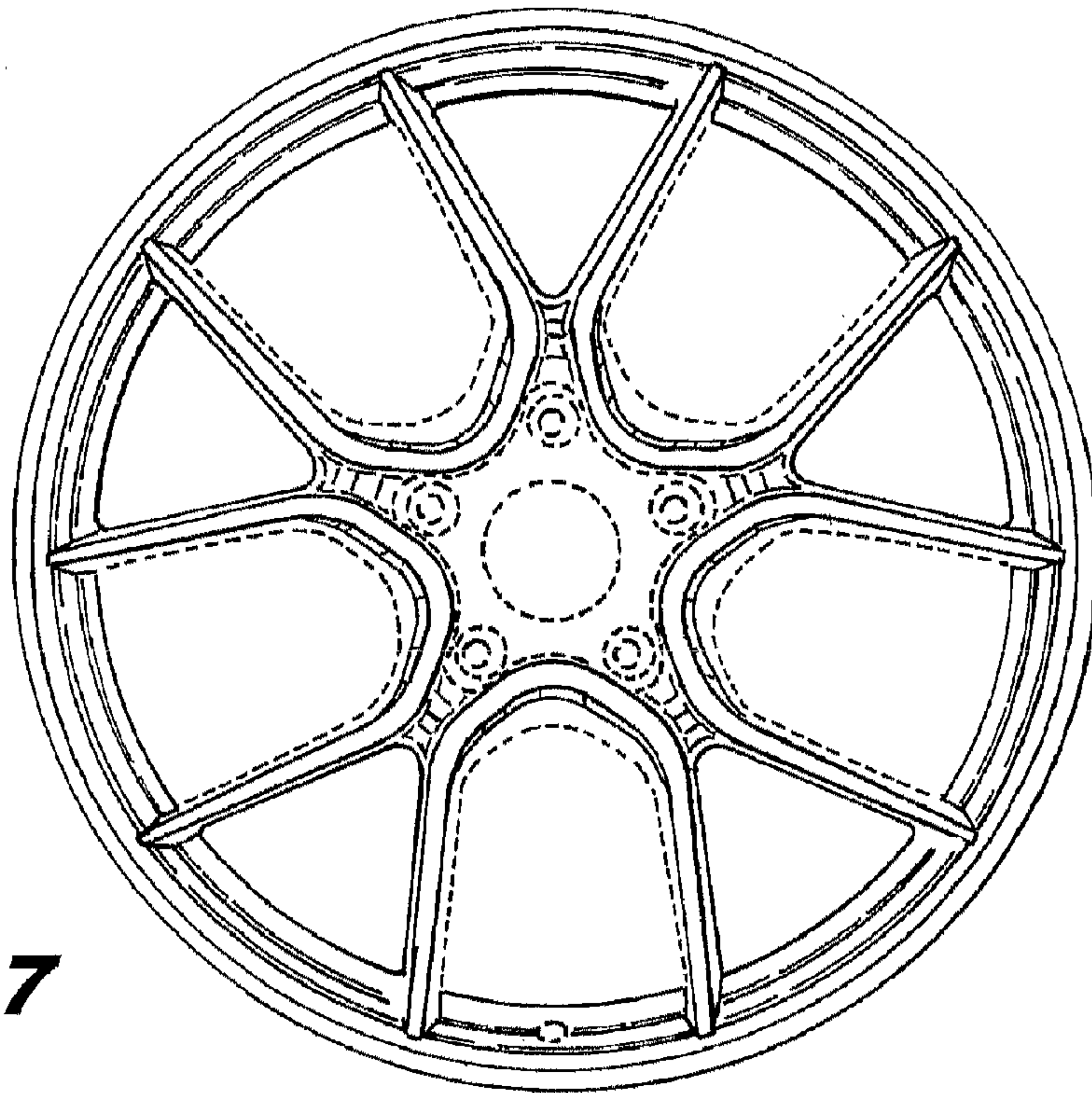


Fig. 7

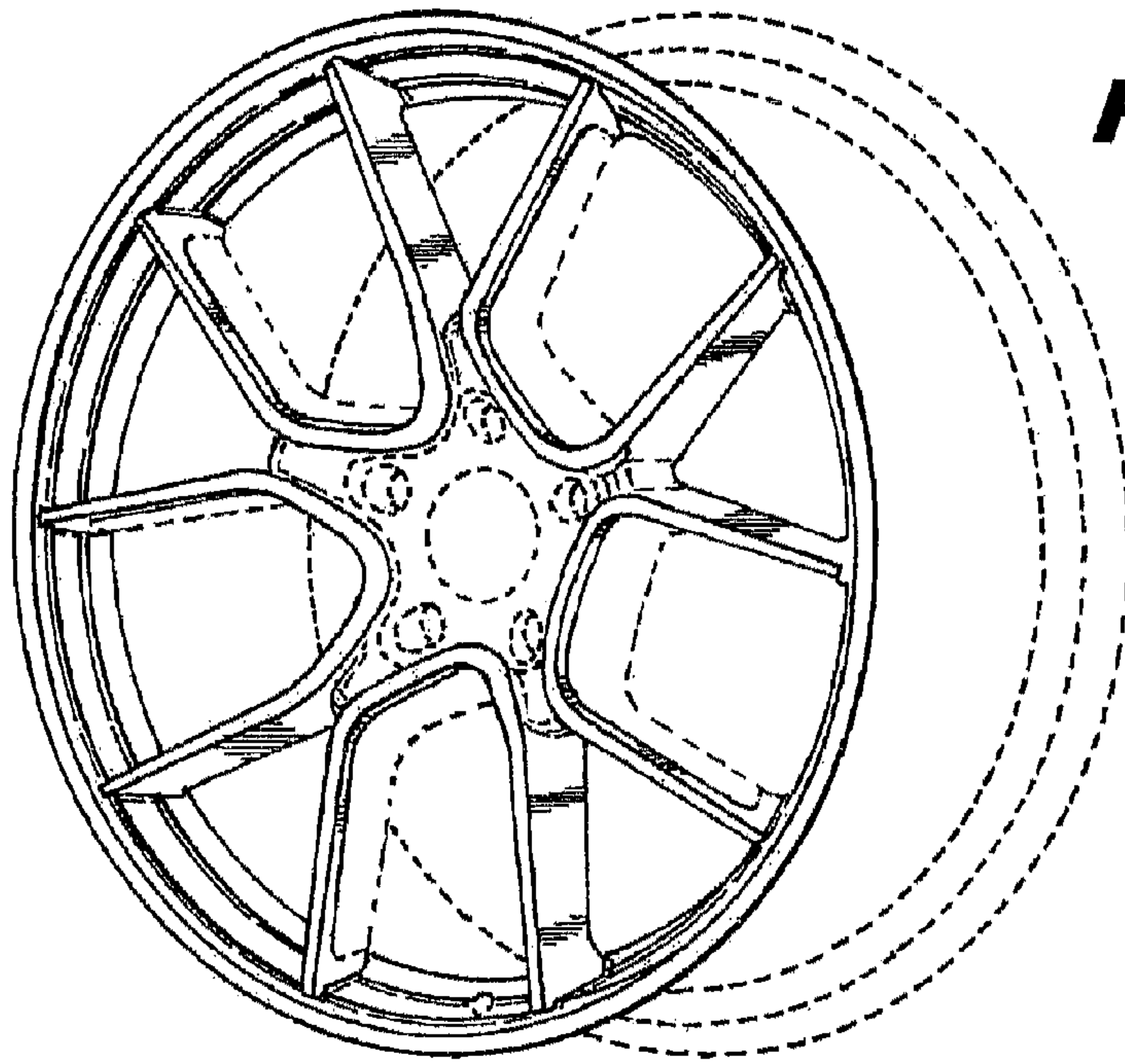


Fig. 8

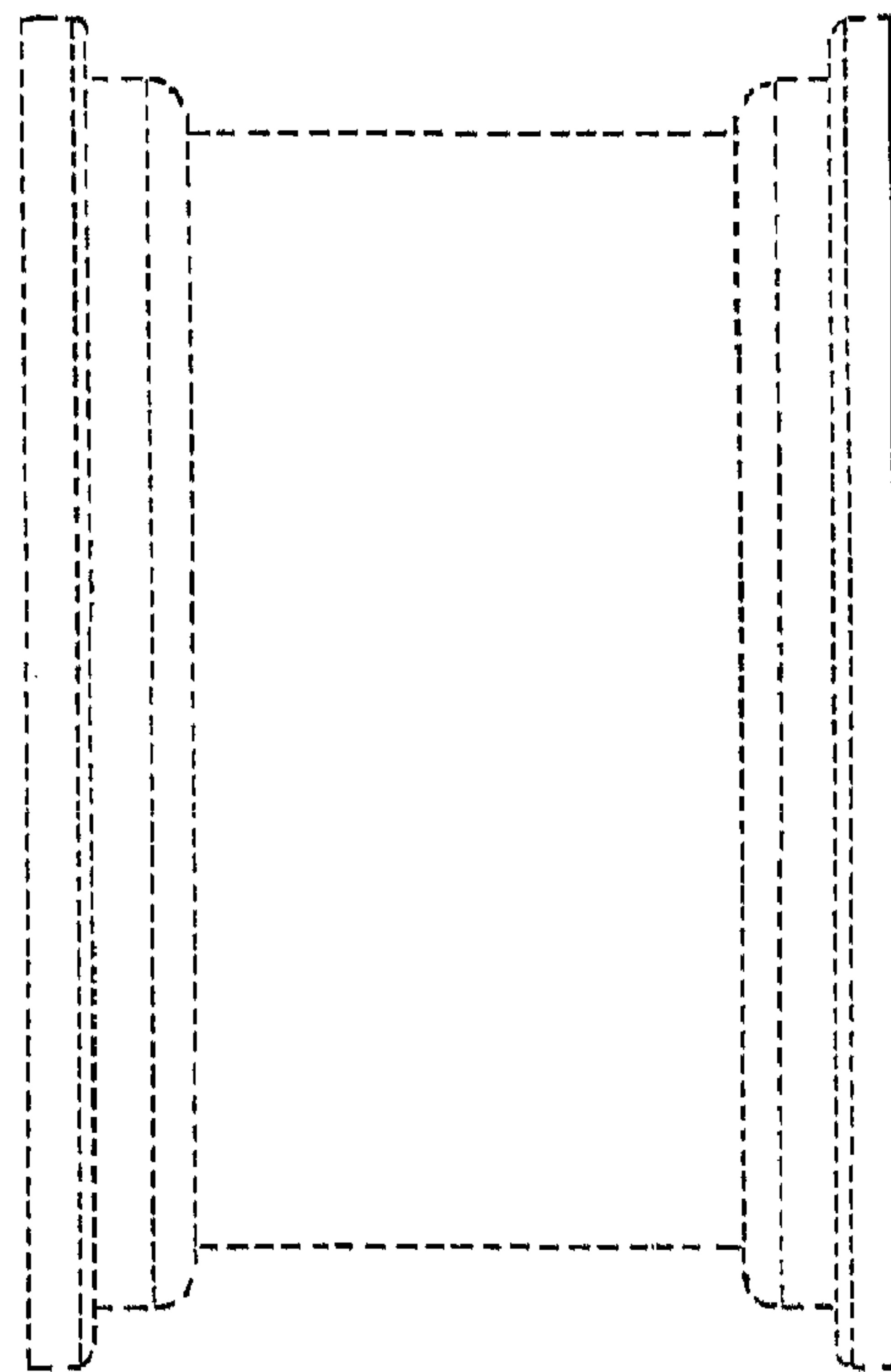


Fig. 9

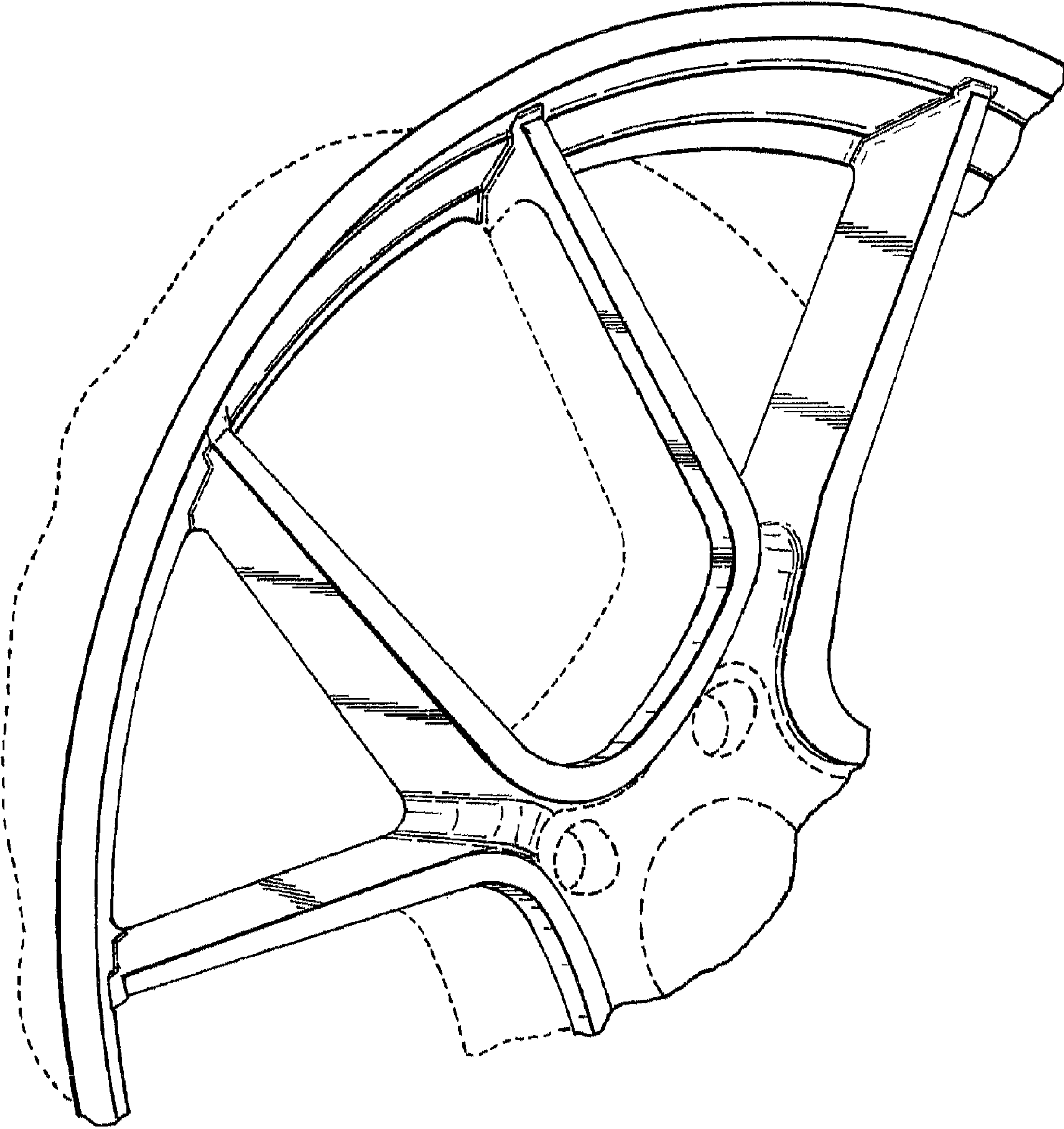


Fig. 10