



US00D675140S

(12) **United States Design Patent**  
**Ohkoshi**

(10) **Patent No.:** **US D675,140 S**  
(45) **Date of Patent:** **\*\* Jan. 29, 2013**

(54) **REAR BUMPER FOR AUTOMOBILE**

(75) Inventor: **Naoyuki Ohkoshi**, Kanagawa (JP)  
(73) Assignee: **Nissan Motor Co., Ltd.**, Yokohama (JP)  
(\*\*) Term: **14 Years**

(21) Appl. No.: **29/407,510**

(22) Filed: **Nov. 30, 2011**

(51) **LOC (9) Cl.** ..... **12-16**

(52) **U.S. Cl.** ..... **D12/169**

(58) **Field of Classification Search** ..... D12/163,  
D12/171, 196, 216, 90-92, 86, 164, 169;  
293/102, 103, 105, 112, 113, 115, 117; 296/180.1,  
296/180.2

See application file for complete search history.

(56) **References Cited**

**U.S. PATENT DOCUMENTS**

D624,856 S *	10/2010	Iwauchi et al.	.....	D12/169
D631,407 S *	1/2011	Kuze	.....	D12/169
D640,613 S *	6/2011	Bauer et al.	.....	D12/169
D659,610 S *	5/2012	Tanaka	.....	D12/169
D663,657 S *	7/2012	Frenzel et al.	.....	D12/169

**FOREIGN PATENT DOCUMENTS**

JP	D1321768 S	2/2008
JP	D1334563 S	6/2008
JP	D1346803 S	12/2008

**OTHER PUBLICATIONS**

[http://www.netcarshow.com/infiniti/2009-fx50/1024x768/wallpaper\\_06.htm](http://www.netcarshow.com/infiniti/2009-fx50/1024x768/wallpaper_06.htm).  
[http://www.netcarshow.com/infiniti/2011-ex30d/1024x768/wallpaper\\_12.htm](http://www.netcarshow.com/infiniti/2011-ex30d/1024x768/wallpaper_12.htm).

\* cited by examiner

*Primary Examiner* — Melody N Brown

(74) *Attorney, Agent, or Firm* — Global IP Counselors, LLP

(57) **CLAIM**

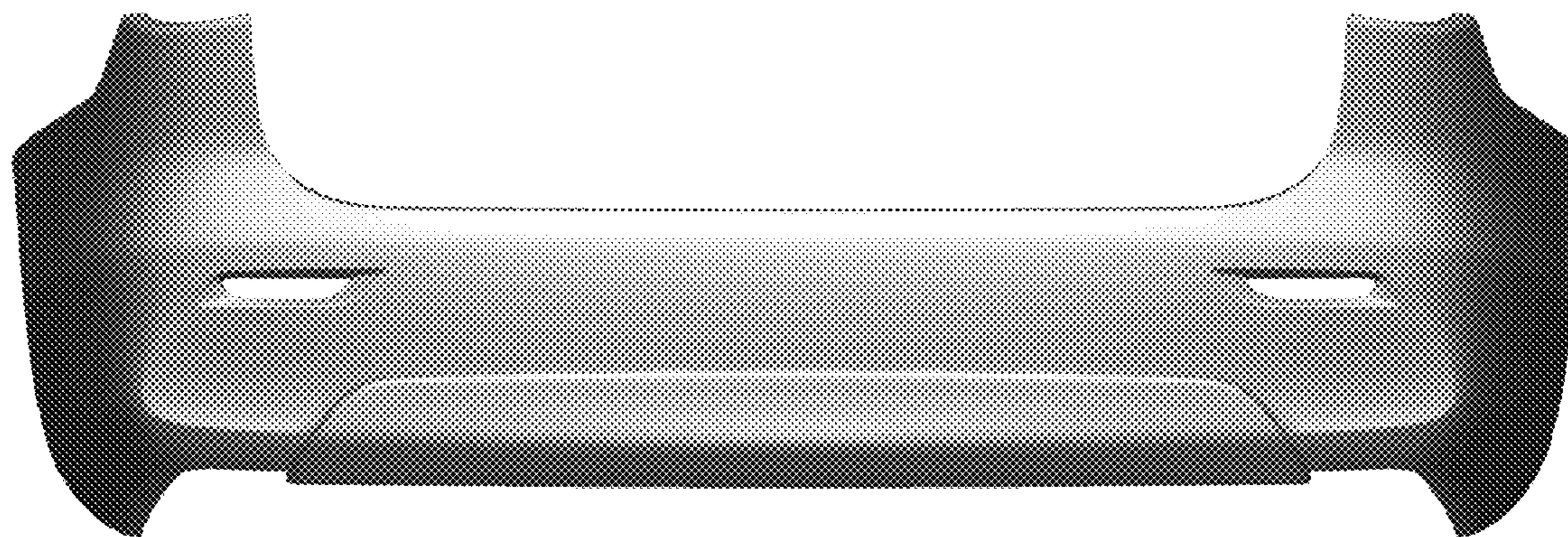
The ornamental design for a rear bumper for an automobile, as shown and described.

**DESCRIPTION**

FIG. 1 is a front elevational view of a rear bumper for an automobile showing my new design;  
FIG. 2 is a top plan view thereof;  
FIG. 3 is a bottom plan view thereof;  
FIG. 4 is a left side elevational view thereof;  
FIG. 5 is a right side elevational view thereof;  
FIG. 6 is a top, front, and right side perspective view thereof;  
and,  
FIG. 7 is a bottom, front, and left side perspective view thereof.

The rear view of the rear bumper forms no part of the claimed design.

**1 Claim, 7 Drawing Sheets**



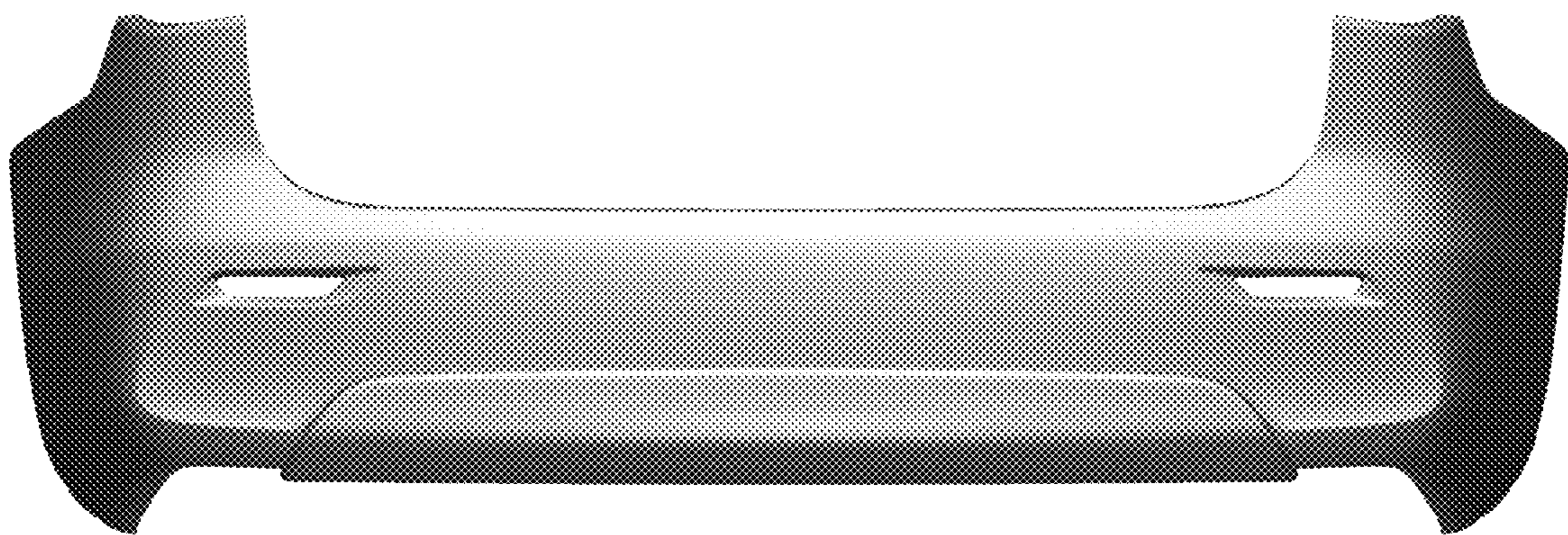


FIG. 1

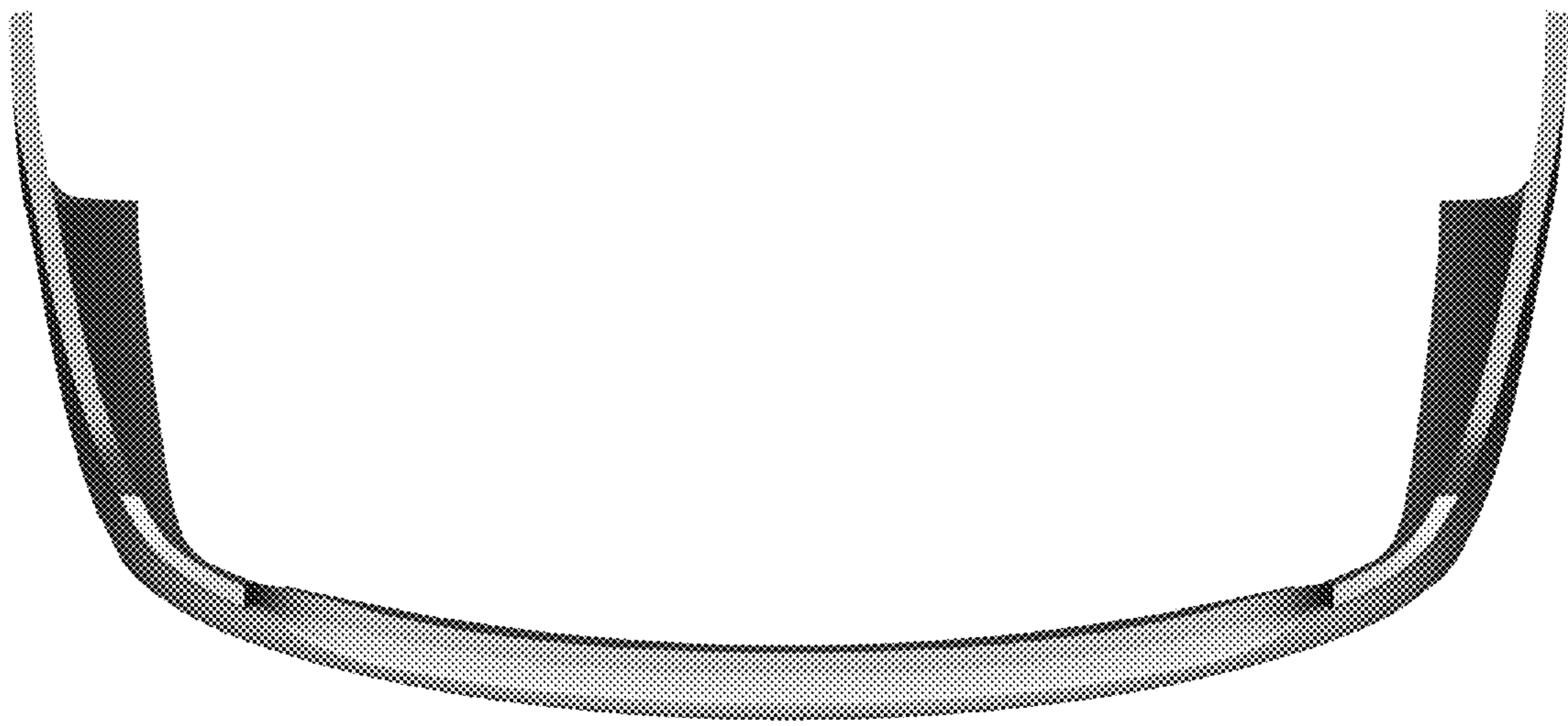


FIG. 2



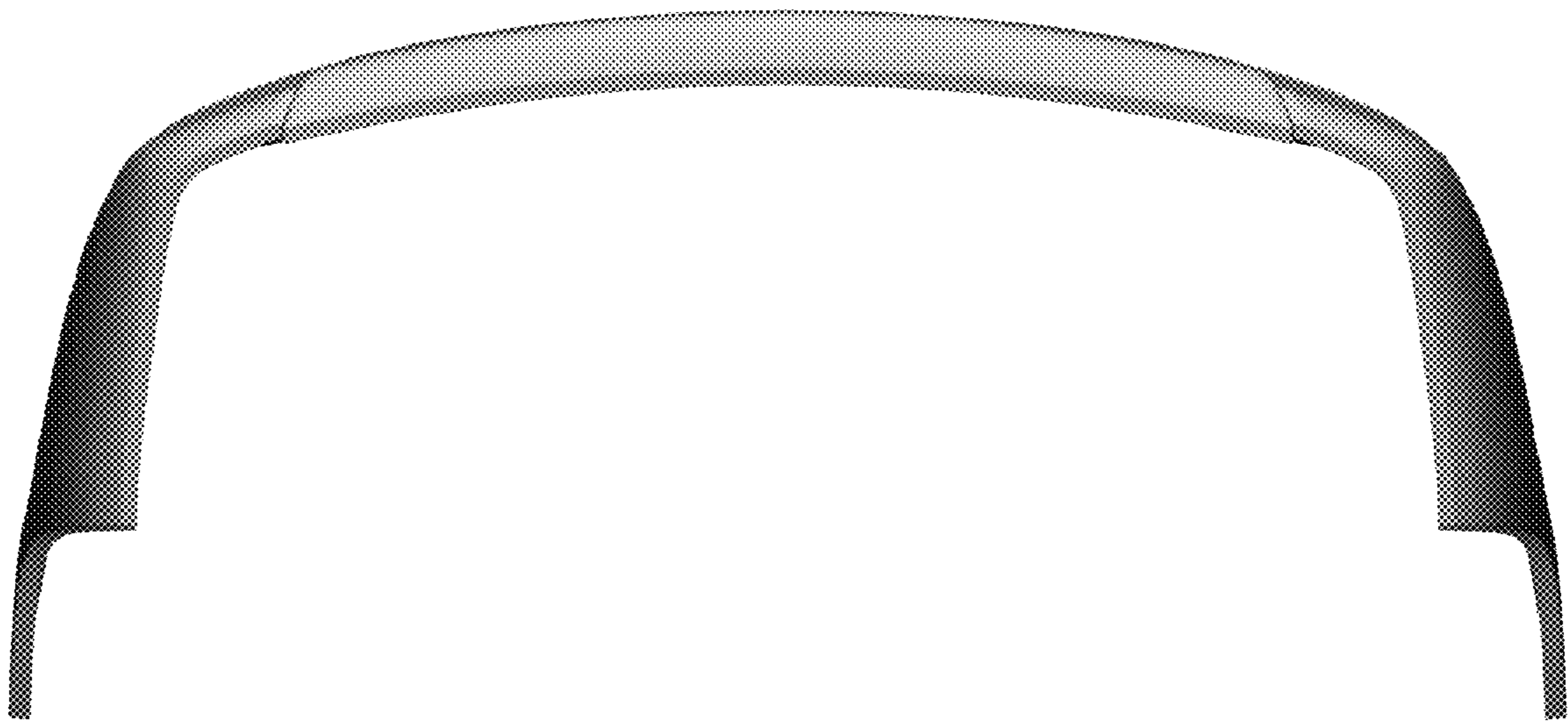


FIG. 3

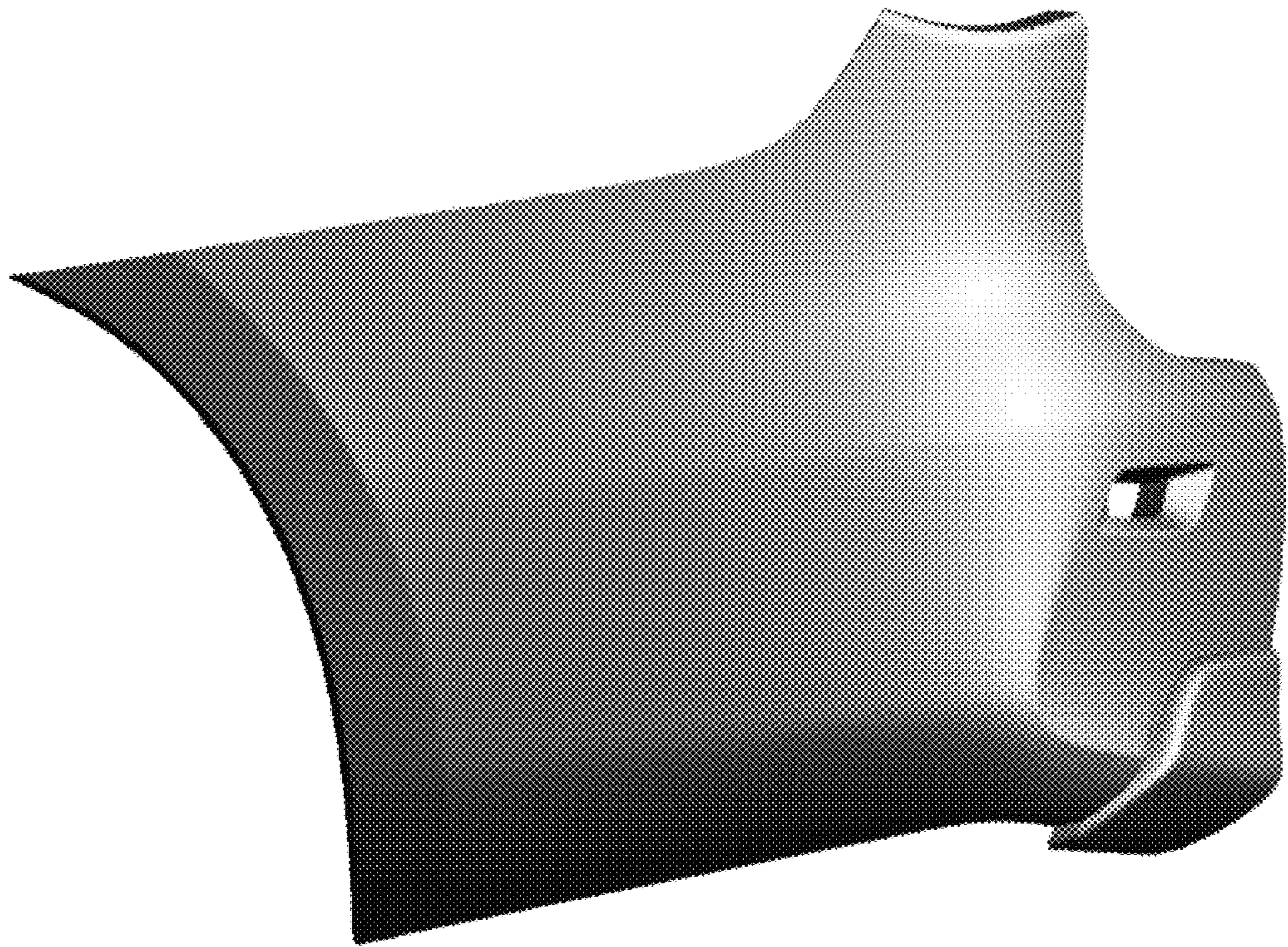


FIG. 4



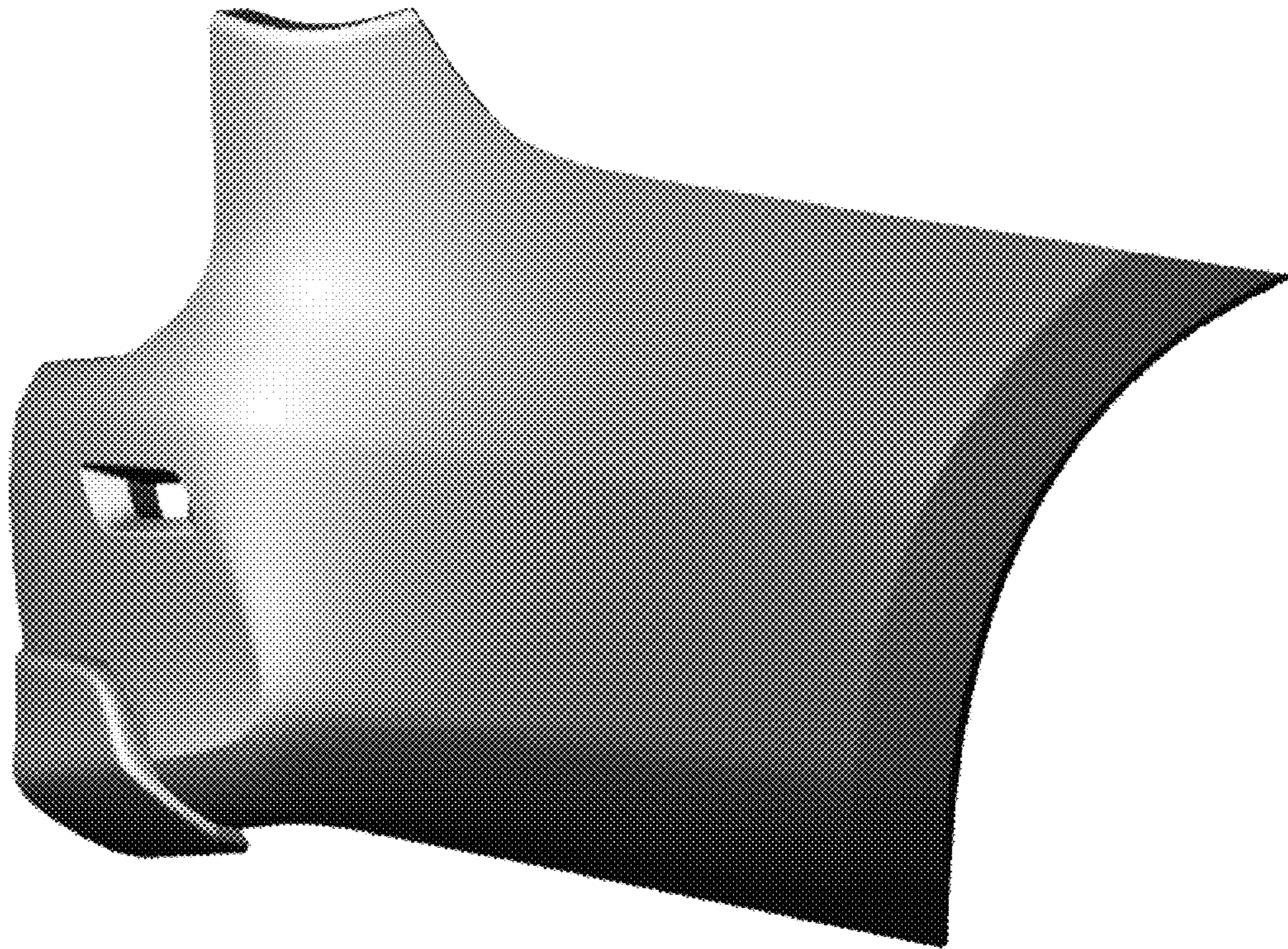


FIG. 5

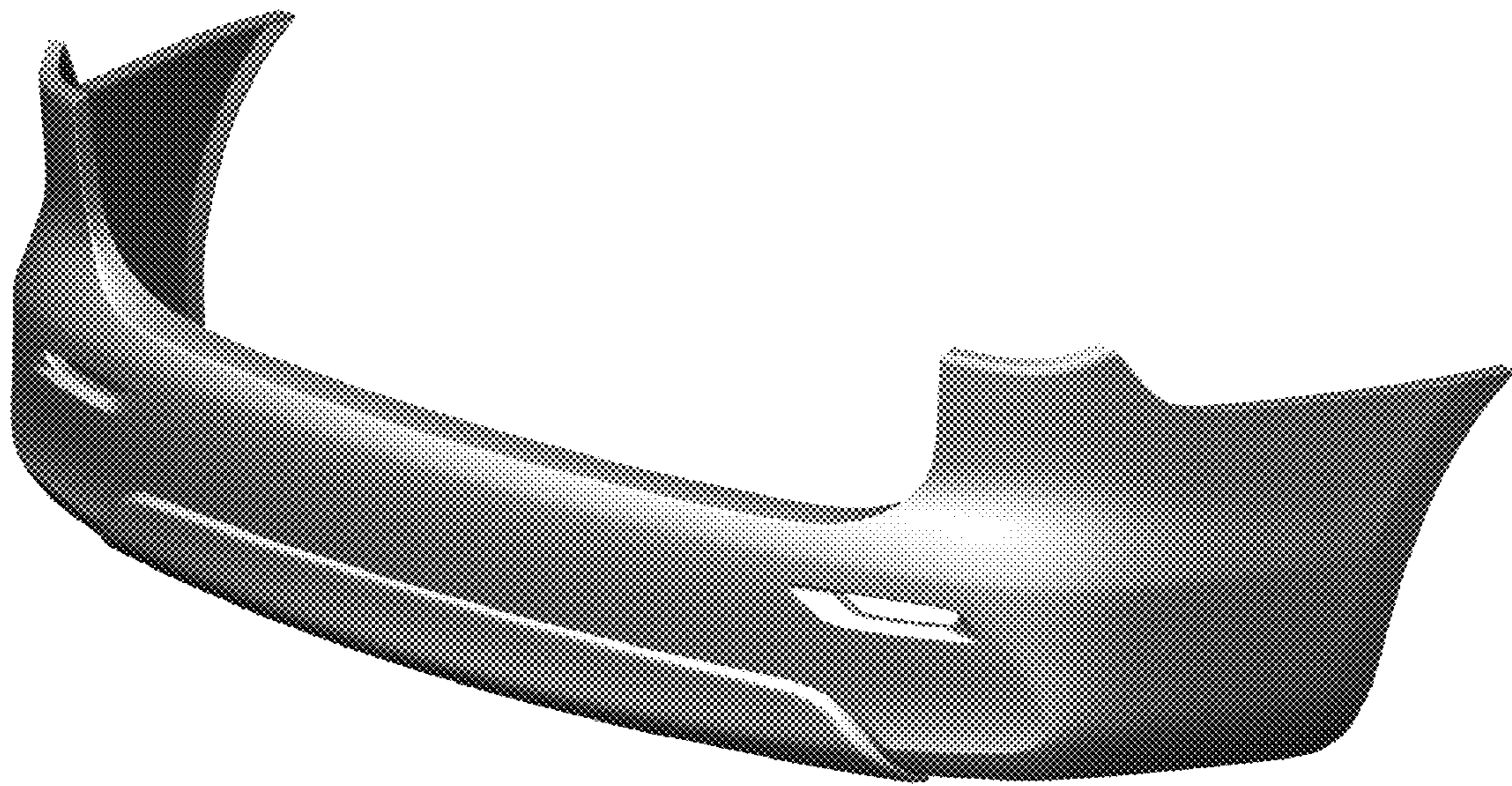


FIG. 6



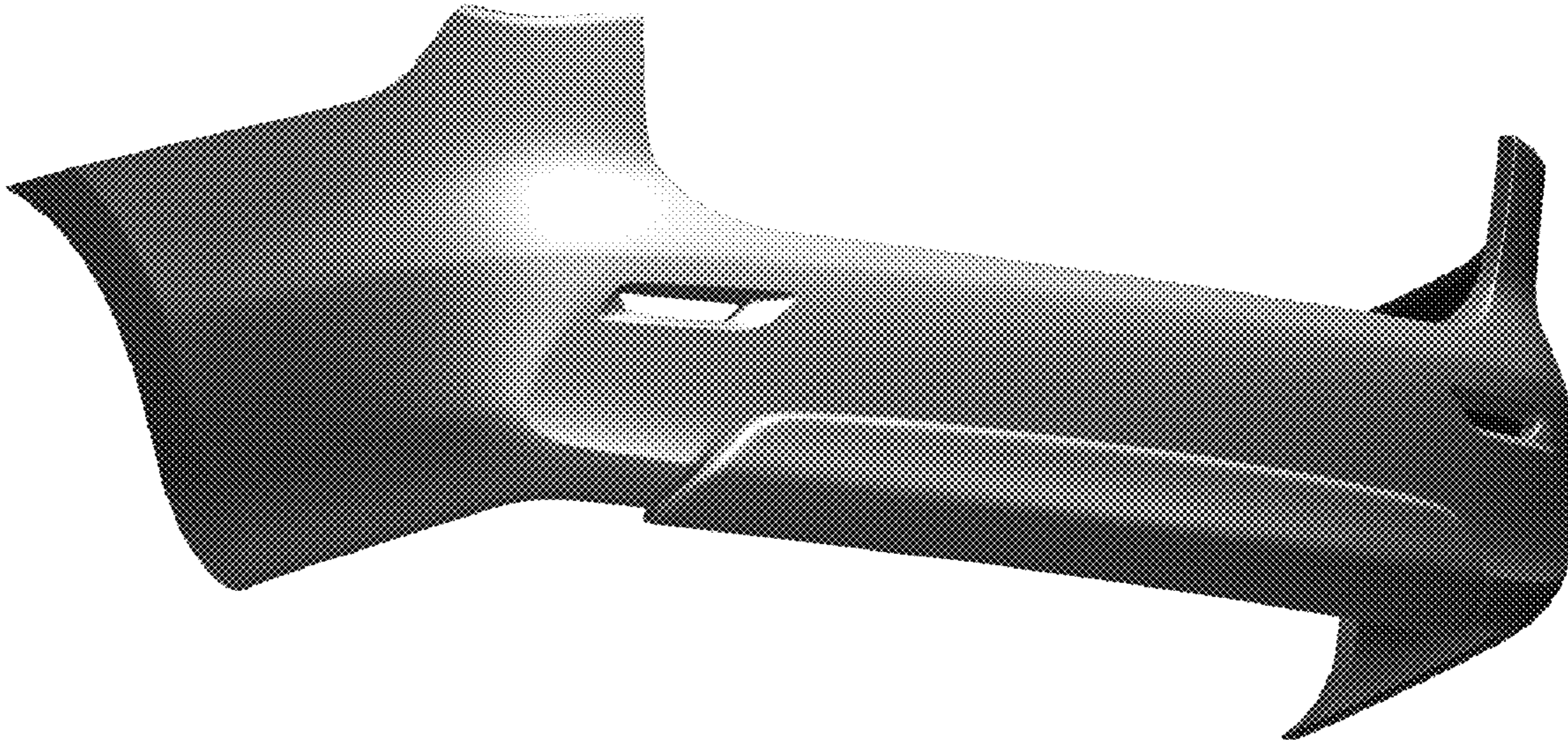


FIG. 7