



US00D675128S

(12) **United States Design Patent**
Suphachadiwong

(10) **Patent No.:** **US D675,128 S**
(45) **Date of Patent:** **** Jan. 29, 2013**

(54) **VASE**
(75) **Inventor:** **Thumrong Suphachadiwong, Bangphra (TH)**
(73) **Assignee:** **Suphachatwong Innovation, Co. Ltd., Chonburi (TH)**
(**) **Term:** **14 Years**
(21) **Appl. No.:** **29/423,441**
(22) **Filed:** **May 31, 2012**

2,050,171 A * 8/1936 Gilmore D11/155
2,830,406 A * 4/1958 McMurry 47/41.11
2,887,170 A * 5/1959 Fenicchia D8/1
D187,277 S * 2/1960 Rumbaugh D11/148
3,328,915 A * 7/1967 Elbert 47/44
3,370,379 A * 2/1968 Gleason 47/67
D243,113 S * 1/1977 Hirsch D11/156
D247,357 S * 2/1978 Gray D11/156
D316,836 S * 5/1991 Kistner D11/156
5,394,647 A * 3/1995 Blackford, Jr. D11/152
D464,908 S * 10/2002 Gady D11/146
D517,411 S * 3/2006 Okimoto D11/152
D606,451 S * 12/2009 Kertz D11/145
D641,655 S * 7/2011 Hawkinson D11/144
2012/0124905 A1 * 5/2012 Harder 47/66.1

(30) **Foreign Application Priority Data**
Dec. 22, 2011 (EM) 001966813-0001
(51) **LOC (9) Cl.** **11-02**
(52) **U.S. Cl.** **D11/143; D11/145; D11/156**
(58) **Field of Classification Search** D6/403-405,
D6/556-558; D8/1; D11/143-156, 164;
D19/77, 80, 81, 84; D25/100; D26/9-11,
D26/16, 19; D34/1, 2, 4-6; D99/5, 19; 47/17,
47/32.4, 32.5, 32.7, 33, 39, 41.01, 41.1, 41.11-41.15,
47/44-47, 65, 65.5, 65.9, 66.1, 66.2, 66.6,
47/66.7, 67-71
See application file for complete search history.

* cited by examiner

Primary Examiner — Garth Rademaker
(74) *Attorney, Agent, or Firm* — QuickPatents, Inc.; Kevin Prince

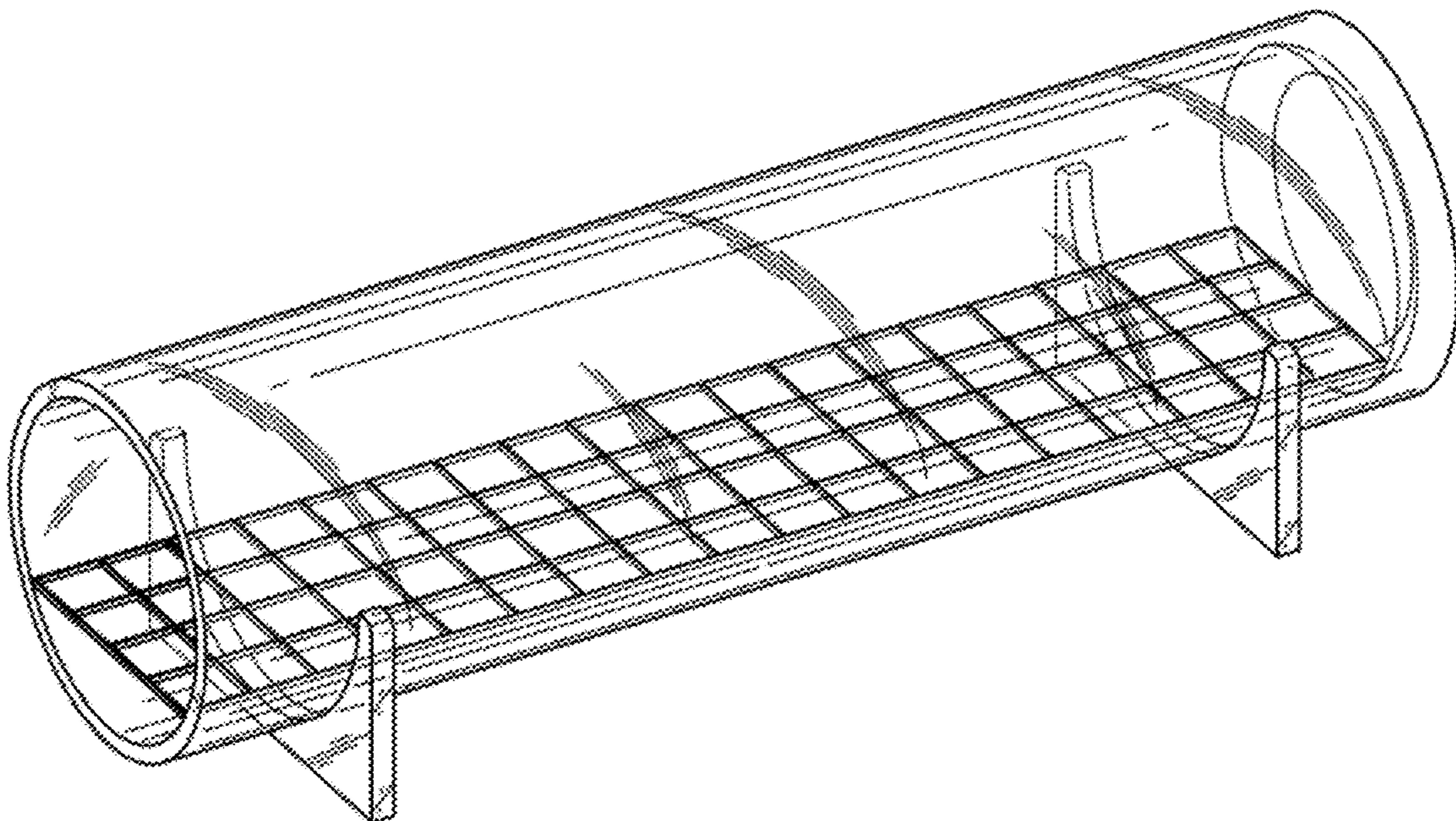
(56) **References Cited**
U.S. PATENT DOCUMENTS
487,836 A * 12/1892 Hurst D11/156
873,279 A * 12/1907 Webber-Illig 47/41.01
1,405,568 A * 2/1922 Conklin 47/68
D62,471 S * 6/1923 Brossman D11/148
D88,002 S * 10/1932 Stuck D11/147

(57) **CLAIM**
I claim the ornamental design for a vase, as shown and described.

DESCRIPTION

FIG. 1 is a perspective view of a vase, showing my new design;
FIG. 2 is a front elevational view thereof, the rear elevational view being a mirror image thereof;
FIG. 3 is a top plan view thereof;
FIG. 4 is a bottom plan view thereof;
FIG. 5 is a left-side elevational view thereof; and,
FIG. 6 is a right-side elevational view thereof.

1 Claim, 3 Drawing Sheets



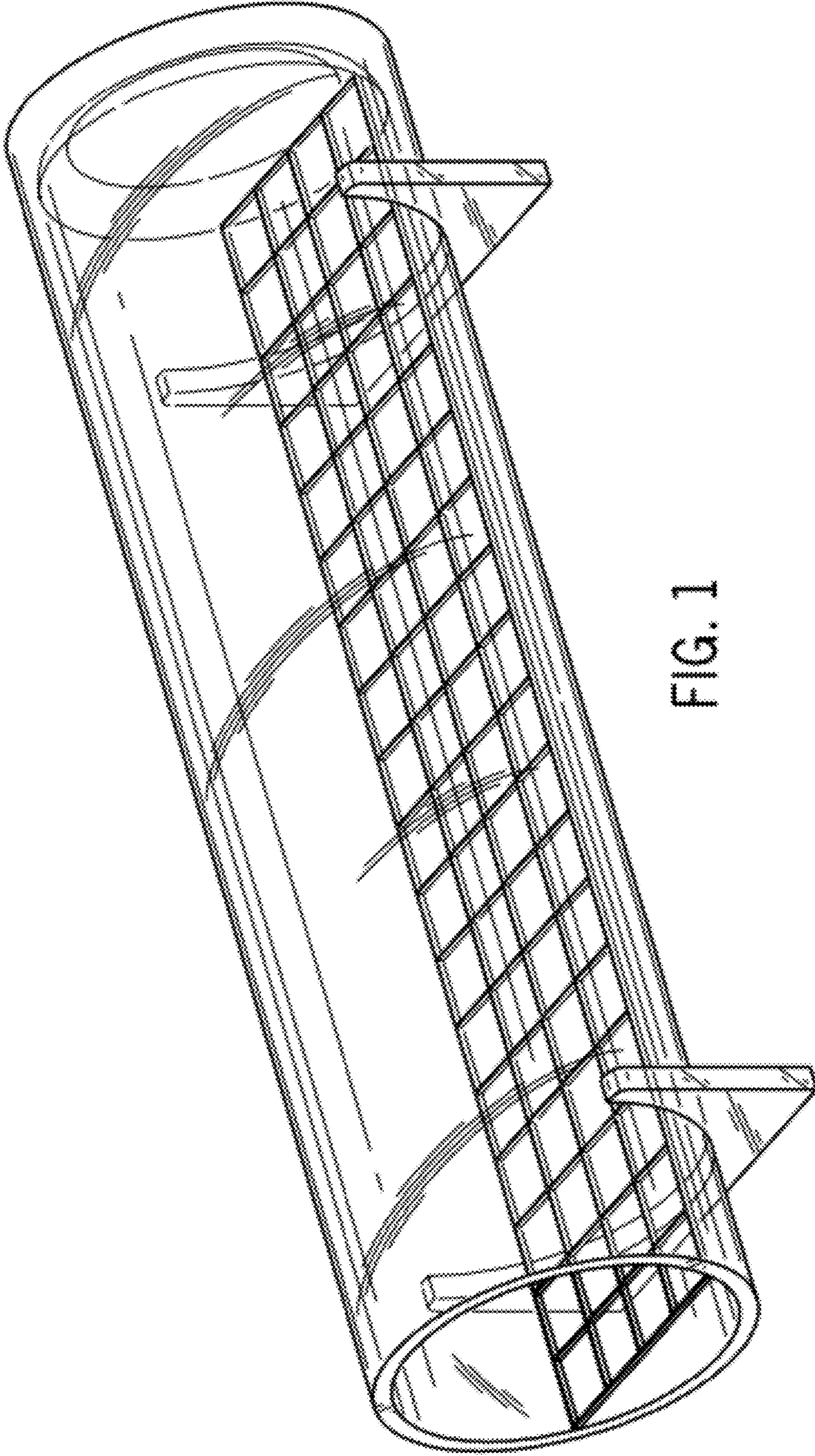


FIG. 1

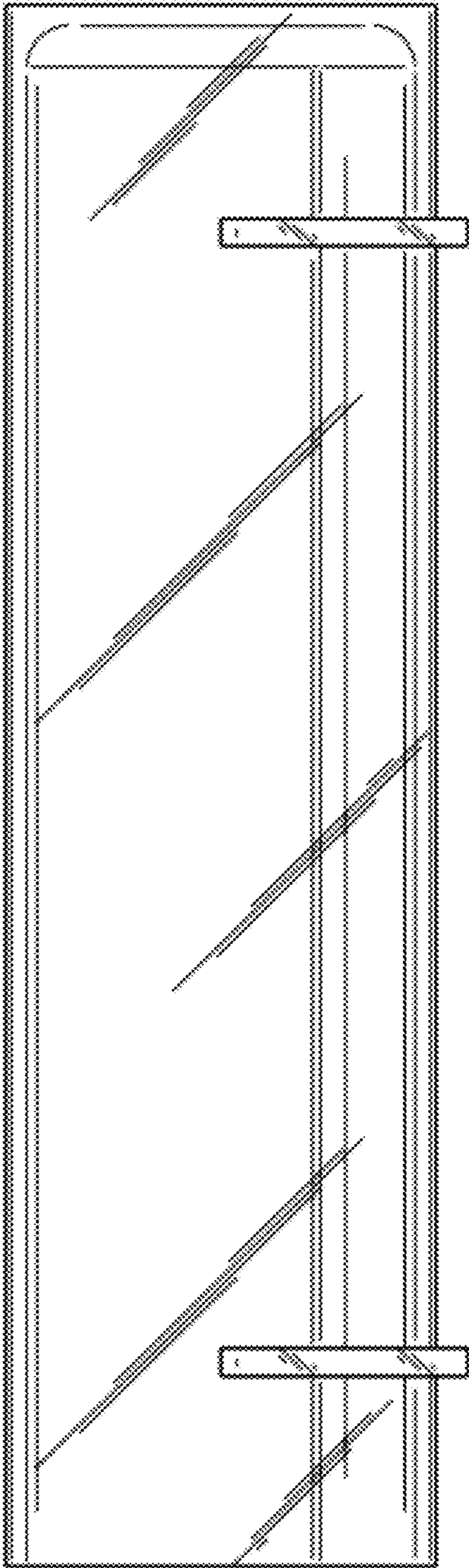


FIG. 2

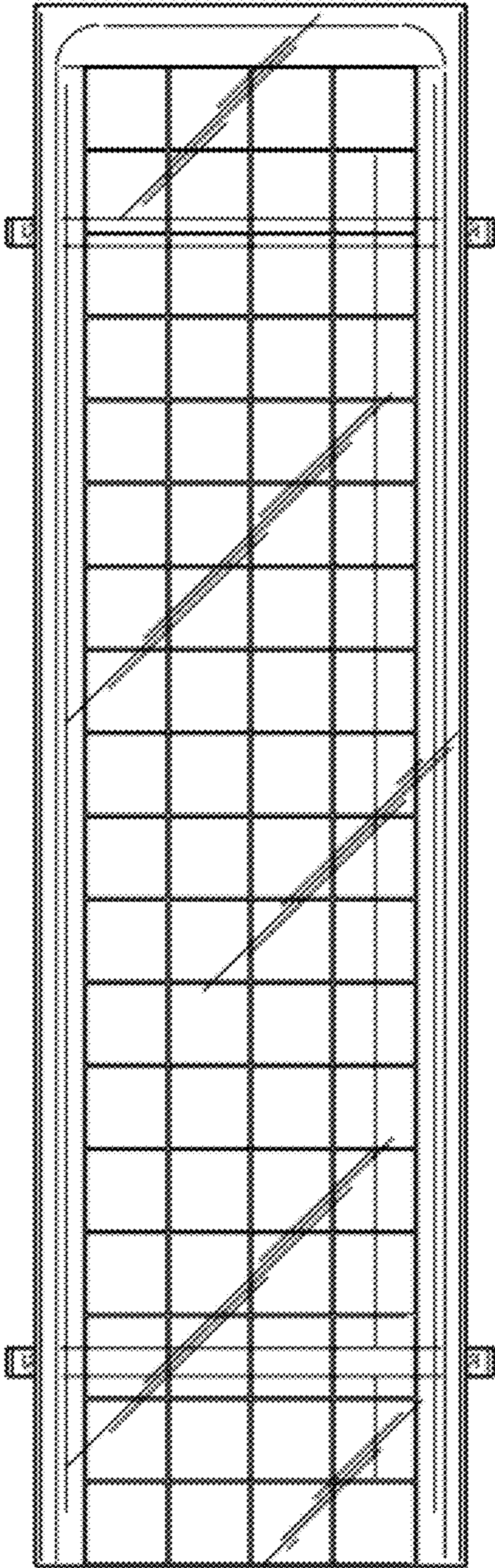


FIG. 3

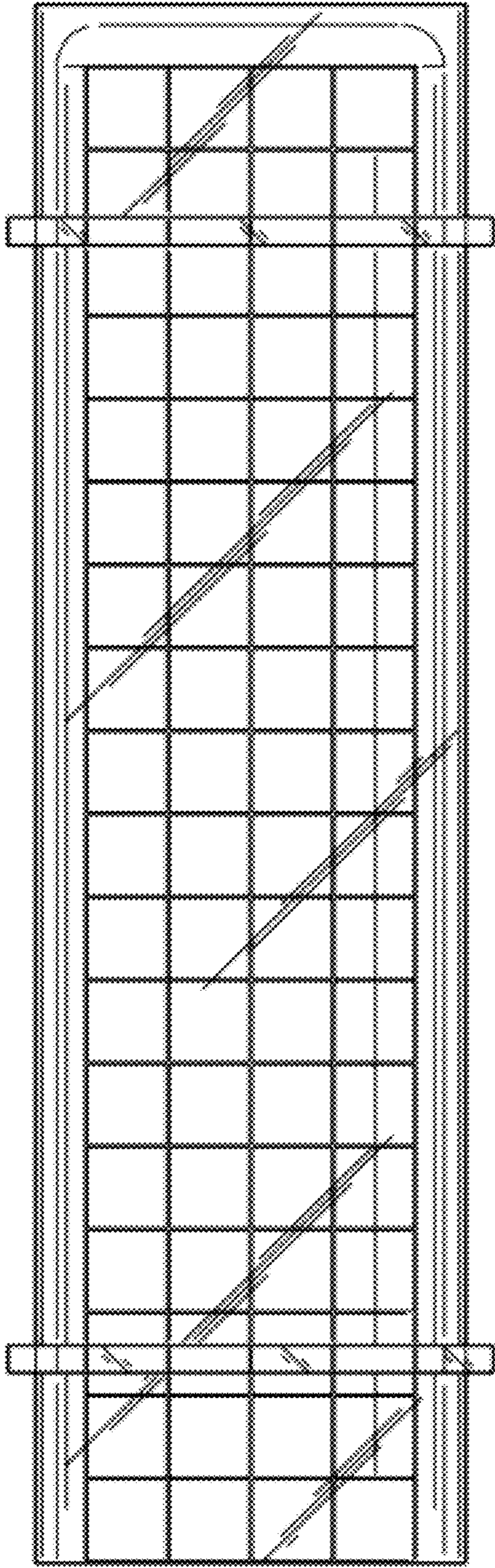


FIG. 4

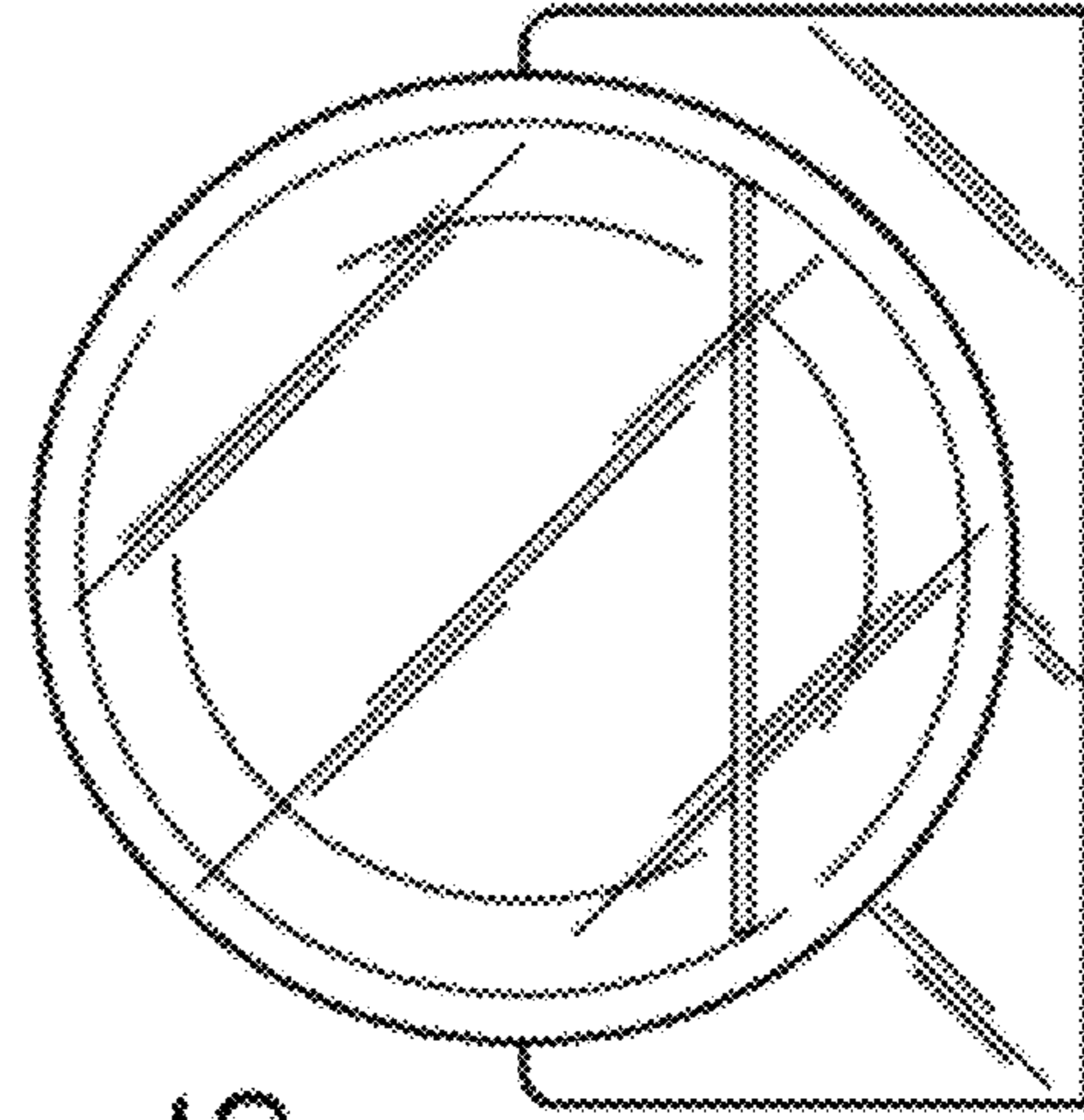


FIG. 6

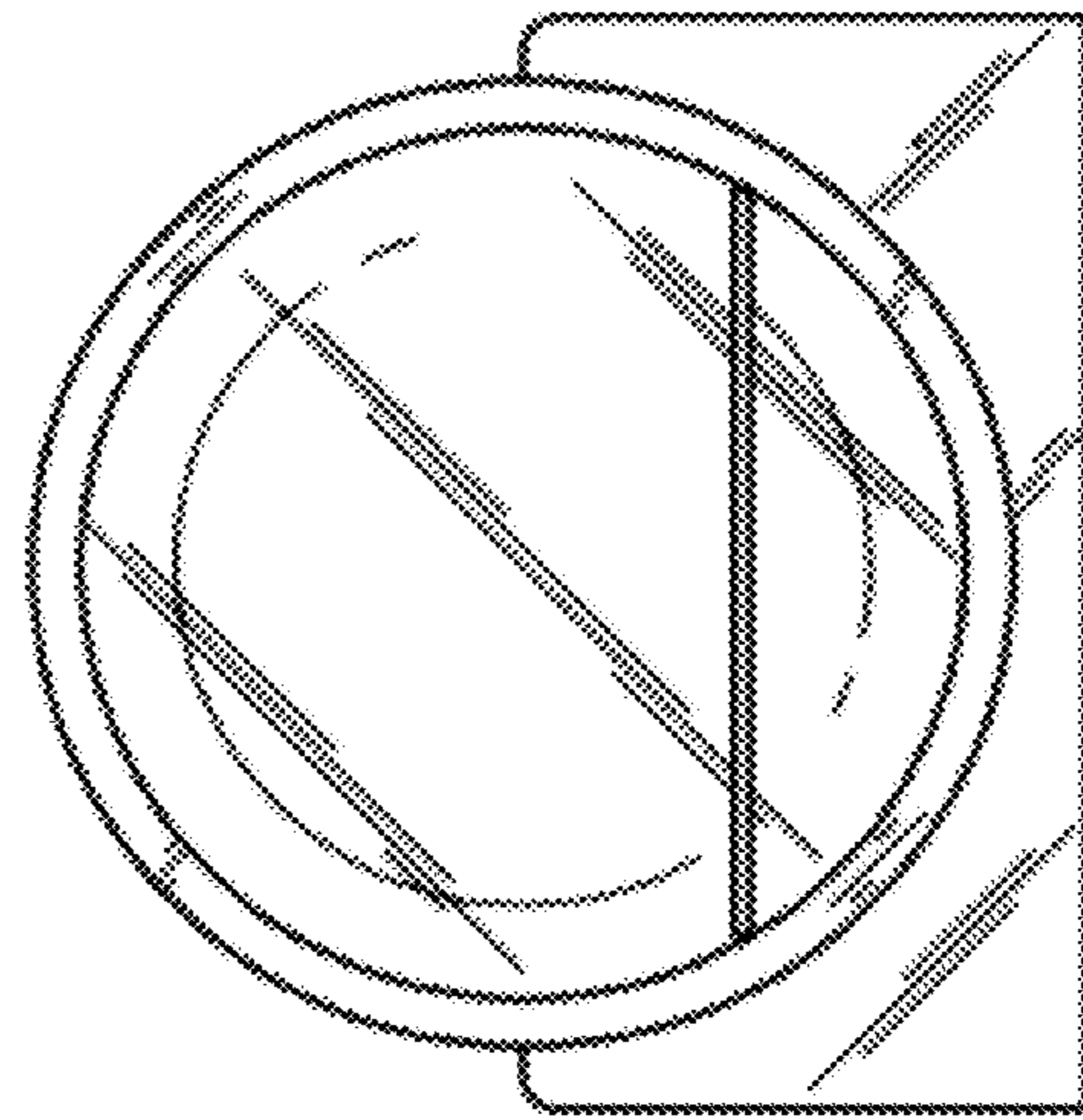


FIG. 5