



US00D675127S

(12) **United States Design Patent**  
**DiMaggio**

(10) **Patent No.:** **US D675,127 S**  
(45) **Date of Patent:** **\*\* Jan. 29, 2013**

(54) **PLANTER**

**DESCRIPTION**

(75) Inventor: **Angela M. DiMaggio**, Gilbert, AZ (US)

(73) Assignee: **Mobilegro LLC**, Gilbert, AZ (US)

(\*\*) Term: **14 Years**

(21) Appl. No.: **29/411,562**

(22) Filed: **Jan. 23, 2012**

(51) **LOC (9) Cl.** ..... **11-02**

(52) **U.S. Cl.** ..... **D11/143; D11/155**

(58) **Field of Classification Search** ..... D6/403-405,  
D6/556-558; D8/1; D11/143-156, 164;  
D19/77, 80, 81, 84; D25/100; D26/9-11,  
D26/16, 19; D34/1, 2, 4-6; D99/5, 19; 47/17,  
47/32.4, 32.5, 32.7, 33, 39, 41.01, 41.1, 41.11-41.15,  
47/44-47, 65, 65.5, 65.9, 66.1, 66.2, 66.6,  
47/66.7, 67-71

See application file for complete search history.

(56) **References Cited**

**U.S. PATENT DOCUMENTS**

4,899,487	A *	2/1990	Brownlee	47/41.01
D363,688	S *	10/1995	Turrentine	D11/143
D407,994	S *	4/1999	Adinolfi et al.	D11/143
D462,033	S *	8/2002	Reichert	D11/155
D614,992	S *	5/2010	DiPaolo et al.	D11/156
7,827,733	B2	11/2010	DiMaggio	
7,886,482	B2	2/2011	DiMaggio	
D634,134	S *	3/2011	Gingrich	D6/405
2003/0005625	A1 *	1/2003	Reichert	47/65.5

\* cited by examiner

*Primary Examiner* — Garth Rademaker

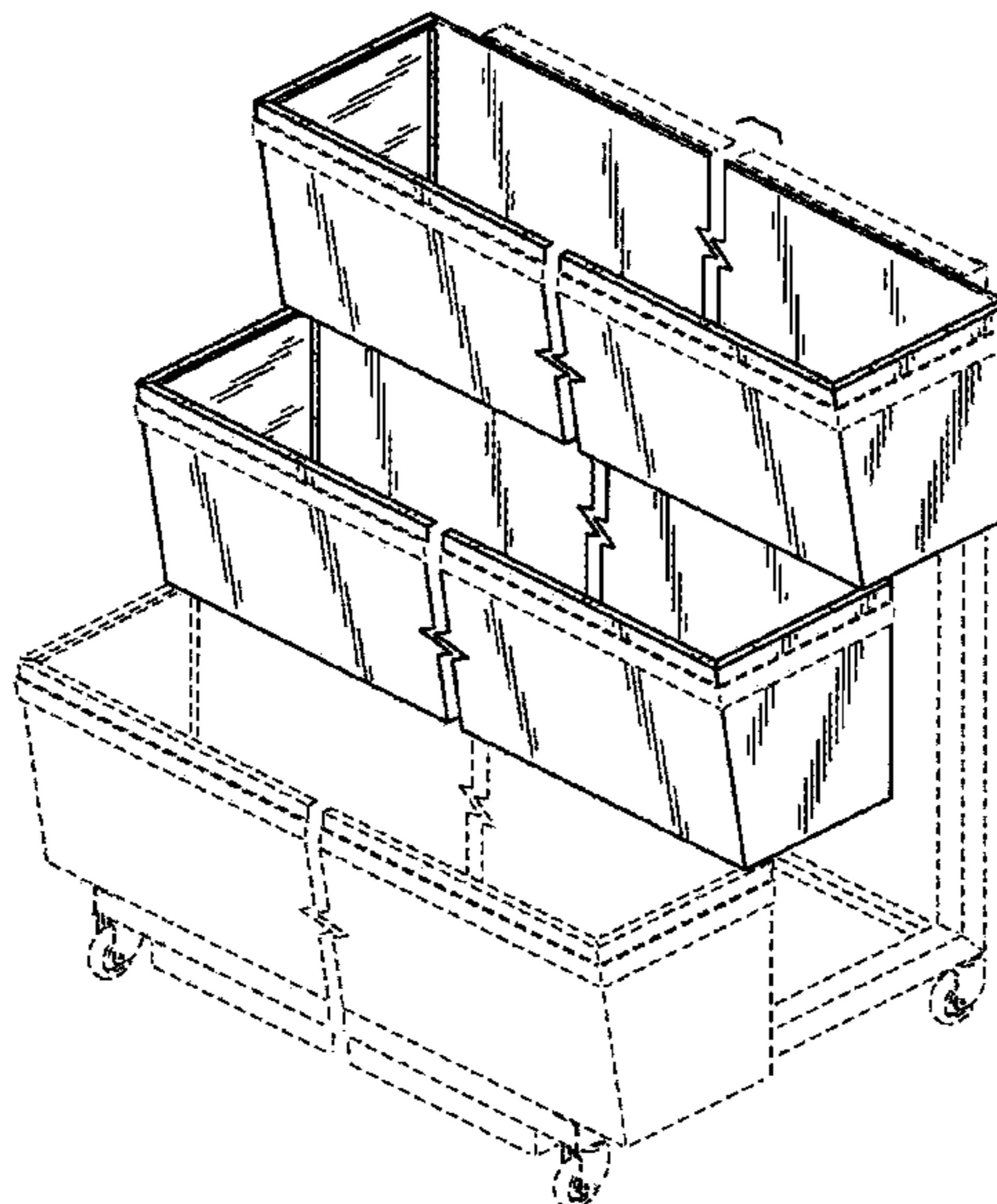
(74) *Attorney, Agent, or Firm* — Quarles & Brady LLP

(57) **CLAIM**

The ornamental design for a planter, as shown and described.

FIG. 1 is a front, right, top perspective view of a planter showing my new design in a four-tier environment;  
 FIG. 2 is a right side elevational view thereof, the left side elevational view thereof being a mirror image of the right side shown;  
 FIG. 3 is a top plan view thereof;  
 FIG. 4 is a bottom plan view thereof;  
 FIG. 5 is a front elevational view thereof;  
 FIG. 6 is a rear elevational view thereof;  
 FIG. 7 is a right side elevational view thereof, shown in a second four-tier environment;  
 FIG. 8 is a right side elevational view thereof, shown in a third four-tier environment;  
 FIG. 9 is a right side elevational view thereof, shown in a fourth four-tier environment;  
 FIG. 10 is a right side elevational view thereof, shown in a fifth four-tier environment;  
 FIG. 11 is a front, right, top perspective view of a the planter of FIG. 1 shown in a three-tier environment;  
 FIG. 12 is a right side elevational view thereof, the left side elevational view thereof being a mirror image of the right side shown;  
 FIG. 13 is a top plan view thereof;  
 FIG. 14 is a bottom plan view thereof;  
 FIG. 15 is a front elevational view thereof;  
 FIG. 16 is a rear elevational view thereof;  
 FIG. 17 is a right side elevational view thereof, shown in a second three-tier environment;  
 FIG. 18 is a right side elevational view thereof, shown in a third three-tier environment;  
 FIG. 19 is a right side elevational view thereof, shown in a fourth three-tier environment; and,  
 FIG. 20 is a right side elevational view thereof, shown in a fifth three-tier environment.  
 The broken lines shown in the figures form no part of the claimed design.

**1 Claim, 20 Drawing Sheets**



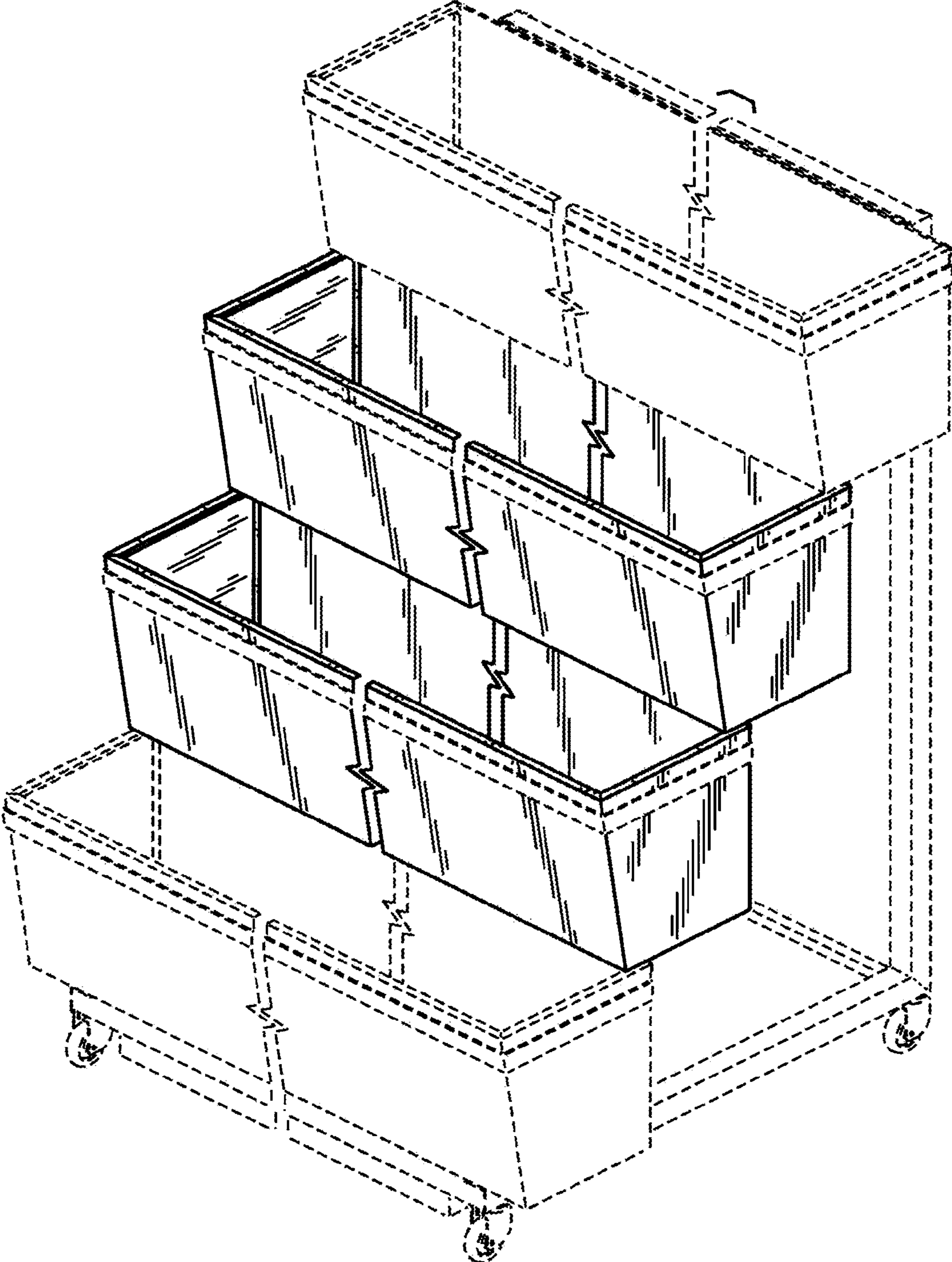


FIG. 1

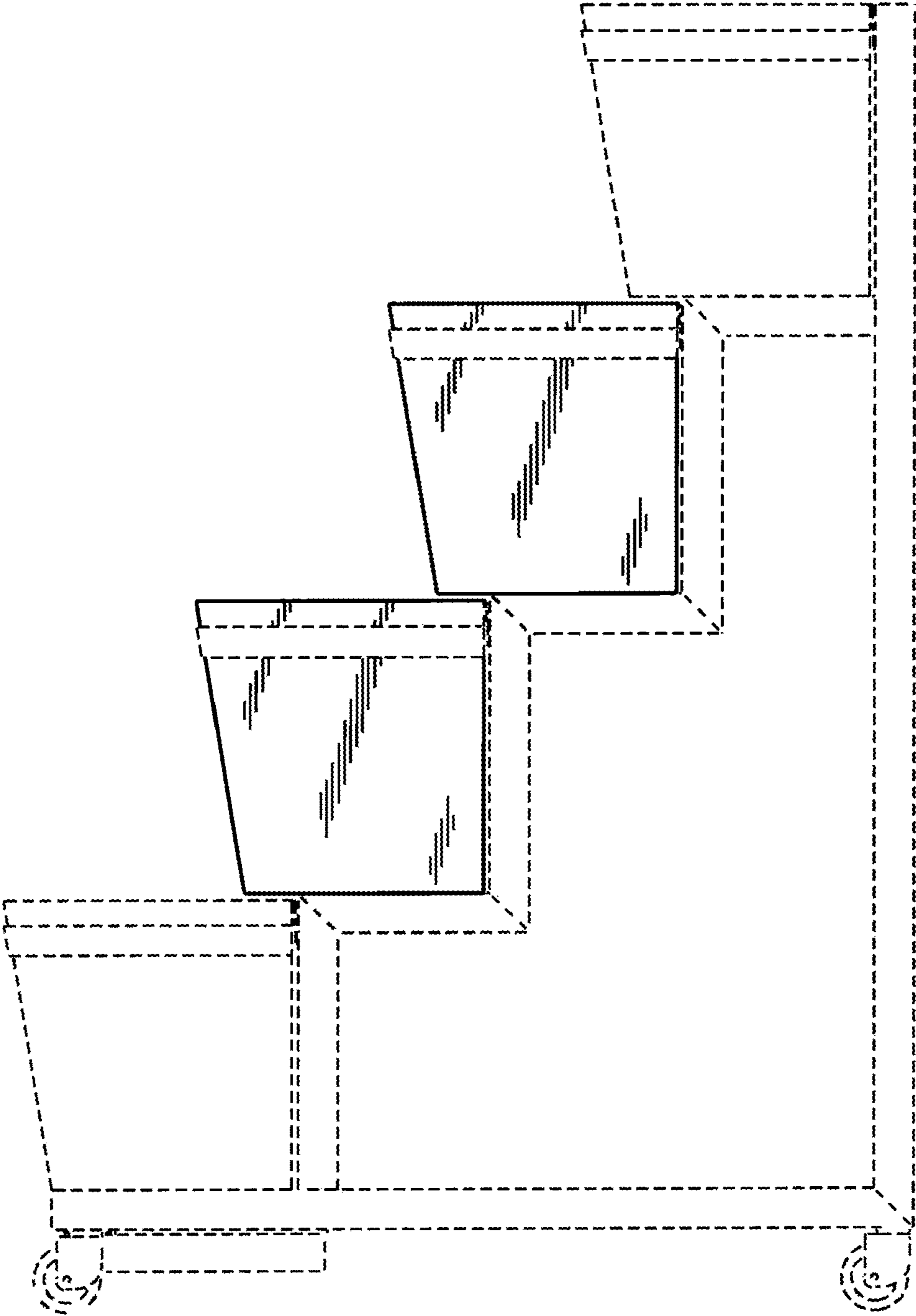


FIG. 2



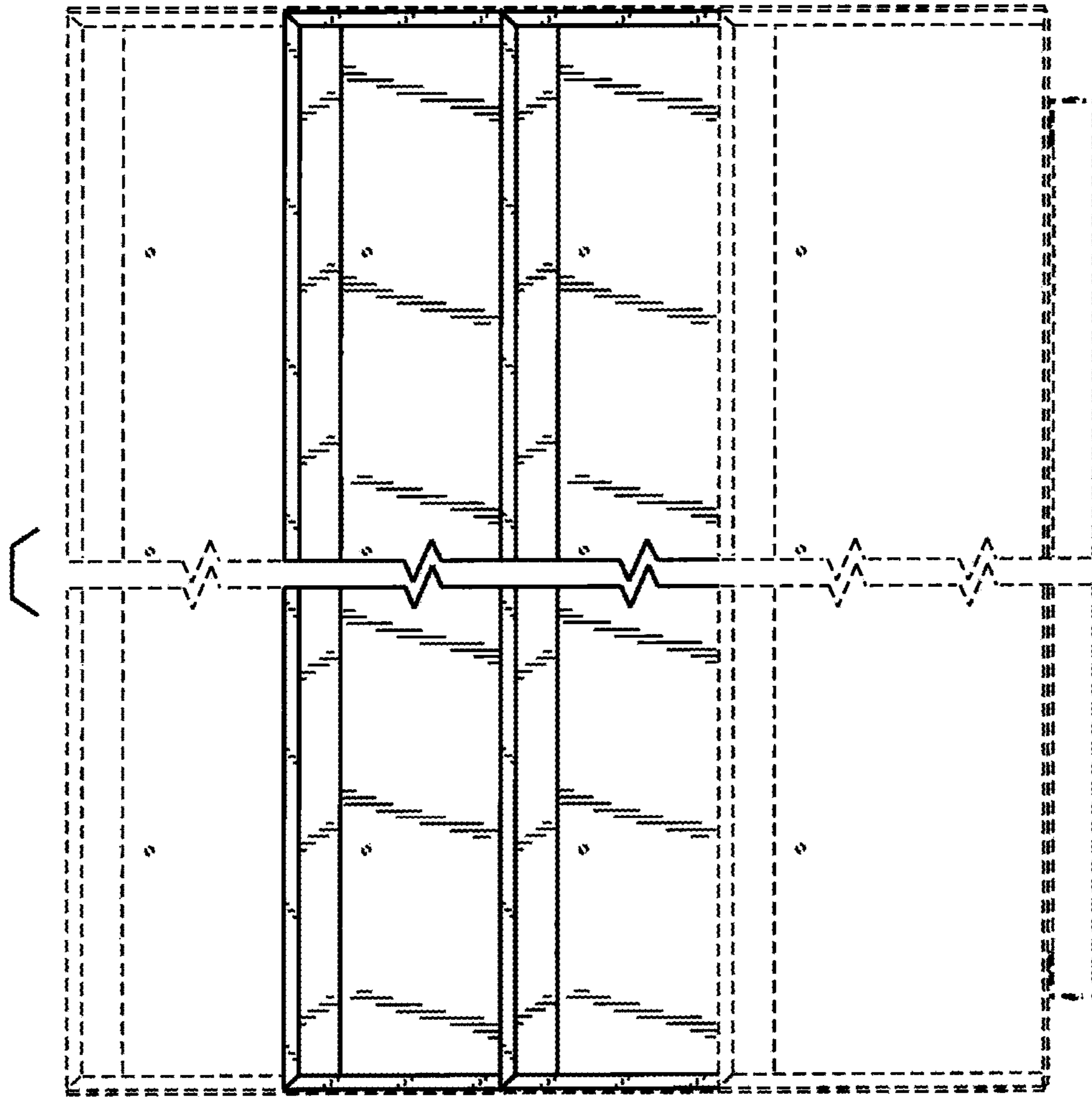


FIG. 3

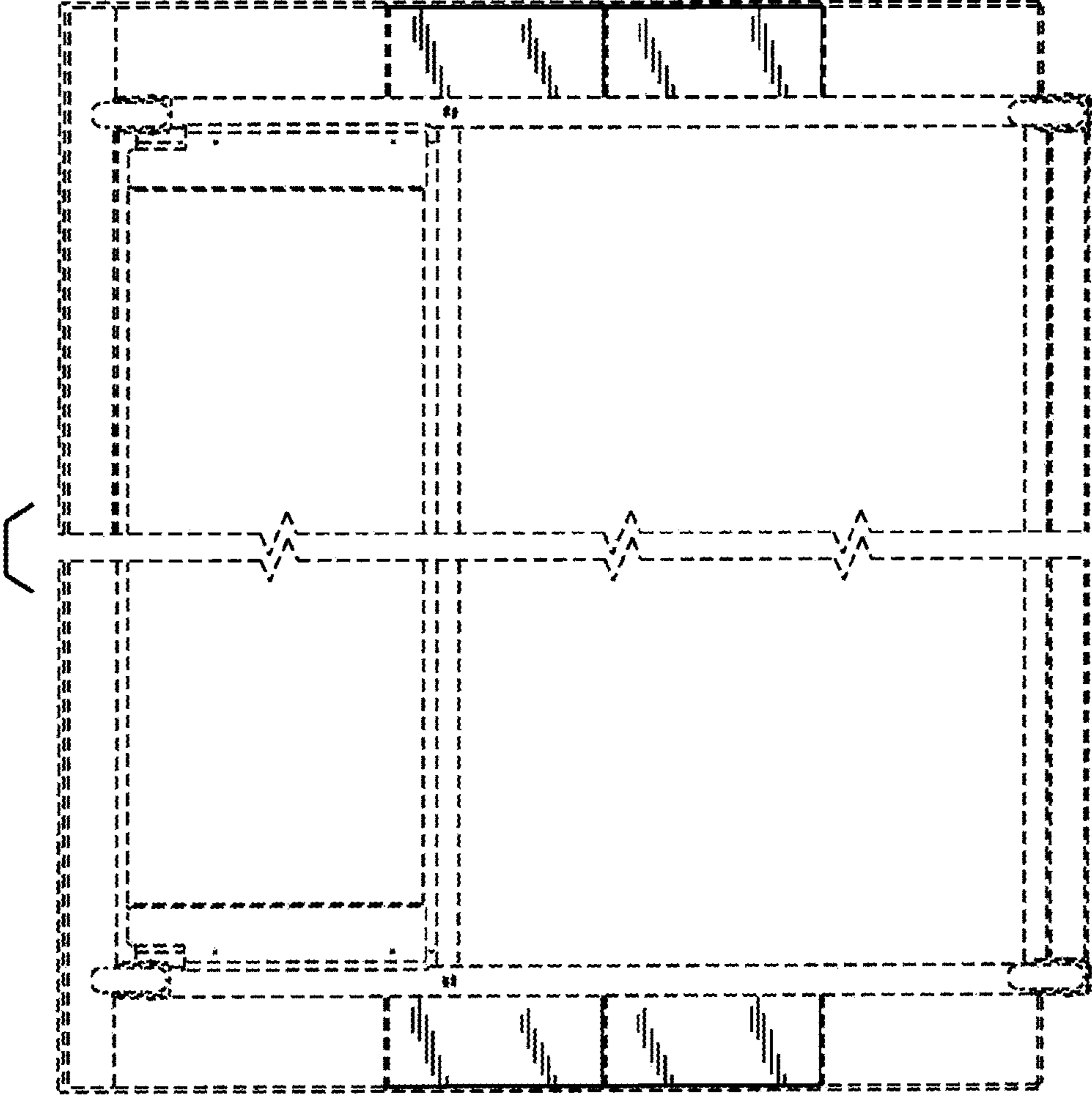


FIG. 4

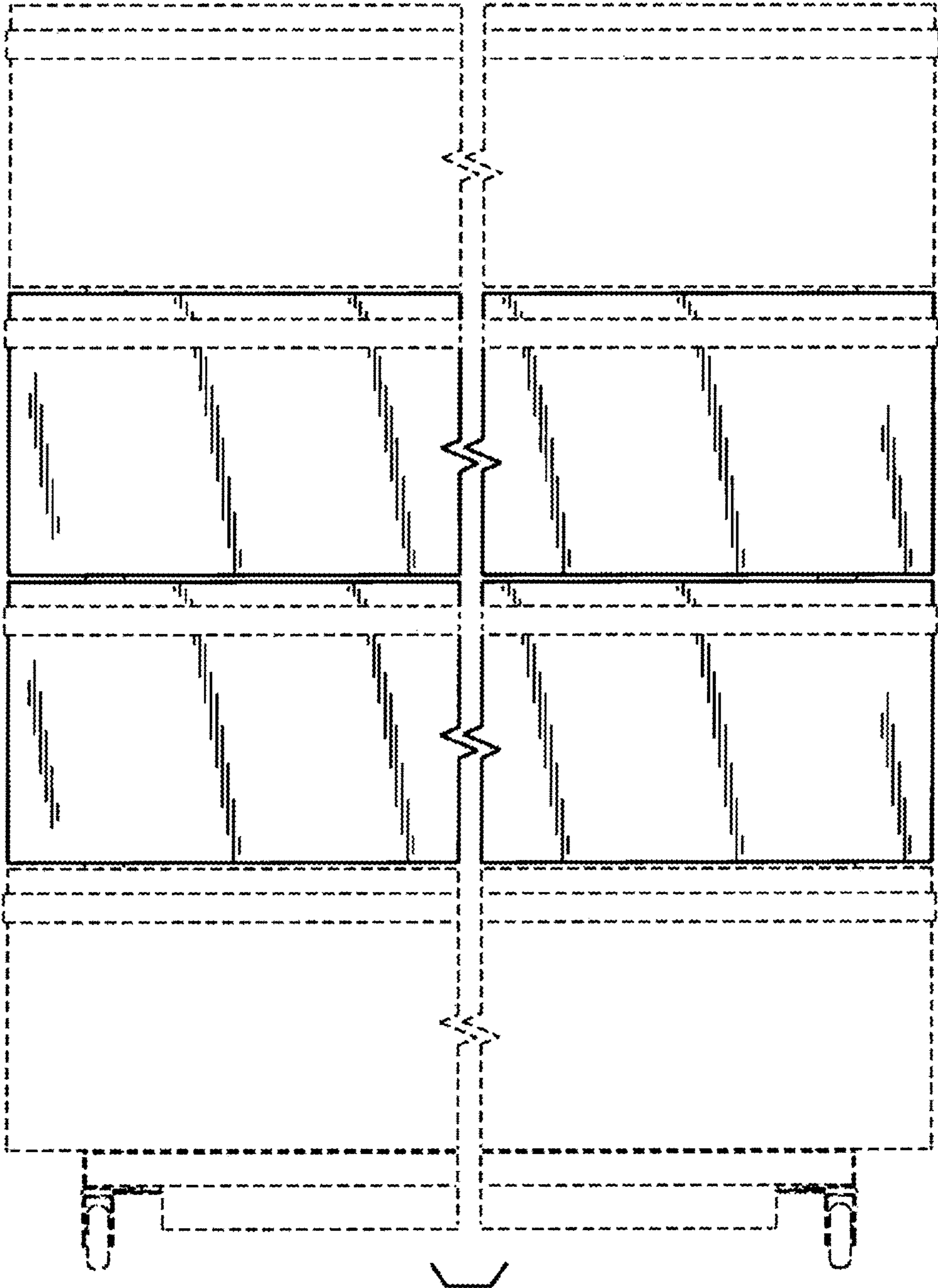


FIG. 5

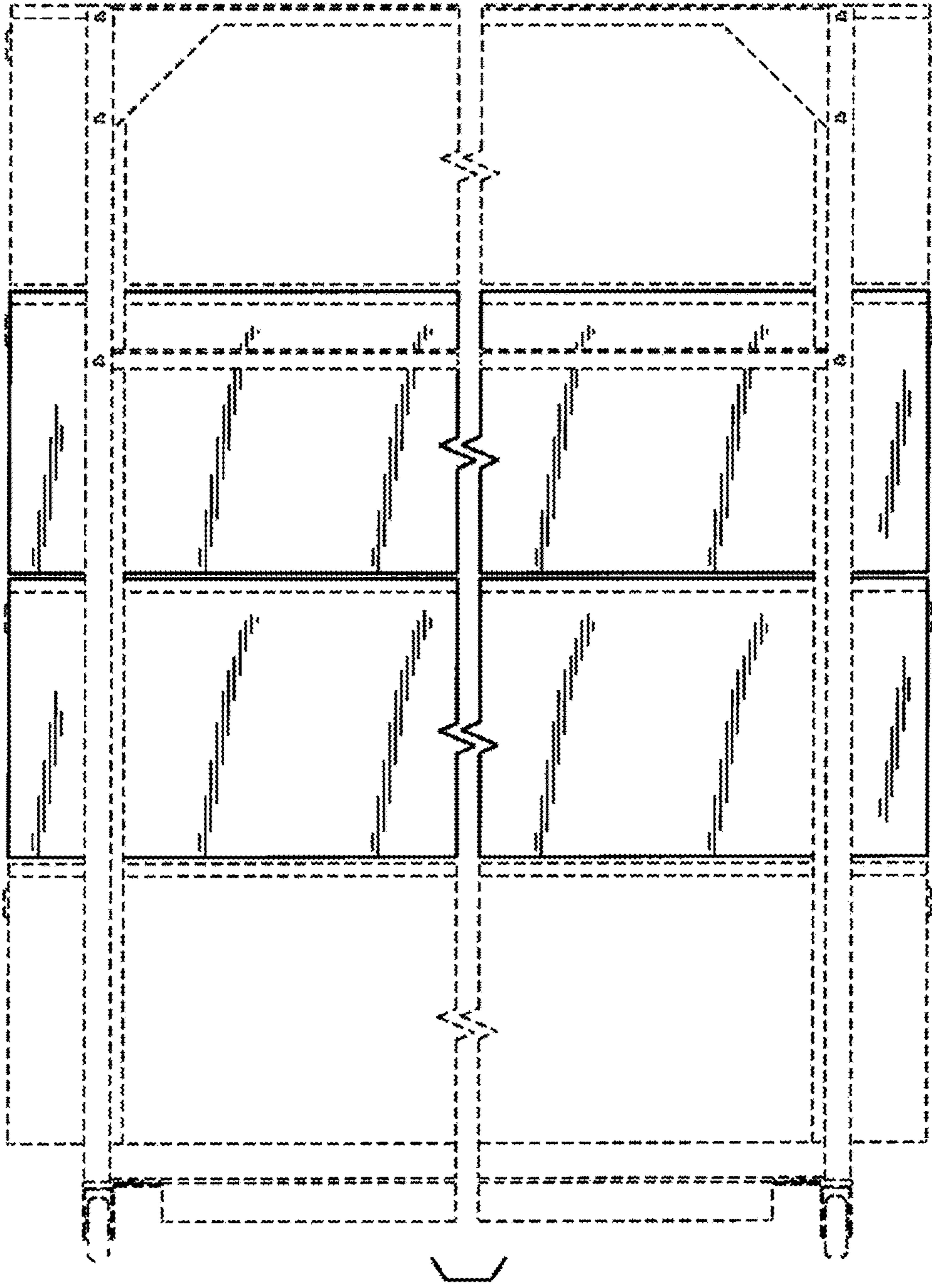


FIG. 6

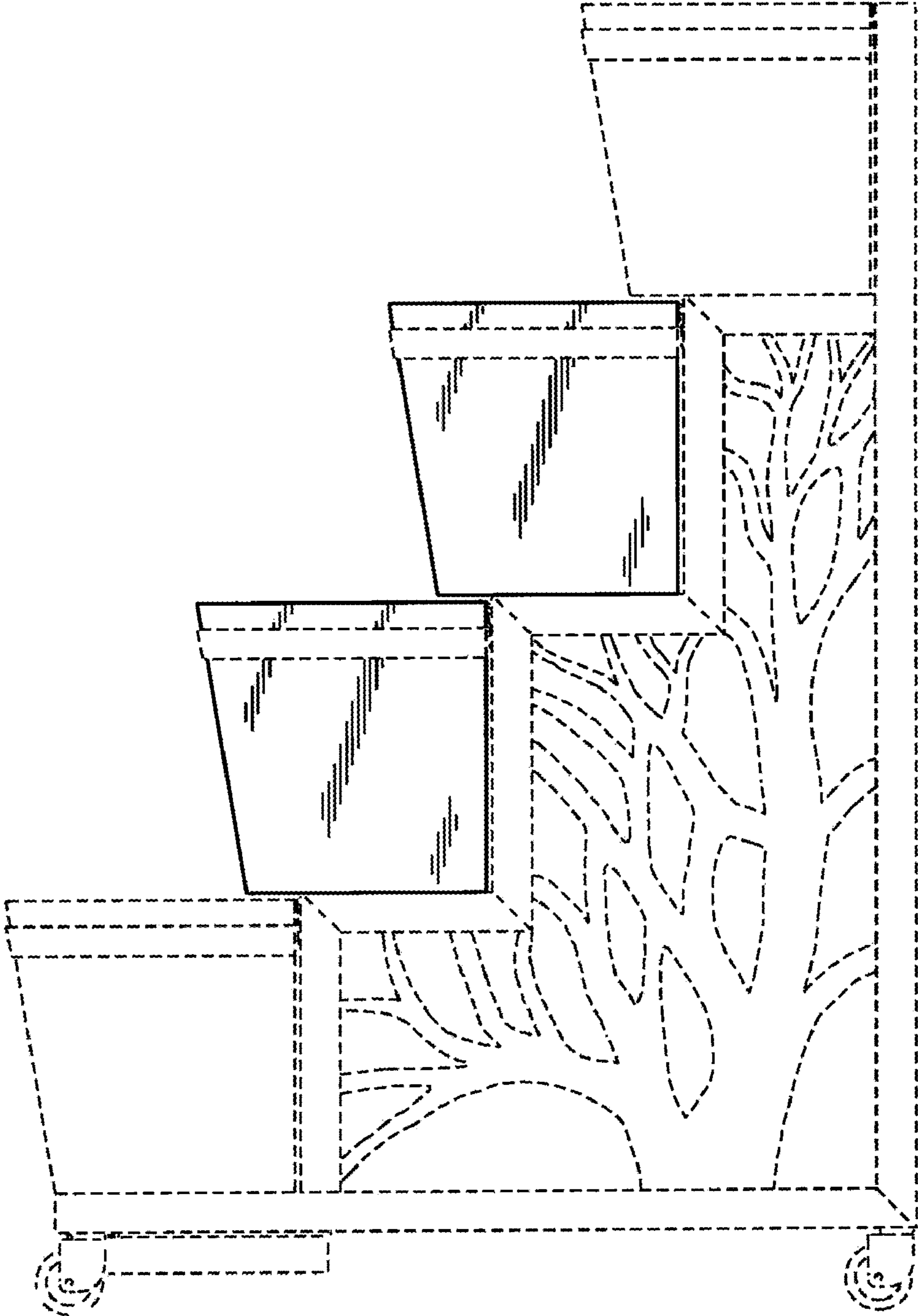


FIG. 7



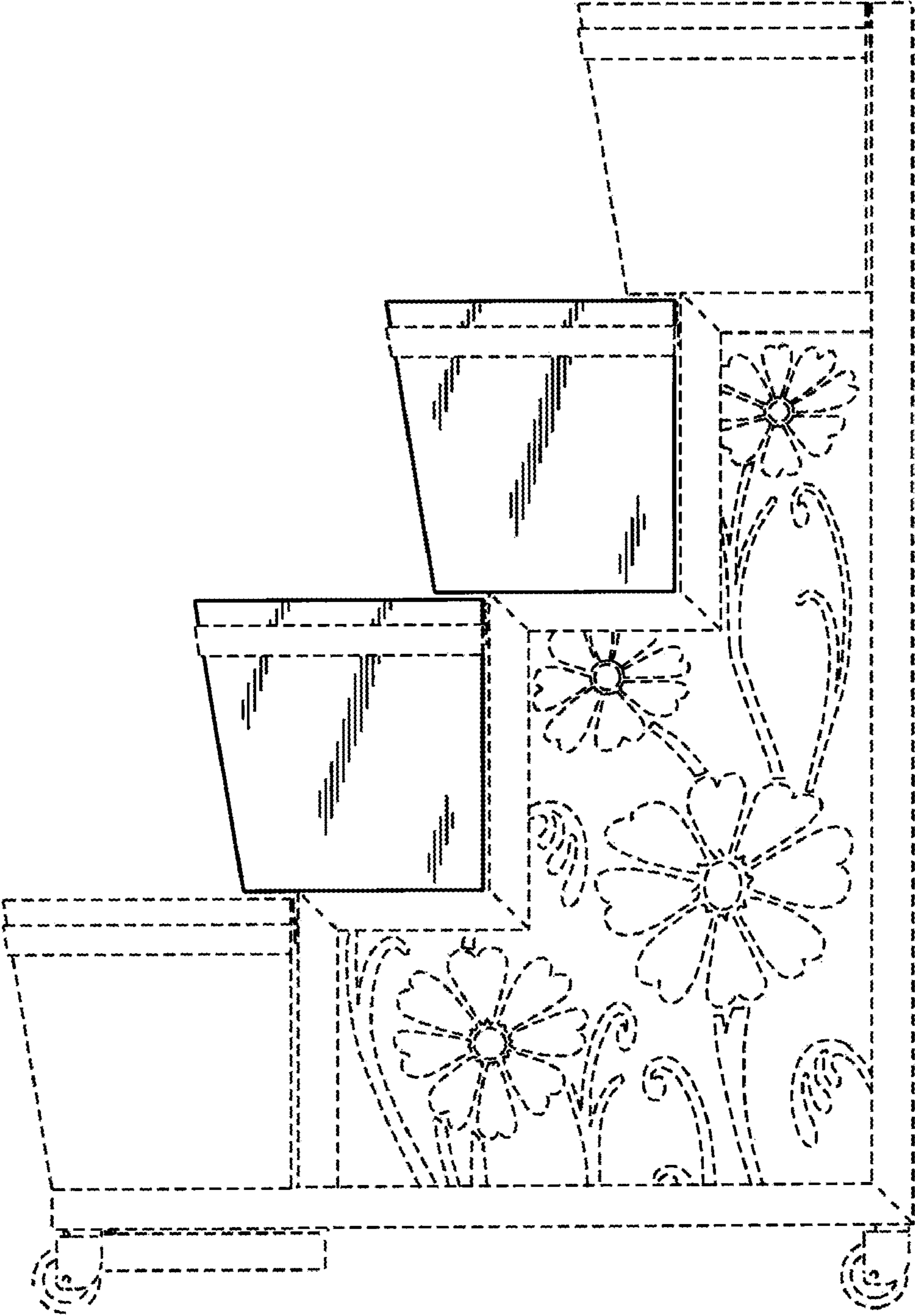


FIG. 8

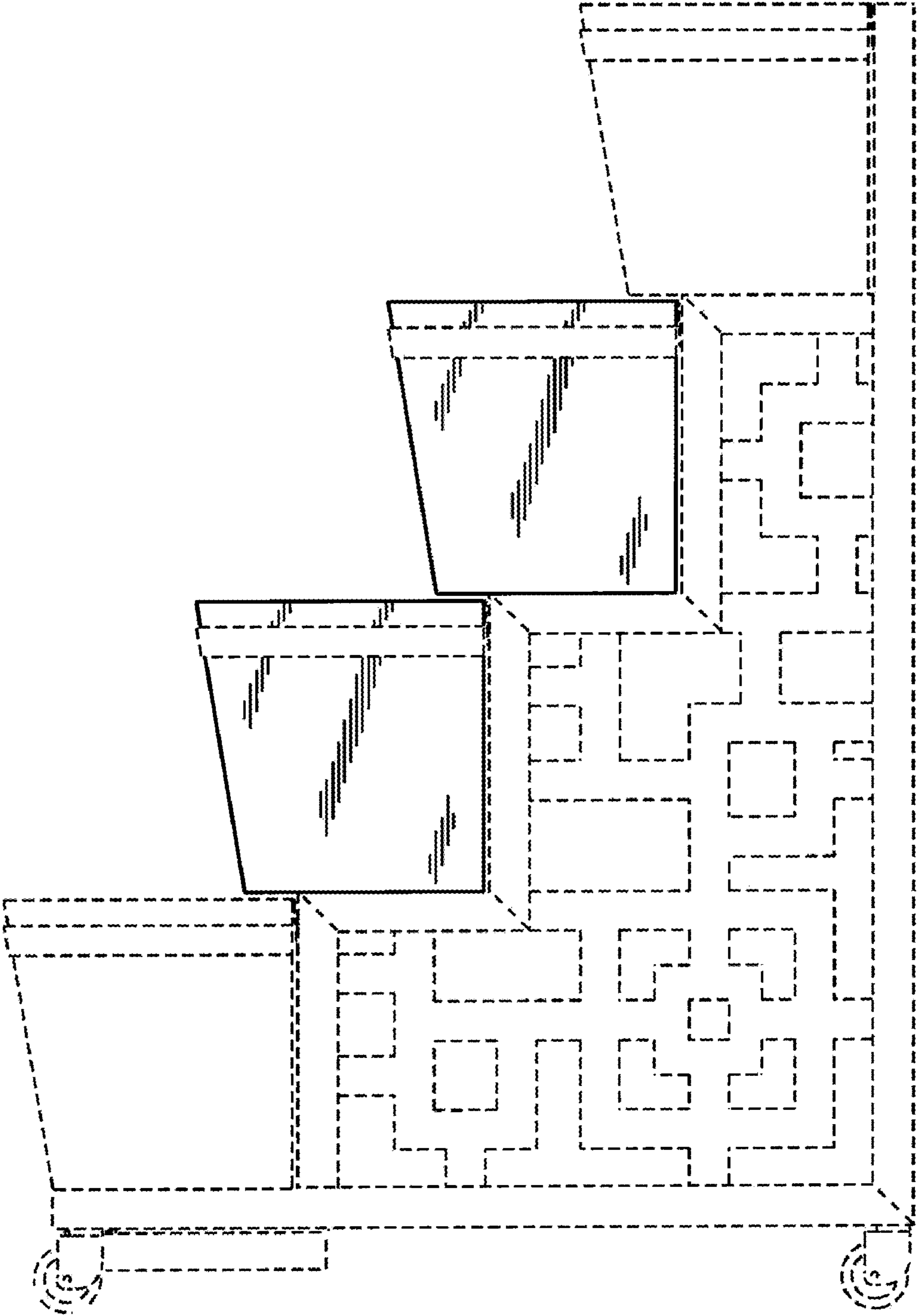


FIG. 9

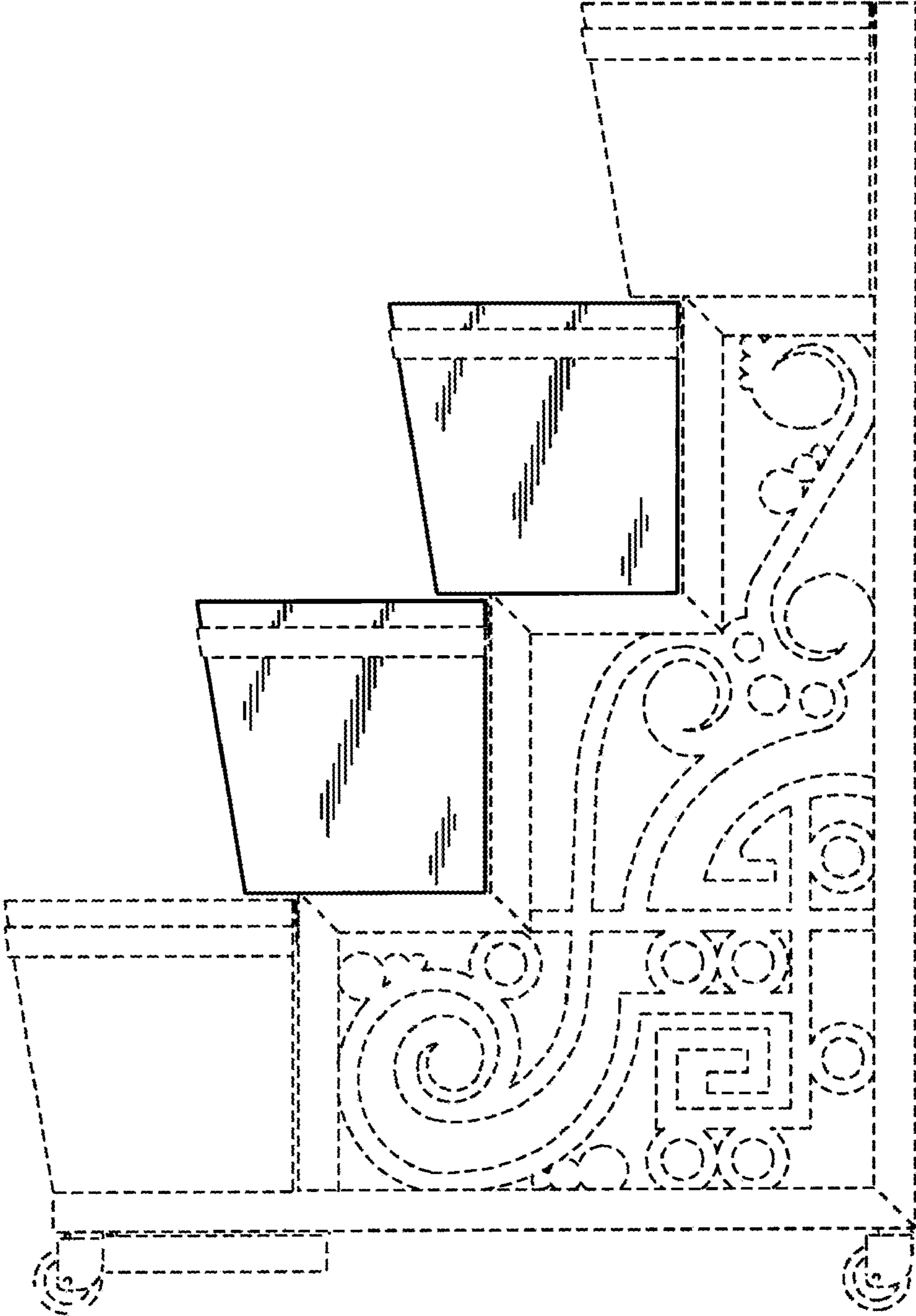


FIG. 10

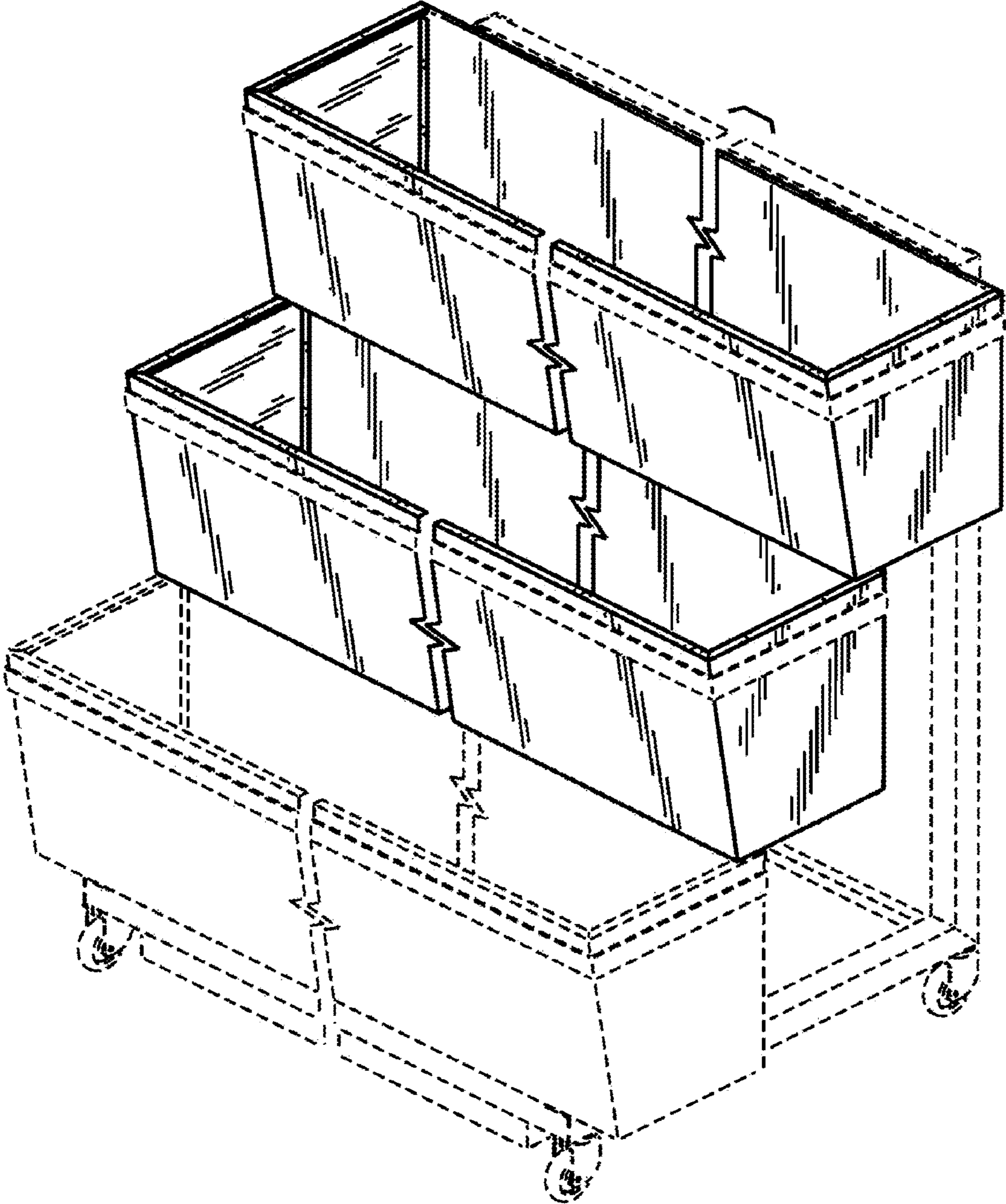


FIG. 11



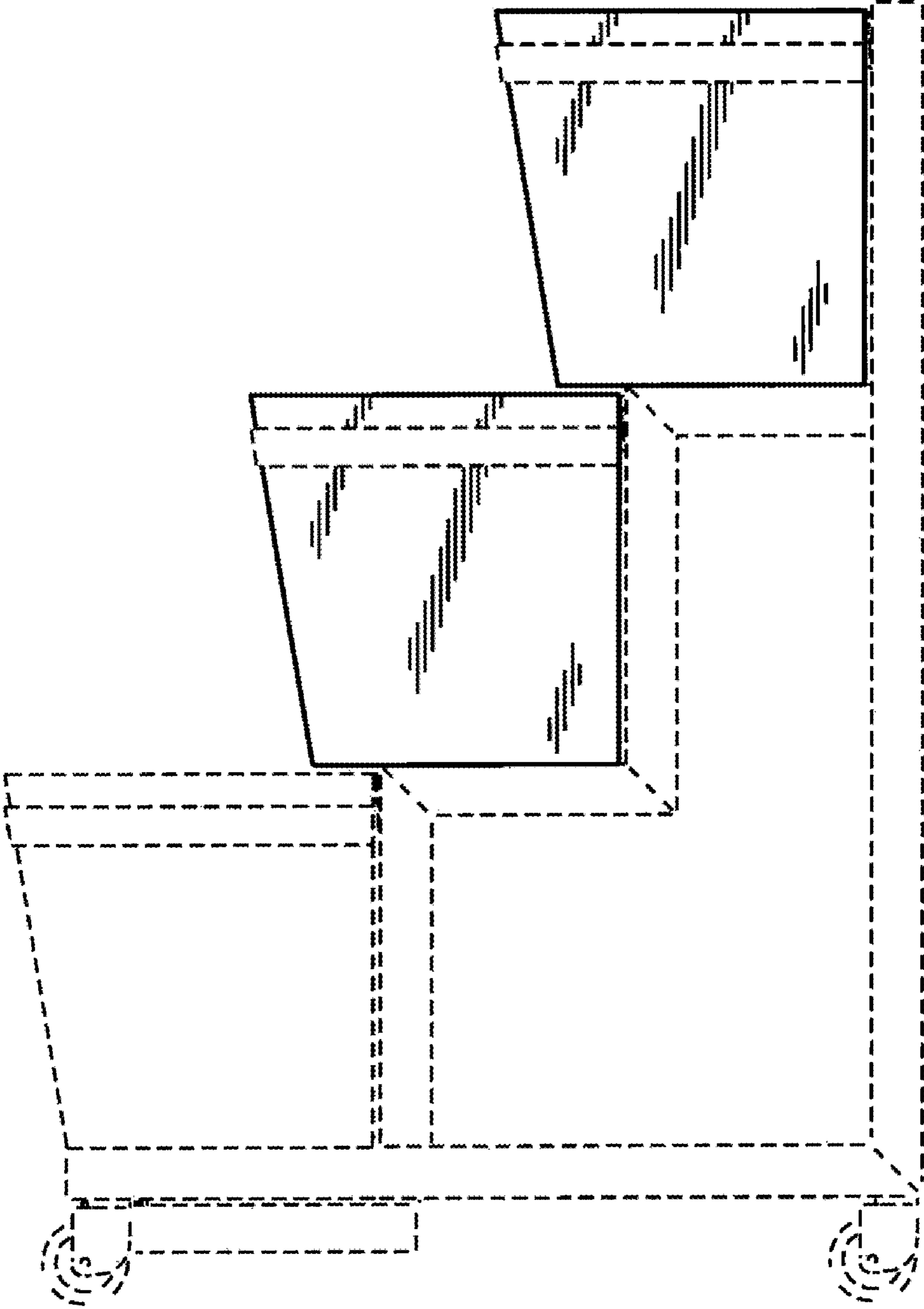


FIG. 12

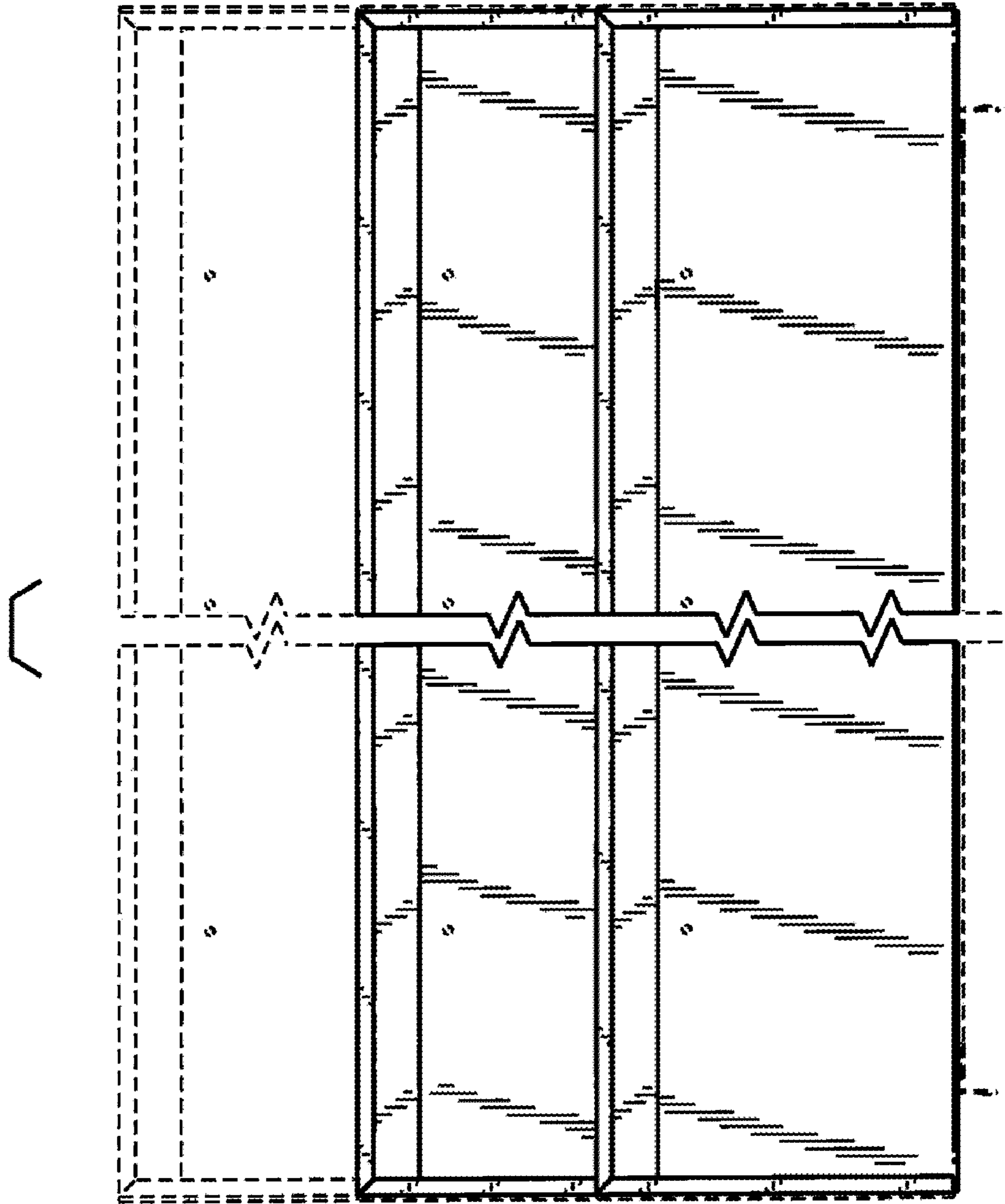


FIG. 13

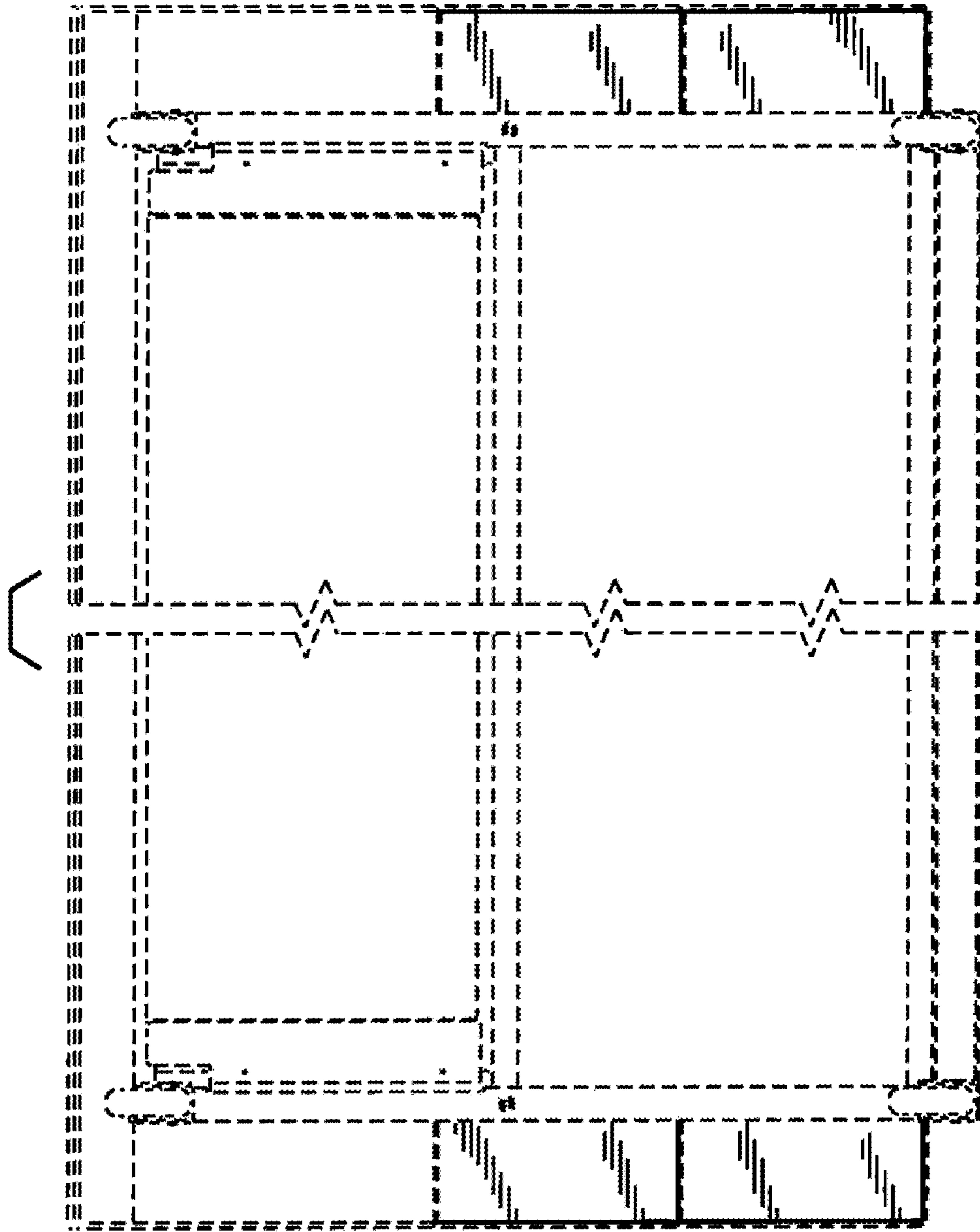


FIG. 14

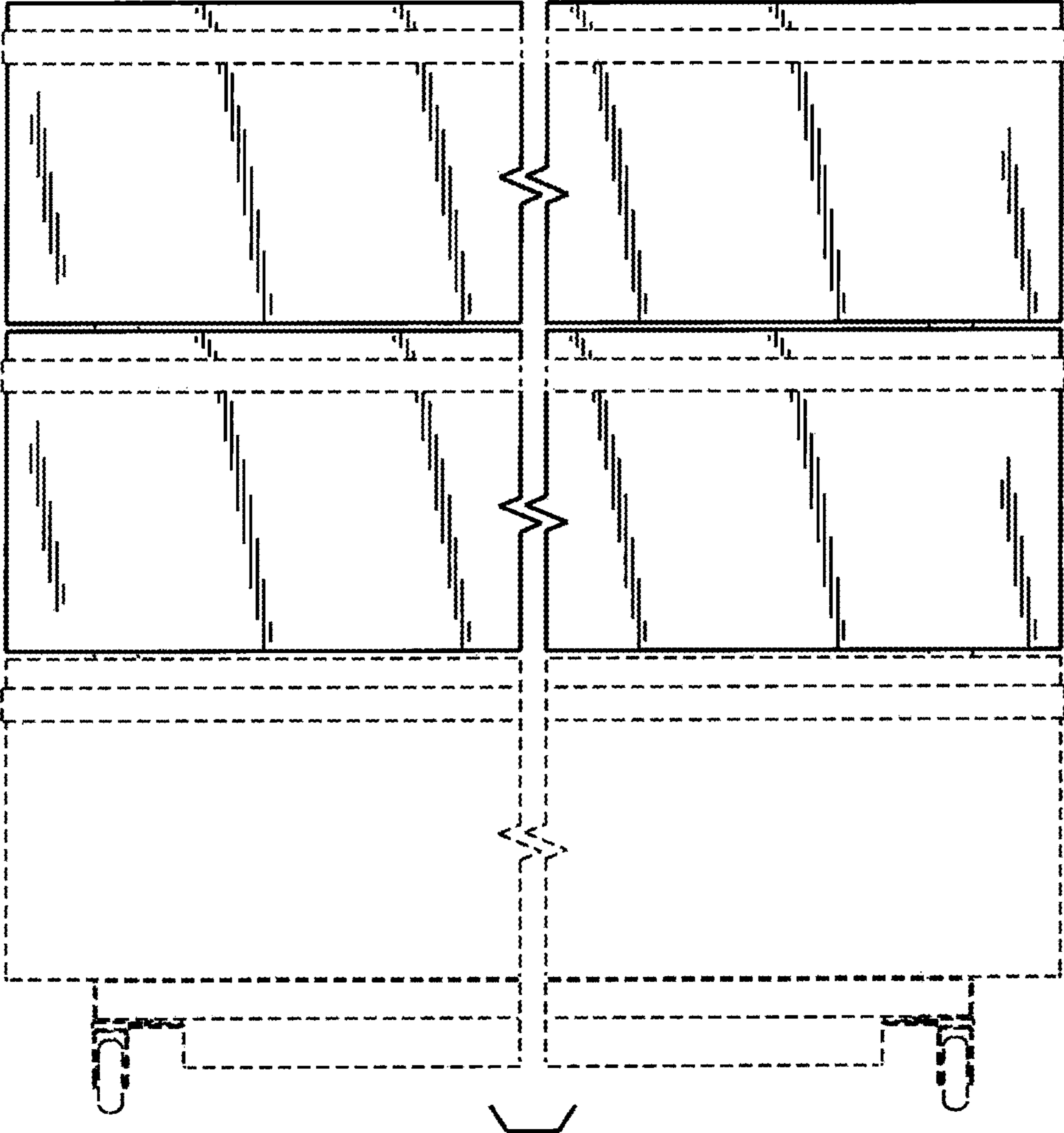


FIG. 15



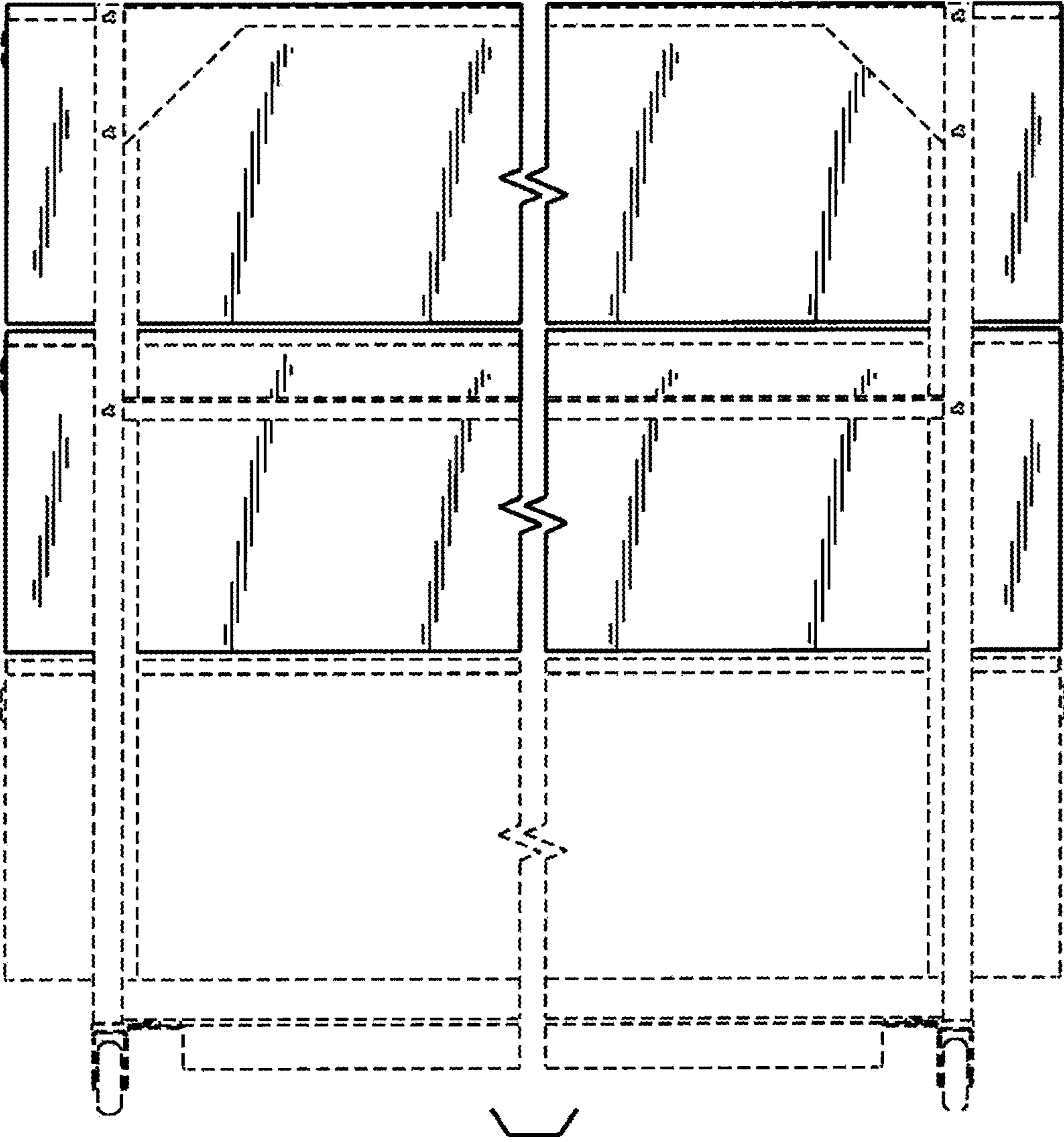


FIG. 16

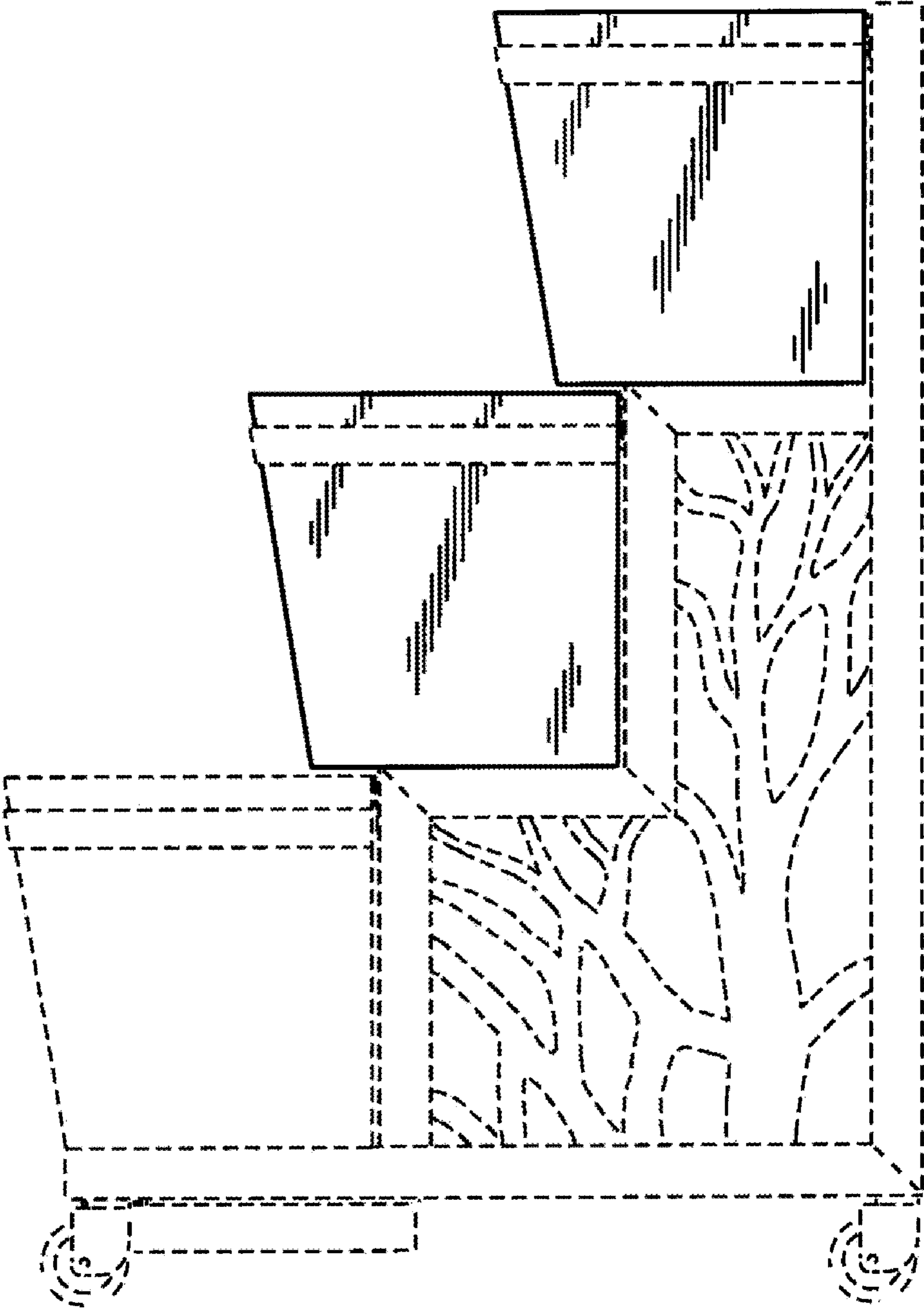


FIG. 17

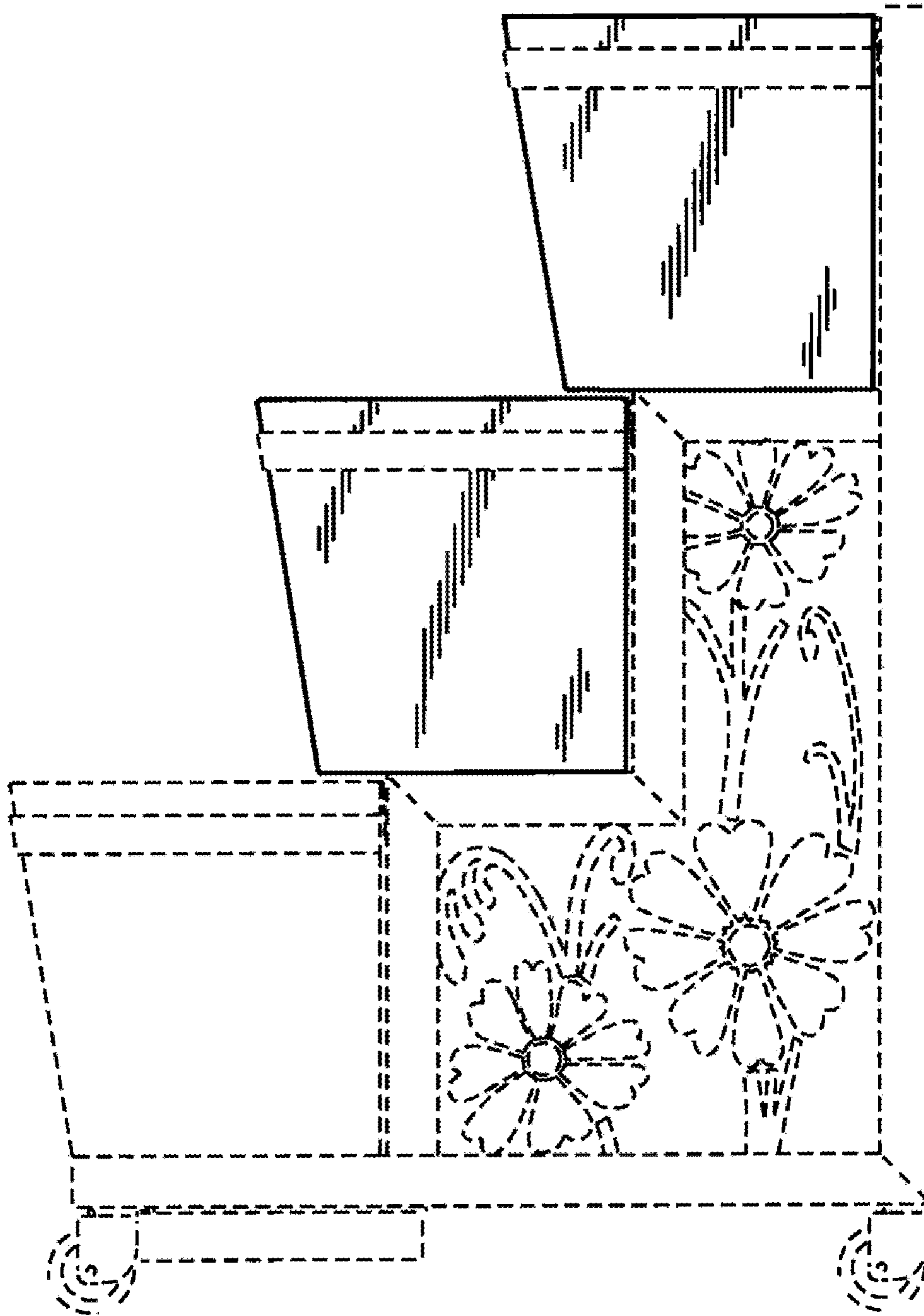


FIG. 18

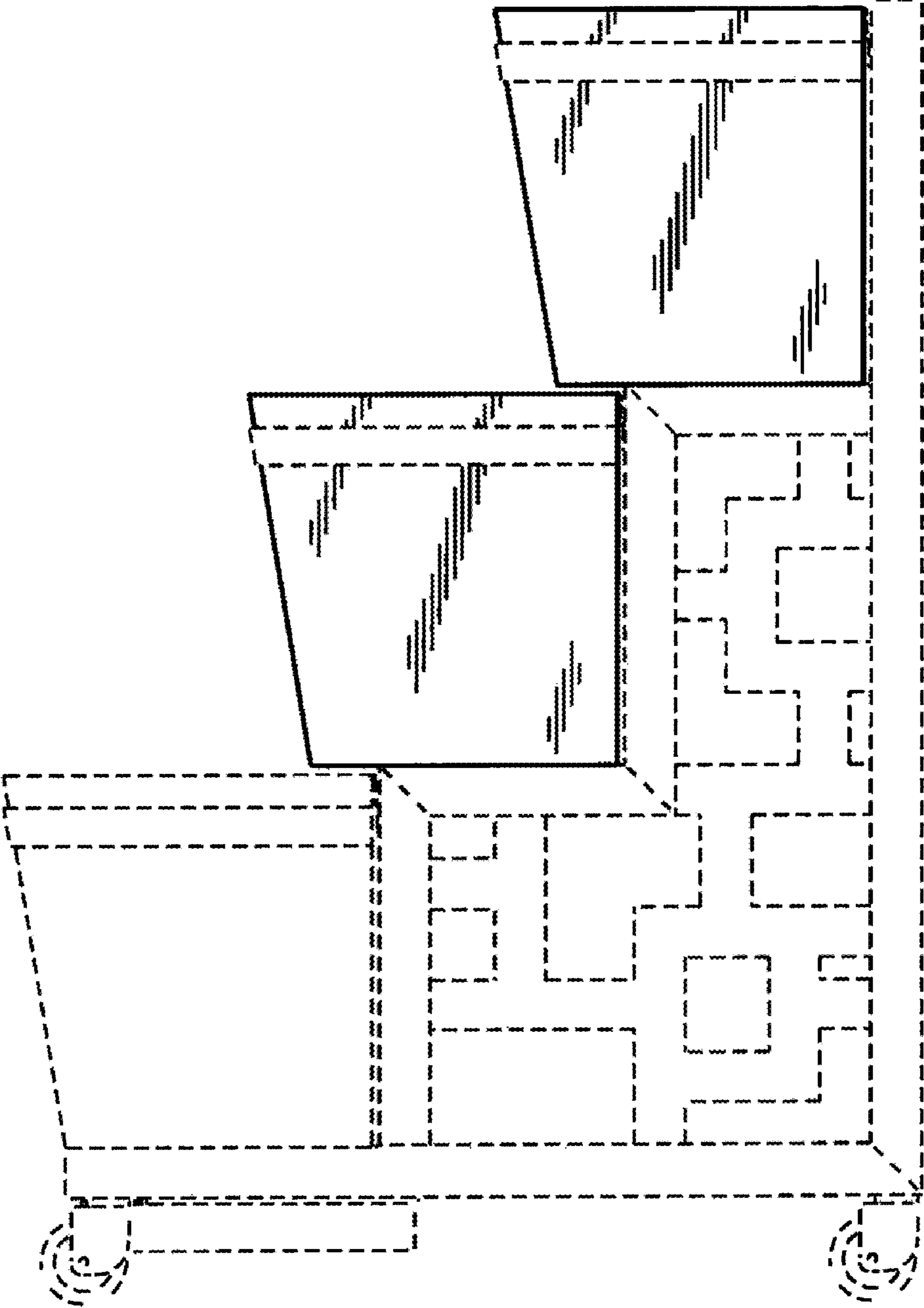


FIG. 19



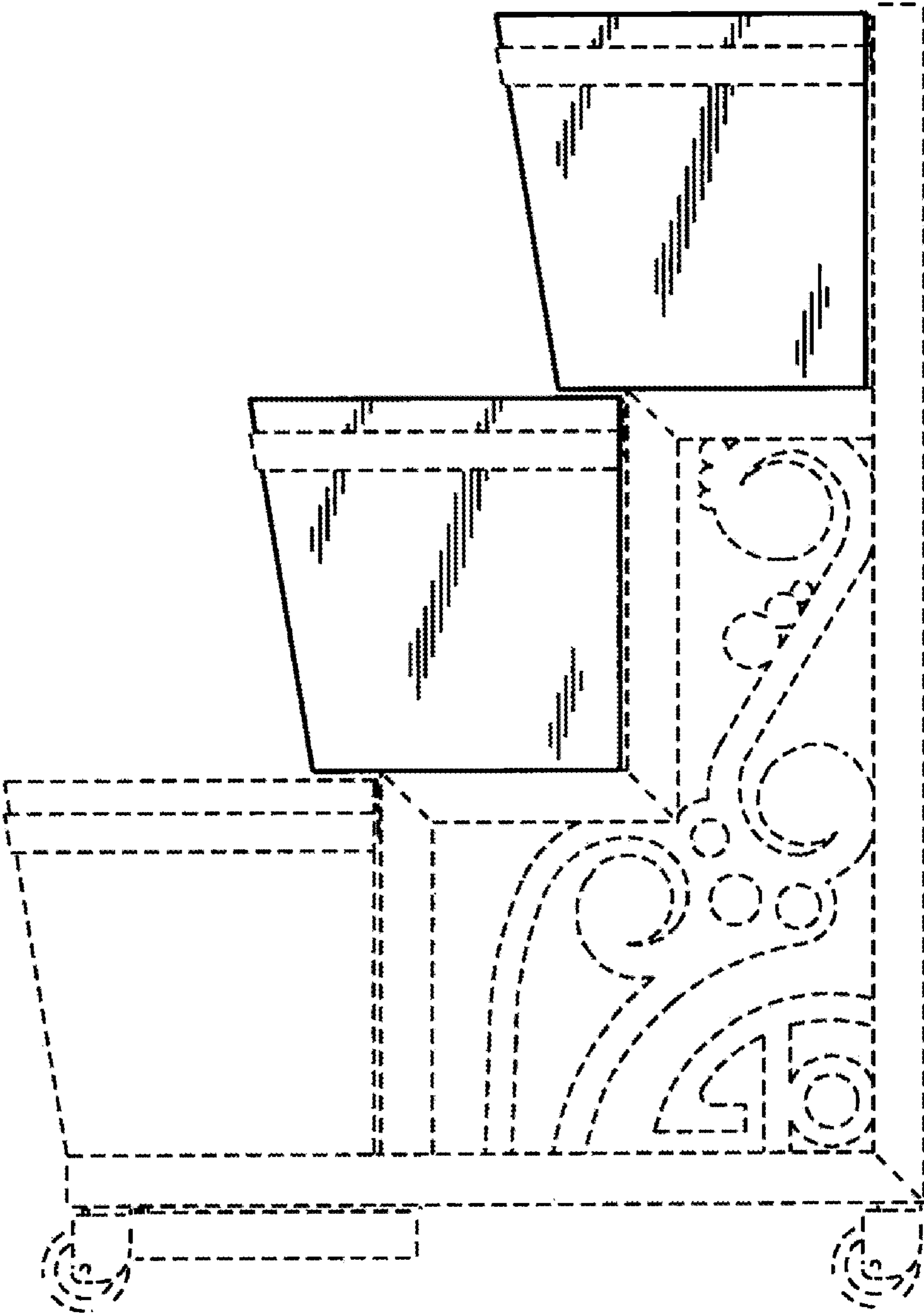


FIG. 20