



US00D675126S

(12) **United States Design Patent**
Hauskins

(10) **Patent No.:** **US D675,126 S**
(45) **Date of Patent:** **** Jan. 29, 2013**

(54) **GOLF BALL FLOWER**

(76) Inventor: **Lawrence T. Hauskins**, Lakeville, MN
(US)

(**) Term: **14 Years**

(21) Appl. No.: **29/395,327**

(22) Filed: **Jan. 3, 2012**

(51) **LOC (9) Cl.** **11-04**

(52) **U.S. Cl.** **D11/117**

(58) **Field of Classification Search** D11/117,
D11/118, 121, 125, 130, 131, 143, 144, 146,
D11/149, 151, 157; D21/319, 708, 709,
D21/733, 759, 789; 428/7, 8, 9, 12, 17, 18,
428/19, 20, 21, 23, 24; 473/131, 132, 133,
473/284, 351, 355, 387

See application file for complete search history.

(56) **References Cited**

U.S. PATENT DOCUMENTS

D37,243 S *	11/1904	Helmschmied	D7/392
1,831,559 A *	11/1931	Ham et al.	428/26
1,886,429 A *	11/1932	Saeks	239/60
D191,865 S *	12/1961	Mosheim	D32/43
D196,254 S *	9/1963	Dwyer	D26/127
D196,258 S *	9/1963	Dwyer	D26/127
D269,630 S *	7/1983	Mayuzumi	D21/585
D288,258 S *	2/1987	Oden	D99/30
D294,845 S *	3/1988	Colclasure	D21/709
D294,846 S *	3/1988	Colclasure	D21/709
D294,847 S *	3/1988	Colclasure	D21/709
D318,797 S *	8/1991	Cohen	D9/663
D319,170 S *	8/1991	Franke	D8/38
D342,693 S *	12/1993	Kozma	D11/117
D345,021 S *	3/1994	Storey et al.	D26/27
D355,868 S *	2/1995	Brooks	D11/117
D360,379 S *	7/1995	Dwosh	D11/117

D360,955 S *	8/1995	Sandstrom et al.	D25/131
D362,798 S *	10/1995	Porgesz	D9/663
D368,233 S *	3/1996	Spickelmier	D11/117
D379,430 S *	5/1997	Siripreedabhakd et al.	...	D9/663
D380,673 S *	7/1997	Siripreedabhakd et al.	...	D9/663
D417,887 S *	12/1999	Coipel	D19/6
D438,139 S *	2/2001	Mozena	D11/117
D504,082 S *	4/2005	Weiser et al.	D11/117
D516,944 S *	3/2006	Weiser et al.	D11/117
D525,903 S *	8/2006	Weiser et al.	D11/117
D569,301 S *	5/2008	Fotherby	D11/117
D617,205 S *	6/2010	Hernandez	D9/661
D659,491 S *	5/2012	Hausch	D8/1

* cited by examiner

Primary Examiner — Elizabeth J Oswecki

(74) *Attorney, Agent, or Firm* — Richard John Bartz

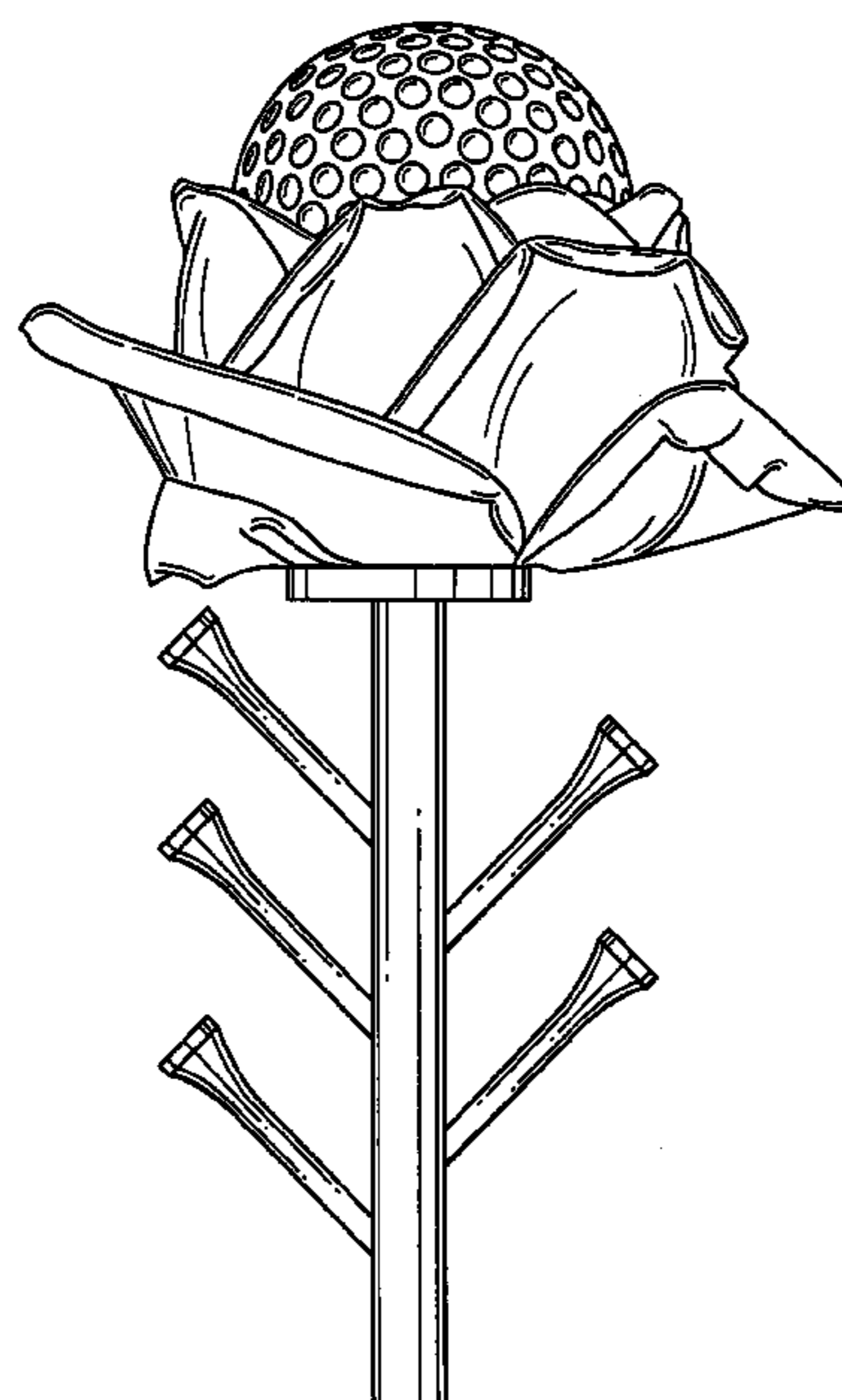
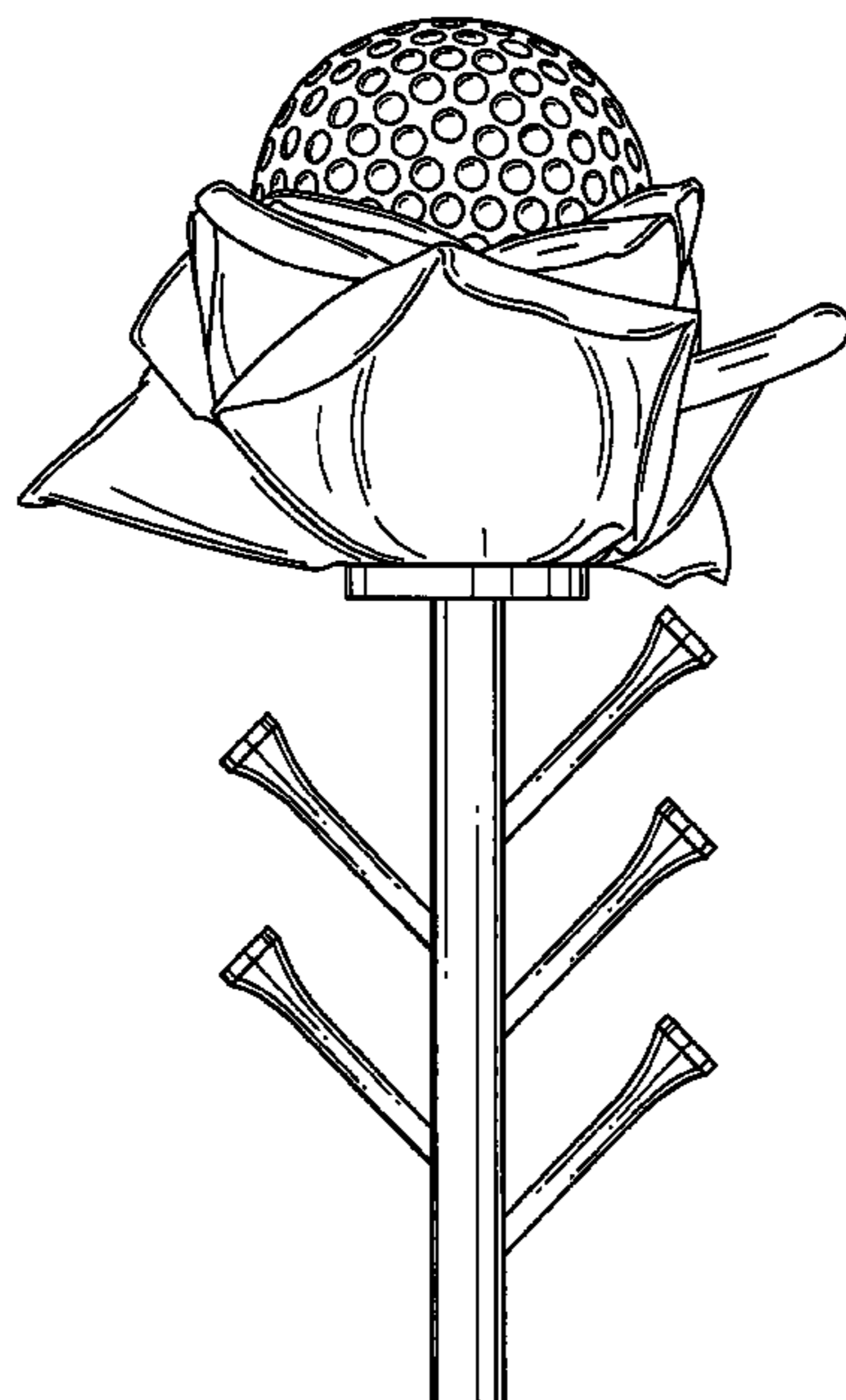
(57) **CLAIM**

The ornamental design for a golf ball flower, as shown and described.

DESCRIPTION

FIG. 1 is a front elevational view of a first embodiment of a golf ball flower showing my new design; FIG. 2 is a rear elevational view thereof; FIG. 3 is a left side elevational view thereof; FIG. 4 is a right side elevational view thereof; FIG. 5 is a top plan view thereof; FIG. 6 is a bottom plan view thereof; FIG. 7 is a front elevational view of a second embodiment of a golf ball flower showing my new design; FIG. 8 is a rear elevational view thereof; FIG. 9 is a left side elevational view thereof; FIG. 10 is a right side elevational view thereof; FIG. 11 is a top plan view thereof; and, FIG. 12 is a bottom plan view thereof.

1 Claim, 6 Drawing Sheets



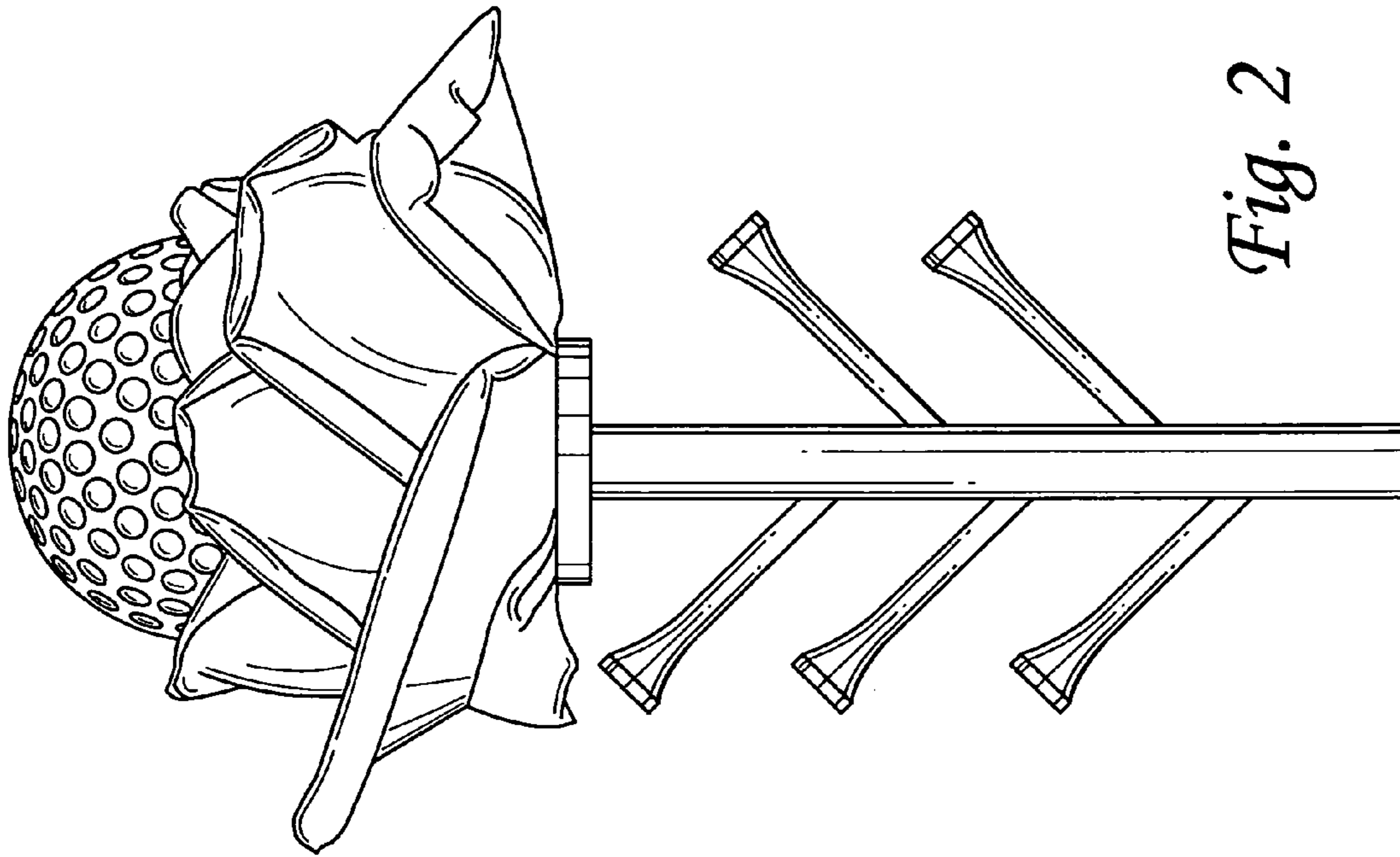


Fig. 2

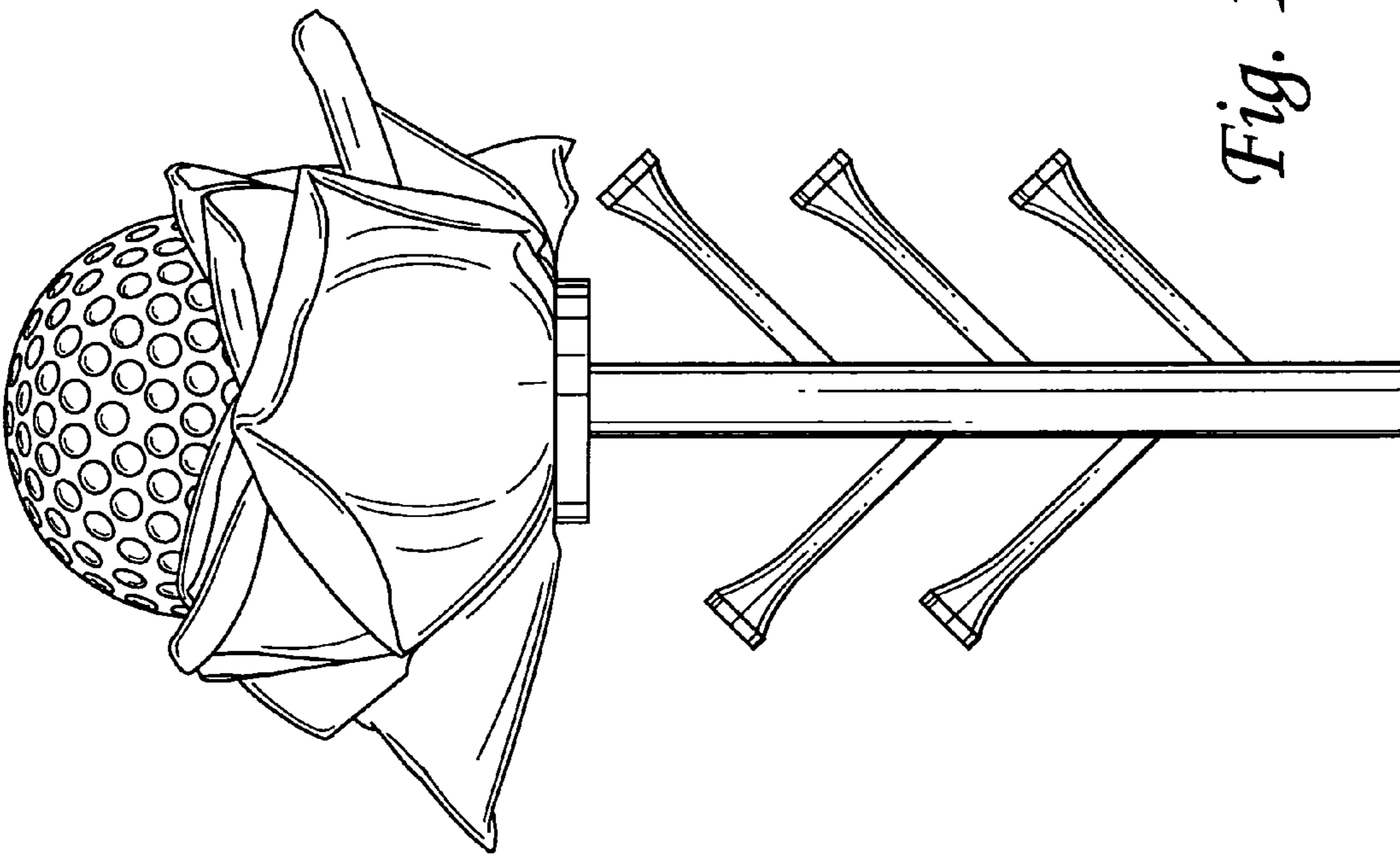


Fig. 1

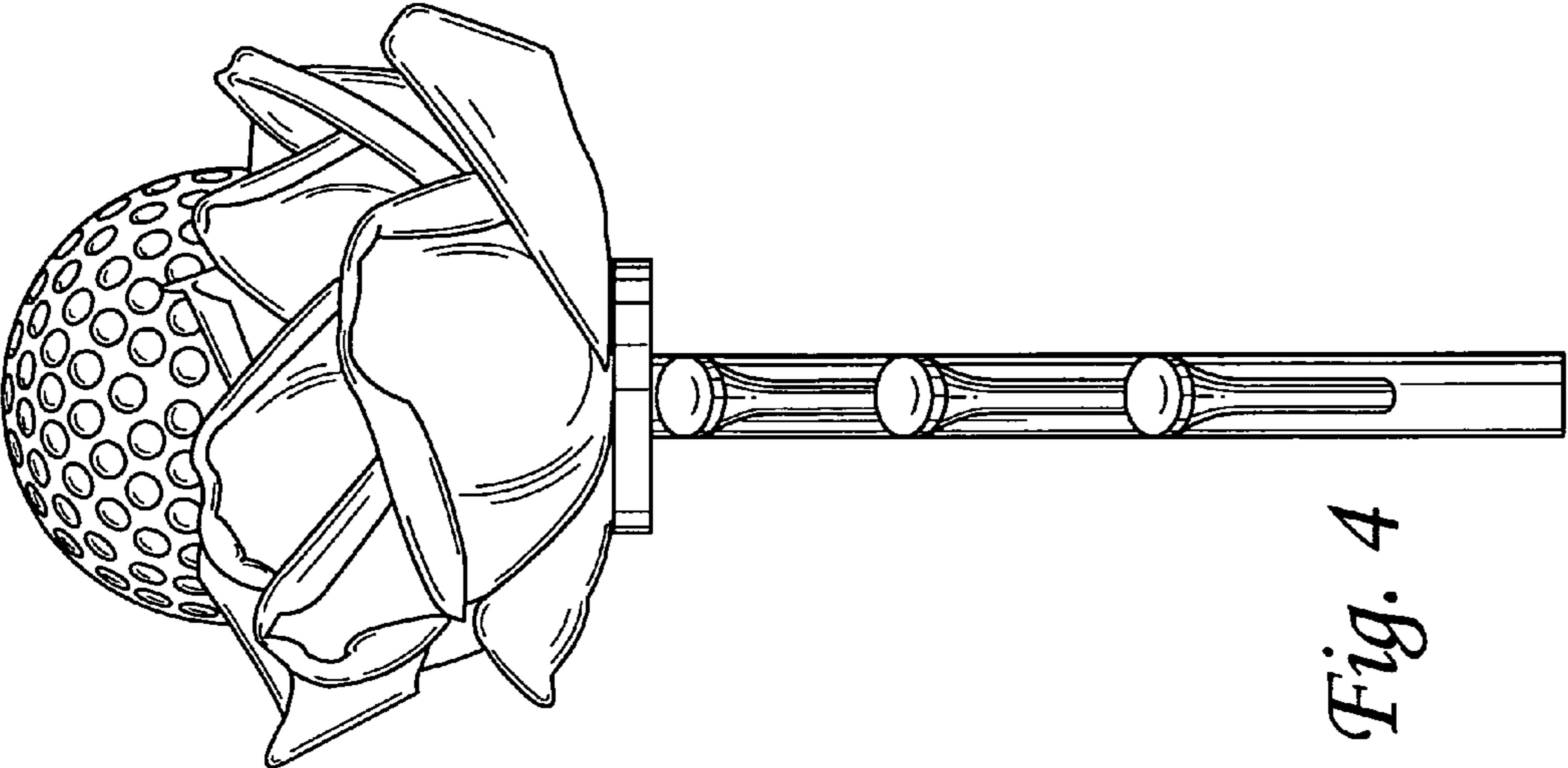


Fig. 4

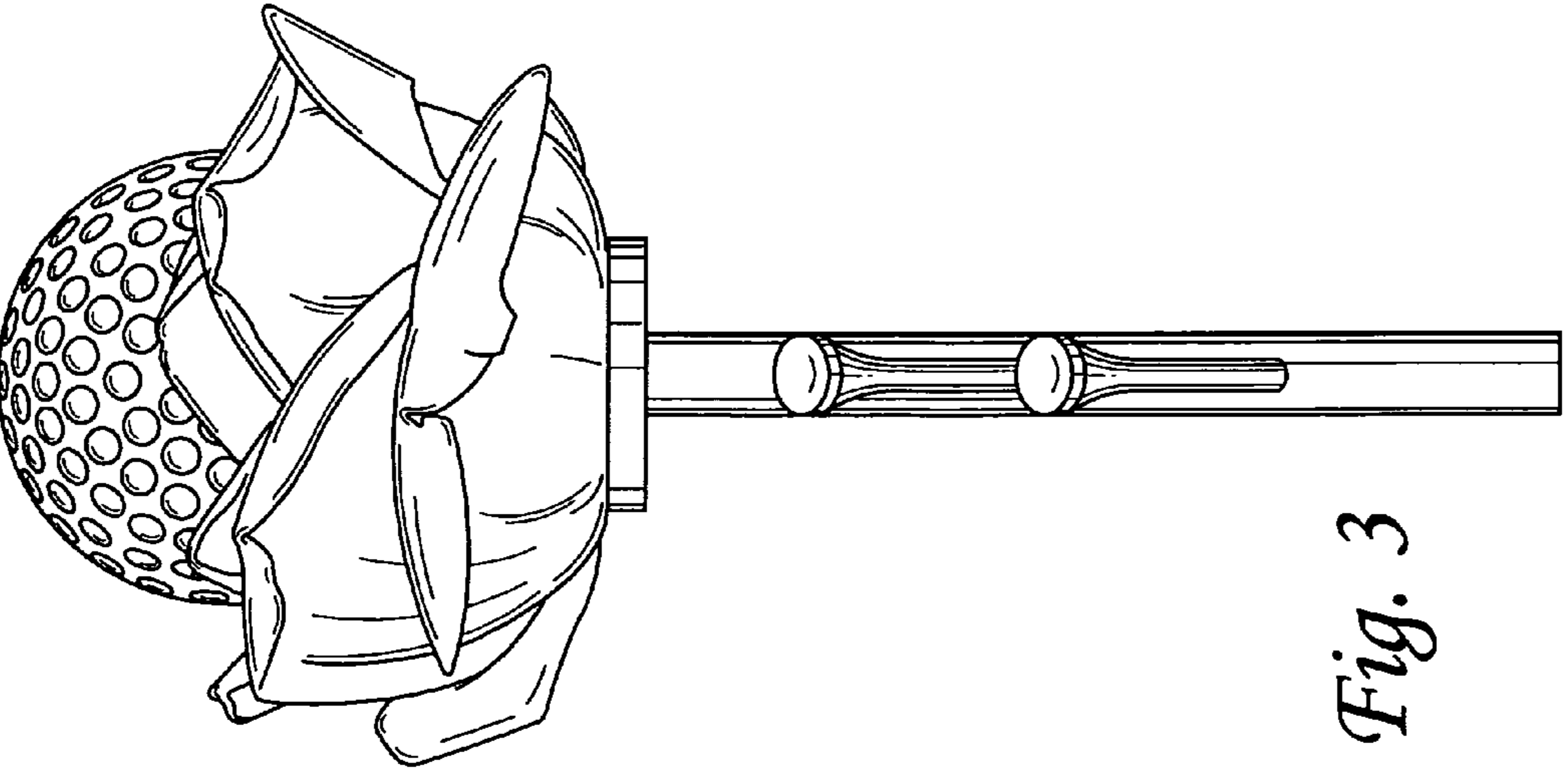


Fig. 3

Fig. 5

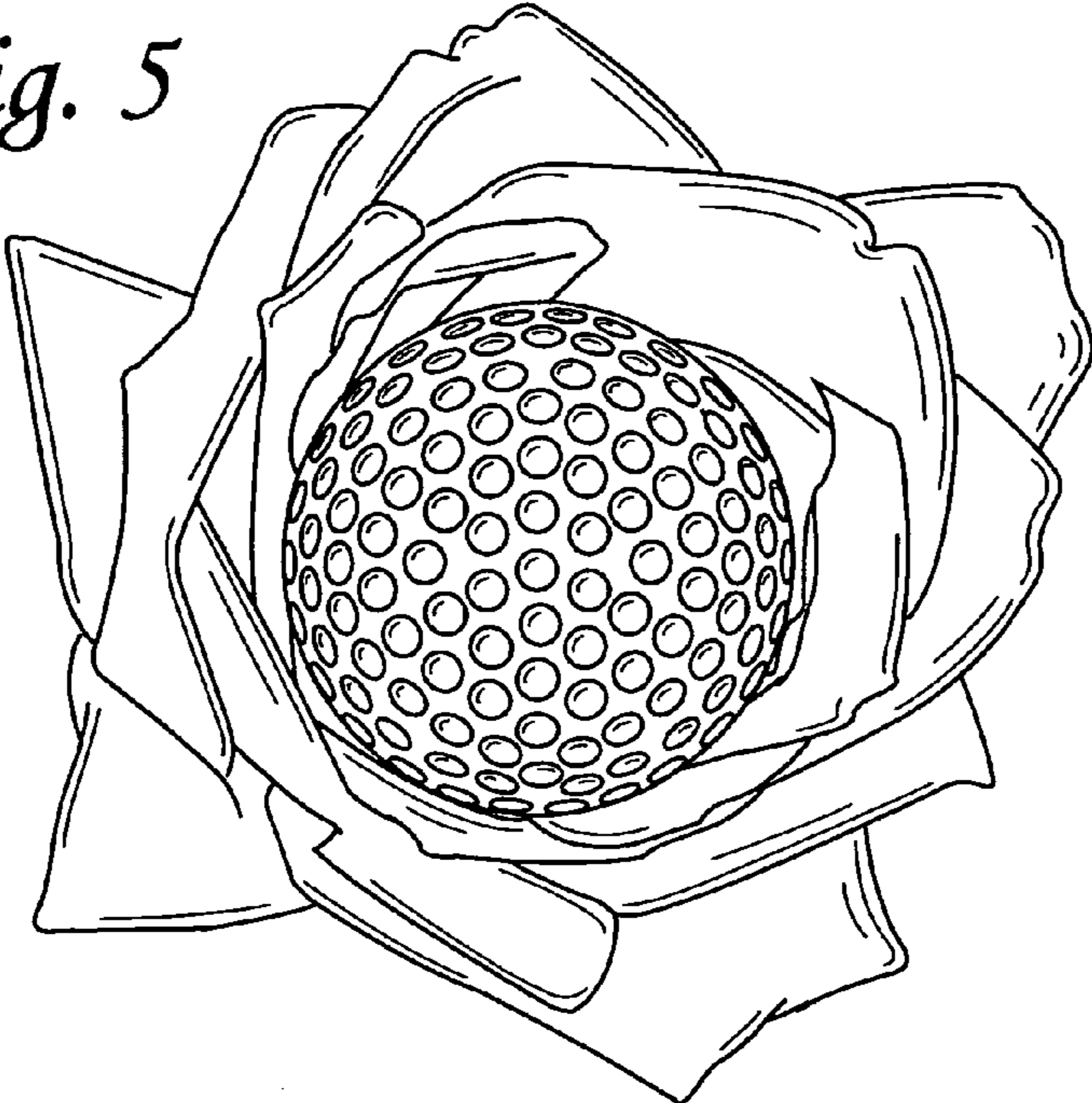
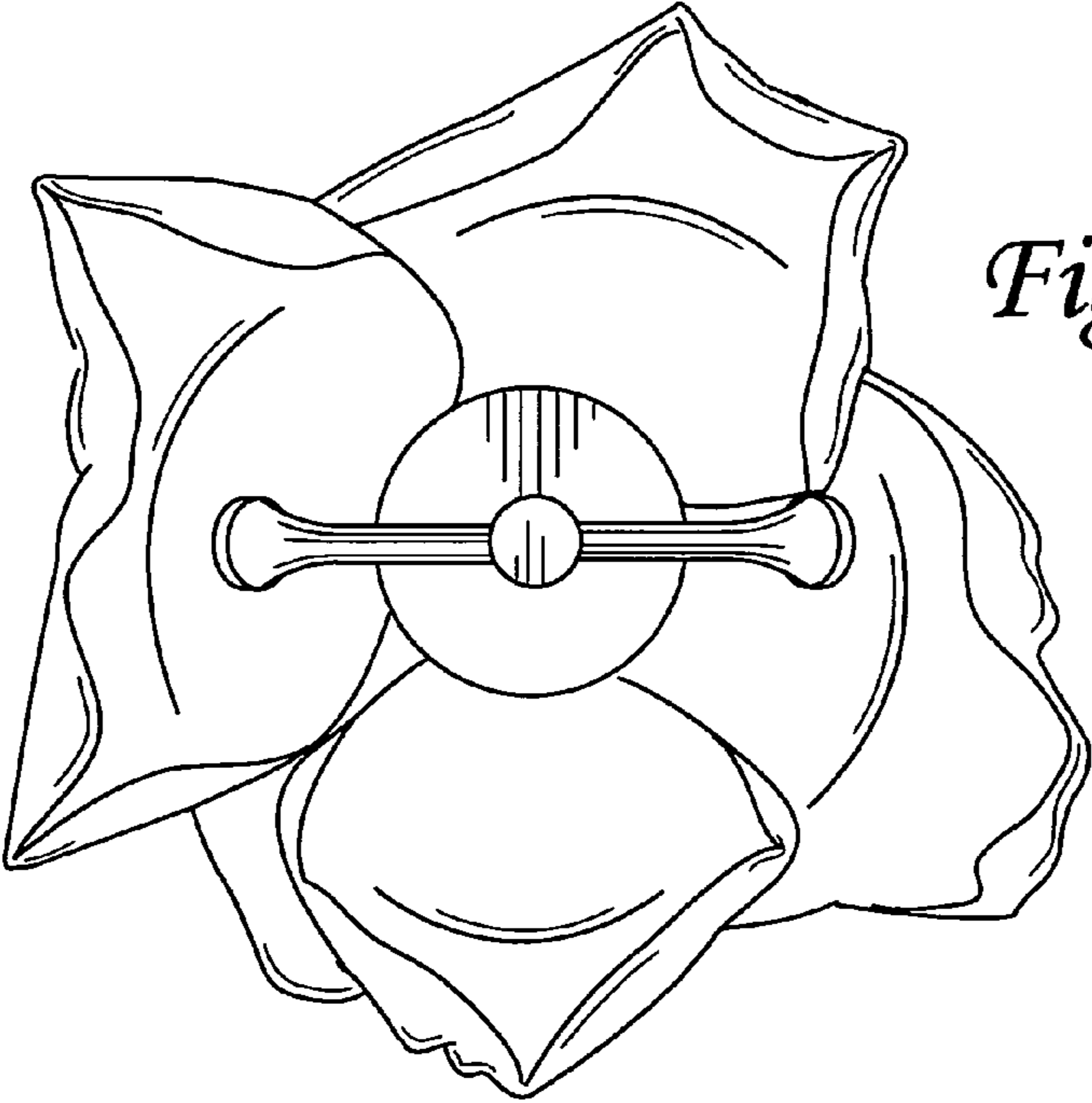


Fig. 6



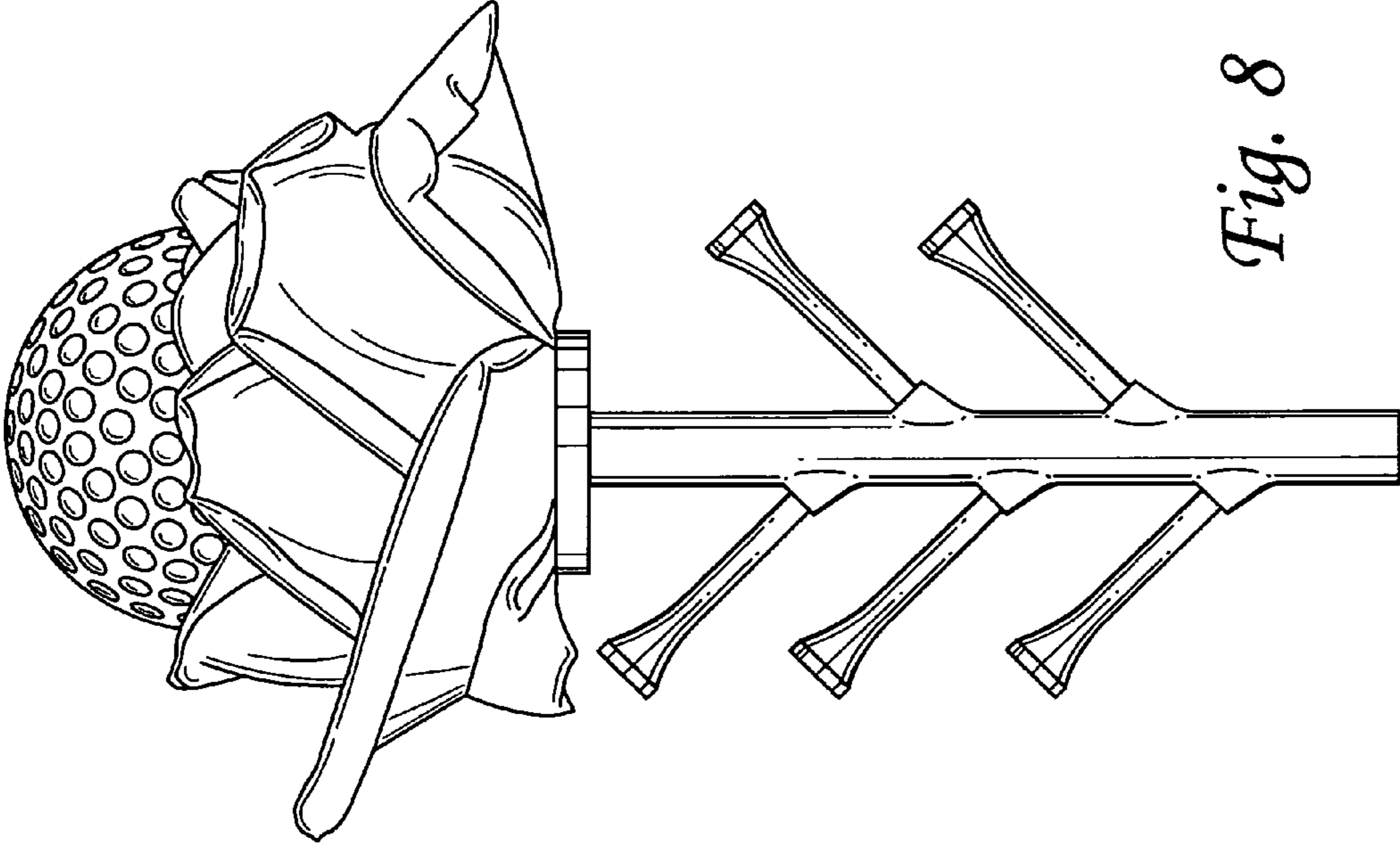


Fig. 8

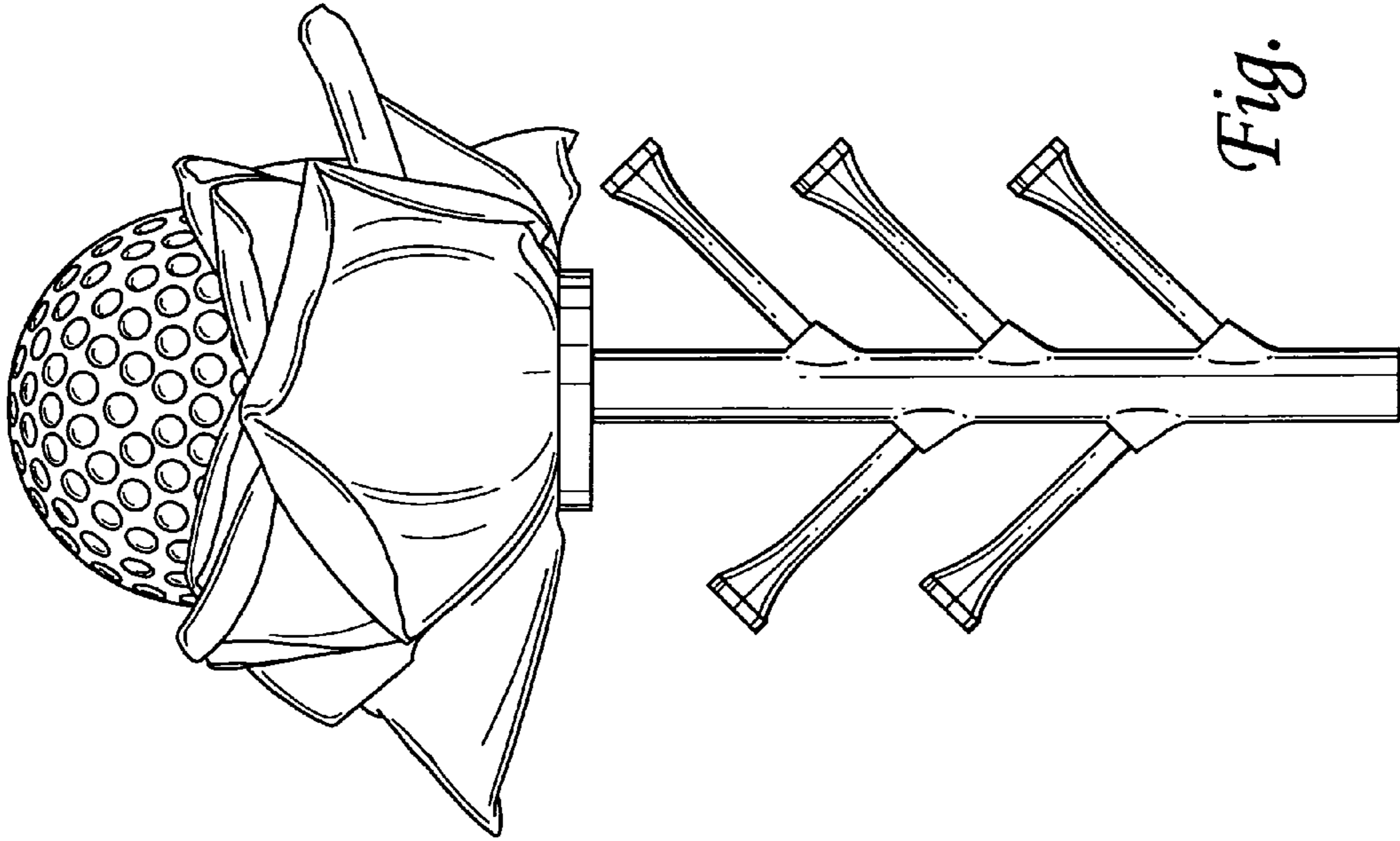


Fig. 7

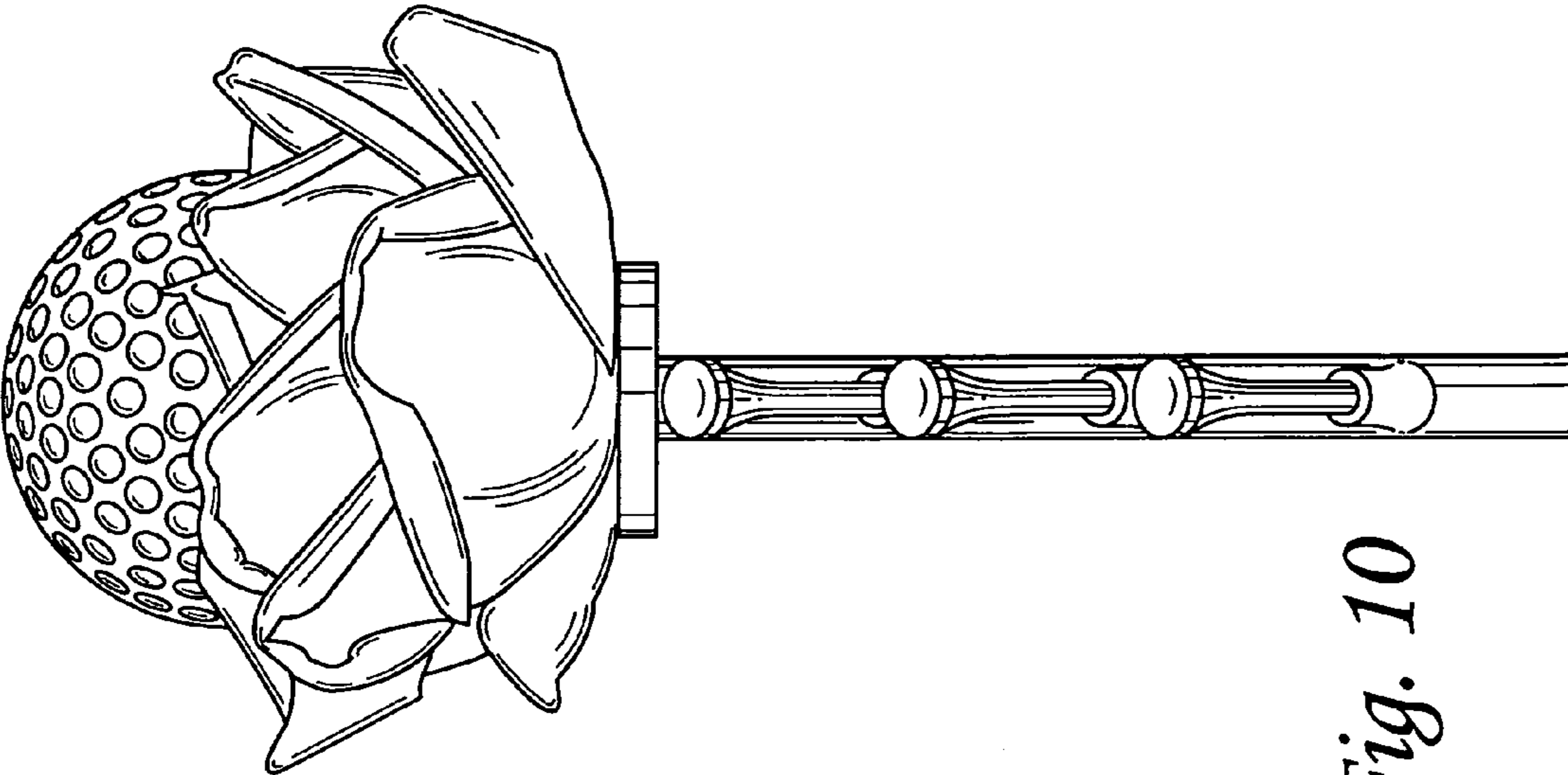


Fig. 10

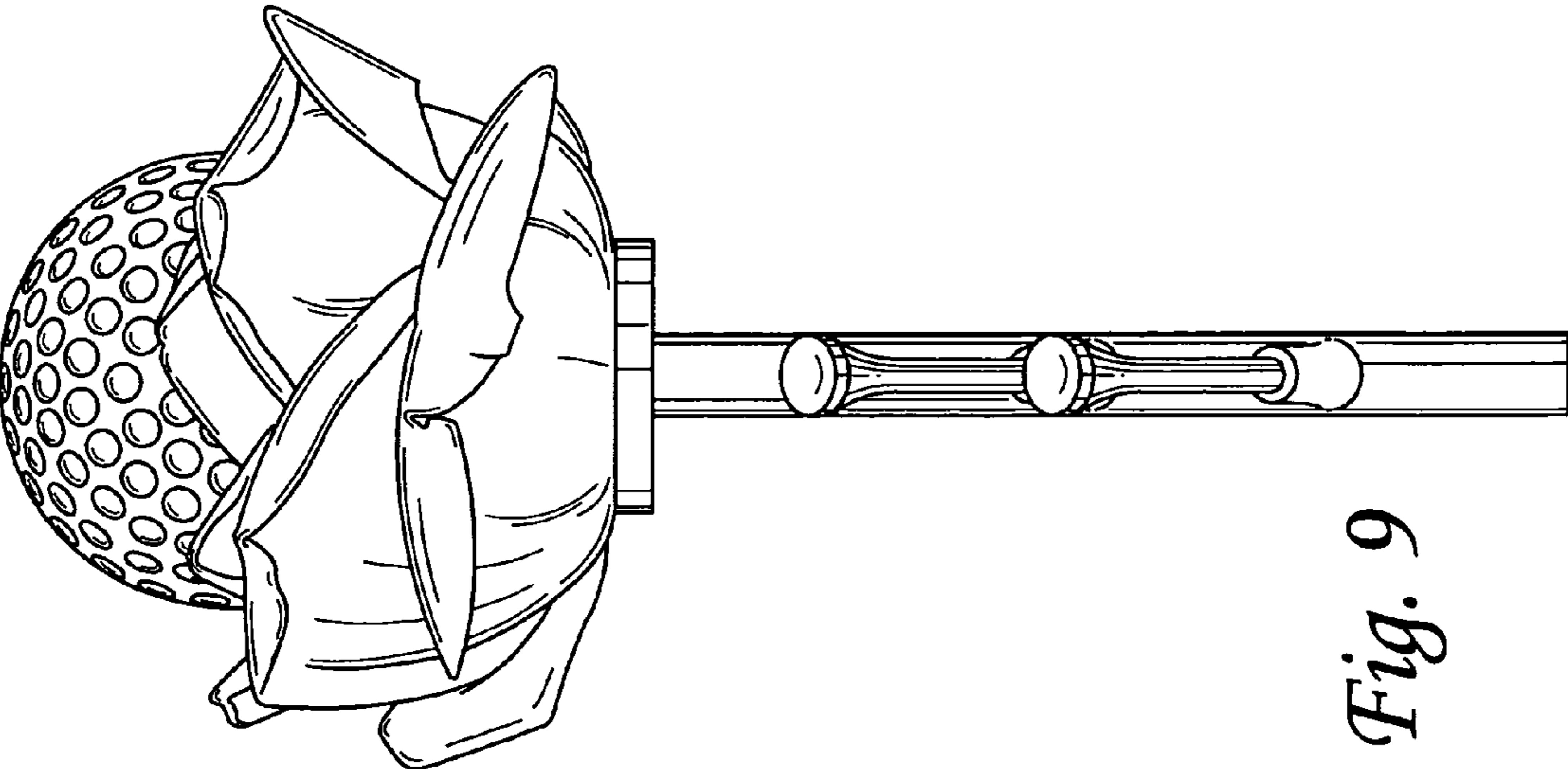


Fig. 9

Fig. 11

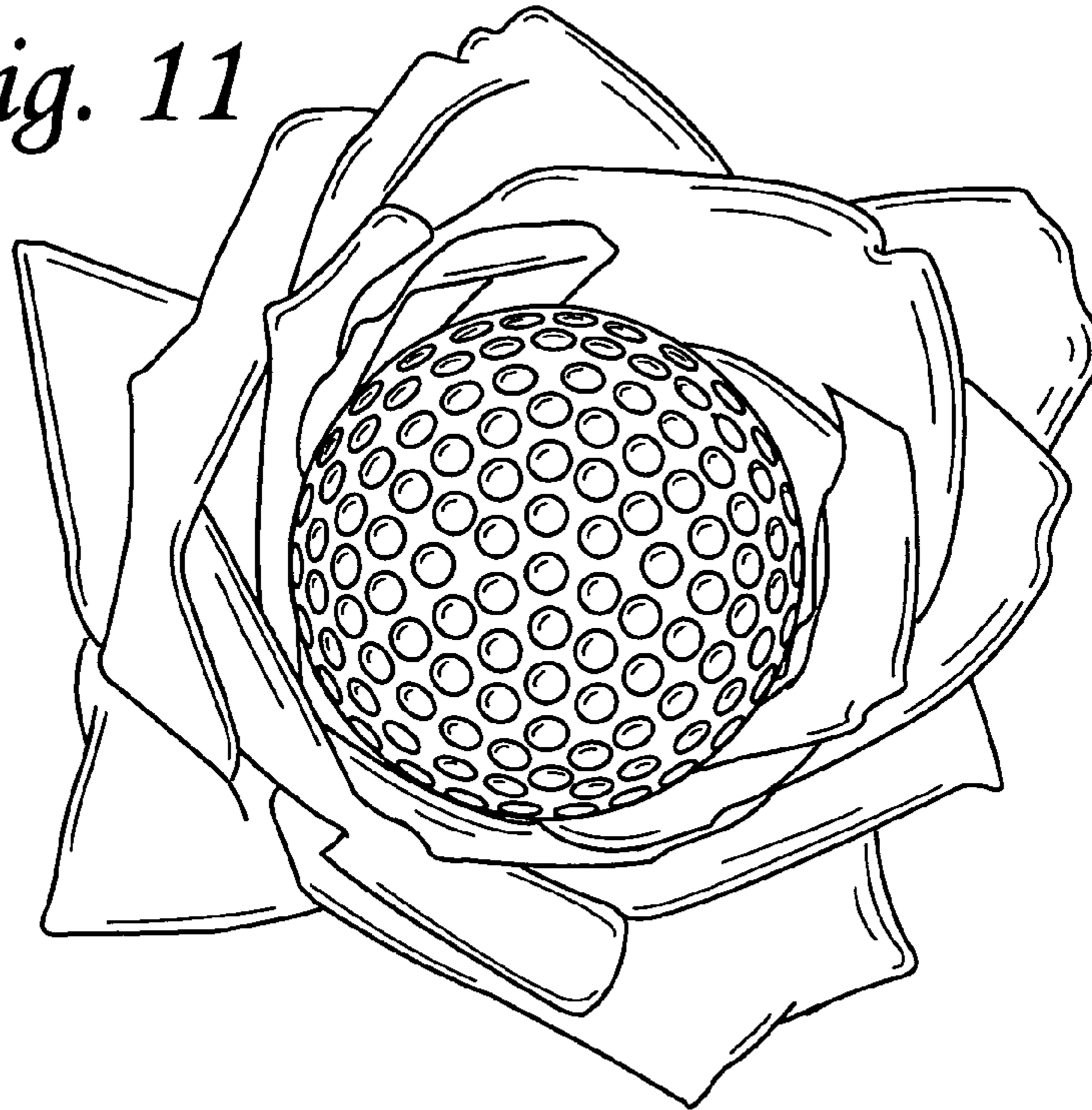


Fig. 12

