



US00D675123S

(12) **United States Design Patent**
Nunez

(10) **Patent No.:** **US D675,123 S**

(45) **Date of Patent:** **** Jan. 29, 2013**

(54) **BRACELET**

(76) Inventor: **Roy Y. Nunez**, Lakeside, AZ (US)

(**) Term: **14 Years**

(21) Appl. No.: **29/419,326**

(22) Filed: **Apr. 26, 2012**

(51) **LOC (9) Cl.** **11-01**

(52) **U.S. Cl.** **D11/3**

(58) **Field of Classification Search** D11/1-29;
63/15, 15.1-15.4, 15.45, 15.5-15.7, 3, 3.1,
63/3.2, 4, 5.1

See application file for complete search history.

(56) **References Cited**

U.S. PATENT DOCUMENTS

D90,780 S	9/1933	Oulton	
D148,559 S	2/1948	Ostheimer	
2,871,592 A	2/1959	Polzin	
D257,335 S	10/1980	Hofman	
D356,051 S *	3/1995	Akdemir	D11/12
D448,156 S	9/2001	Gietz	
D509,765 S	9/2005	Lishen	
D548,128 S	8/2007	Andren et al.	
D551,584 S	9/2007	Highfill	
D553,536 S	10/2007	Andren et al.	
D555,028 S *	11/2007	Highfill	D11/3
D566,526 S *	4/2008	Robbins et al.	D8/354
D644,138 S	8/2011	Webb	
D652,337 S *	1/2012	Molik	D11/3
D652,756 S *	1/2012	Lans	D11/3
D660,740 S *	5/2012	Cullen et al.	D11/3

* cited by examiner

Primary Examiner — Cathron Brooks

Assistant Examiner — Melanie Pellegrini

(74) *Attorney, Agent, or Firm* — QuickPatents, Inc.; Kevin Prince

(57) **CLAIM**

I claim the ornamental design for a bracelet, as shown and described.

DESCRIPTION

FIG. 1 is a perspective view of a bracelet, showing my new design in a worn configuration;

FIG. 2 is a perspective view thereof, illustrated in a flat configuration;

FIG. 3 is a perspective view thereof, illustrated with a slit of the design slightly open;

FIG. 4 is a top plan view of FIG. 2;

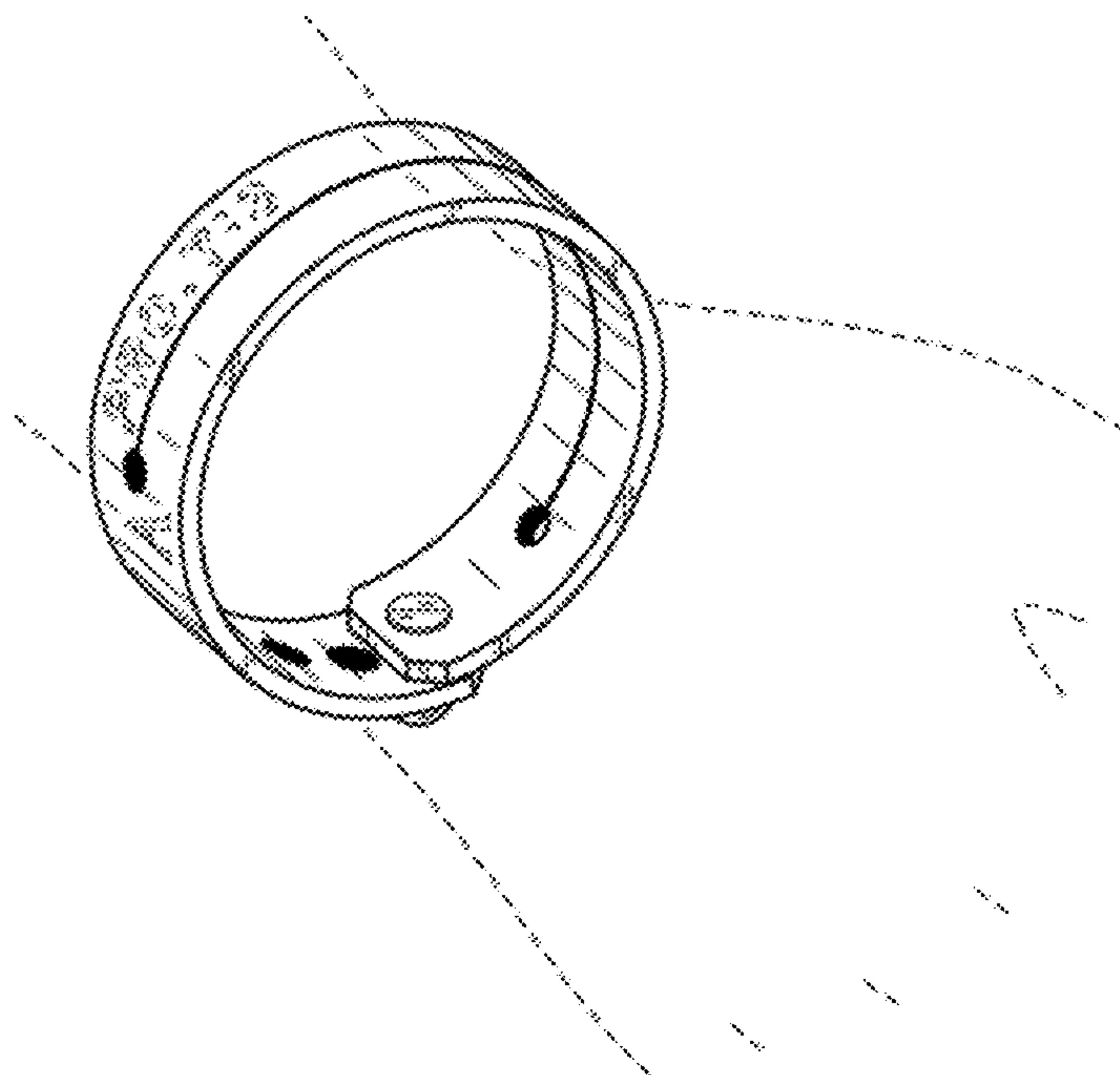
FIG. 5 is a front elevational view of FIG. 2;

FIG. 6 is a bottom plan view of FIG. 2; and,

FIG. 7 is a left-side elevational view of FIG. 2, the right-side elevational view being a mirror image thereof.

The broken lines showing a person in FIG. 1 and text in FIGS. 1-4 depict environmental matter and form no part of the claimed design. The shading on the inside edge of the first aperture of the bracelet depicts the color red, and the shading on the remaining inside edges of the other apertures and slit depicts the color black.

1 Claim, 2 Drawing Sheets



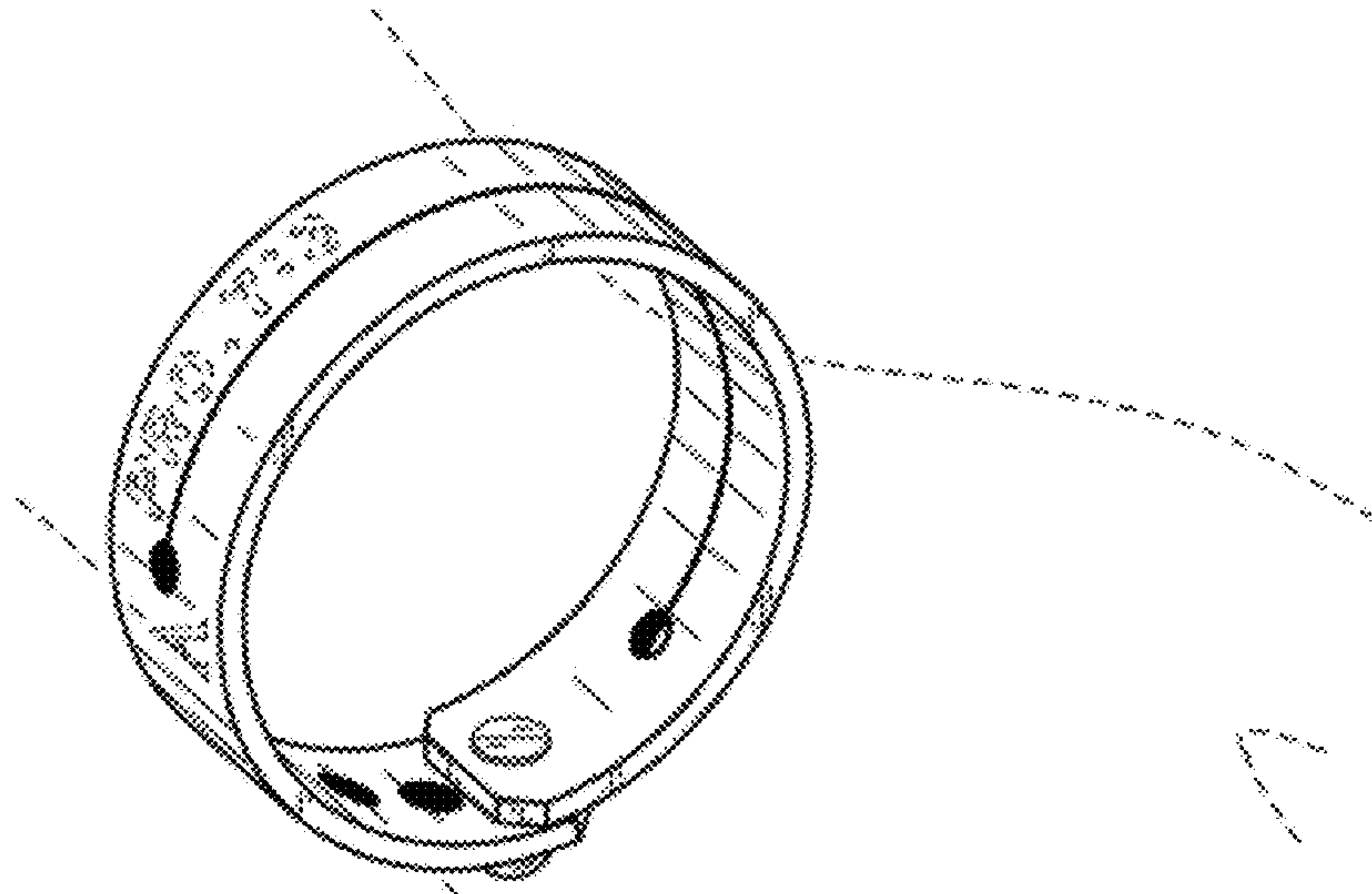


FIG. 1

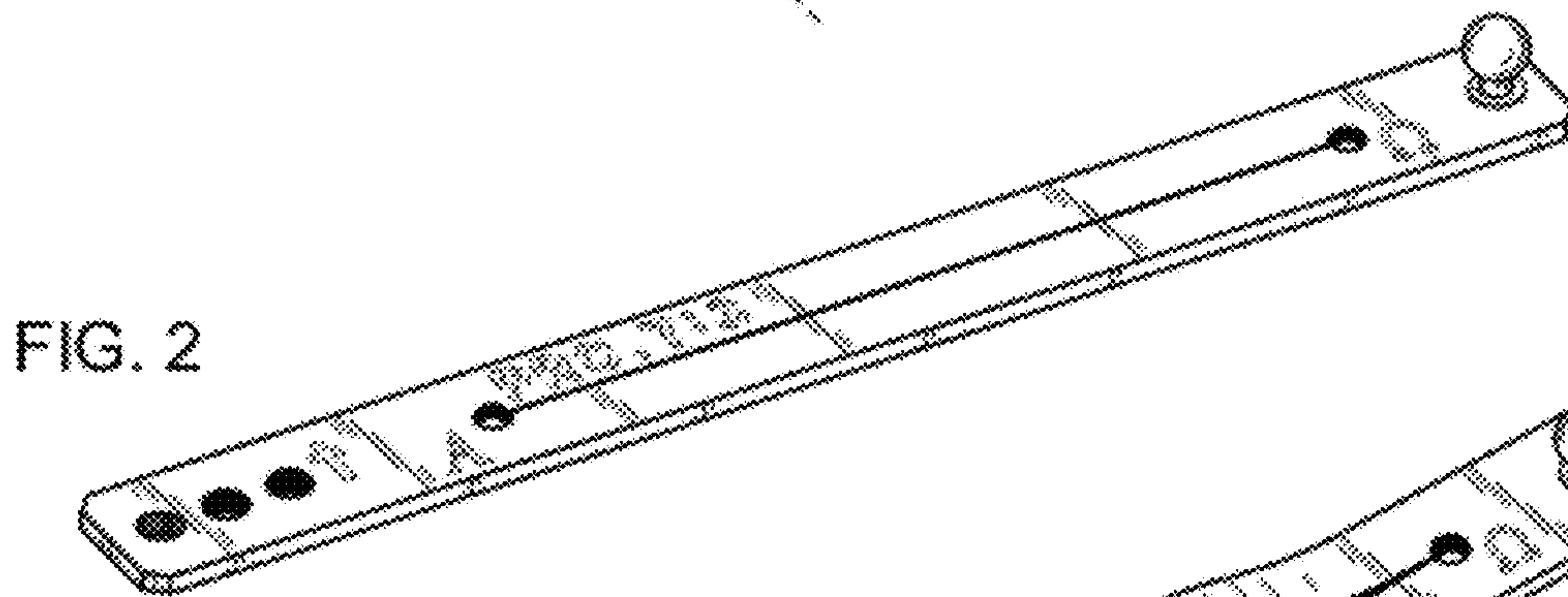


FIG. 2

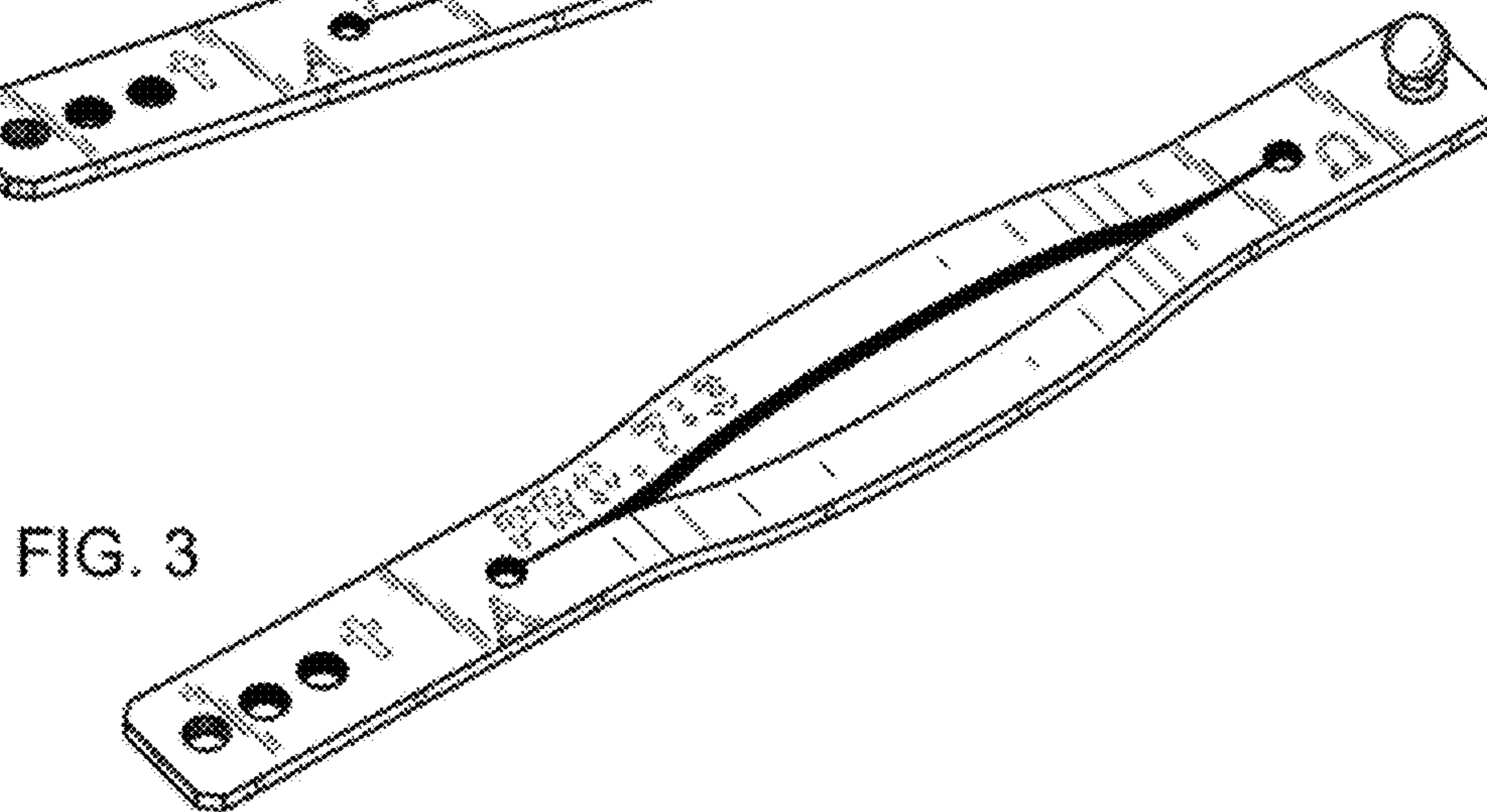


FIG. 3

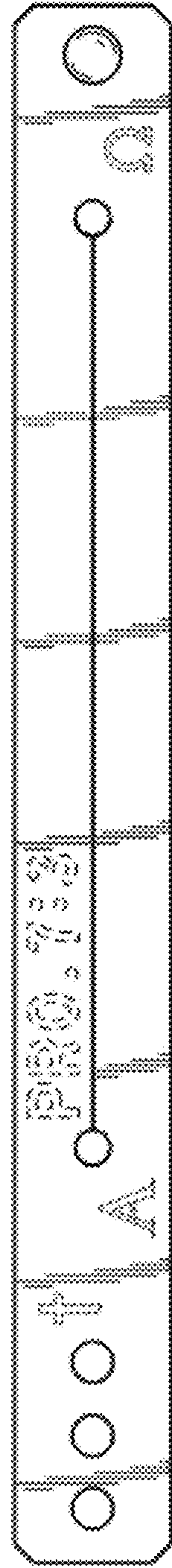


FIG. 4



FIG. 5

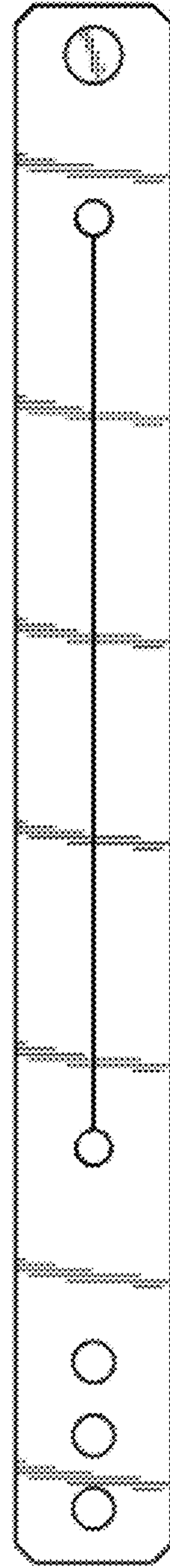


FIG. 6



FIG. 7