

US00D675121S

(12) **United States Design Patent**  
**Azuma et al.**

(10) **Patent No.:** **US D675,121 S**  
(45) **Date of Patent:** **\*\* Jan. 29, 2013**

(54) **WATER METER**

(75) Inventors: **Koichi Azuma**, Nagoya (JP); **Masahiko Goto**, Nagoya (JP); **Yoshihiro Kataoka**, Nagoya (JP); **Koichi Kimura**, Nagoya (JP)

(73) Assignee: **Aichi Tokei Denki Co., Ltd.**, Aichi-ken (JP)

(\*\*) Term: **14 Years**

(21) Appl. No.: **29/397,232**

(22) Filed: **Jul. 13, 2011**

(51) **LOC (9) Cl.** ..... **10-04**

(52) **U.S. Cl.** ..... **D10/96**

(58) **Field of Classification Search** ..... D10/96,  
D10/99; 73/271, 273, 861-861.41, 861.71-861.94  
See application file for complete search history.

(56) **References Cited**

**U.S. PATENT DOCUMENTS**

D358,783 S \* 5/1995 Nemoto et al. .... D10/96

\* cited by examiner

*Primary Examiner* — Antoine D Davis

(74) *Attorney, Agent, or Firm* — IP & T Group LLP

(57) **CLAIM**

The ornamental design for a water meter, as shown and described.

**DESCRIPTION**

This application is related by subject matter to another U.S. application Ser. No. 29/397,222 entitled "Water Meter" and filed on Jul. 13, 2011.

FIG. 1 is a top front perspective view of a water meter showing the new design; and

FIG. 2 is a front elevational view of the water meter;

FIG. 3 is a back elevational view of the water meter;

FIG. 4 is a right side elevational view of the water meter;

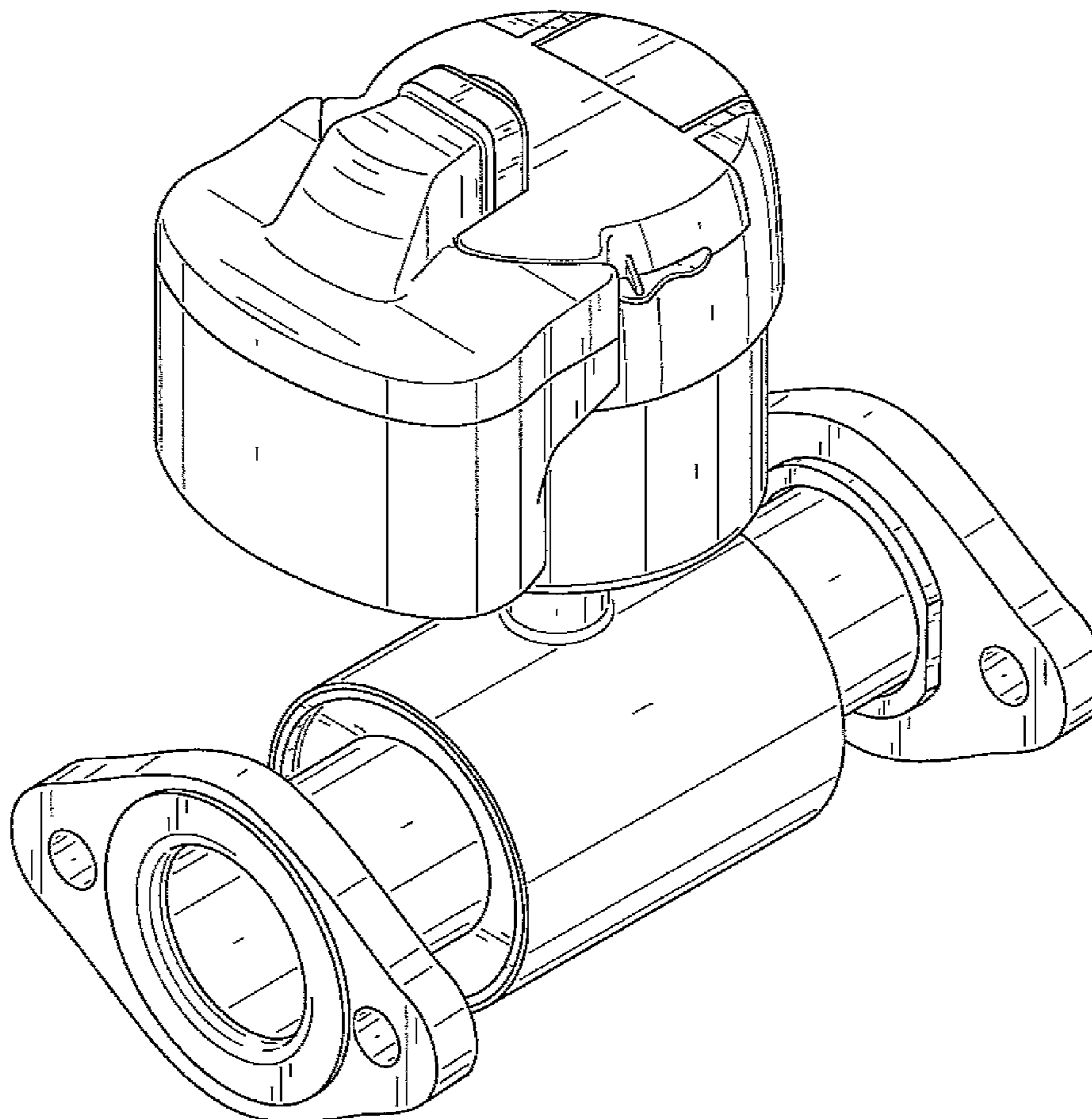
FIG. 5 is a left side elevational view of the water meter;

FIG. 6 is a top plan view of the water meter;

FIG. 7 is a bottom plan view of the water meter; and

FIG. 8 is a top front perspective view of the water meter with a lid hinged open.

**1 Claim, 8 Drawing Sheets**



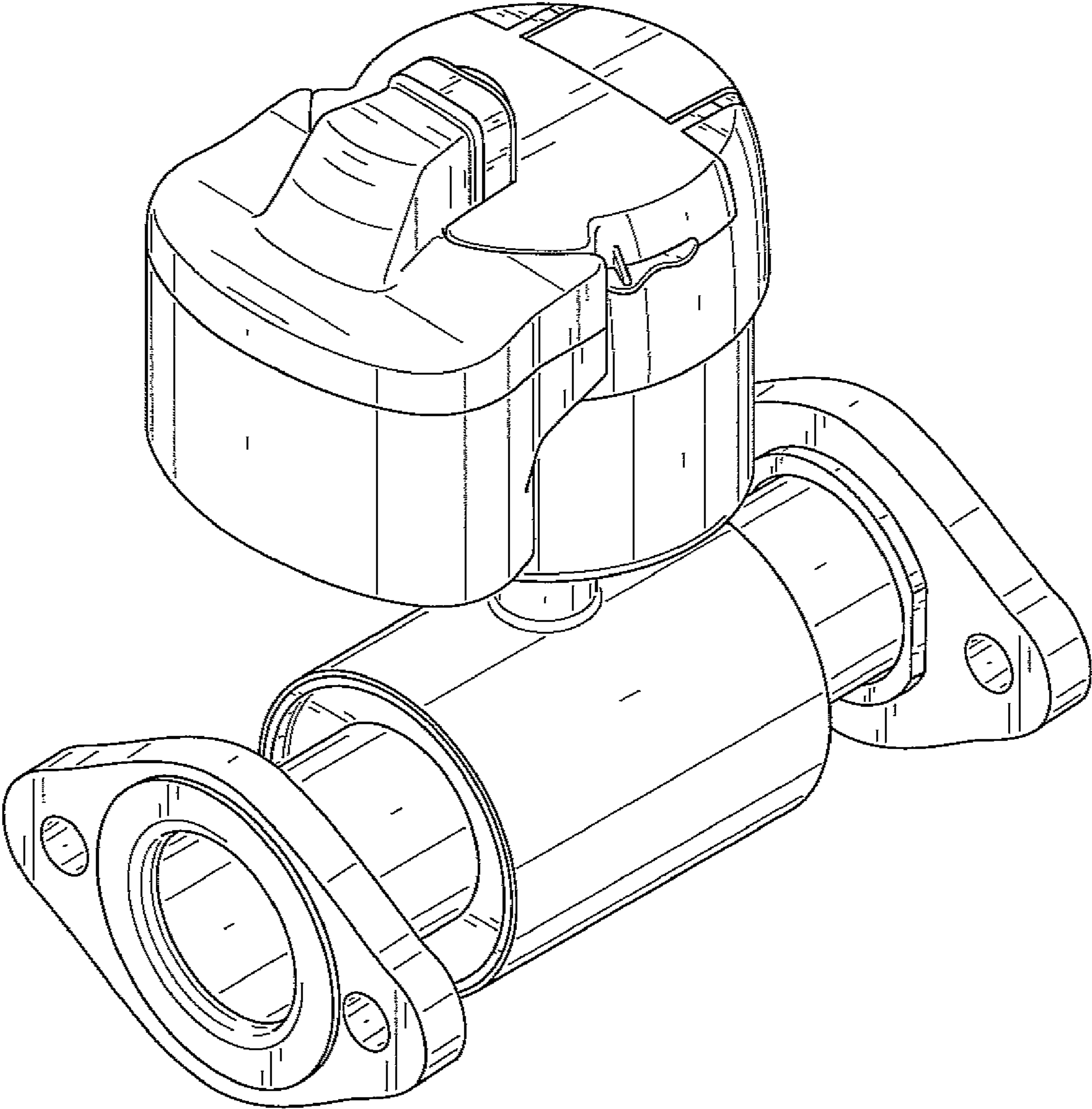


FIG. 1

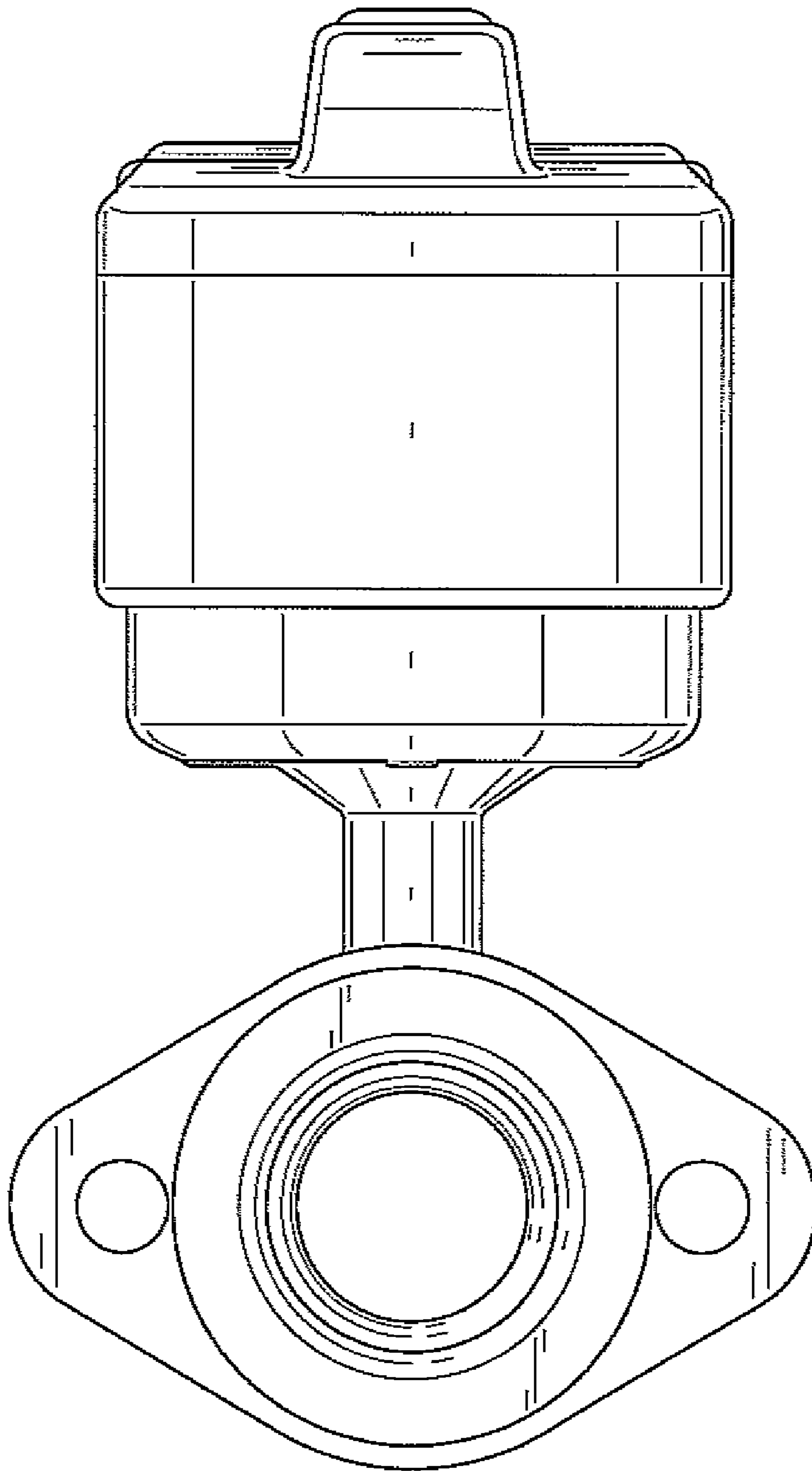


FIG. 2

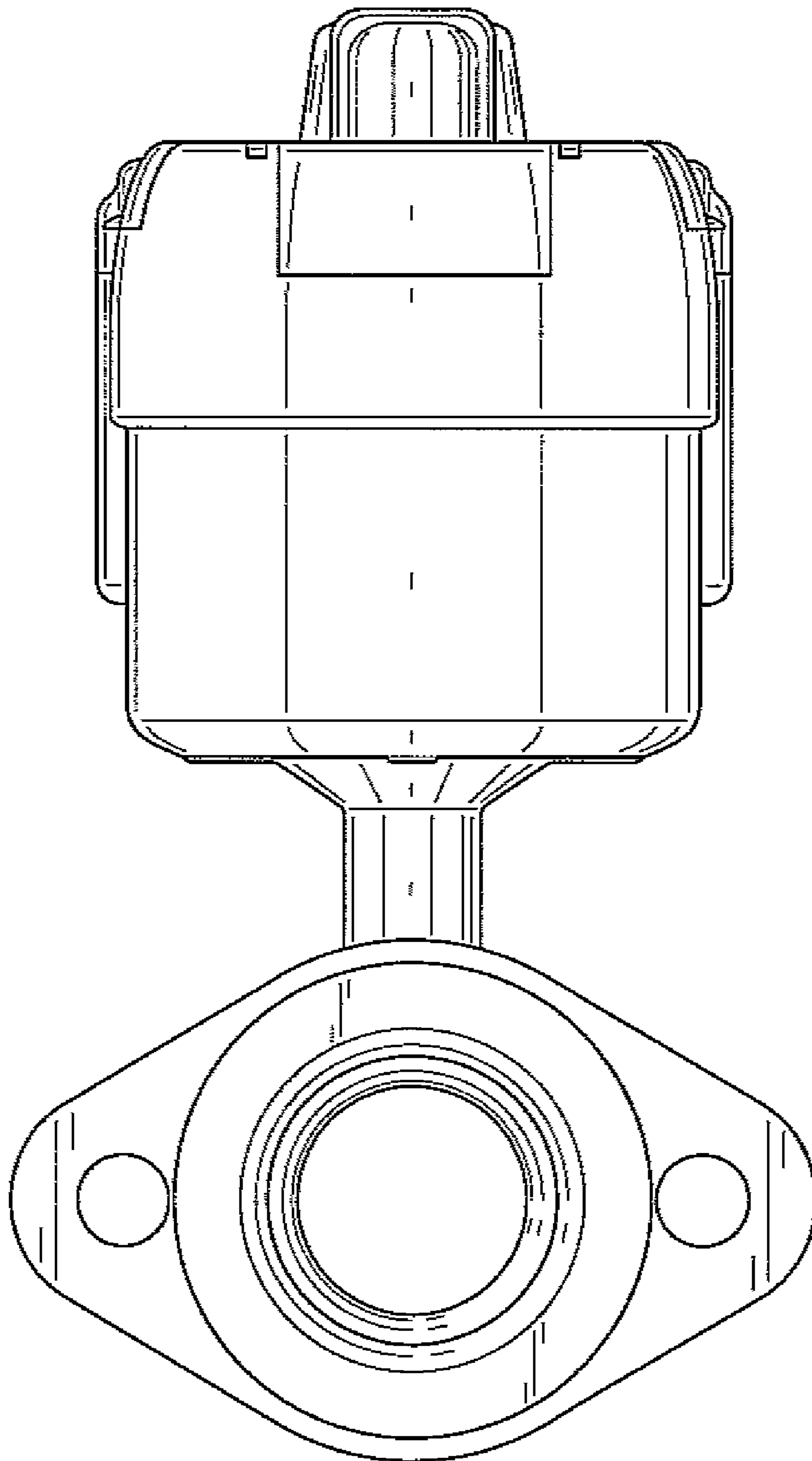


FIG. 3

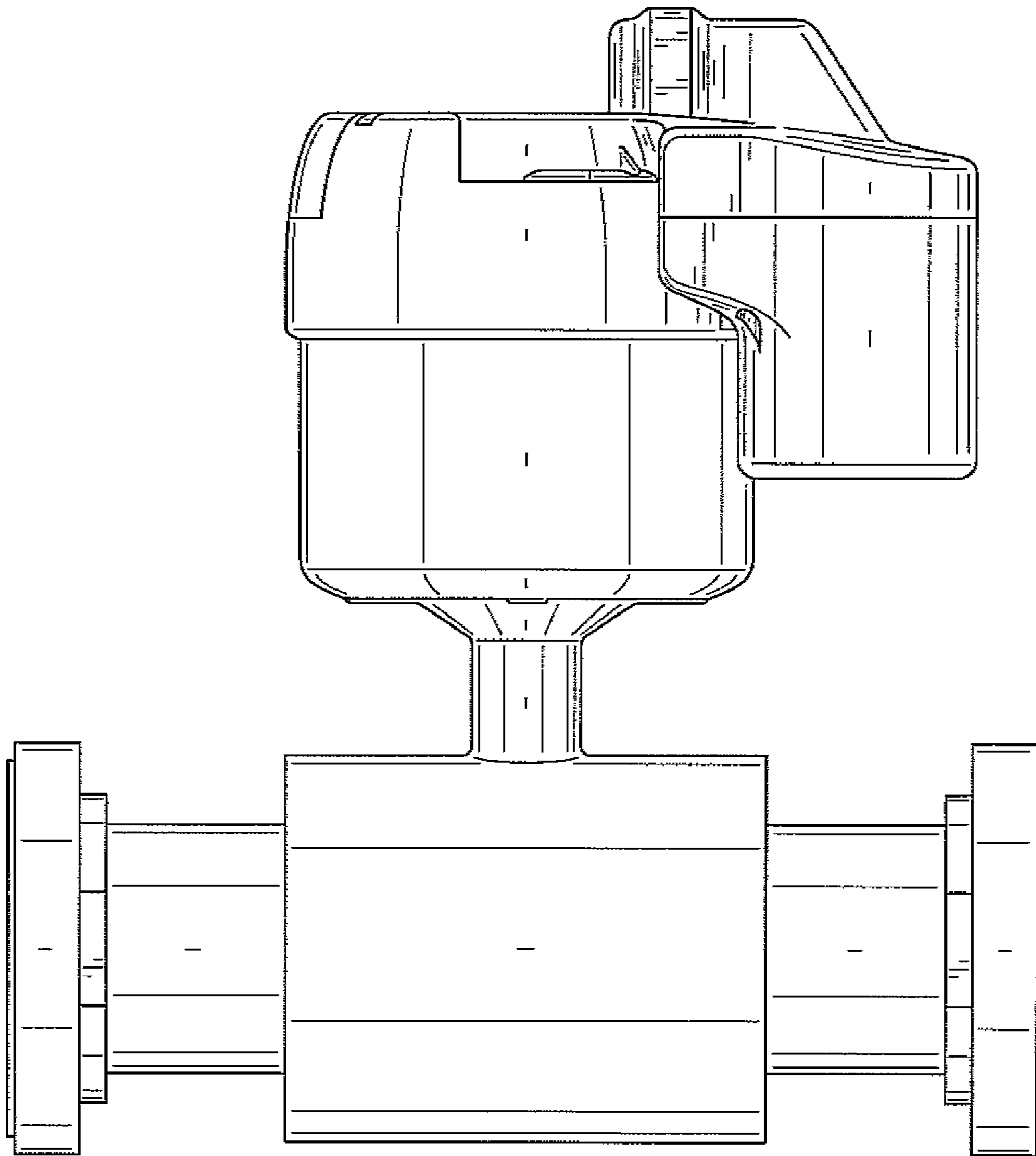


FIG. 4

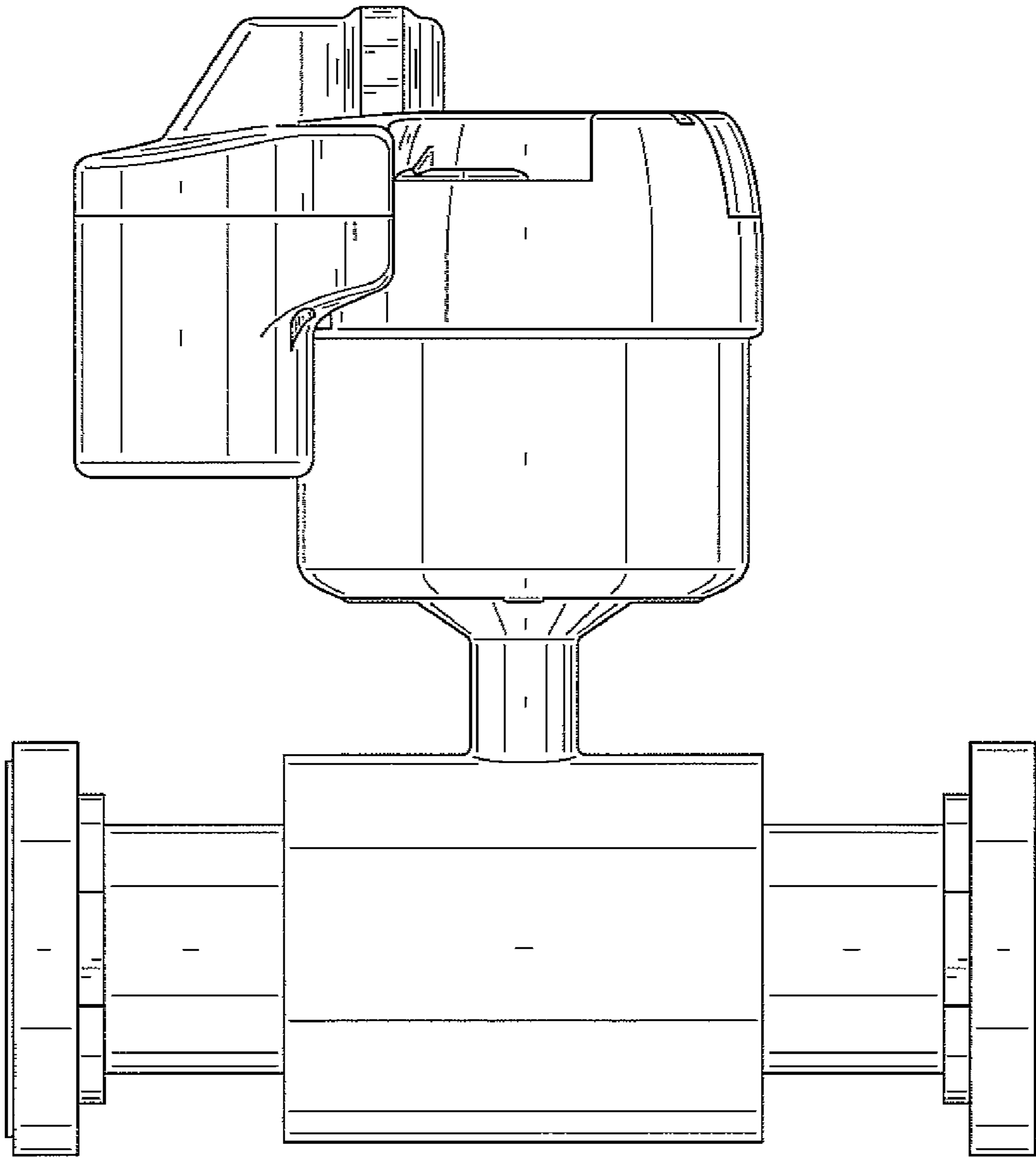


FIG. 5

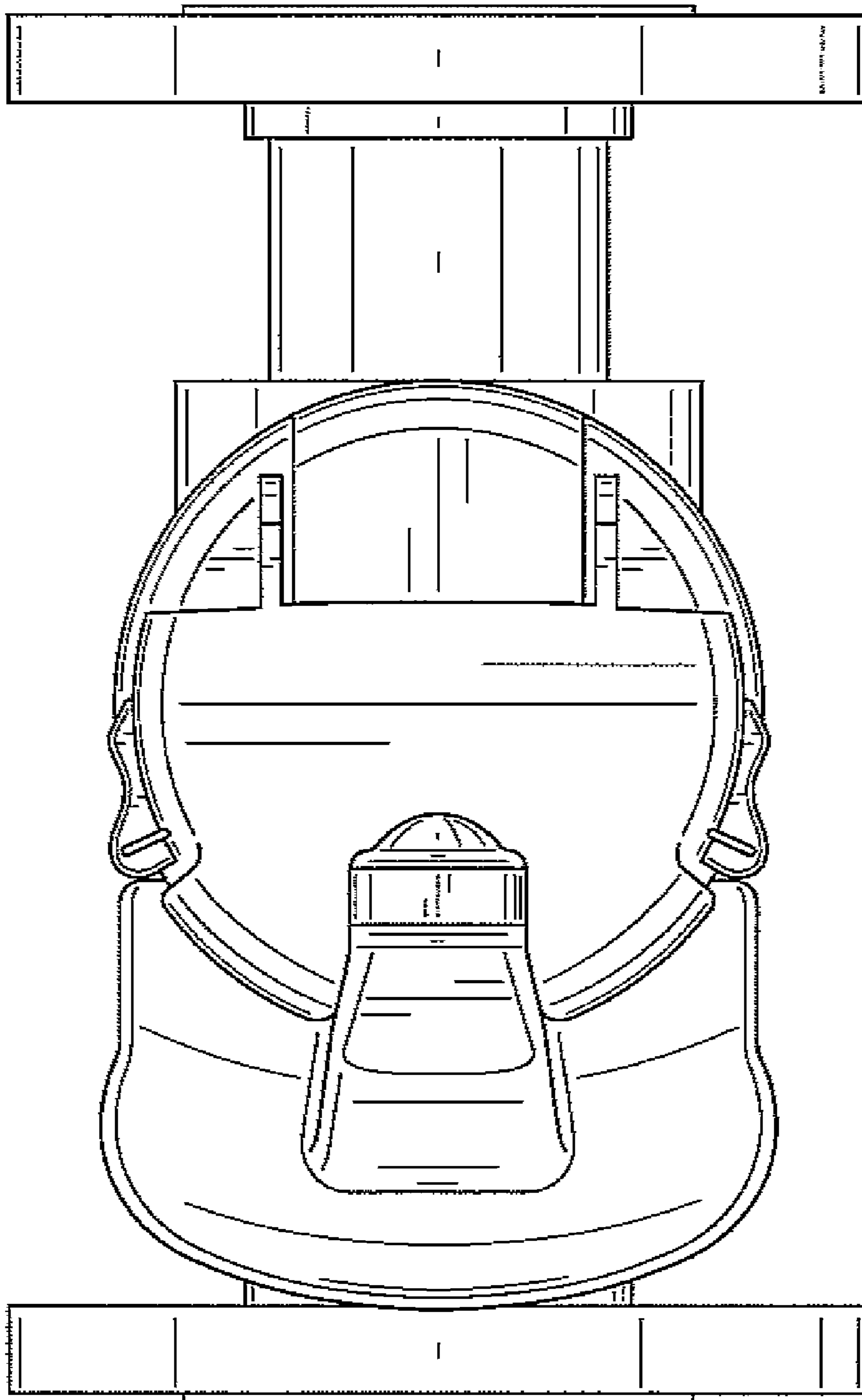


FIG. 6

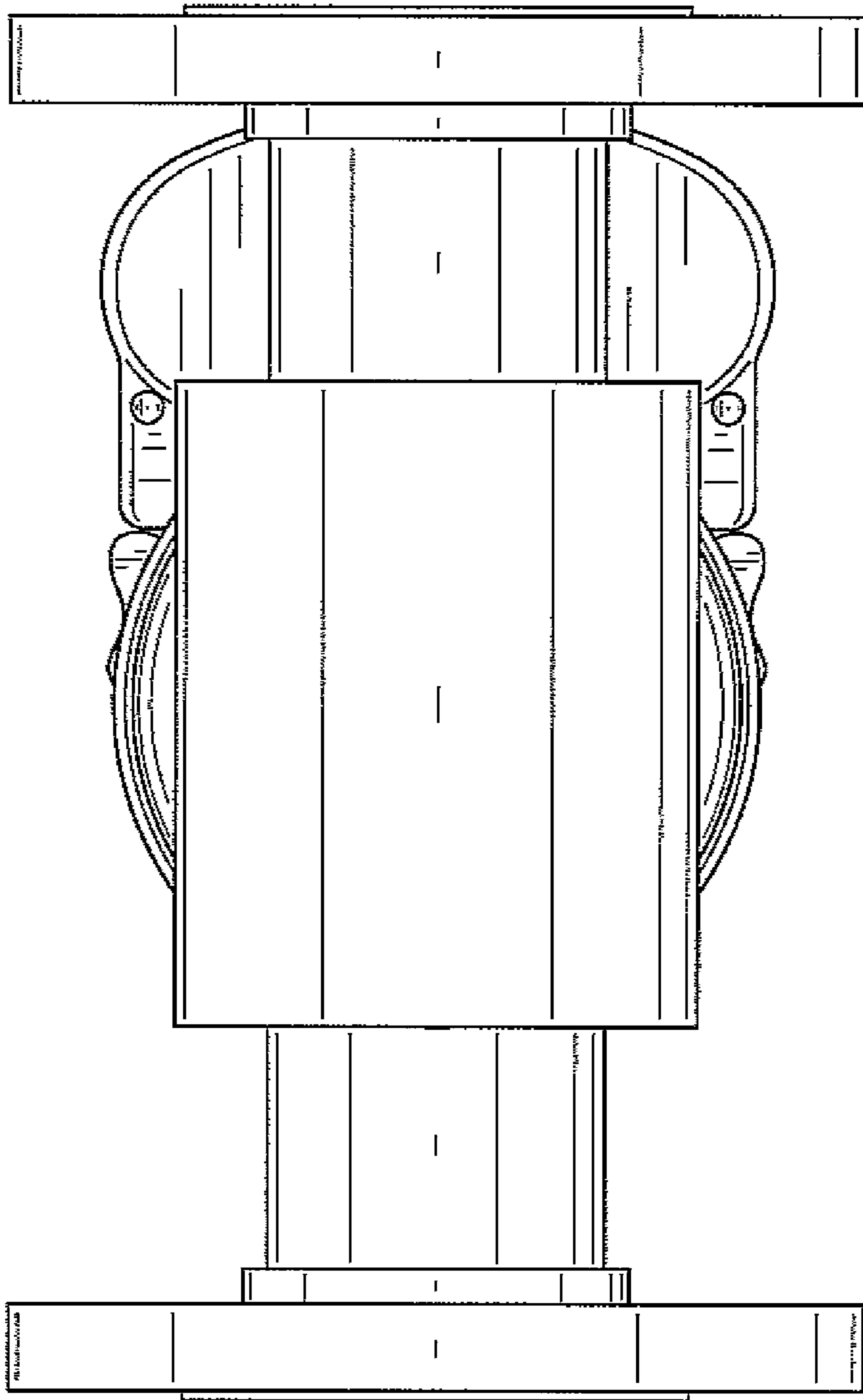


FIG. 7



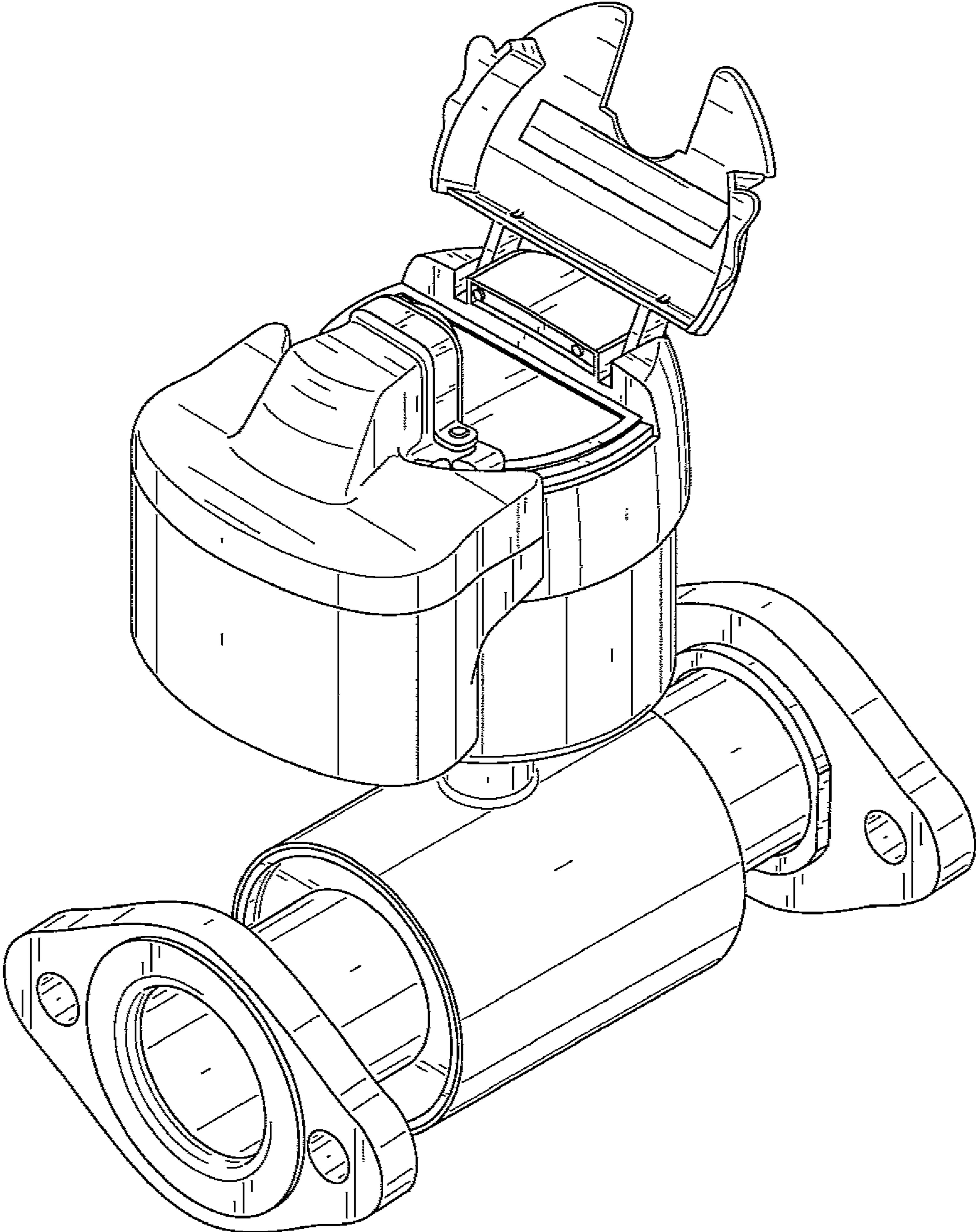


FIG. 8