



US00D675117S

(12) **United States Design Patent**
Diefenderfer

(10) **Patent No.:** **US D675,117 S**
(45) **Date of Patent:** **** Jan. 29, 2013**

(54) **ALIGNMENT LASER AND ALIGNMENT TARGET**

(75) Inventor: **Randall R. Diefenderfer**, Rogersville, MO (US)

(73) Assignee: **Dayco IP Holdings, LLC**, Springfield, MO (US)

(**) Term: **14 Years**

(21) Appl. No.: **29/393,335**

(22) Filed: **Jun. 2, 2011**

(51) **LOC (9) Cl.** **10-04**

(52) **U.S. Cl.** **D10/69**

(58) **Field of Classification Search** D10/69;
33/365, 366.11–366.27, 367–391, 286, 293,
33/295, 412, 645, DIG. 21

See application file for complete search history.

(56) **References Cited**

U.S. PATENT DOCUMENTS

| | | | | | |
|--------------|-----|---------|--------------------|-------|--------|
| 2,659,824 | A * | 11/1953 | Burnham | | 33/286 |
| 4,231,161 | A | 11/1980 | Belfiore | | |
| 4,249,294 | A | 2/1981 | Belfiore | | |
| 5,392,550 | A | 2/1995 | Moore et al. | | |
| D385,807 | S * | 11/1997 | Gruetzmacher | | D10/69 |
| 5,821,852 | A | 10/1998 | Fairchild | | |
| 5,987,762 | A | 11/1999 | Toth et al. | | |
| 6,031,616 | A | 2/2000 | Seiffert | | |
| 6,098,297 | A | 8/2000 | Belfiore | | |
| 6,173,502 | B1 | 1/2001 | Scarborough | | |
| 6,332,276 | B1 | 12/2001 | Mangel | | |
| 6,374,507 | B1 | 4/2002 | Lehto | | |
| 6,434,841 | B1 | 8/2002 | Stahl | | |
| 6,519,866 | B1 | 2/2003 | Gerdes | | |
| 6,568,095 | B2 | 5/2003 | Snyder | | |
| 6,704,115 | B1 | 3/2004 | Hamar | | |
| 6,804,897 | B1 | 10/2004 | Horn | | |
| 6,825,923 | B2 | 11/2004 | Hamar et al. | | |
| 6,889,441 | B2 | 5/2005 | Seiffert | | |
| 6,968,625 | B2 | 11/2005 | Seegerstrom et al. | | |
| 7,467,474 | B1 | 12/2008 | Statham | | |
| 7,845,084 | B2 | 12/2010 | Statham | | |
| 2007/0271800 | A1 | 11/2007 | Hersey et al. | | |
| 2008/0276473 | A1 | 11/2008 | Raschella et al. | | |

OTHER PUBLICATIONS

PCT, International Search Report and Written Opinion, International Application No. PCT/US2010/052455 (Dec. 8, 2010).
US, Office Action, U.S. Appl. No. 12/604,037 (Nov. 2, 2010).
US, Office Action, U.S. Appl. No. 12/604,037 (Mar. 8, 2011).
US, Notice of Allowance, U.S. Appl. No. 12/604,037 (Apr. 30, 2012).
US, Office Action, U.S. Appl. No. 12/604,037 (Jan. 12, 2012).
US, Advisory Action, U.S. Appl. No. 12/604,037 (Mar. 20, 2012).
US, Office Action, U.S. Appl. No. 12/604,037 (Sep. 21, 2011).

* cited by examiner

Primary Examiner — Antoine D Davis

(74) *Attorney, Agent, or Firm* — Thompson Hine LLP

(57) **CLAIM**

The ornamental design for an alignment laser and an alignment target, as shown and described.

DESCRIPTION

FIG. 1 is a left-side elevational view of a first embodiment of the alignment laser; the right-side elevational view being identical thereto;

FIG. 2 is a left-side elevational view of a first embodiment of the alignment target; the right-side elevational view being identical thereto;

FIG. 3 is a left-side elevational view of both a first embodiment of the alignment laser and a first embodiment of the alignment target; the right side elevational view being identical thereto, respectively;

FIG. 4 is a left-side elevational view of a second embodiment of the alignment laser and a second embodiment of the alignment target both including the word DAYCO on the top surface thereof;

FIG. 5 is a front view of a second embodiment of the alignment laser;

FIG. 6 is a rear view of a second embodiment of the alignment laser;

FIG. 7 is a top view of a second embodiment of the alignment laser including the word DAYCO on the top surface thereof;

FIG. 8 is a bottom view of a second embodiment of the alignment laser;

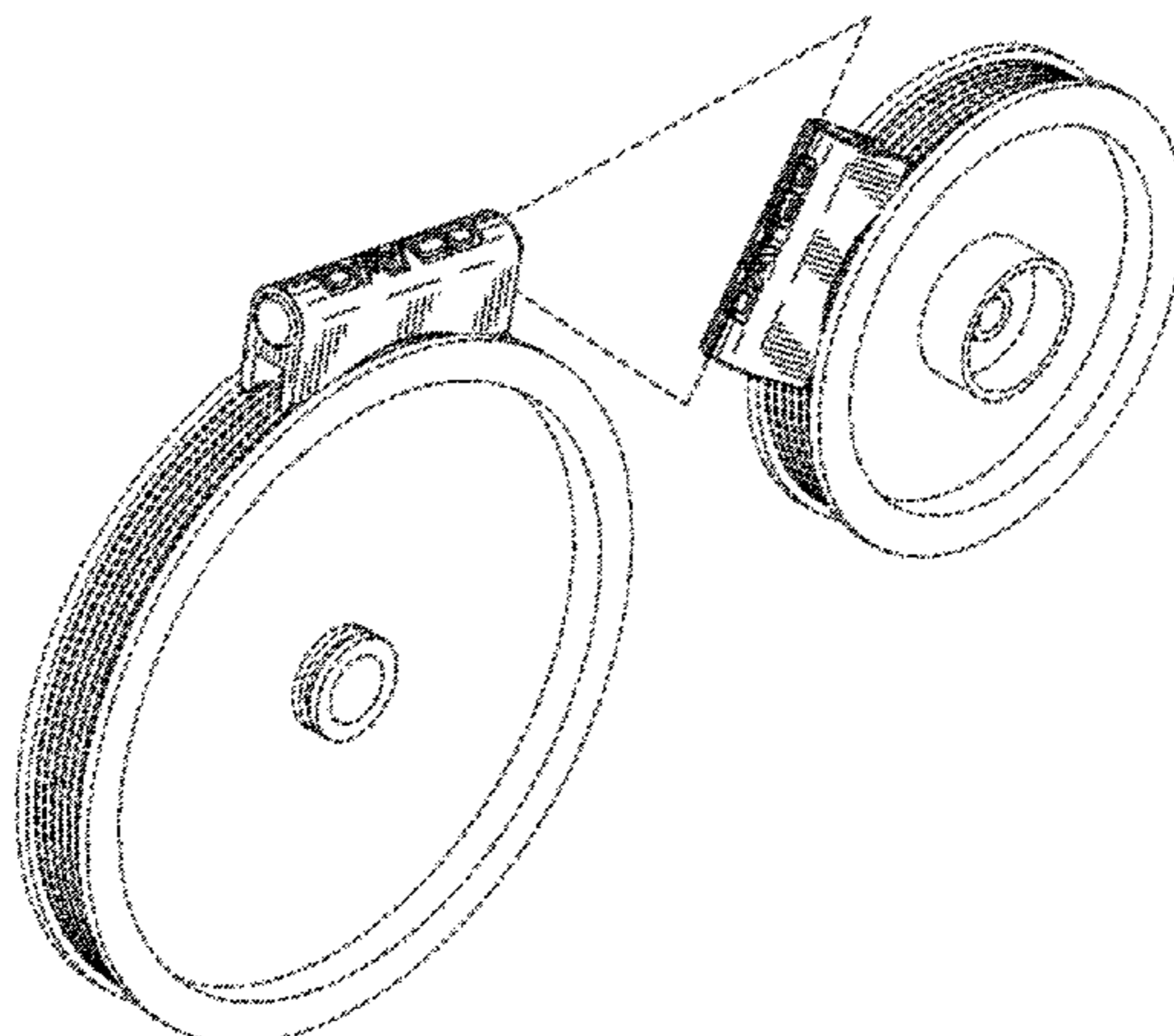


FIG. 9 is a front view of a second embodiment of the alignment target having an off-center recess in the top arcuate surface; the rear view being a mirror image thereof;

FIG. 10 is a front view of a second embodiment of the alignment target having a centered recess in the top arcuate surface; the rear view being identical thereto;

FIG. 11 is a top view of a second embodiment of the alignment target including the word DAYCO on the top surface thereof;

FIG. 12 is a bottom view of a second embodiment of the alignment target; and,

FIG. 13 is a side elevational view of a second embodiment of the alignment laser and a second embodiment of the alignment target positioned in cooperating operating positions on separate pulleys.

When broken lines are present in a figure, including those forming text, that portion of the figure is present for illustrative purposes only and forms no part of the claimed design. Certain unclaimed portions of the design may contain a registered trademark or other indicia.

The DAYCO logo is a registered trademark of Dayco Products, LLC.

1 Claim, 6 Drawing Sheets

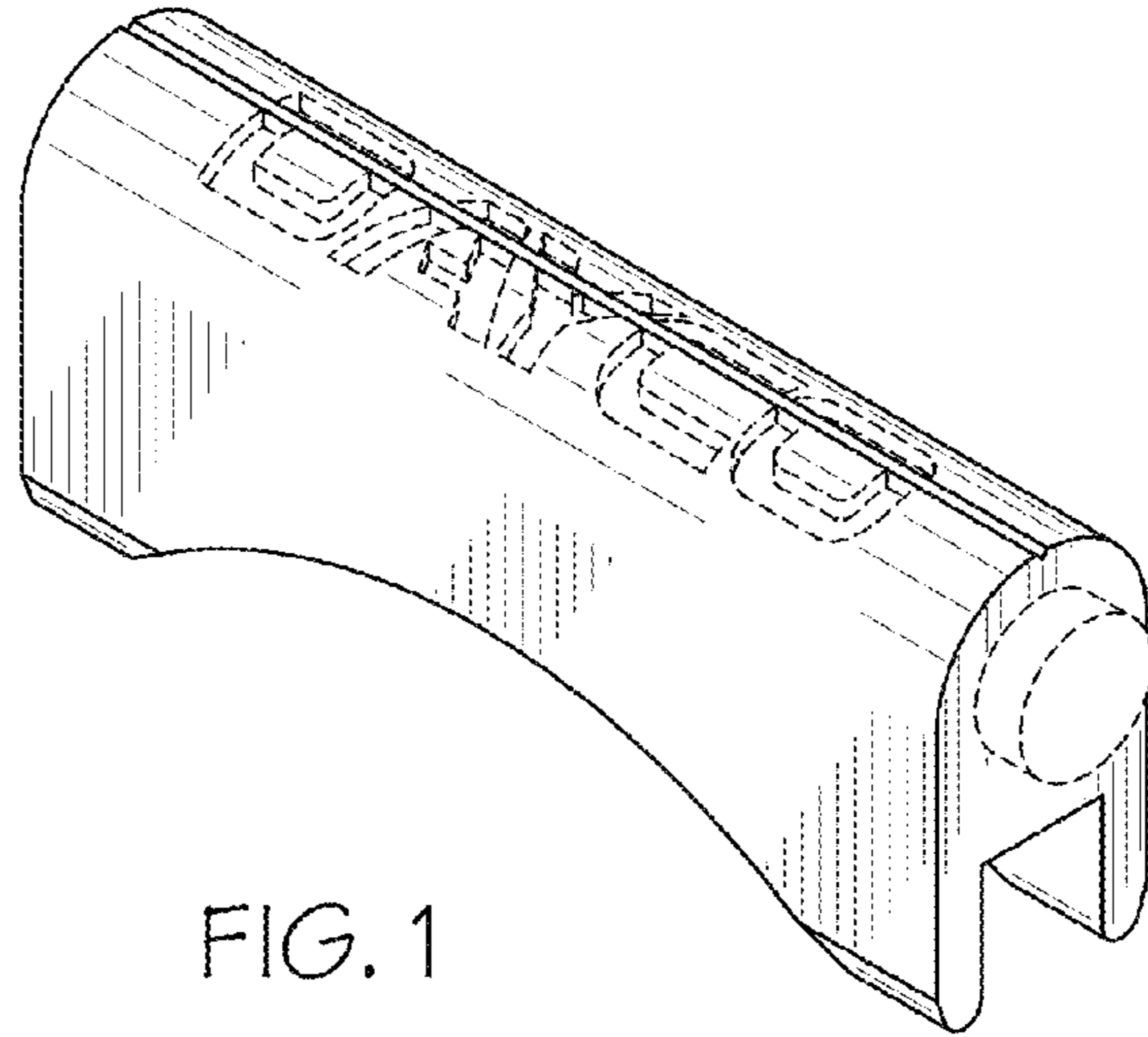


FIG. 1

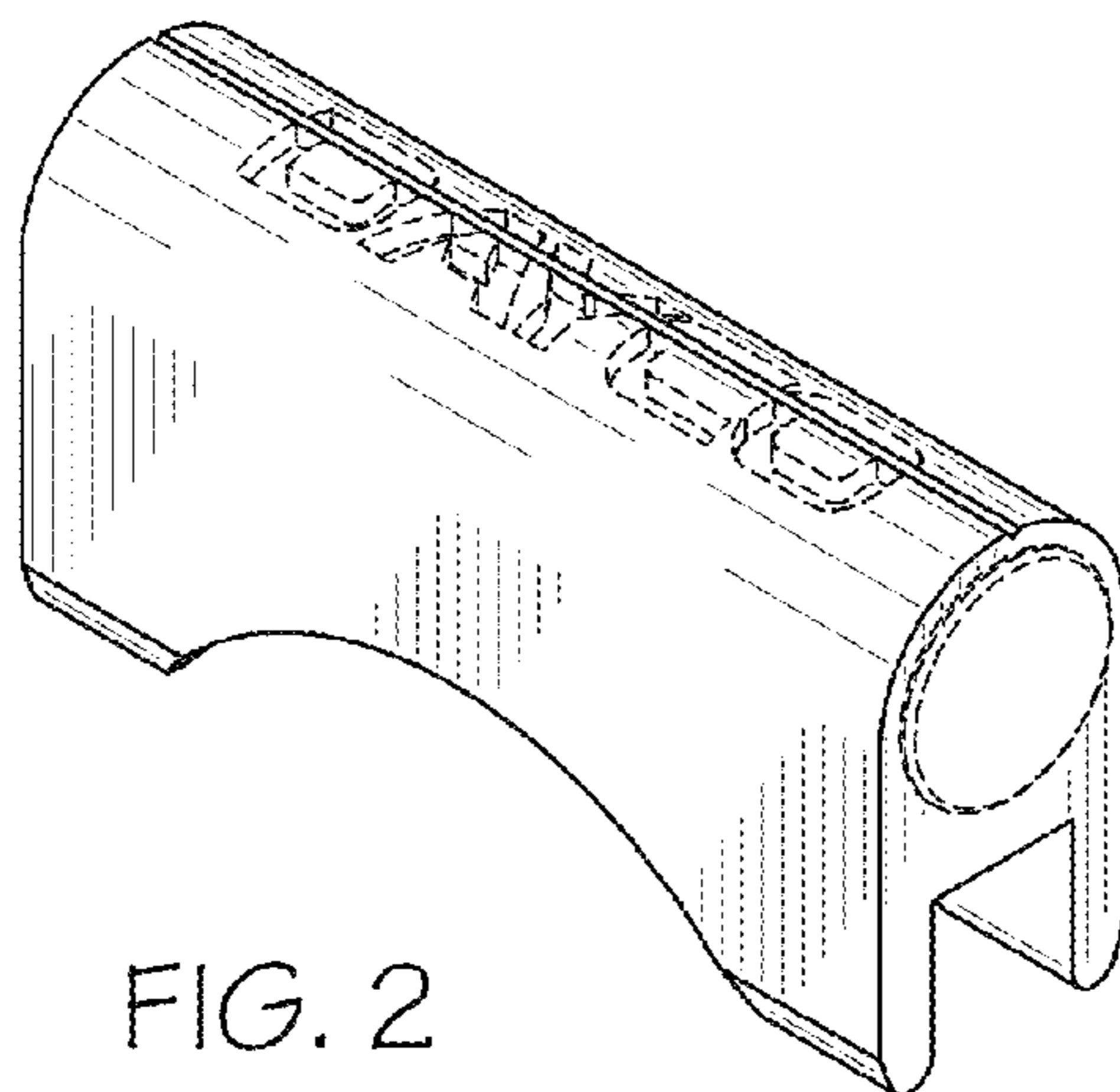


FIG. 2

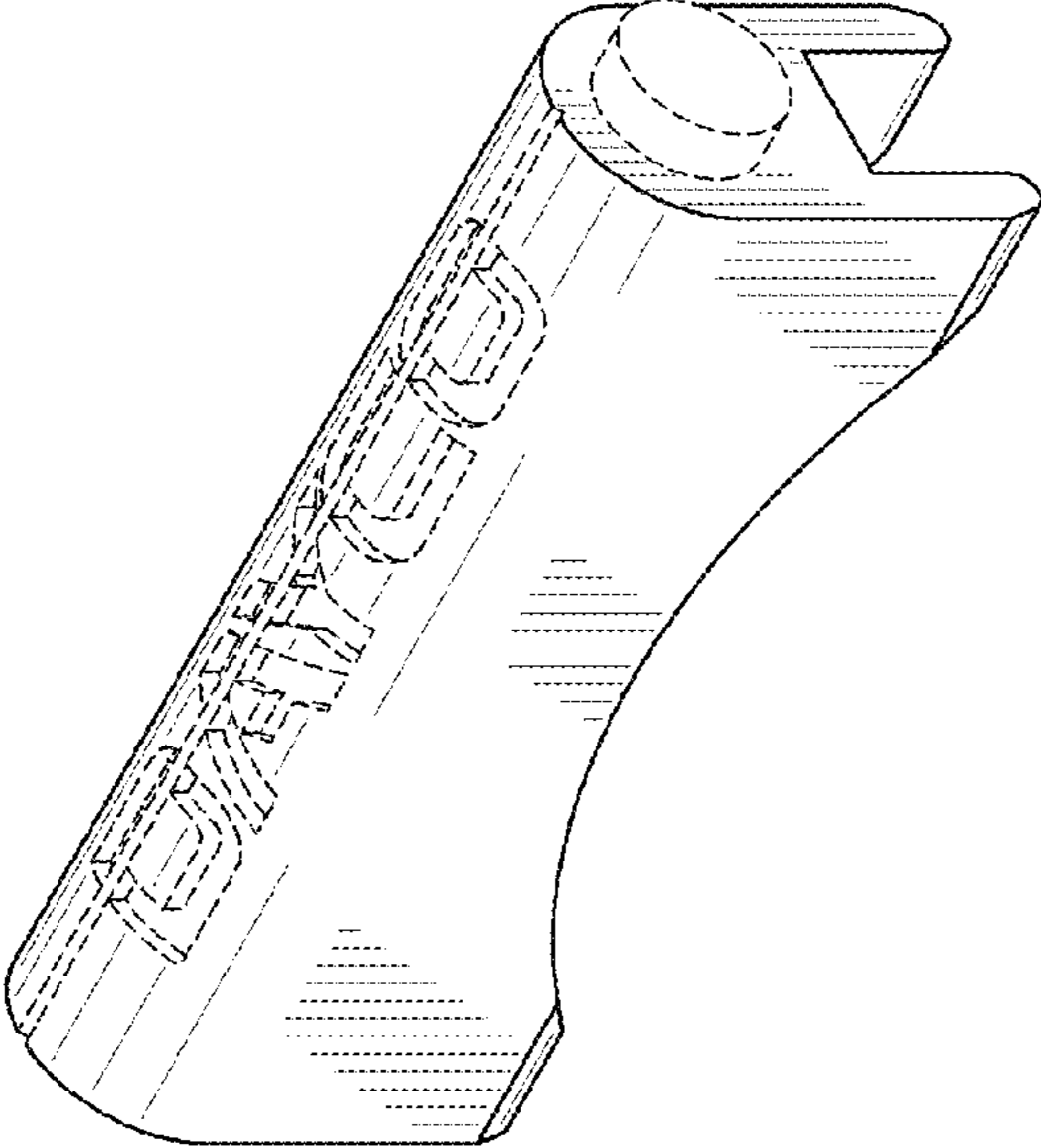
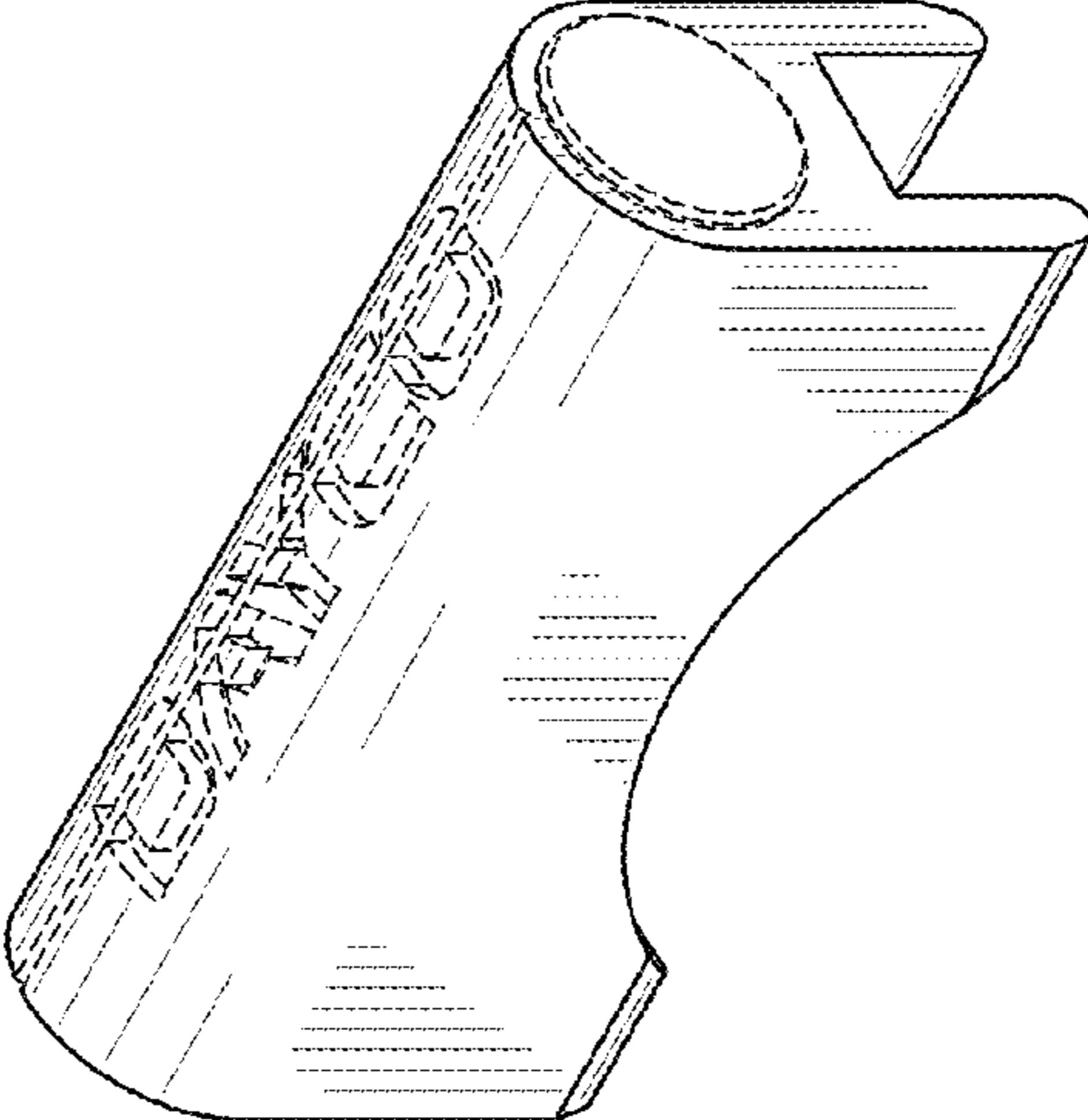


FIG. 3

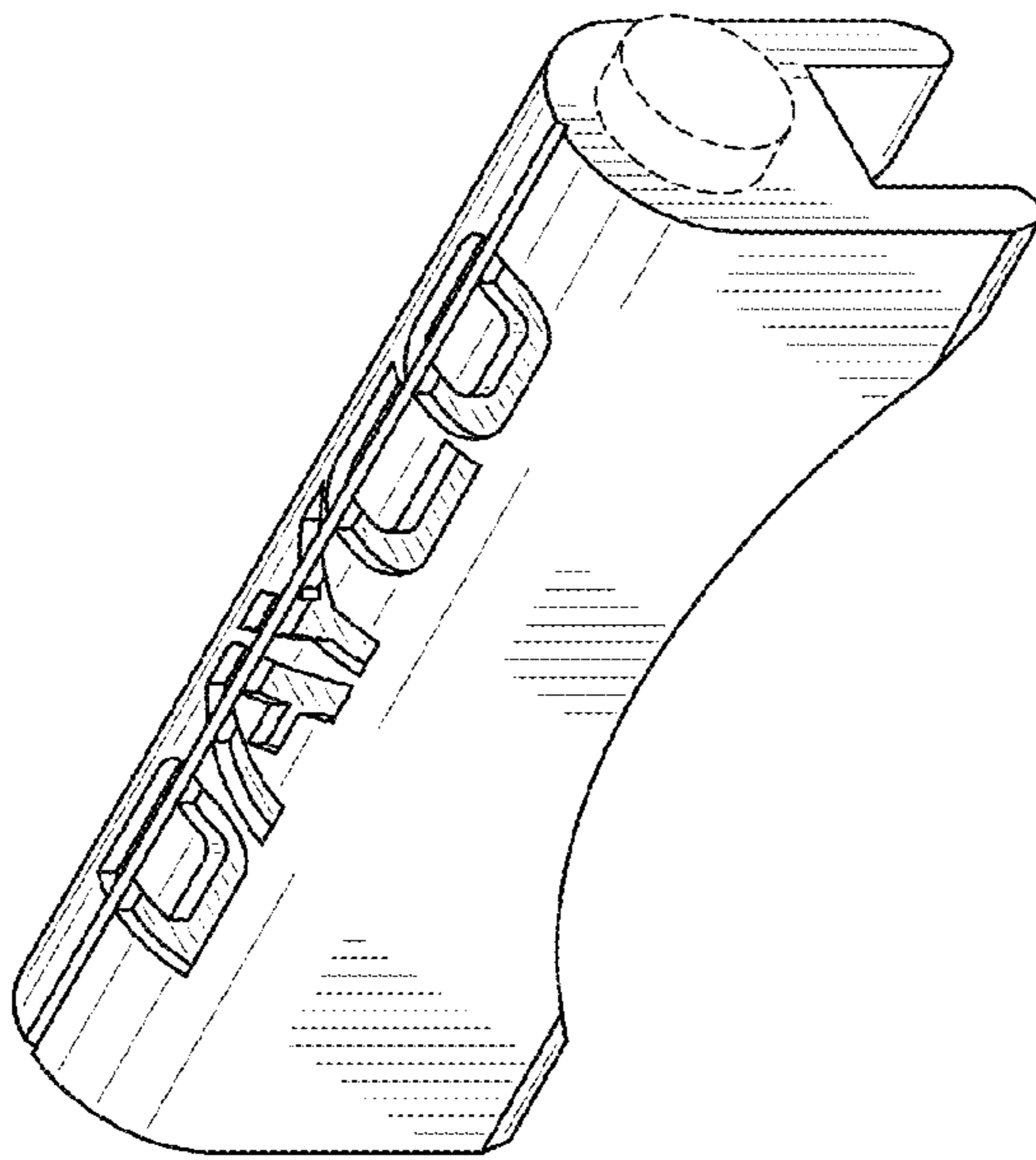
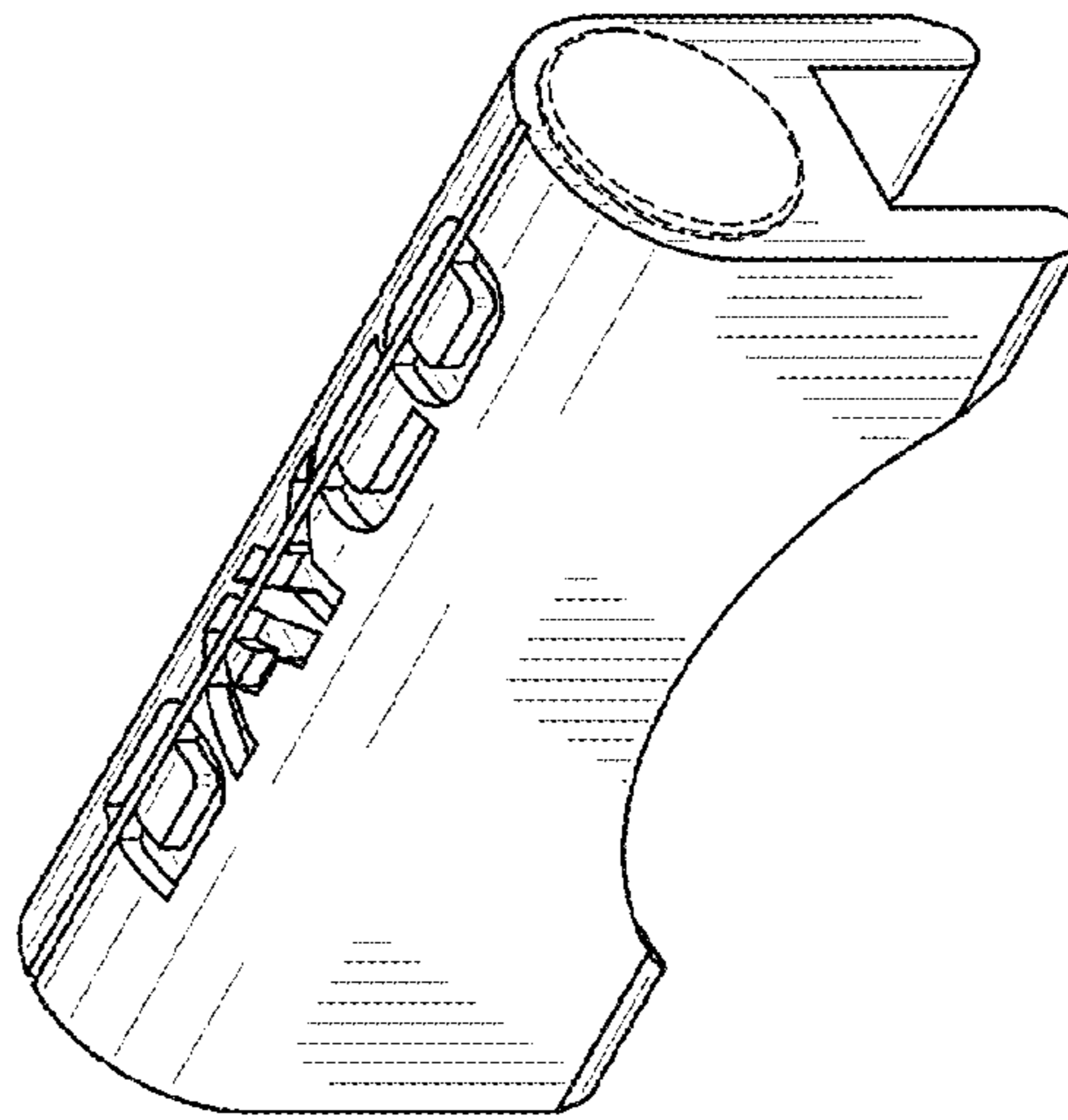


FIG. 4

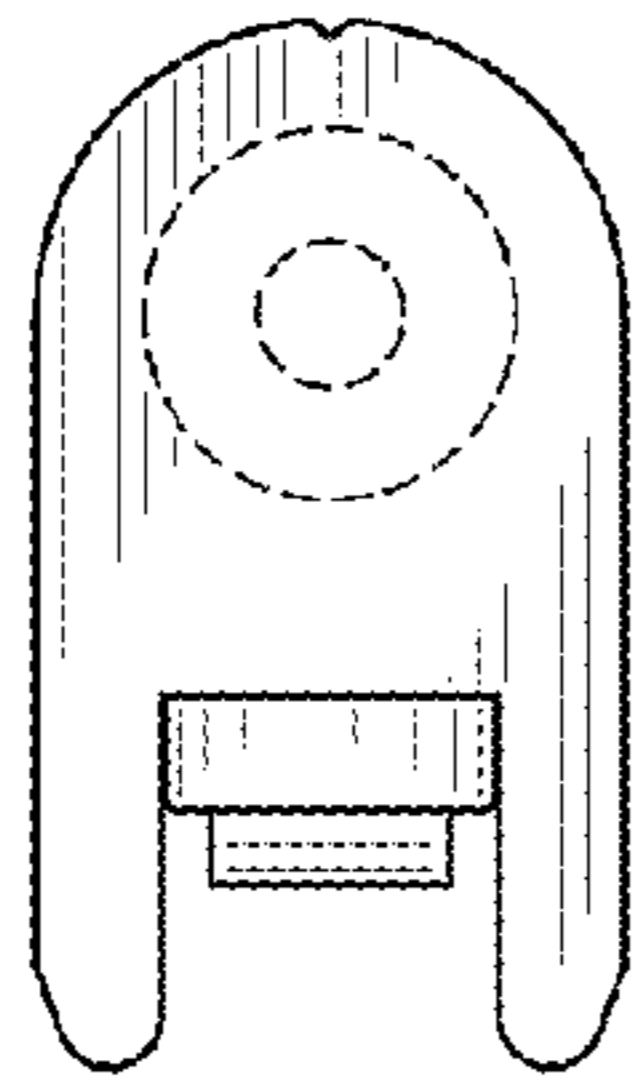


FIG. 5

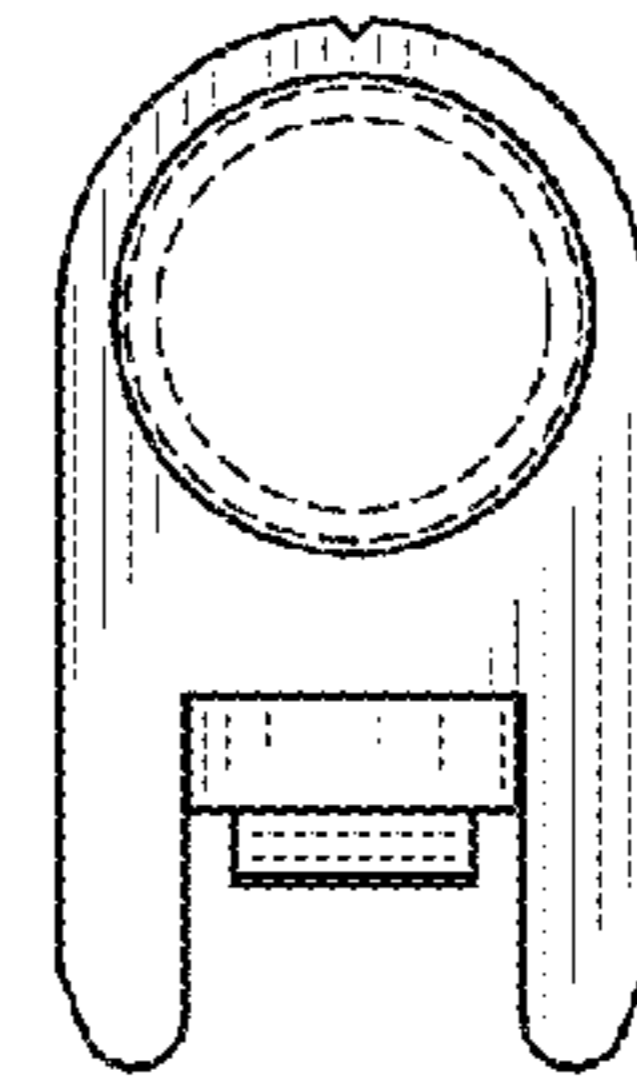


FIG. 6

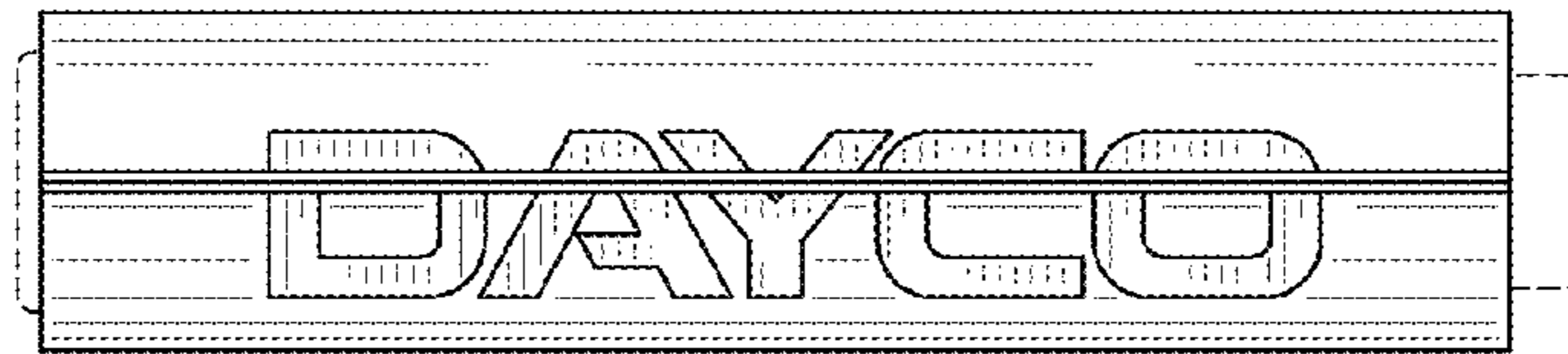


FIG. 7

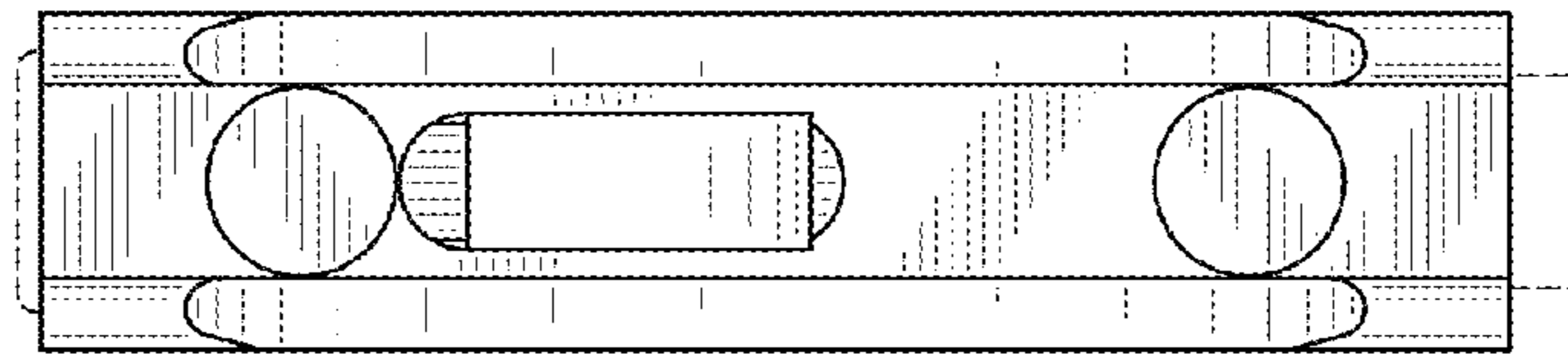


FIG. 8

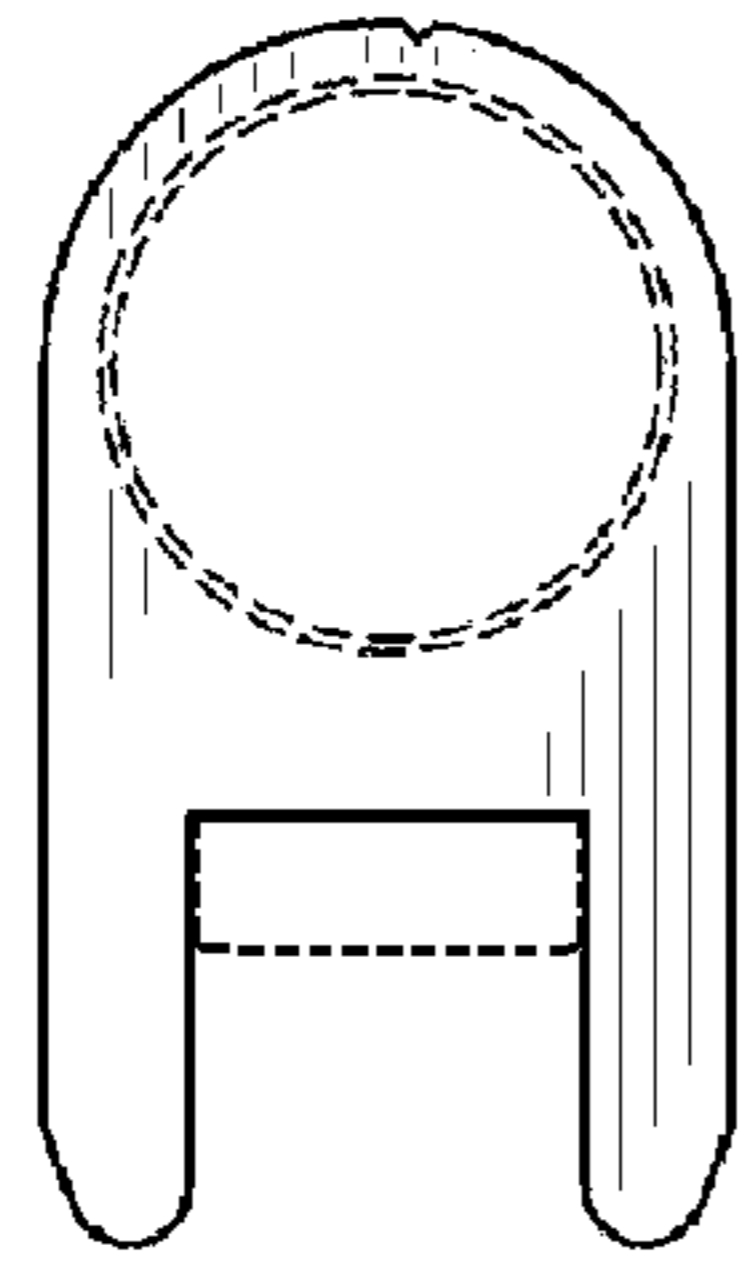


FIG. 9

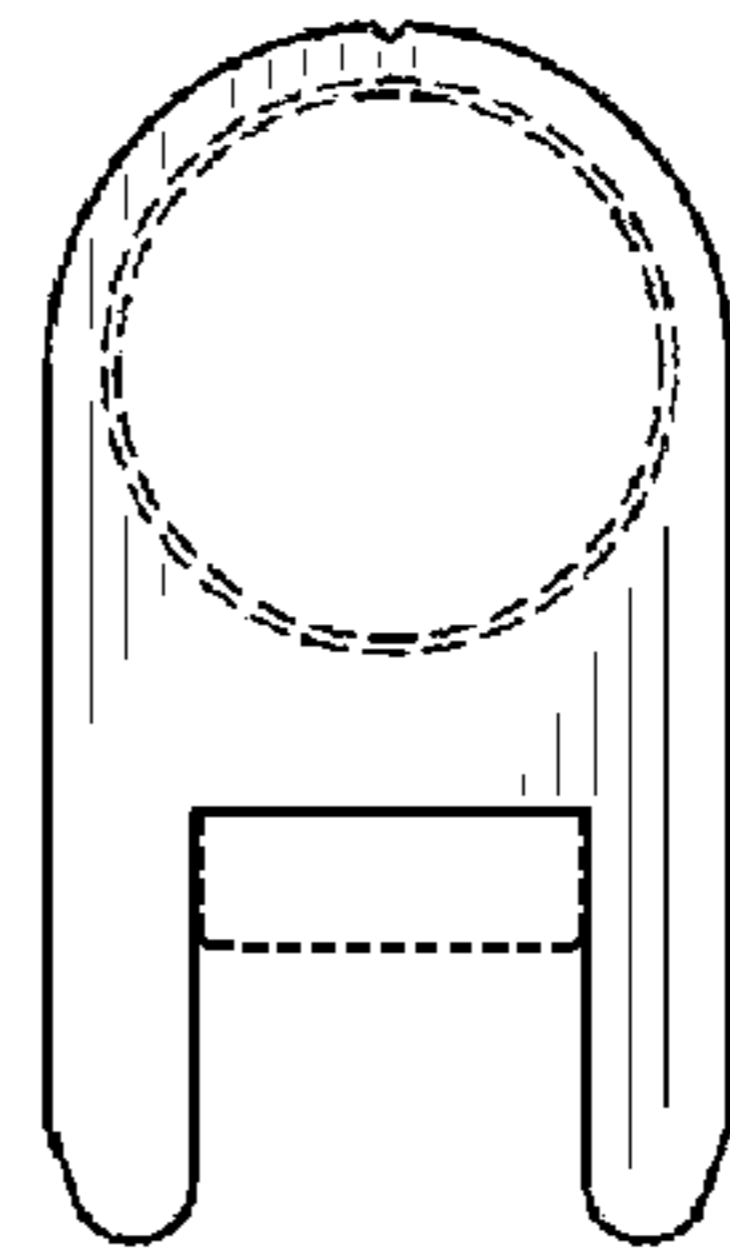


FIG. 10

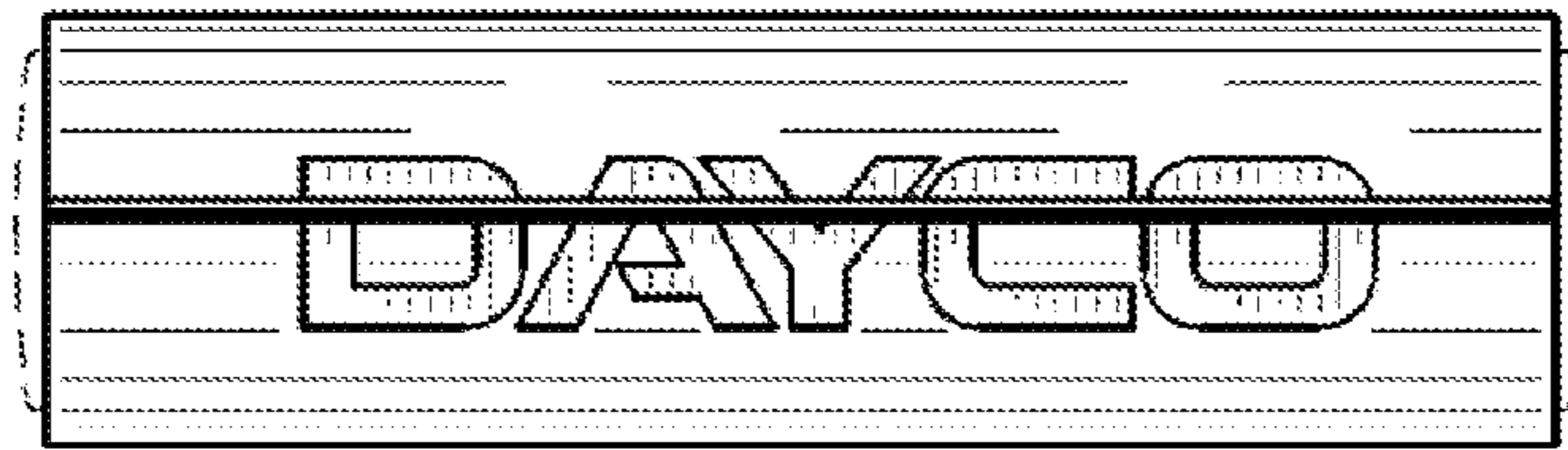


FIG. 11

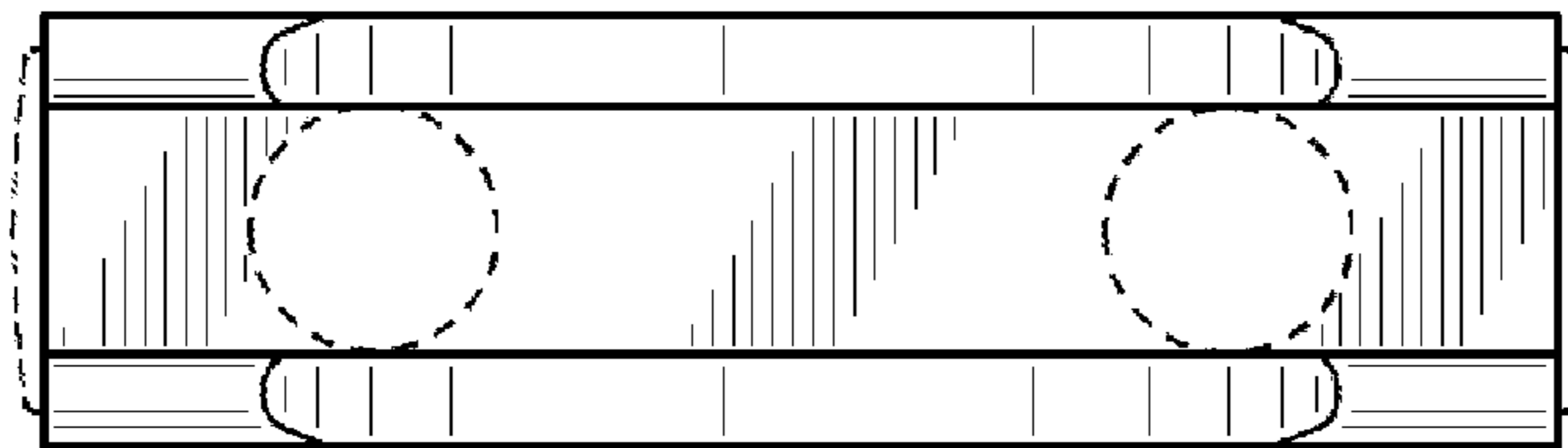


FIG. 12

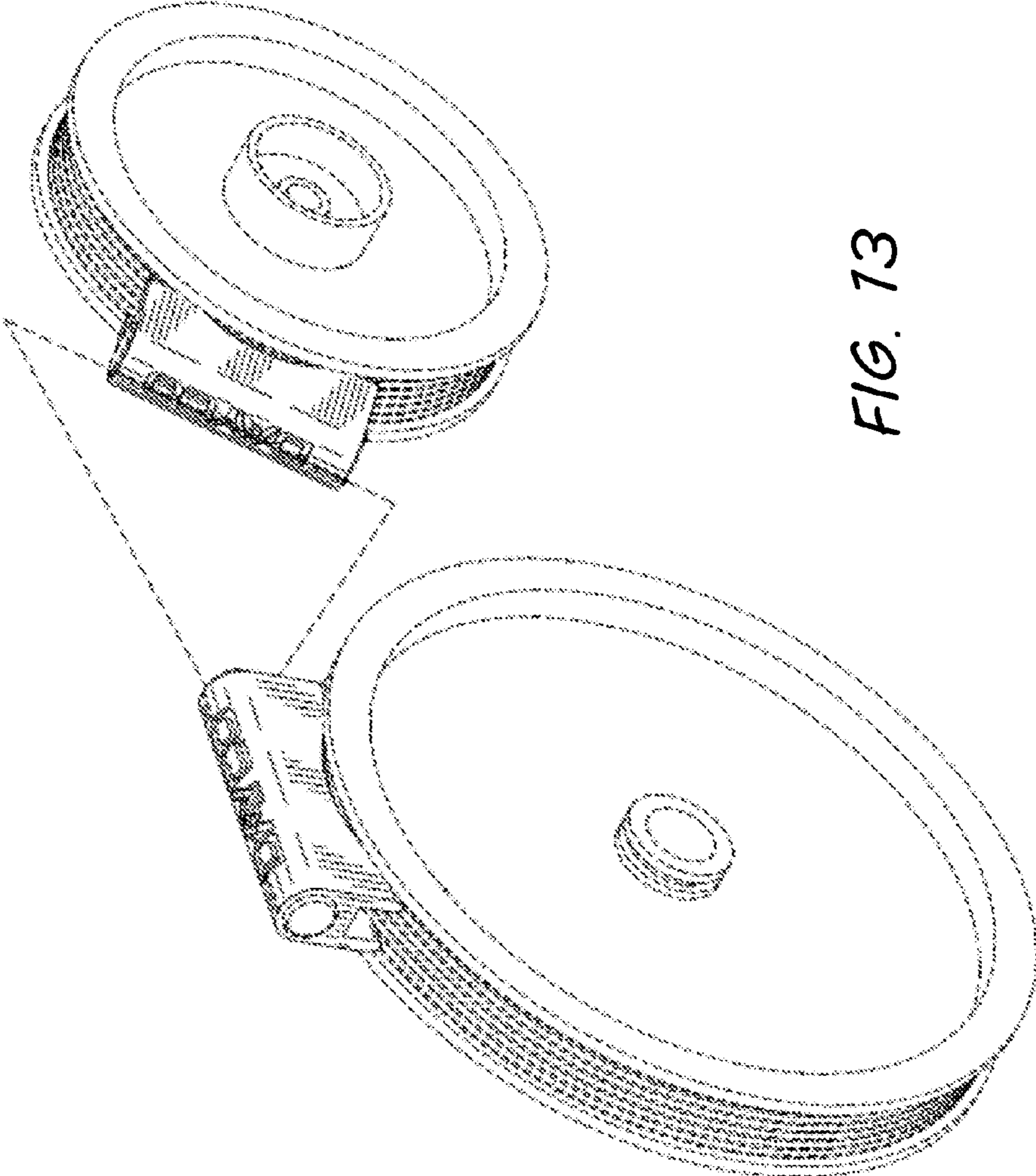


FIG. 13