



US00D675111S

(12) **United States Design Patent**
Yurman

(10) **Patent No.:** **US D675,111 S**
(45) **Date of Patent:** **** Jan. 29, 2013**

(54) **WRISTWATCH**

(75) Inventor: **David Yurman**, New York, NY (US)

(73) Assignee: **David Yurman SA**, La Chaux-de-Fonds (CH)

(**) Term: **14 Years**

(21) Appl. No.: **29/324,966**

(22) Filed: **Sep. 24, 2008**

(51) **LOC (9) Cl.** **10-02**

(52) **U.S. Cl.** **D10/32**

(58) **Field of Classification Search** D10/30-39;
D11/3, 4; 368/276, 281, 282, 285
See application file for complete search history.

(56) **References Cited**

U.S. PATENT DOCUMENTS

2,189,096	A	*	2/1940	Alonge	224/170
2,926,825	A	*	3/1960	Wing	224/164
D195,421	S	*	6/1963	Huguenin	D10/39
D295,387	S	*	4/1988	Kumagai	D10/39
D314,154	S	*	1/1991	Dumas	D10/39
D327,021	S	*	6/1992	Burgener	D10/32
5,226,023	A	*	7/1993	Grimm	368/223
D386,420	S	*	11/1997	Kennedy	D10/30
D386,421	S	*	11/1997	Kennedy	D10/30
D387,289	S	*	12/1997	Houlihan	D10/30
D396,651	S	*	8/1998	Wunderman	D10/32
D430,495	S	*	9/2000	Wunderman	D10/32
D441,305	S	*	5/2001	Modolo	D10/32
D446,461	S	*	8/2001	Wunderman	D10/32
D459,241	S	*	6/2002	Bodino	D10/32
D471,115	S	*	3/2003	Buechner	D10/39

D473,471	S	*	4/2003	Rufenacht	D10/32
D484,423	S	*	12/2003	Takahashi	D10/32
D496,591	S	*	9/2004	Yurman	D10/32
6,857,775	B1	*	2/2005	Wilson	368/281
D505,342	S	*	5/2005	Hayek	D10/39
D527,284	S	*	8/2006	Buccellati	D10/38
D529,834	S	*	10/2006	Yurman	D11/3
D541,676	S	*	5/2007	Liao	D10/38
D554,002	S	*	10/2007	Journe	D10/31
D558,613	S	*	1/2008	Wei	D10/38
D570,231	S	*	6/2008	Actis-Datta	D10/38
D632,980	S	*	2/2011	Yurman	D10/38
D633,812	S	*	3/2011	Yurman	D10/32

* cited by examiner

Primary Examiner — Lucy Lieberman

(74) *Attorney, Agent, or Firm* — McCarter & English, LLP

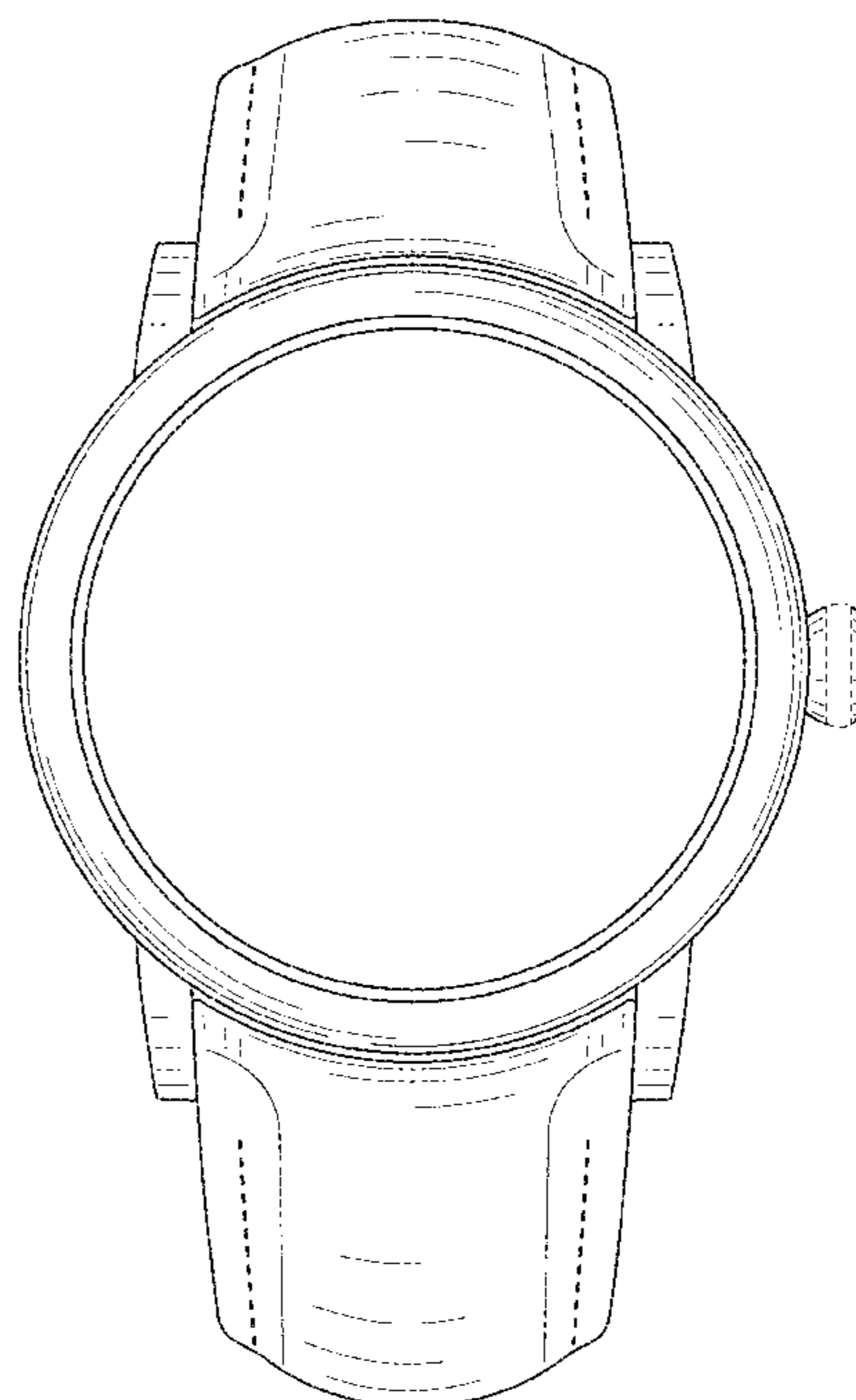
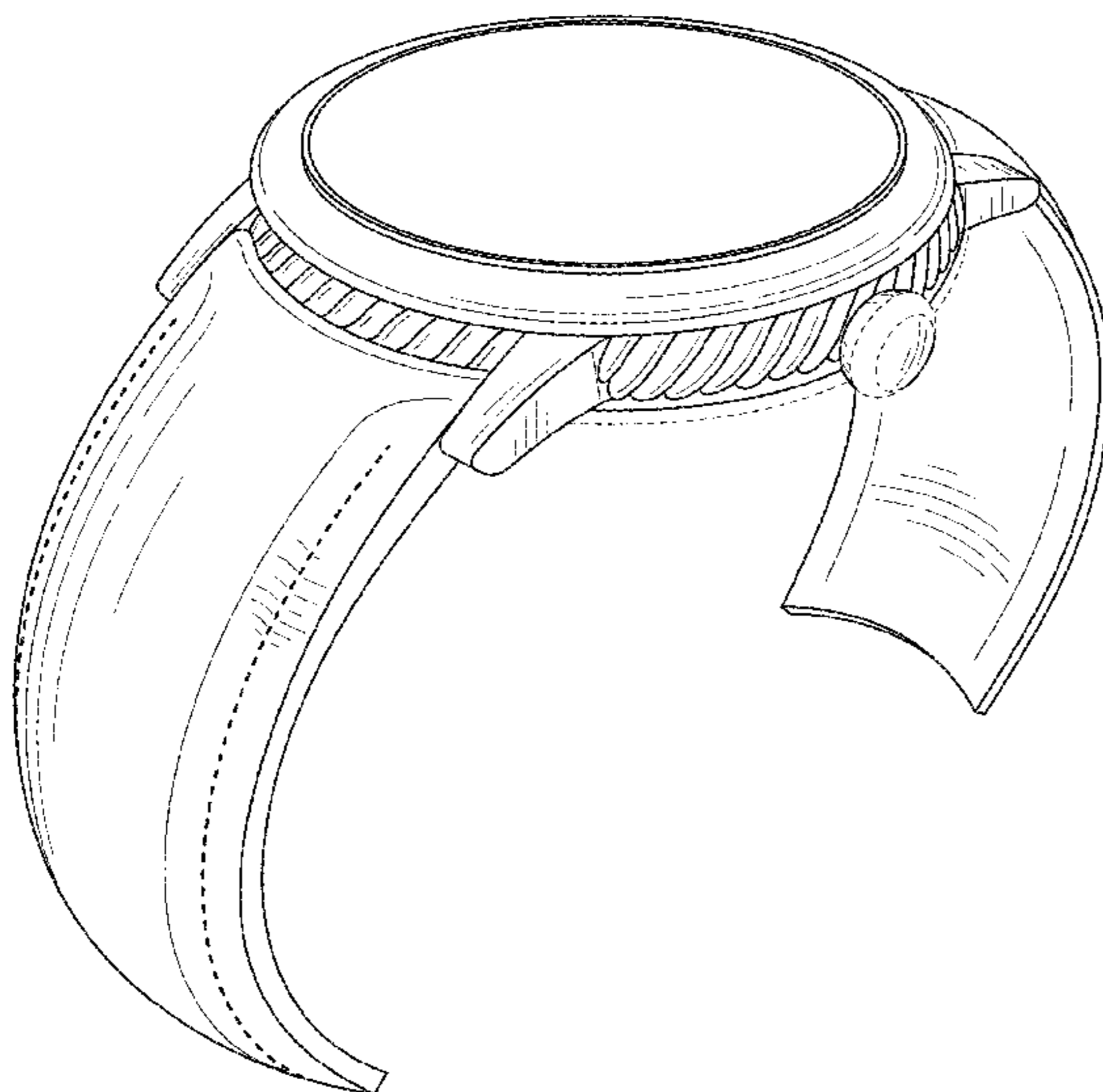
(57) **CLAIM**

The ornamental design for a wristwatch, as shown and described.

DESCRIPTION

FIG. 1 is a perspective view of a wristwatch showing my new design;
FIG. 2 shows a top plan view thereof;
FIG. 3 shows a front elevational view thereof;
FIG. 4 shows a rear elevational view thereof;
FIG. 5 shows a left side elevational view thereof; and,
FIG. 6 shows a right side elevational view thereof.
The broken lines on the watch band indicate stitching, and form part of the claimed design. However, the other broken lines are used for environmental purposes only and form no part of the claimed design.

1 Claim, 6 Drawing Sheets



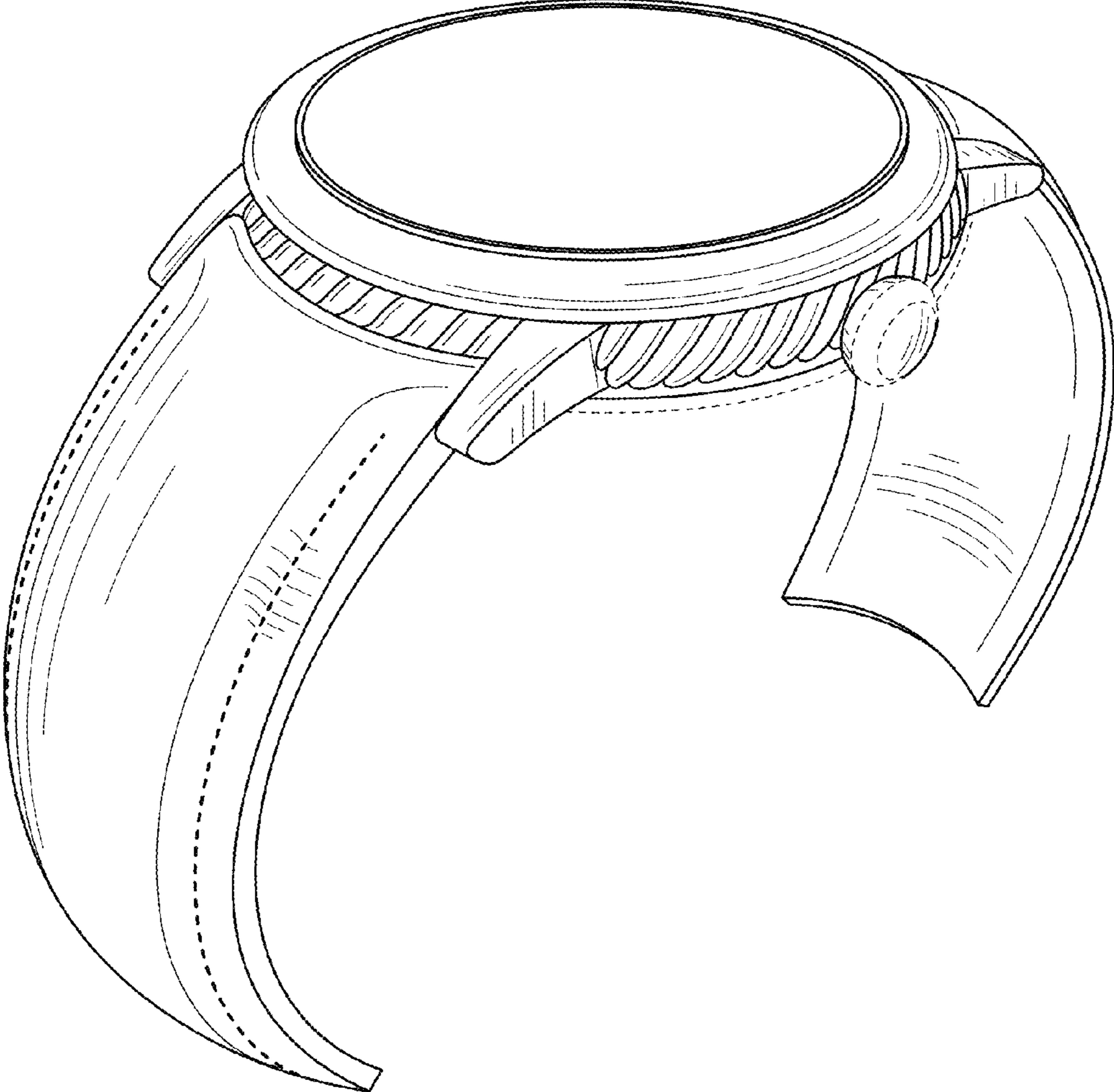


FIG. 1

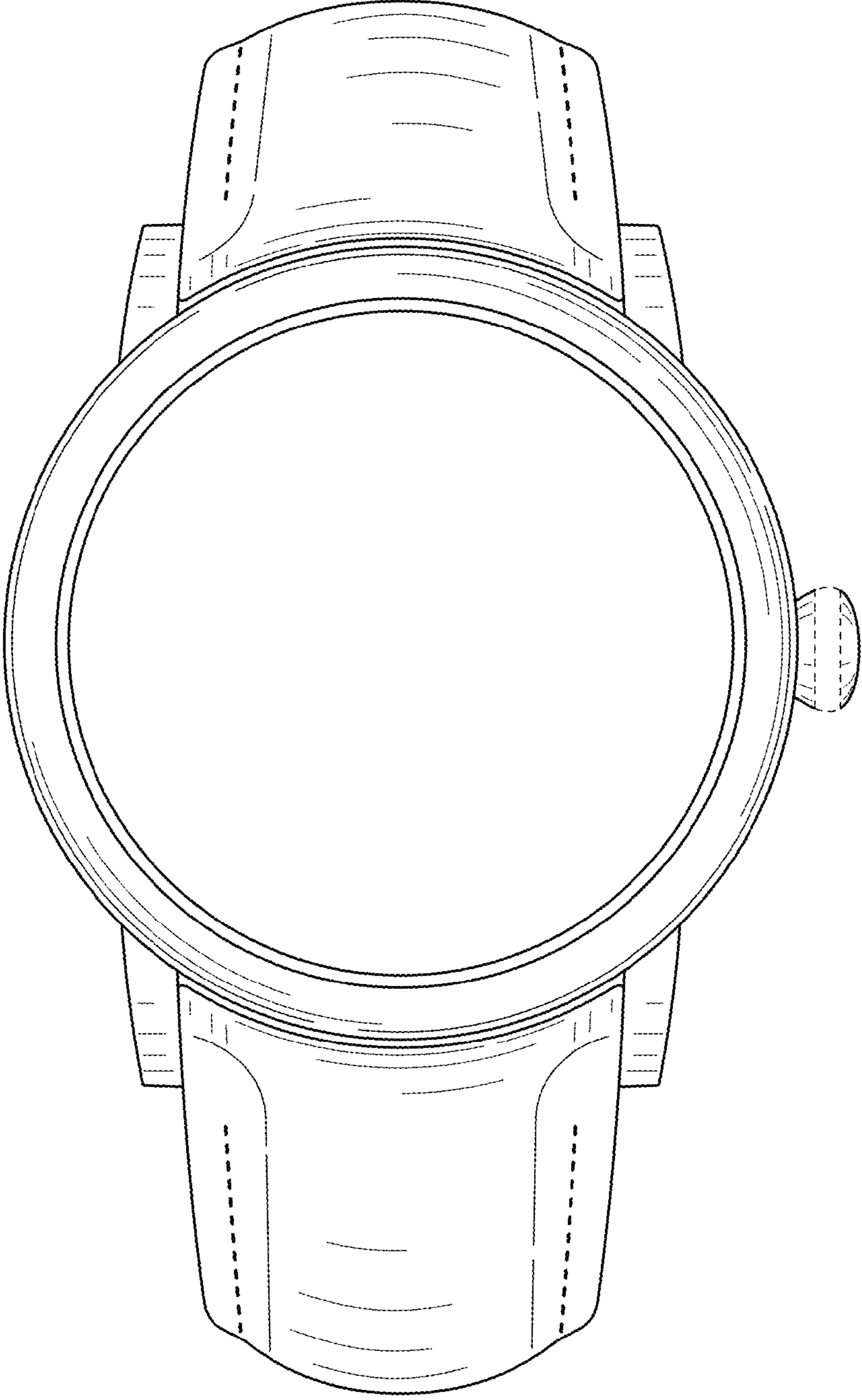


FIG. 2

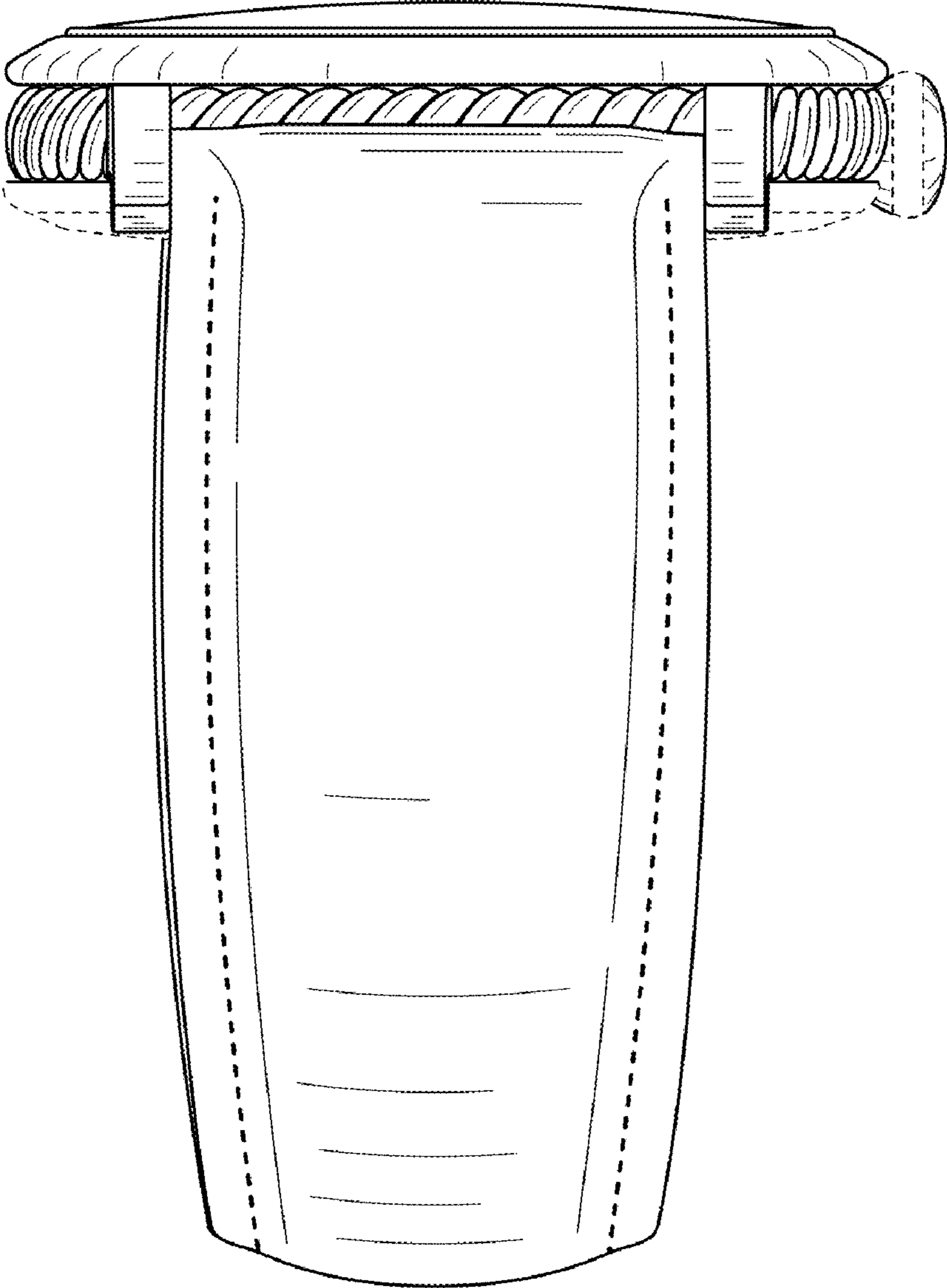


FIG. 3

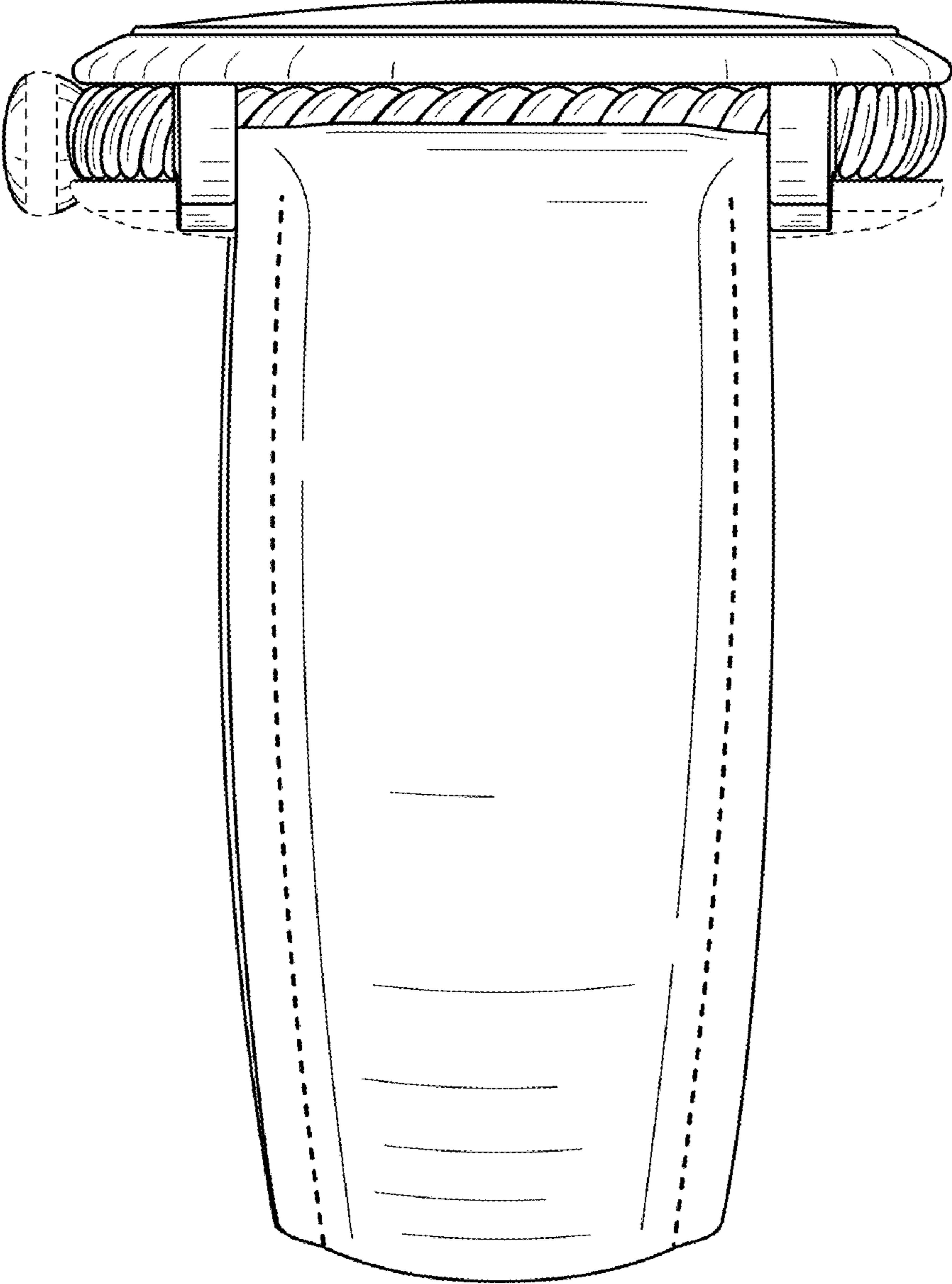


FIG. 4

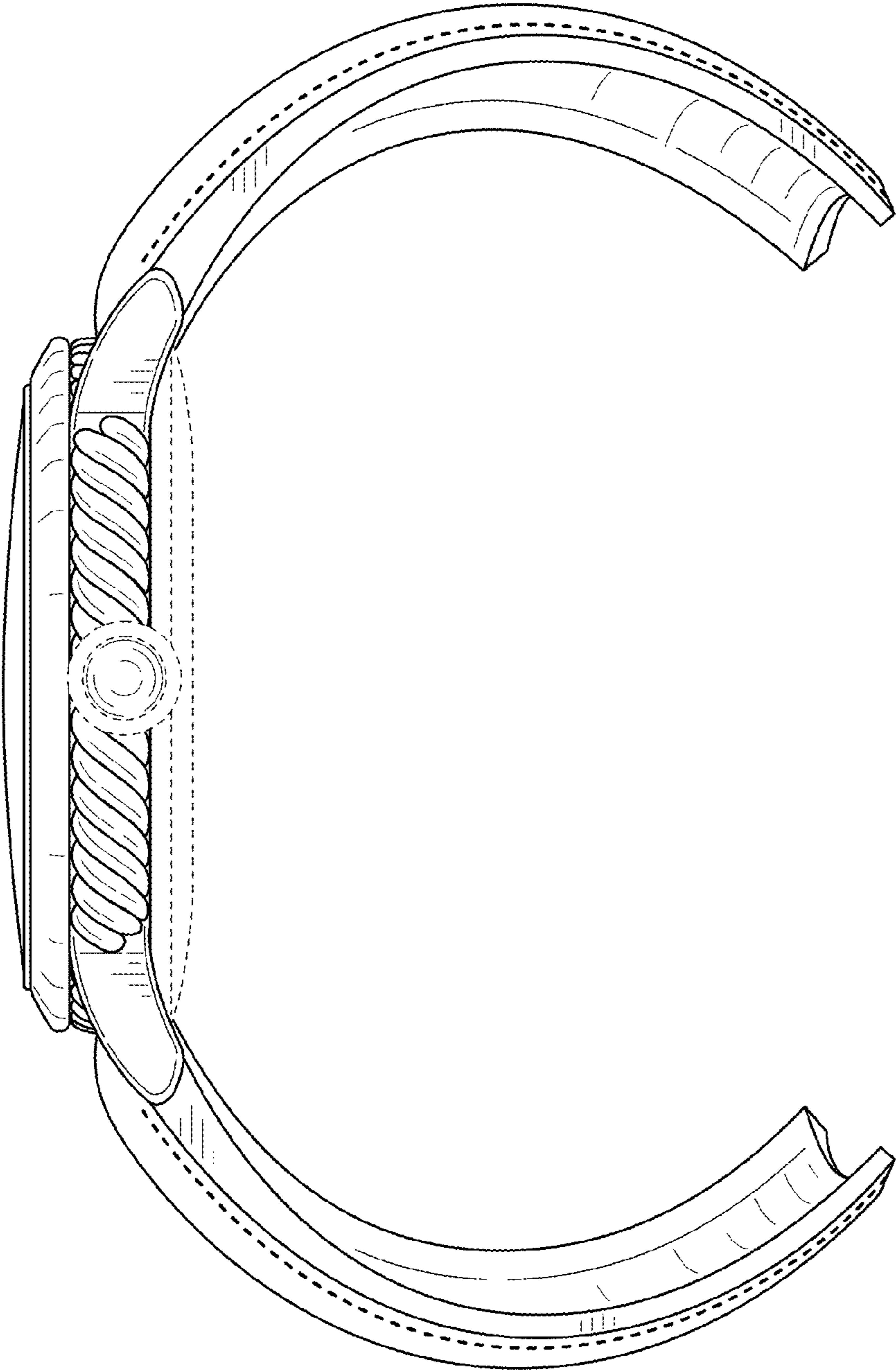


FIG. 5

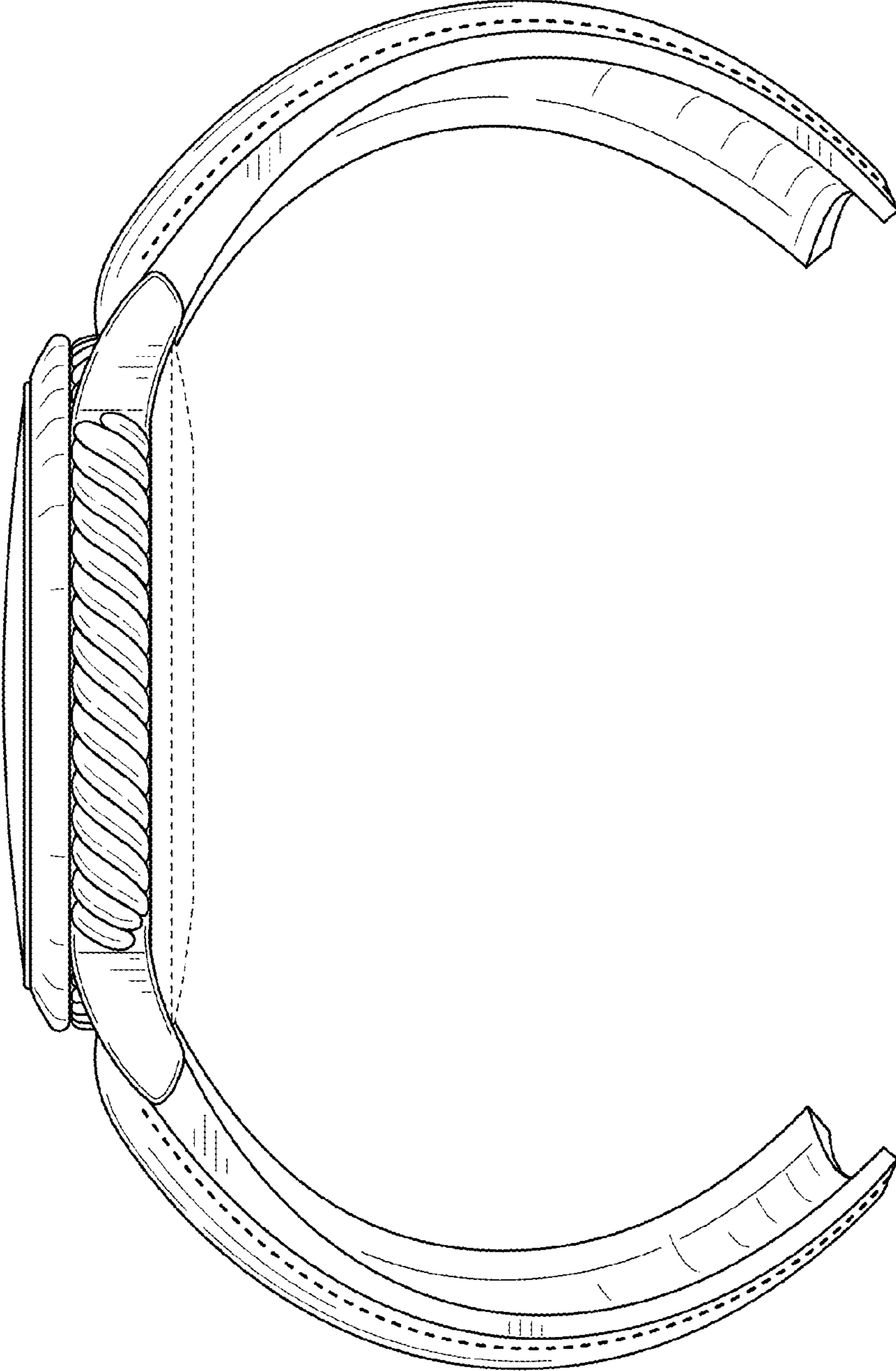


FIG. 6

UNITED STATES PATENT AND TRADEMARK OFFICE
CERTIFICATE OF CORRECTION

PATENT NO. : D675,111 S
APPLICATION NO. : 29/324966
DATED : January 29, 2013
INVENTOR(S) : David Yurman

Page 1 of 1

It is certified that error appears in the above-identified patent and that said Letters Patent is hereby corrected as shown below:

Title page, Item (30) insert the foreign priority information:

--International Design Registration No. DM/069978, filed March 25, 2008--.

Signed and Sealed this
Twenty-eighth Day of May, 2013



Teresa Stanek Rea
Acting Director of the United States Patent and Trademark Office