



US00D675107S

(12) **United States Design Patent**
Vulgamott et al.

(10) **Patent No.:** **US D675,107 S**
(45) **Date of Patent:** **** Jan. 29, 2013**

(54) **WRAP PACKAGING**

(75) Inventors: **Rick Vulgamott**, Brighton, MI (US);
Kristi Huffman, Grand Rapids, MI (US)

(73) Assignee: **Multi Packaging Solutions, Inc.**,
Lansing, MI (US)

(**) Term: **14 Years**

(21) Appl. No.: **29/427,660**

(22) Filed: **Jul. 20, 2012**

(51) **LOC (9) Cl.** **09-05**

(52) **U.S. Cl.** **D9/711**

(58) **Field of Classification Search** D9/702-714,
D9/719, 738-740, 517-518, 522, 416, 444,
D9/435, 455, 499, 414, 454, 443, 434; D7/560-562,
D7/622, 624.1; 206/434, 426-427, 429-430,
206/485, 485.1, 499, 508, 431; 229/117.3,
229/185, 121-122, 200, 207, 236, 87.01,
229/403; 220/23.83, 769, 759, 754, 752,
220/741, 737, 694, 739, 738, 903; D3/328,
D3/316; 40/665; 294/31.2, 164, 137; 224/148.4;
215/396, 395, 386; 222/183

See application file for complete search history.

(56) **References Cited**

U.S. PATENT DOCUMENTS

329,559 A	11/1885	Hohenstein	
1,046,017 A	12/1912	Reber	
1,778,462 A	10/1930	Nourse et al.	
1,833,492 A	11/1931	Miller	
1,950,505 A *	3/1934	Matters	222/183
2,151,472 A	3/1939	Hubbard	
2,189,602 A	2/1940	Denny	
2,306,624 A	12/1942	Grover	
2,334,425 A	11/1943	Lowey	
2,391,767 A	12/1945	Beerend	
2,536,530 A	1/1951	Bergestein	
2,621,783 A	12/1952	Buttery	

2,702,663 A	2/1955	Klein
2,942,769 A	6/1960	Kuchenbecker
2,944,719 A	7/1960	Arneson
2,954,914 A	10/1960	Herlihy
3,091,381 A	5/1963	Sidney
3,291,369 A	12/1966	Crawford

(Continued)

FOREIGN PATENT DOCUMENTS

DE 7819435 U1 10/1978

(Continued)

OTHER PUBLICATIONS

Search Report and Written opinion of PCT Application No. US2009/064420, dated Nov. 13, 2009.

(Continued)

Primary Examiner — Caron D Veynar

Assistant Examiner — Abraham Bahta

(74) *Attorney, Agent, or Firm* — Dobrusin & Thennisch PC

(57) **CLAIM**

The ornamental design for a wrap packaging, as shown and described.

DESCRIPTION

FIG. 1 is a top-down view of the wrap-packaging showing our new design; the bottom-up view being a mirror image of FIG. 1.

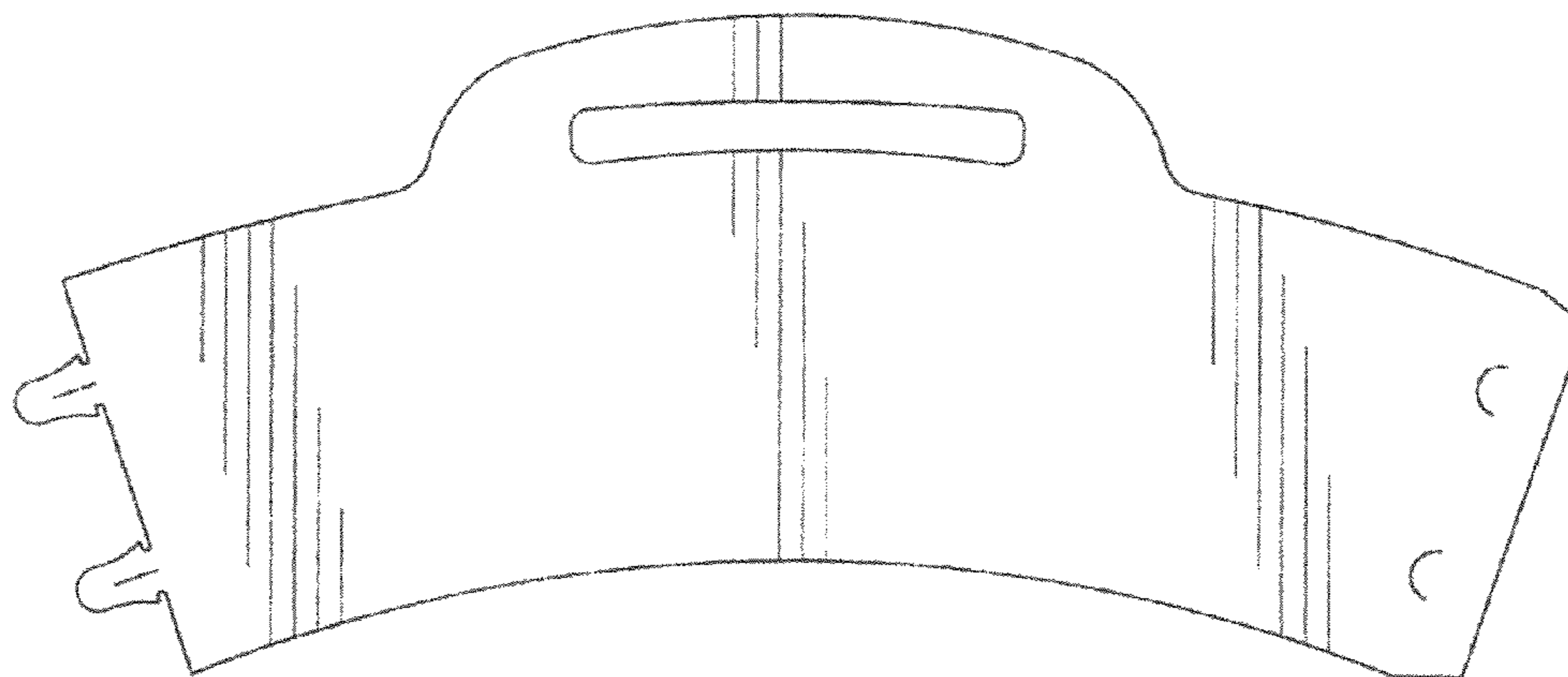
FIG. 2 is a front elevational view of the embodiment shown in FIG. 1.

FIG. 3 is a rear elevational view of the embodiment shown in FIG. 1.

FIG. 4 is a side elevational view of the embodiment shown in FIG. 1; and,

FIG. 5 is a side elevational view of the embodiment shown in FIG. 1.

1 Claim, 2 Drawing Sheets



U.S. PATENT DOCUMENTS

3,314,194	A	4/1967	Halleck	
3,338,503	A	8/1967	Beh	
3,443,681	A	5/1969	Wysocki	
3,465,948	A	9/1969	Boyer	
3,559,869	A	2/1971	Reynolds	
3,567,106	A	3/1971	Anderson	
3,606,078	A	9/1971	Phillips, Jr.	
3,754,642	A	8/1973	Stidolph	
3,869,828	A	3/1975	Matsumoto	
3,913,823	A	10/1975	Lin	
3,993,240	A	11/1976	Matsuyama	
4,055,293	A	10/1977	Stramaglia	
D249,022	S	8/1978	Bamburg et al.	
4,119,265	A	10/1978	Dlugopolski	
4,238,069	A	12/1980	Morris, Jr.	
4,242,835	A	1/1981	Mondragon	
4,260,098	A	4/1981	Manizza et al.	
4,512,511	A	4/1985	Zimmermann	
4,586,650	A	5/1986	Sasaki et al.	
4,919,267	A	4/1990	Stoll	
4,974,772	A	12/1990	Spurrell et al.	
D317,582	S	6/1991	Weder	
5,029,708	A	7/1991	Alonso et al.	
5,070,645	A	12/1991	Vaughn	
D326,246	S	5/1992	Weder	
D326,830	S	6/1992	Vaughn	
D327,234	S	6/1992	Vaughn	
D327,236	S	6/1992	Weder	
5,174,061	A	12/1992	Dambricourt	
5,211,330	A	5/1993	Frey	
5,221,248	A	6/1993	Weder et al.	
5,254,072	A	10/1993	Weder et al.	
5,284,294	A	2/1994	Floyd	
D360,387	S	7/1995	Weder et al.	
D361,738	S	8/1995	Shryock	
D363,450	S	10/1995	Weder et al.	
5,673,847	A	10/1997	Swink	
5,746,372	A *	5/1998	Spence 229/403	
D398,261	S	9/1998	Weder et al.	
5,853,121	A	12/1998	Francisco	
D411,447	S *	6/1999	Melzer D9/711	
D414,412	S *	9/1999	Brunianyn D9/415	
D420,580	S *	2/2000	Melzer D9/415	
6,050,483	A	4/2000	Haraldsson et al.	
6,152,363	A *	11/2000	Rule, Jr. 229/403	
6,345,467	B1	2/2002	Weder	
6,421,959	B1	7/2002	Van Laere	
D471,451	S *	3/2003	Hadeler D9/711	
6,561,353	B2	5/2003	Levieux et al.	
D480,660	S	10/2003	Faulkner	
6,745,514	B1	6/2004	Myrland	
6,782,659	B2	8/2004	Van Laere	
D529,378	S *	10/2006	Spencer et al. D9/711	

D572,169	S	7/2008	DeRoeck	
D587,113	S *	2/2009	Sharon D9/444	
D587,994	S *	3/2009	Masotta et al. D9/418	
D630,548	S	1/2011	Kaltman et al.	
7,870,995	B1	1/2011	Kaltman et al.	
D631,741	S	2/2011	Hubbard et al.	
D631,743	S	2/2011	Hubbard et al.	
7,959,061	B2	6/2011	Kaltman et al.	
D650,665	S	12/2011	Kaltman et al.	
2002/0038527	A1	4/2002	Weder	
2002/0148159	A1	10/2002	Weder	
2002/0184821	A1	12/2002	Campeau	
2003/0197053	A1	10/2003	Haraldsson	
2004/0031842	A1	2/2004	Westerman et al.	
2004/0182916	A1	9/2004	Roseth	
2008/0060270	A1	3/2008	Weder	
2011/0072719	A1	3/2011	Kaltman et al.	
2011/0089227	A1	4/2011	Kaltman et al.	
2012/0125804	A1	5/2012	Kaltman et al.	

FOREIGN PATENT DOCUMENTS

DE	9011923	U1	10/1990
EP	1084958	A1	3/2001
EP	2480461	A1	8/2012
GB	477926	A	1/1938
GB	490316	A	8/1938
GB	714265	A	8/1954
GB	2121383	A	12/1983
GB	2276870	A	10/1994
GB	2415956	A	11/2006
WO	02/076840	A1	10/2002
WO	2011/037594	A1	3/2011

OTHER PUBLICATIONS

IPRP of PCT Application No. US2009/064420, dated Apr. 5, 2012.
 Co-Pending U.S. Appl. No. 29/427,652, filed Jul. 20, 2012.
 U.S. Appl. No. 29/350,841, filed Nov. 24, 2009; Issued as D650,665 on December 20, 2011.
 Utility Patent Application No. US09/64420 filed Nov. 13, 2009; Published as WO2011/037594 on Mar. 31, 2011.
 U.S. Appl. No. 12/566,766, filed Sep. 25, 2009; Published as US 2011/0072719 A1 on Mar. 31, 2011; Issued as US 7,959,061 on Jun. 14, 2011.
 U.S. Appl. No. 12/618,395, filed Nov. 13, 2009; Issued as US Patent No. 7,870,995 on Jan. 18, 2011.
 U.S. Appl. No. 12/976,065, filed Dec. 22, 2010; Published as US 2011/0089227 A1 on Apr. 21, 2011.
 Co-Pending U.S. Appl. No. 13/225,794, filed Sep. 6, 2011; as Published US 2012/0125804 A1 on May 24, 2012.
 Related U.S. Appl. No. 29/344,203, filed Sep. 25, 2009; Issued as Design Patent No. D630,548 on Jan. 11, 2011.

* cited by examiner

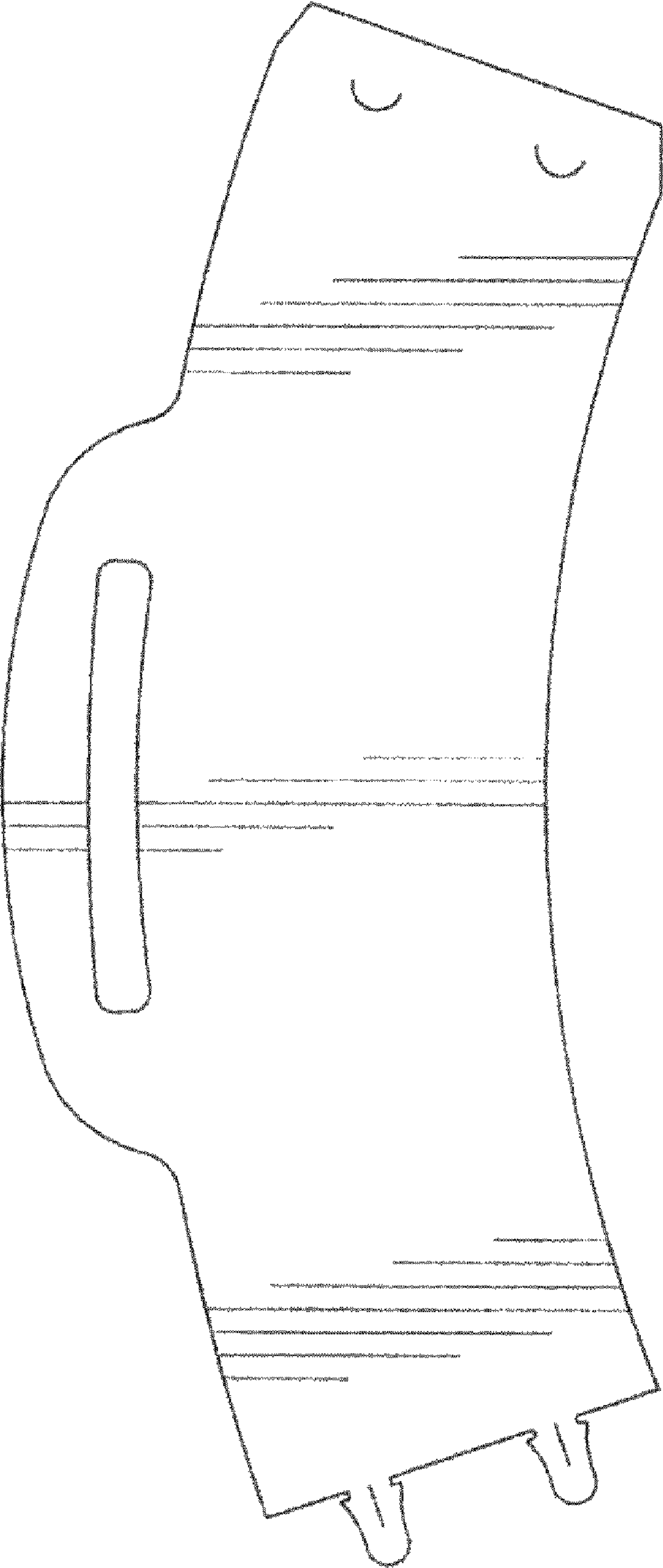


Fig-1

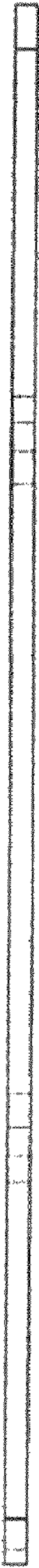


Fig-2



Fig-3

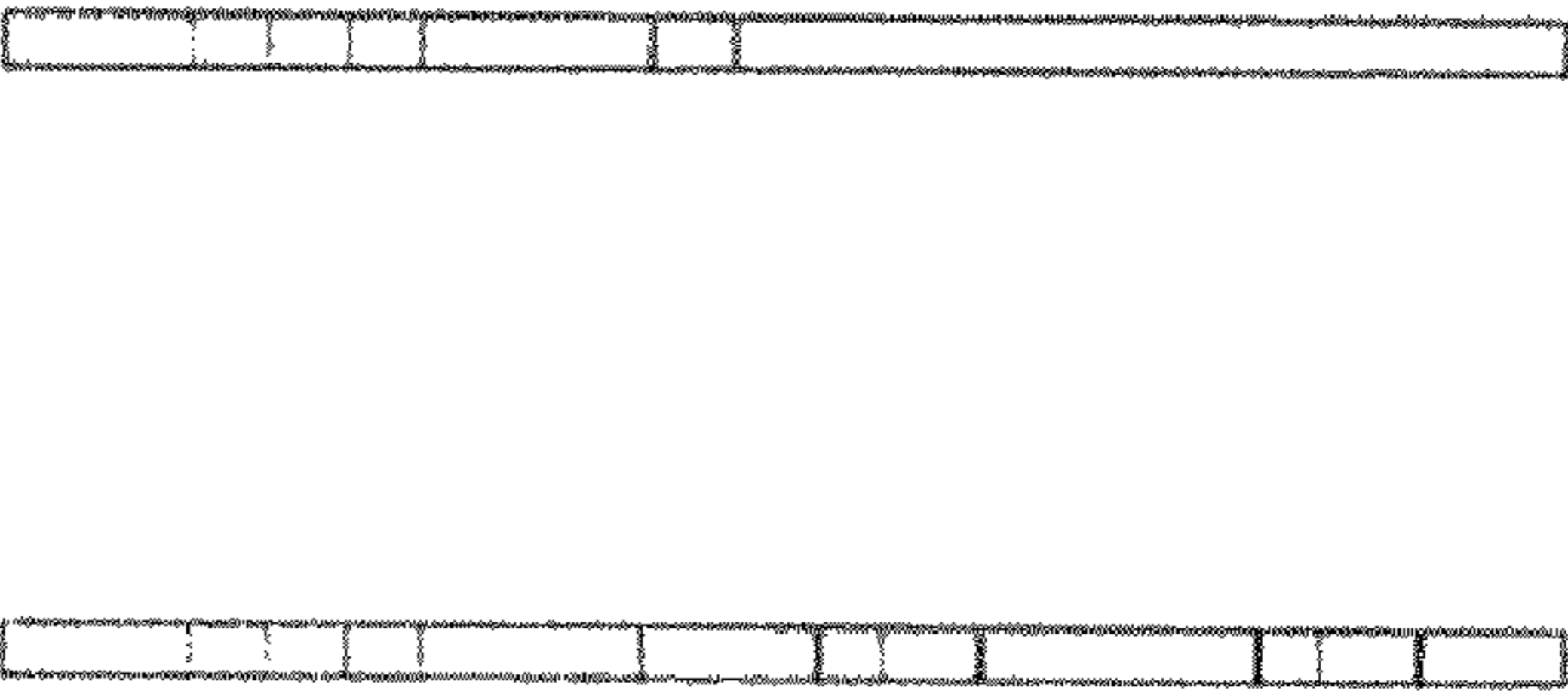


Fig-4

Fig-5