



US00D675100S

(12) **United States Design Patent**
Herbst

(10) **Patent No.:** **US D675,100 S**
(45) **Date of Patent:** **** Jan. 29, 2013**

- (54) **CAPSULE SHAPED CONTAINER**
- (76) Inventor: **Scot Herbst**, Santa Cruz, CA (US)
- (**) Term: **14 Years**
- (21) Appl. No.: **29/421,062**
- (22) Filed: **May 15, 2012**
- (51) **LOC (9) Cl.** **09-01**
- (52) **U.S. Cl.** **D9/504; D9/443; D7/511**
- (58) **Field of Classification Search** D9/500,
D9/502-505, 516, 537, 539, 544-545, 549,
D9/558, 682, 686, 688-692, 443; D7/509-511;
215/379, 381-382, 384; 220/660, 669, 675
See application file for complete search history.

- D652,255 S * 1/2012 Carland D7/510
- D658,064 S * 4/2012 Barnes et al. D9/532
- D662,360 S * 6/2012 George D7/510

* cited by examiner

Primary Examiner — Ian Simmons
Assistant Examiner — Dana L Meyrow

(74) *Attorney, Agent, or Firm* — Knechtel, Demeur & Samlan

(57) **CLAIM**

I claim the ornamental design for a capsule shaped container, as shown and described.

DESCRIPTION

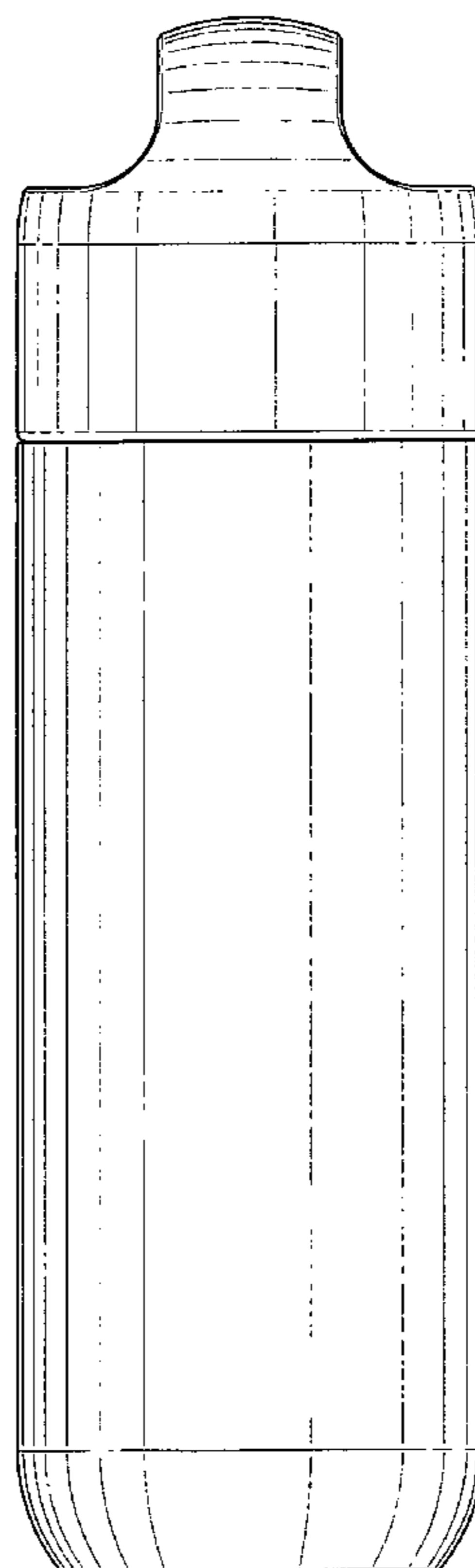
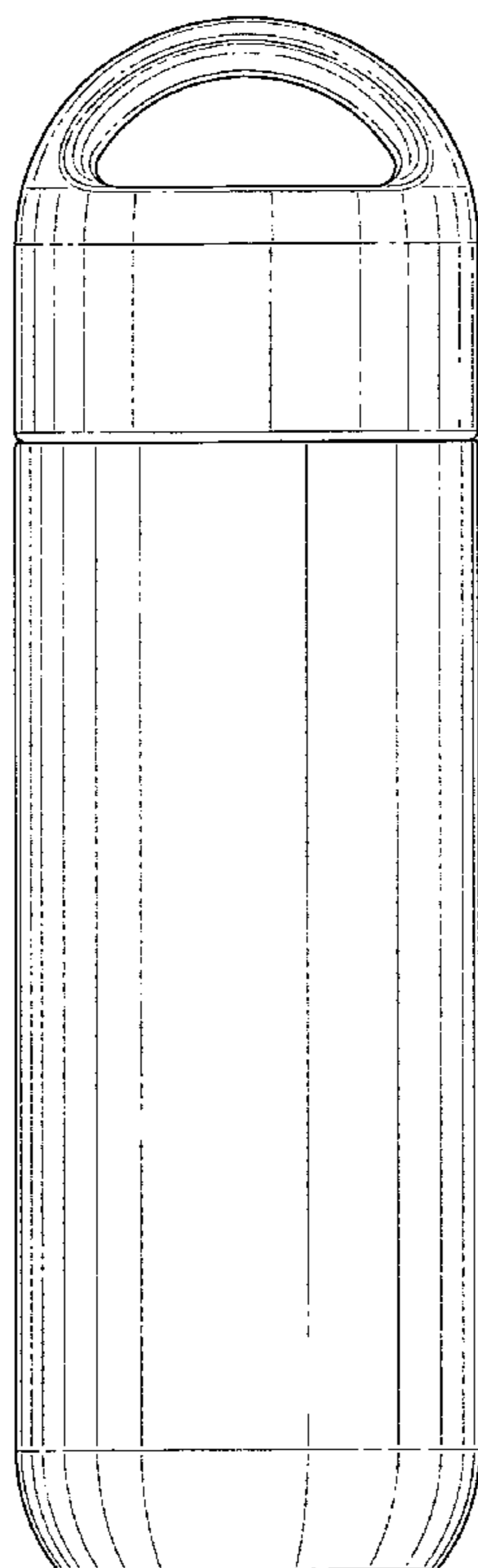
FIG. 1 is a front perspective view of the capsule shaped container;
 FIG. 2 is a rear perspective view of the capsule shaped container;
 FIG. 3 is a front elevational view of the capsule shaped container;
 FIG. 4 is a rear elevational view of the capsule shaped container;
 FIG. 5 is a side elevational view of the capsule shaped container;
 FIG. 6 is a side elevational view of the opposed side of the capsule shaped container;
 FIG. 7 is a top plan view of the capsule shaped container; and,
 FIG. 8 is a bottom plan view of the capsule shaped container.

1 Claim, 5 Drawing Sheets

(56) **References Cited**

U.S. PATENT DOCUMENTS

D386,687 S *	11/1997	Fitten et al.	D9/504
D422,916 S *	4/2000	Herrmann	D9/501
D572,585 S *	7/2008	Perrin et al.	D9/443
D616,744 S *	6/2010	Cresswell et al.	D9/443
D621,258 S *	8/2010	Gullickson et al.	D9/443
D626,414 S *	11/2010	Cresswell et al.	D9/500
D626,416 S *	11/2010	Cresswell et al.	D9/503
D627,601 S *	11/2010	Eyal	D7/510
D629,689 S *	12/2010	Cresswell et al.	D9/500
D629,691 S *	12/2010	Cresswell et al.	D9/500
D631,666 S *	2/2011	Lim et al.	D4/129
D633,795 S *	3/2011	Cresswell et al.	D9/500
D633,796 S *	3/2011	Cresswell et al.	D9/500
D633,797 S *	3/2011	Cresswell et al.	D9/500



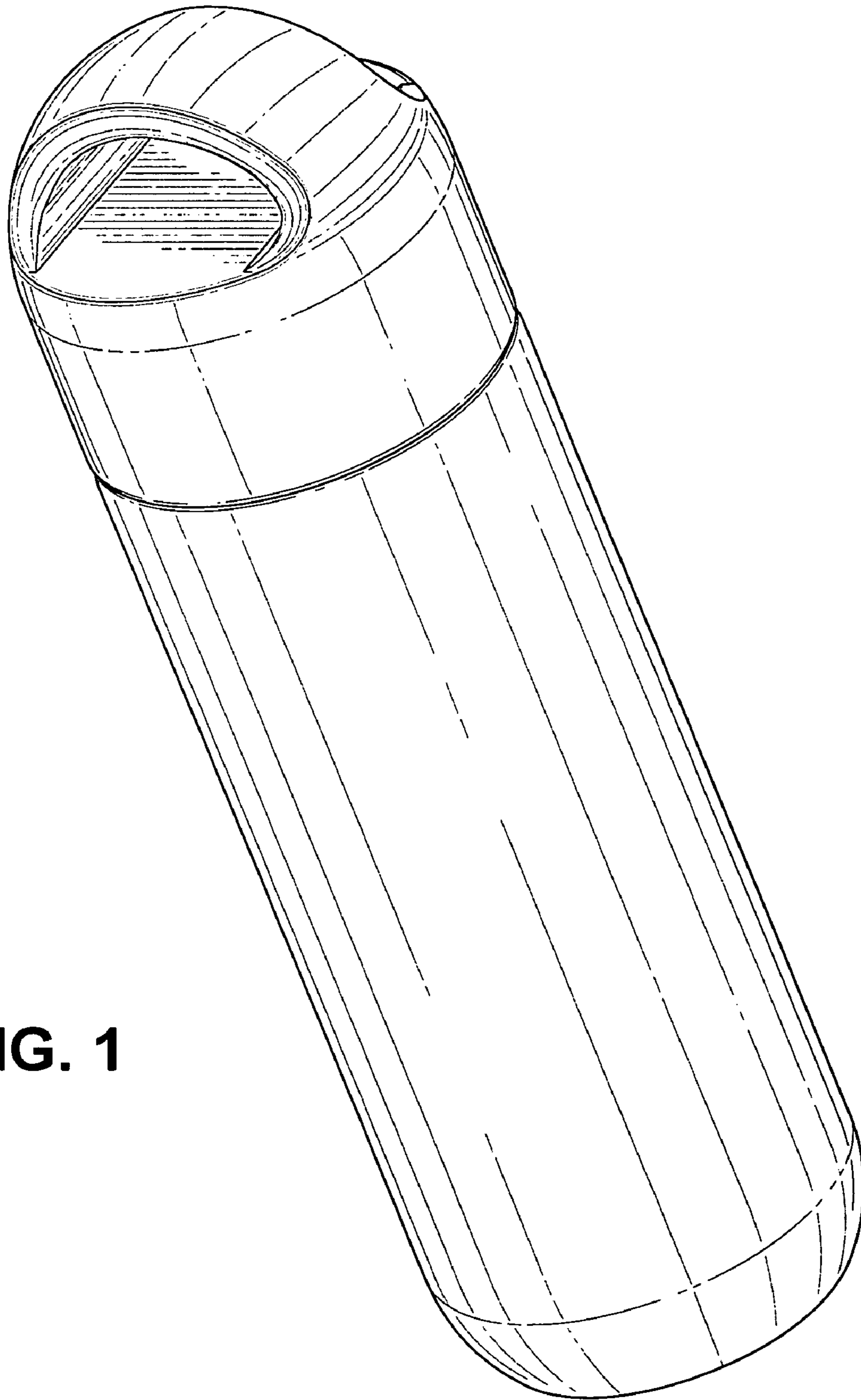


FIG. 1

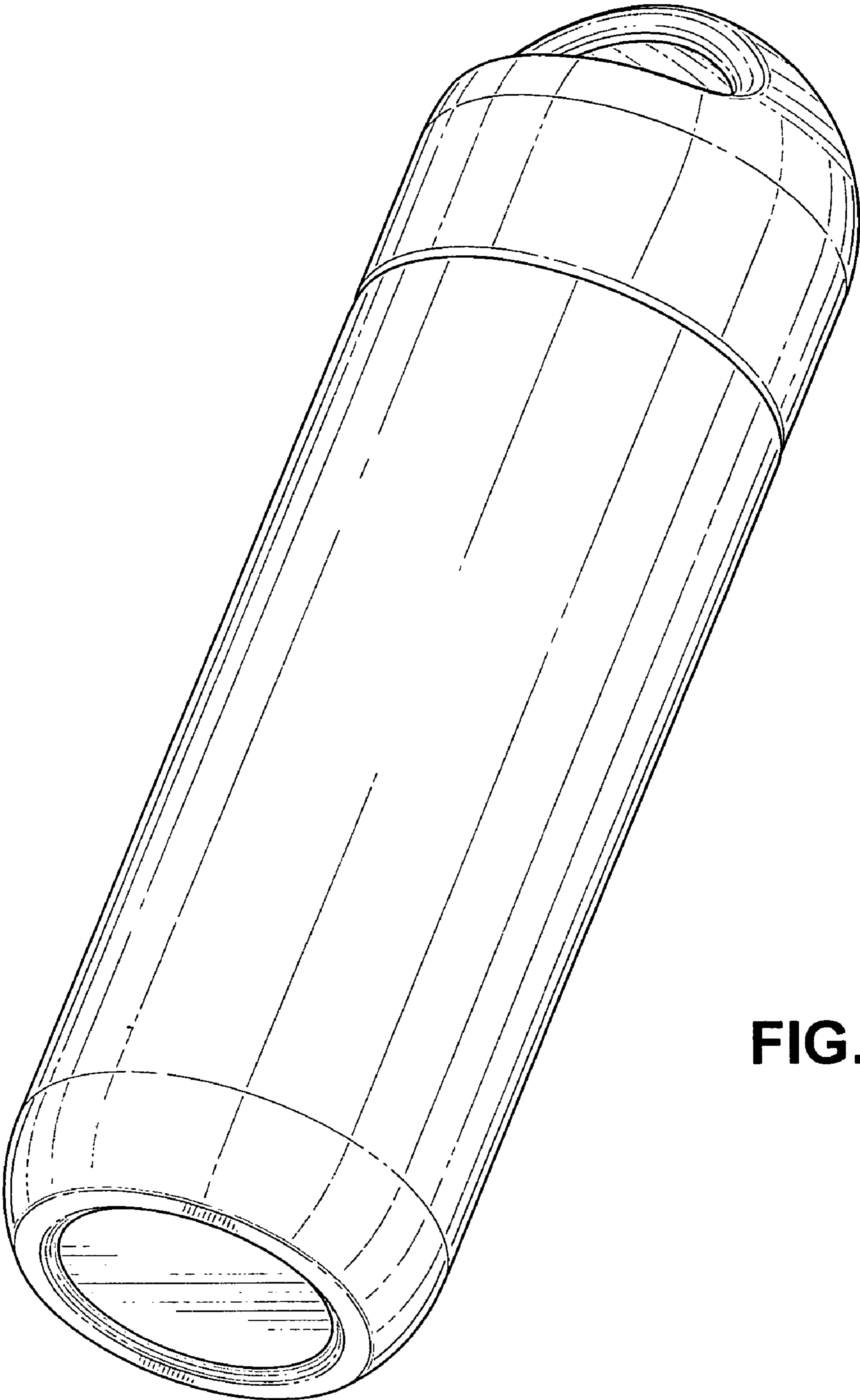


FIG. 2

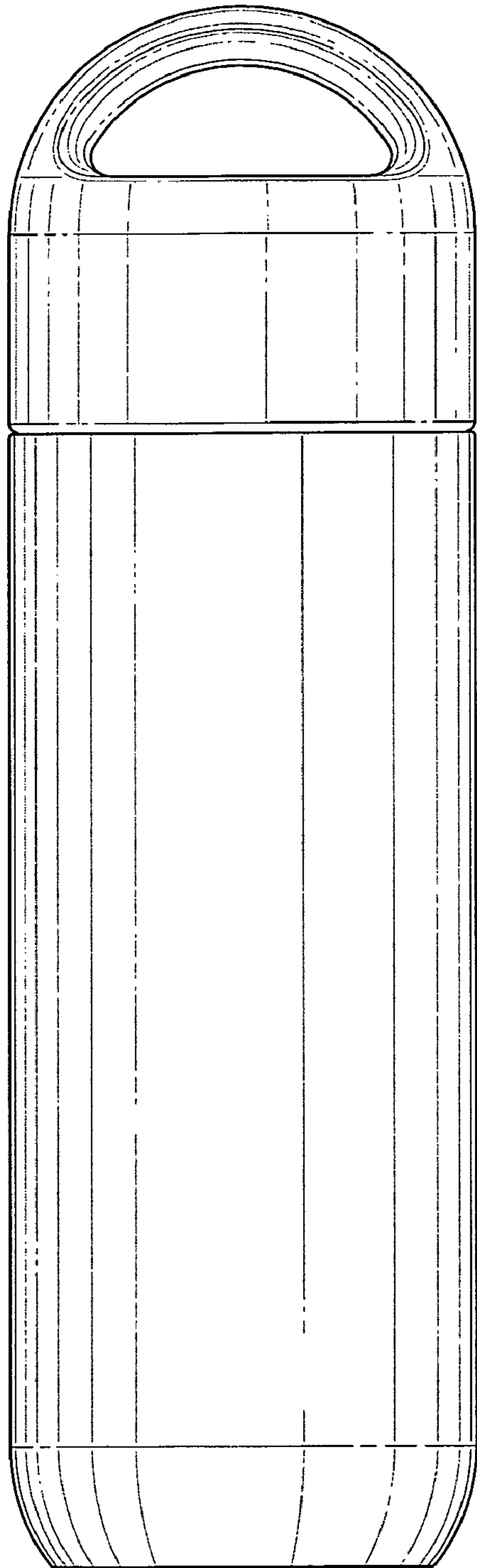


FIG. 3

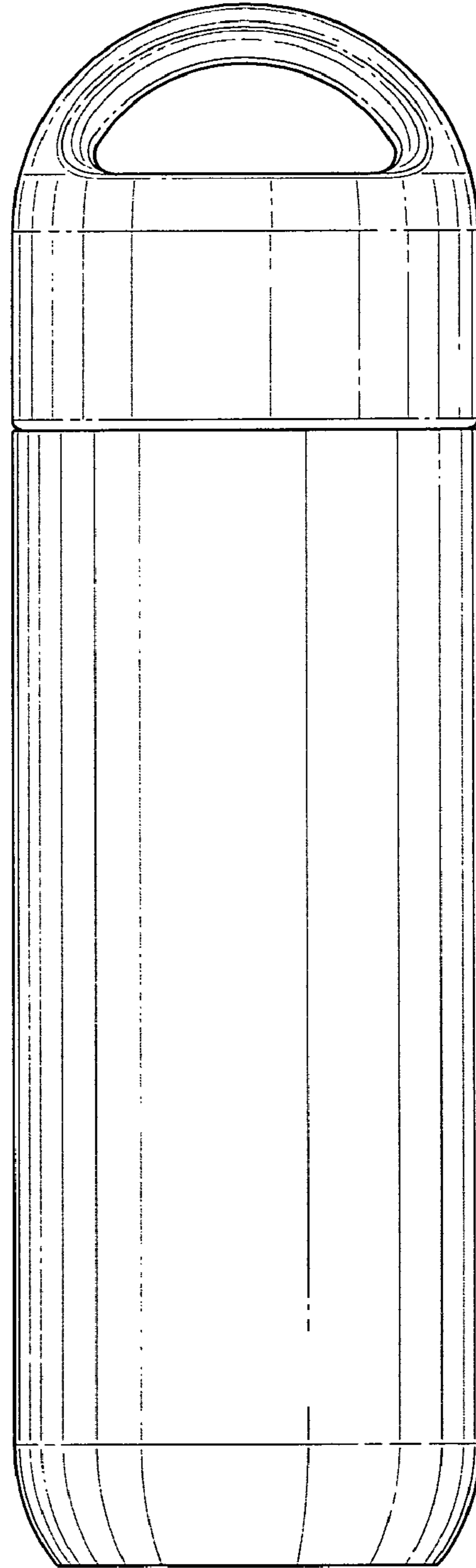


FIG. 4

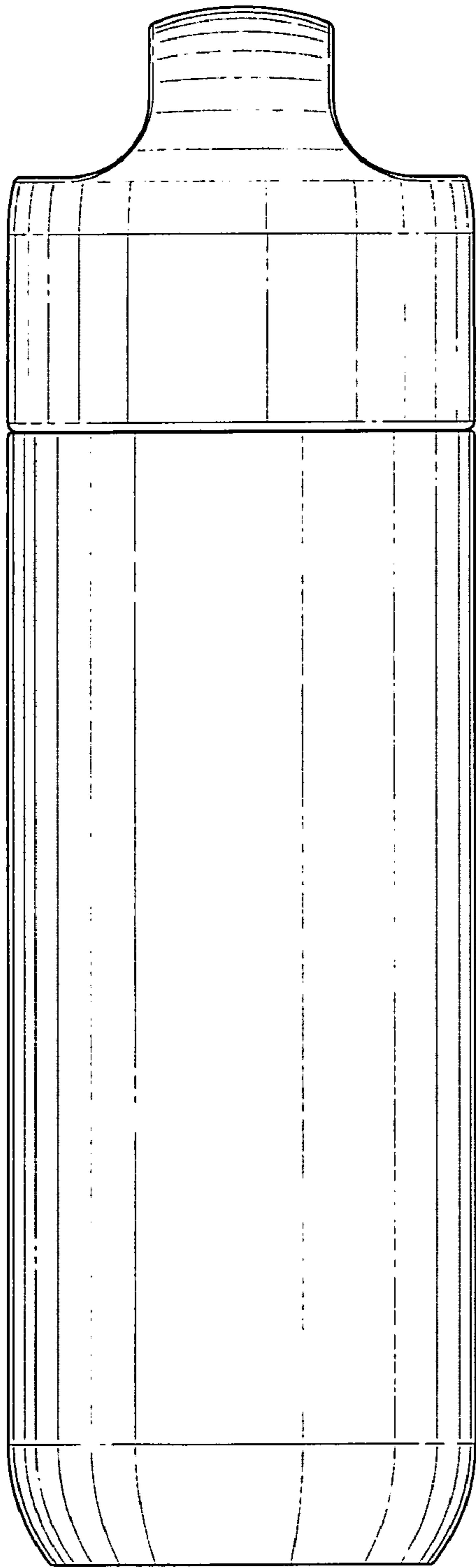


FIG. 5

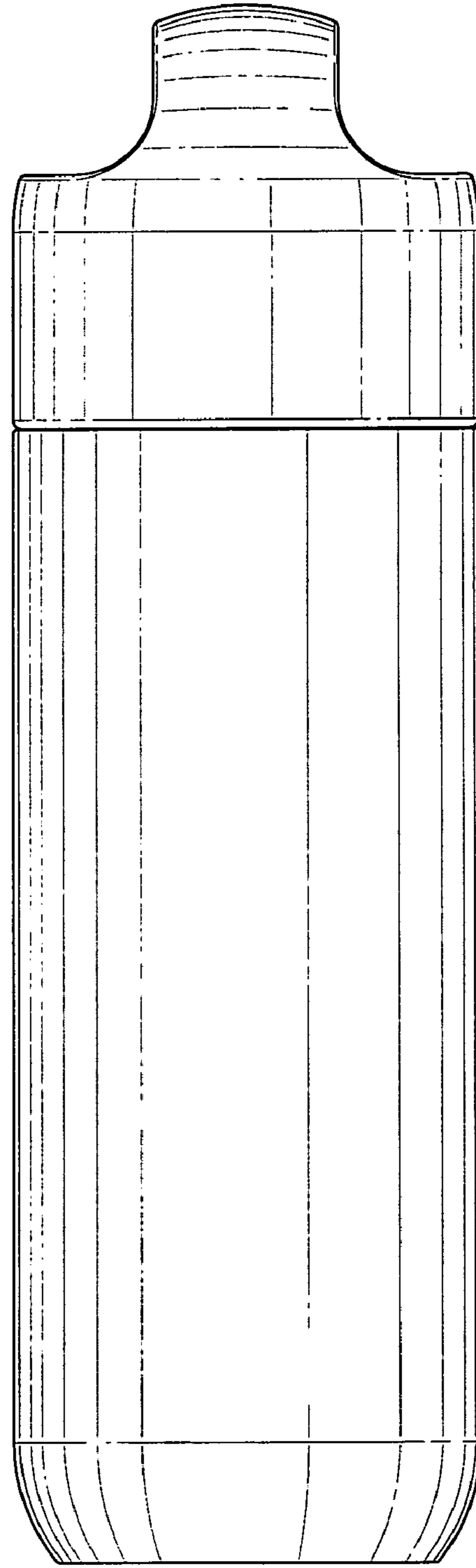


FIG. 6

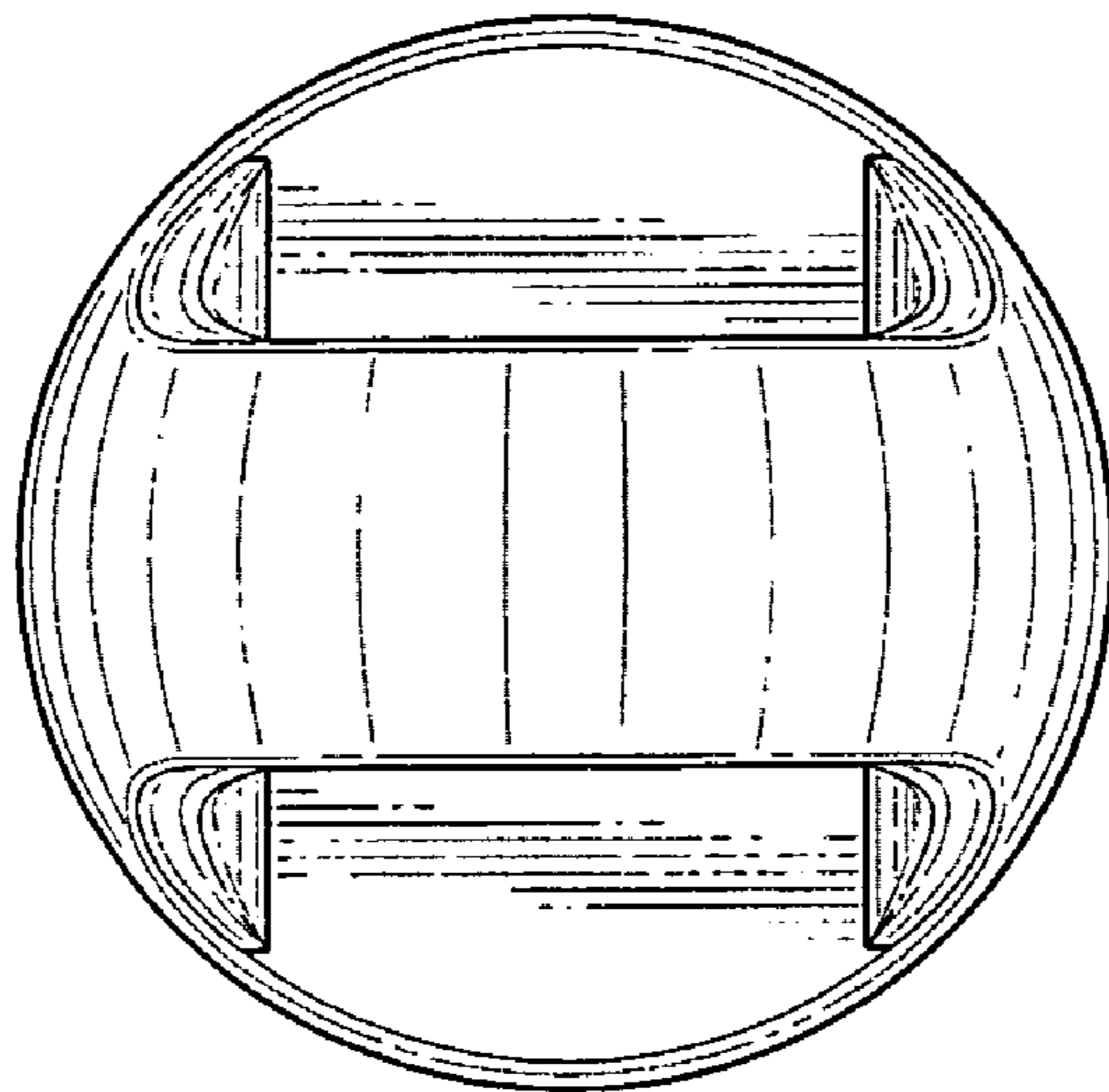


FIG. 7

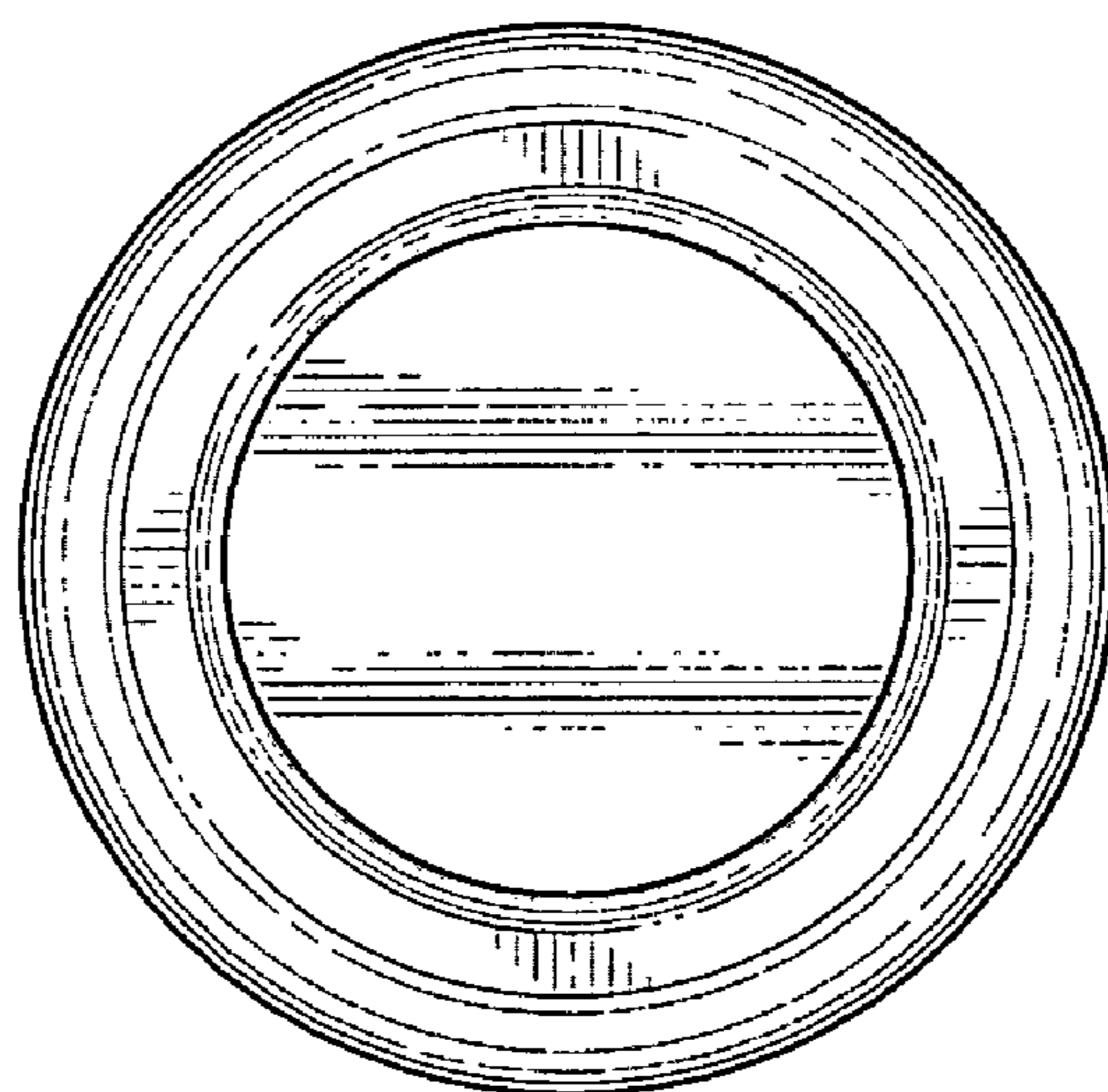


FIG. 8