



US00D675099S

(12) **United States Design Patent**
Luciano, Jr. et al.

(10) **Patent No.:** **US D675,099 S**
(45) **Date of Patent:** **** Jan. 29, 2013**

(54) **CHILDPROOF TABLET DISPENSING CONTAINER**

(75) Inventors: **Robert Luciano, Jr.**, Reno, NV (US);
Warren White, Reno, NV (US)

(73) Assignee: **Edge Medical Properties, LLC**, Reno, NV (US)

(**) Term: **14 Years**

(21) Appl. No.: **29/396,215**

(22) Filed: **Jun. 27, 2011**

(51) **LOC (9) Cl.** **09-01**

(52) **U.S. Cl.** **D9/503; D9/600; D9/445**

(58) **Field of Classification Search** D3/203.2;
D9/600, 652, 667, 500-504, 516, 550, 414,
D9/434, 444-445, 451-454; 206/457, 527,
206/540; 220/890

See application file for complete search history.

(56) **References Cited**

U.S. PATENT DOCUMENTS

3,860,111	A *	1/1975	Thompson	206/540
3,907,145	A *	9/1975	Horvath	206/540
D265,628	S *	8/1982	Redaelli et al.	D9/450
D391,757	S *	3/1998	Johnson	D3/203.2
6,860,513	B2 *	3/2005	Kaufman	283/81
D540,679	S *	4/2007	Tanner	D9/503
D606,861	S *	12/2009	Pavlinac	D9/434

D610,451	S *	2/2010	Rippe	D9/434
D640,930	S *	7/2011	Swanson	D9/667
2002/0129758	A1 *	9/2002	Hanley et al.	116/308
2003/0193185	A1 *	10/2003	Valley et al.	283/81
2003/0205897	A1 *	11/2003	Kaufman	283/117

* cited by examiner

Primary Examiner — Sandra Morris

(74) *Attorney, Agent, or Firm* — Michael A. Kerr; Kerr IP Group, LLC

(57) **CLAIM**

We claim the ornamental design for a childproof tablet dispensing container, as shown and described.

DESCRIPTION

FIG. 1 is an isometric view of a childproof tablet dispensing container showing our new design;
 FIG. 2 is a front elevation view thereof;
 FIG. 3 is a right elevation view (at 90° counterclockwise from the front view) thereof;
 FIG. 4 is a back elevation view (at 180° counterclockwise from the front view) thereof;
 FIG. 5 is a left elevation view (at 270° counterclockwise from the front view) thereof;
 FIG. 6 is a top plan view thereof;
 FIG. 7 is a bottom plan view thereof; and,
 FIG. 8 is an isometric view of the dispensing container in opened condition.

1 Claim, 5 Drawing Sheets

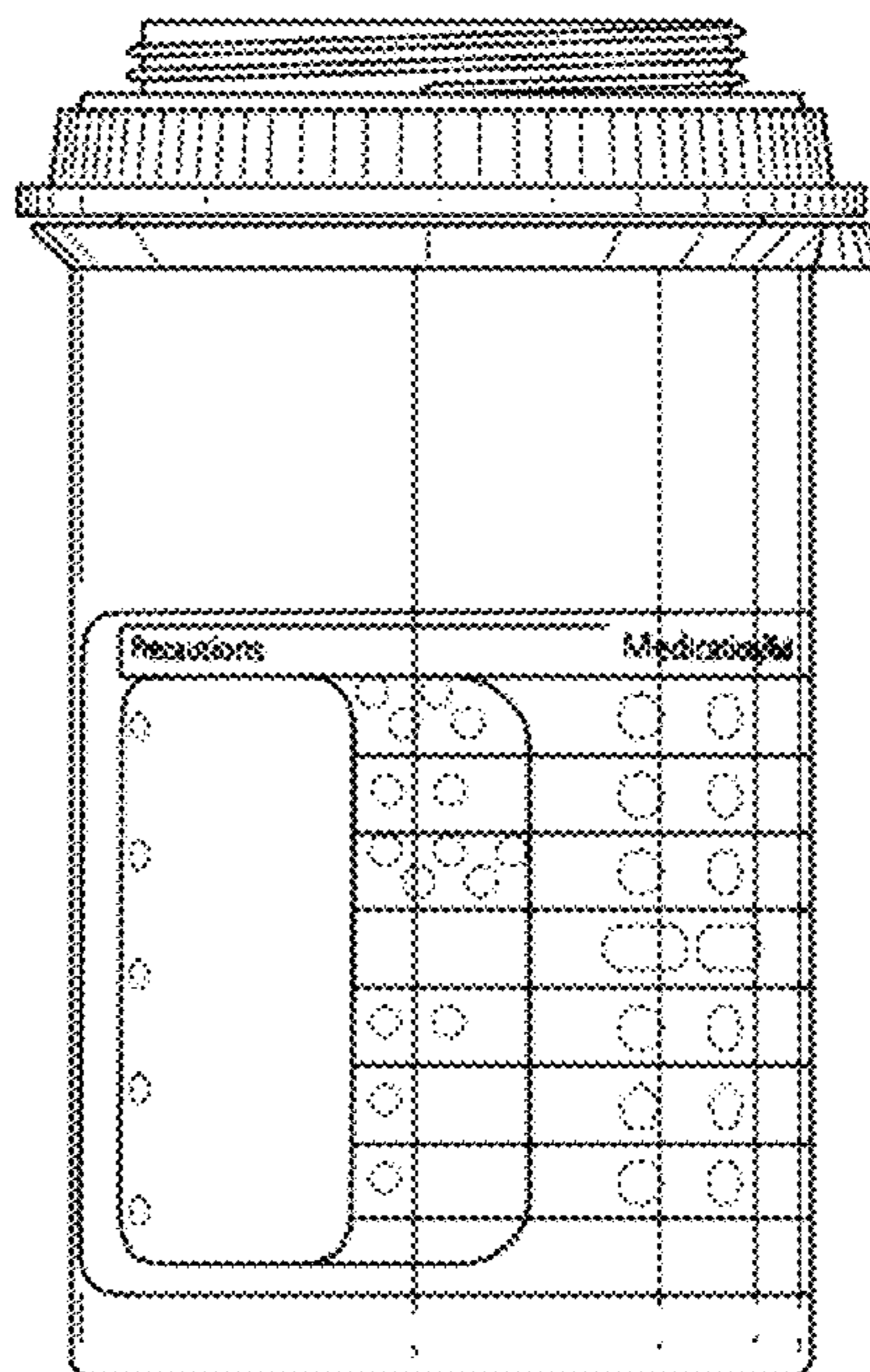
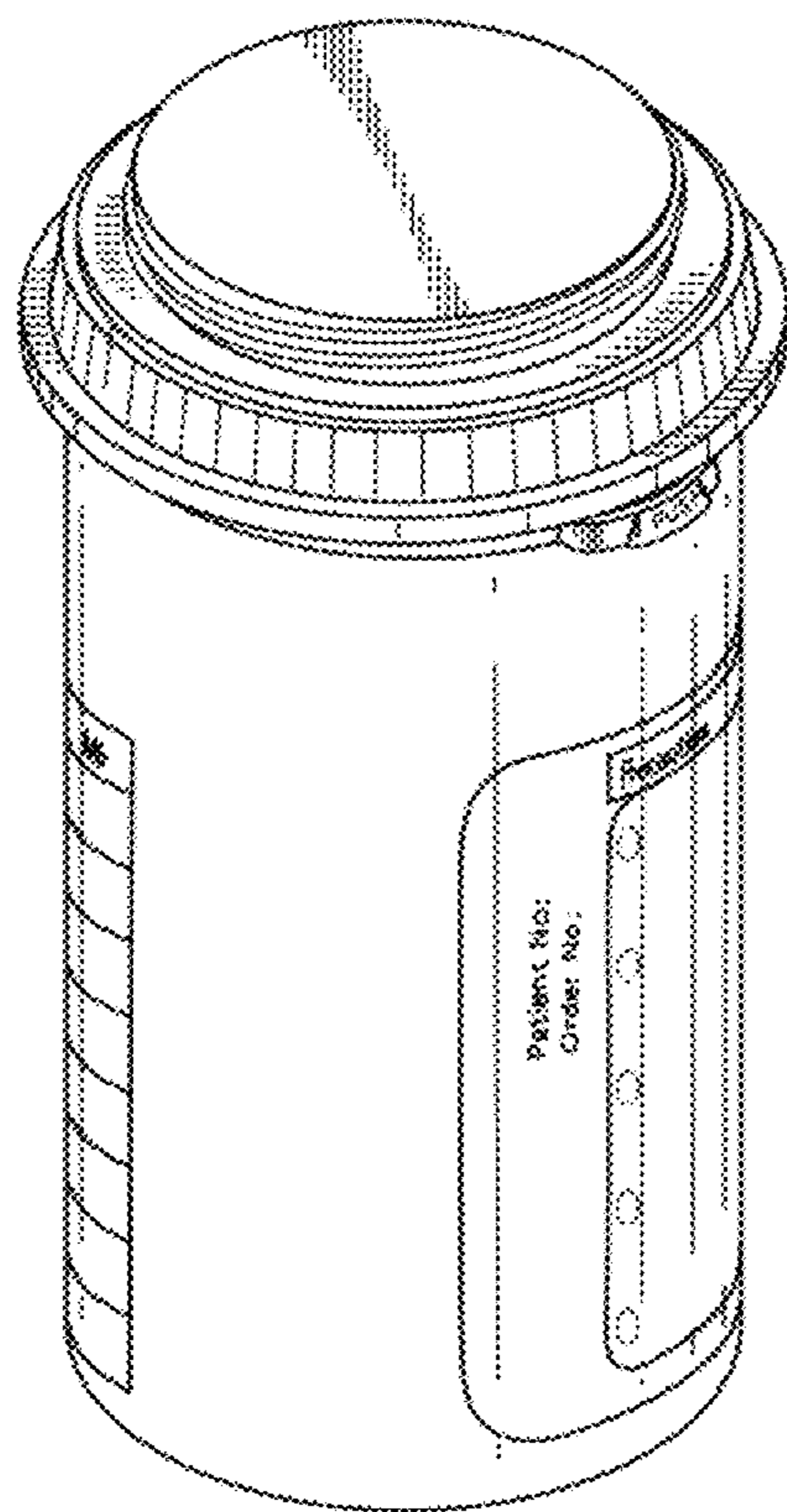


FIG. 1

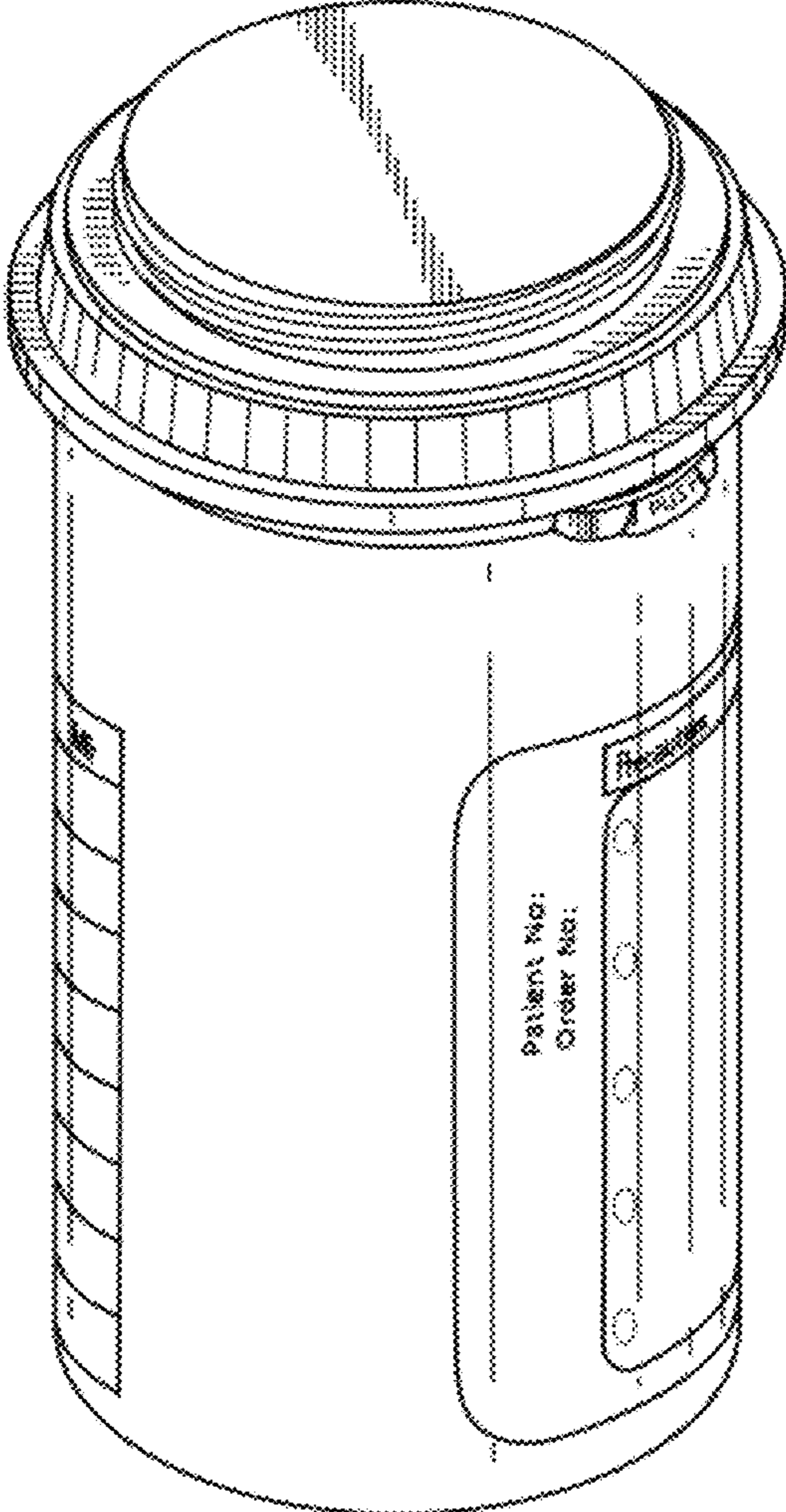


FIG. 4

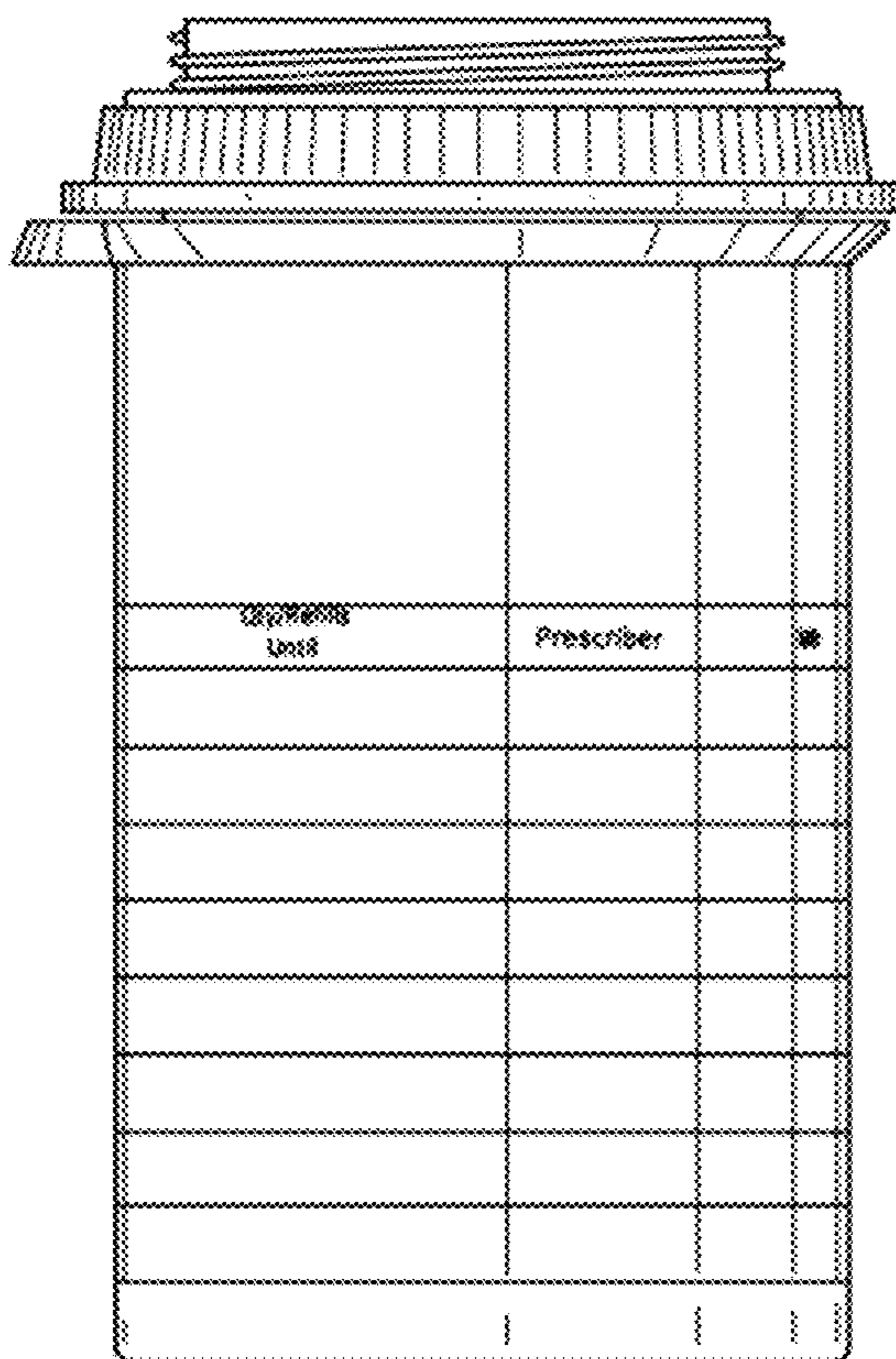


FIG. 5

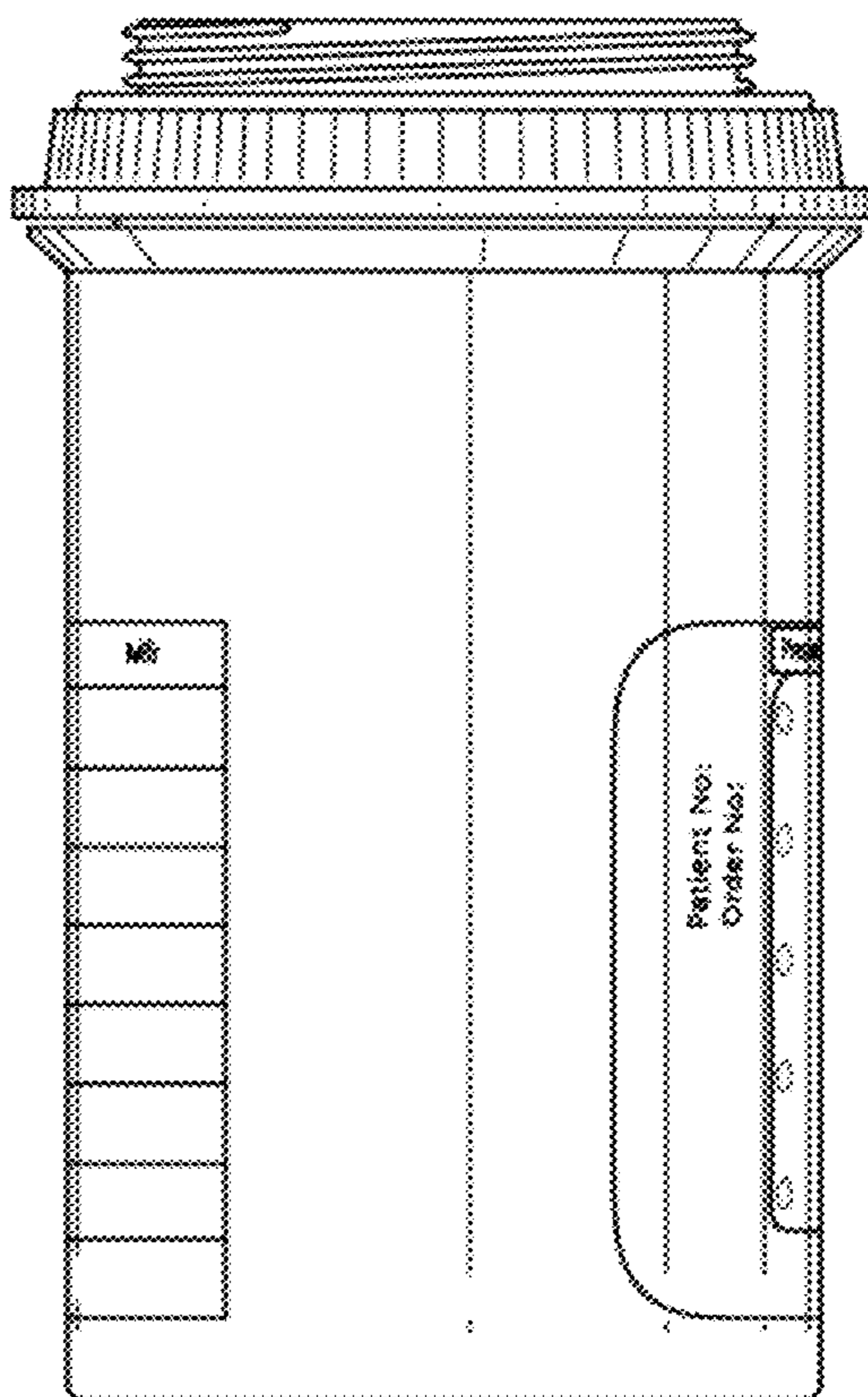


FIG. 6

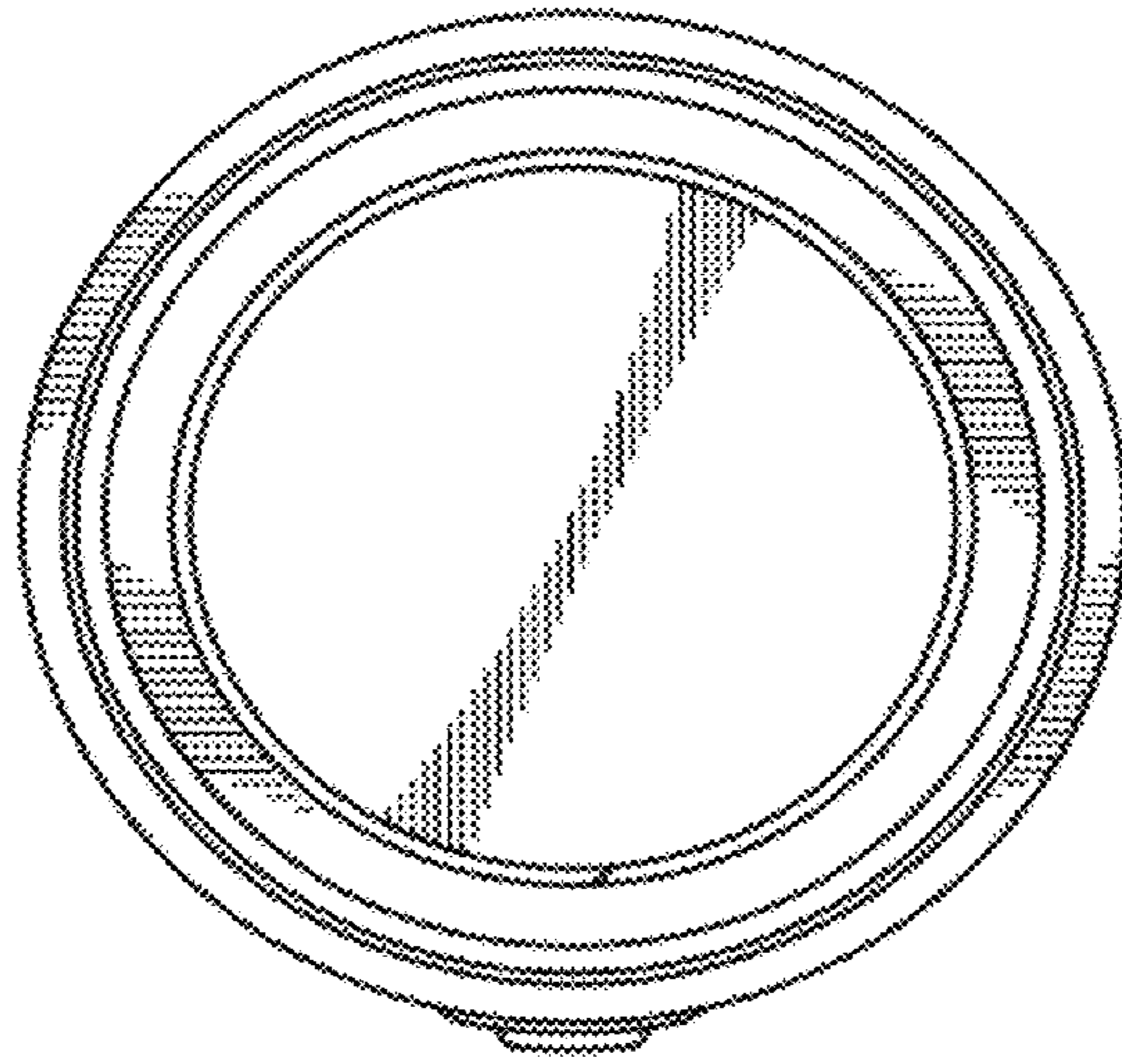


FIG. 7

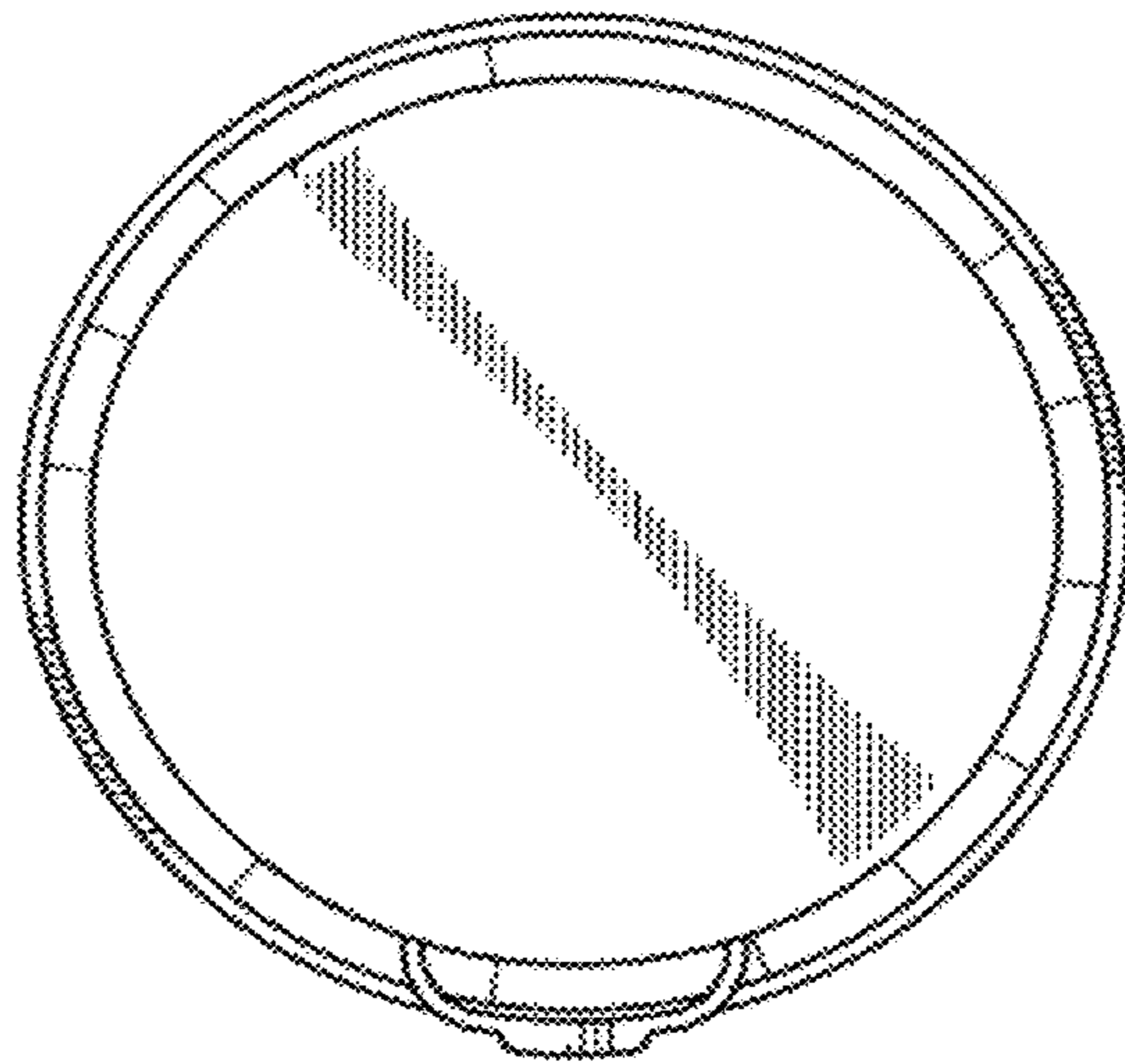


FIG. 8

