



US00D675097S

(12) **United States Design Patent**
Burke, Jr.

(10) **Patent No.:** **US D675,097 S**
(45) **Date of Patent:** **** Jan. 29, 2013**

(54) **CONTAINER CAP WITH PROTECTIVE COVER**

(76) Inventor: **Richard Million Burke, Jr.**, Westlake Village, CA (US)

(**) Term: **14 Years**

(21) Appl. No.: **29/386,498**

(22) Filed: **Mar. 1, 2011**

(51) **LOC (9) Cl.** **09-07**

(52) **U.S. Cl.** **D9/454; D9/436**

(58) **Field of Classification Search** D9/454,
D9/453, 452, 449, 447, 446, 445, 443, 435,
D9/434; D7/392.1; 215/365, 333, 252, 250,
215/228, 200; 220/288, 270, 257.2, 254.3,
220/277; D10/2, 15

See application file for complete search history.

(56) **References Cited**

U.S. PATENT DOCUMENTS

2,961,108	A	11/1960	Johnson	
4,261,656	A	4/1981	Wu	
D262,608	S *	1/1982	Drobshoff et al.	D10/15
D291,970	S *	9/1987	Downing et al.	D9/436
4,826,914	A	5/1989	Raedisch et al.	
5,030,686	A	7/1991	Holzer et al.	
5,268,136	A	12/1993	Girard et al.	
RE34,523	E	1/1994	Daude et al.	
5,334,178	A	8/1994	Haber et al.	
D351,797	S *	10/1994	White	D10/15
D379,767	S *	6/1997	Rowley	D10/2
D384,886	S *	10/1997	Plante	D9/436
5,798,409	A	8/1998	Ho	
6,065,623	A *	5/2000	Hierzer et al.	215/230
D427,068	S *	6/2000	Hierzer et al.	D9/436
6,694,596	B2 *	2/2004	Hierzer et al.	29/511
6,707,763	B2	3/2004	Osberg et al.	

OTHER PUBLICATIONS

<http://www.inventables.com/technologies/self-healing-plastic-sheet>, Website, downloaded on Feb. 25, 2011.

* cited by examiner

Primary Examiner — Susan Bennett Hattan

(74) *Attorney, Agent, or Firm* — Marc E. Hankin; Kevin Schraven; Hankin Patent Law, APC

(57) **CLAIM**

The ornamental design for a container cap with protective cover, as shown and described.

DESCRIPTION

FIG. 1 is an illustration of a front-top perspective view of the container cap with protective cover.

FIG. 2 is an illustration of a top view of the container cap with protective cover.

FIG. 3 is an illustration of a left-side view of the container cap with protective cover.

FIG. 4 is an illustration of the right-side view of the container cap with protective cover.

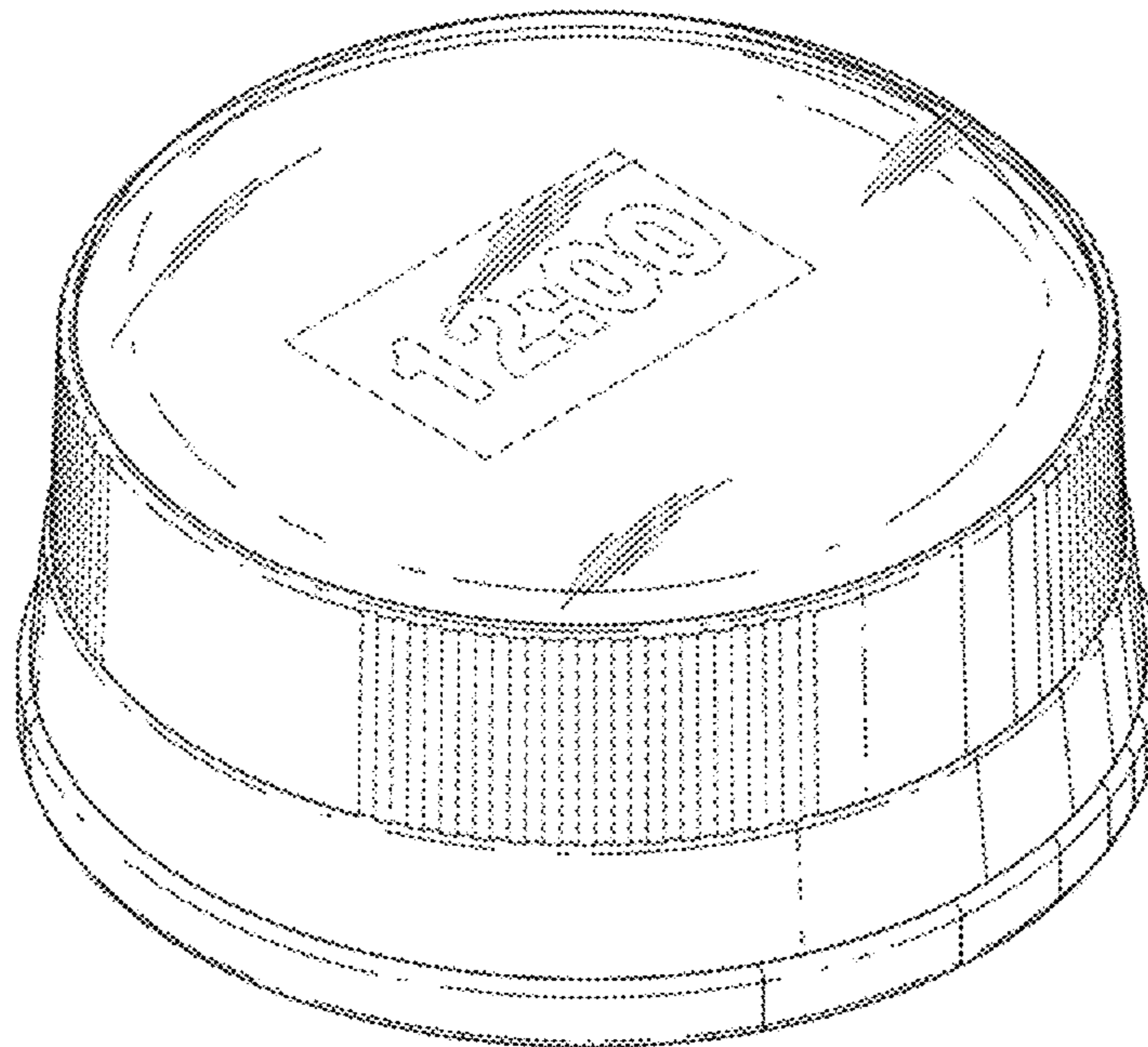
FIG. 5 is an illustration of the front-side view of the container cap with protective cover.

FIG. 6 is an illustration of the back-side view of the container cap with protective cover; and,

FIG. 7 is an illustration of a left-side view of the container cap with protective cover showing one possible environment related to the container cap with protective cover.

The broken lines shown in the drawings disclose one possible environment related to the claimed design and form no part of the claimed design.

1 Claim, 5 Drawing Sheets



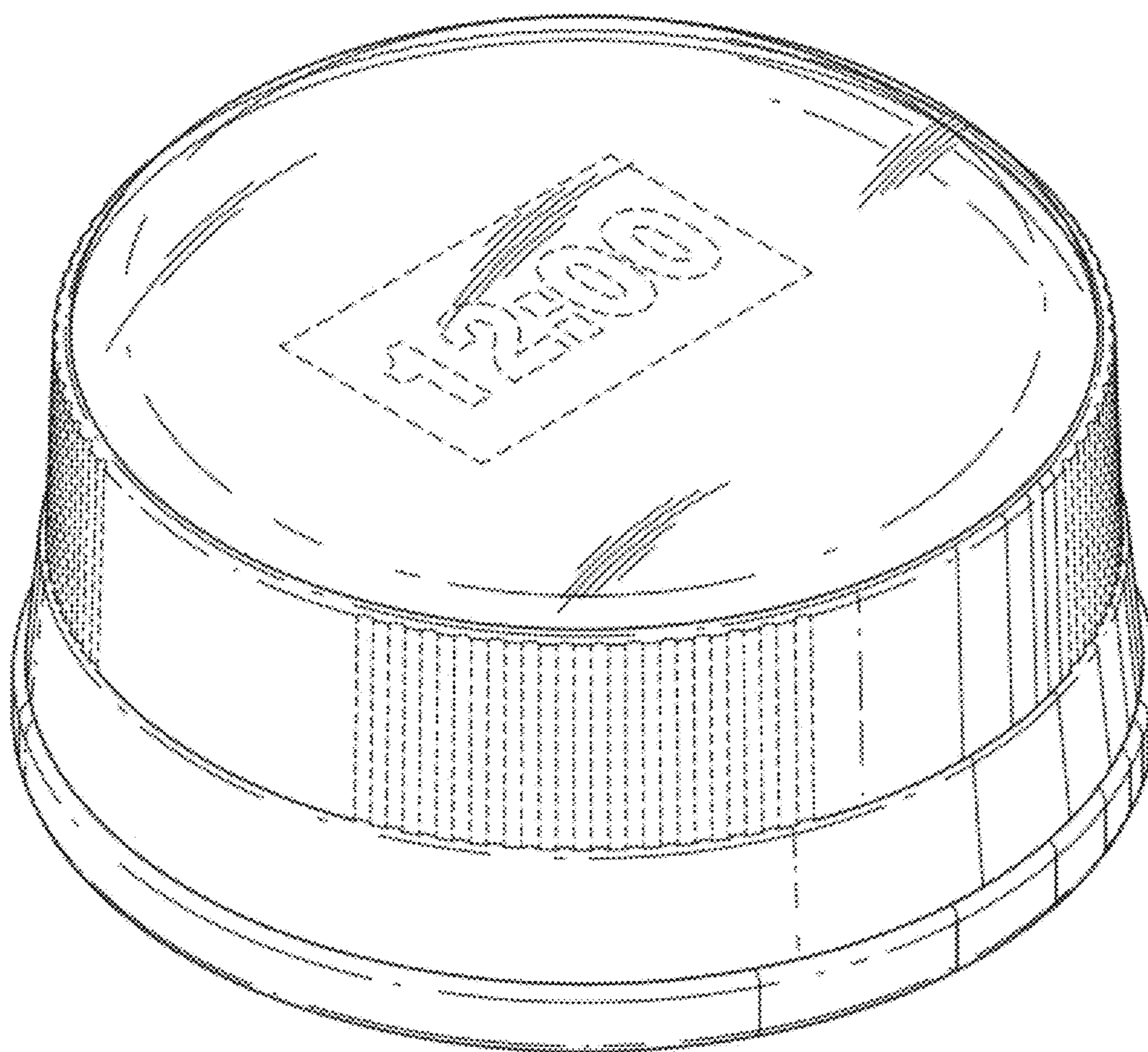


FIG. 1

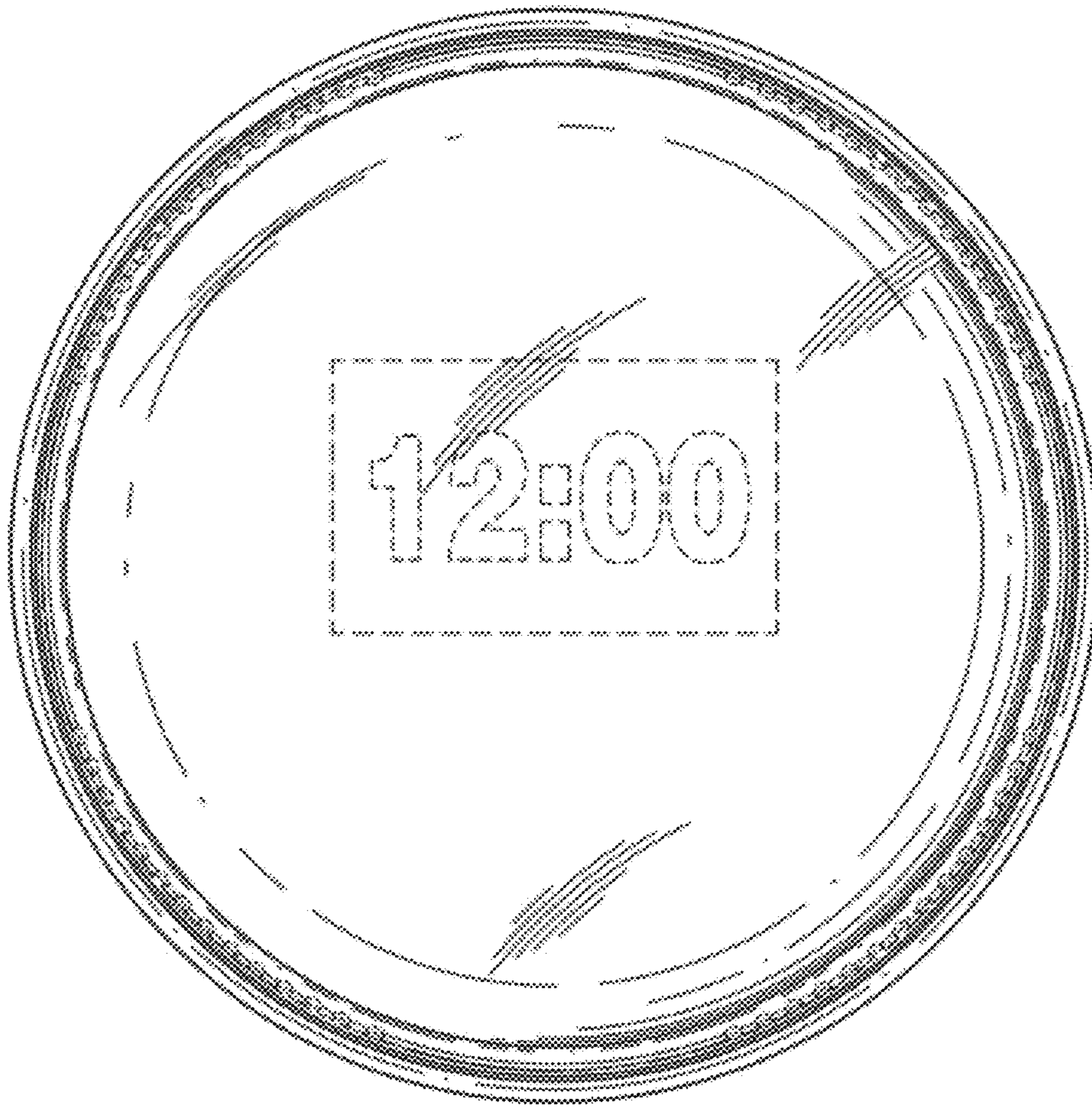


FIG. 2

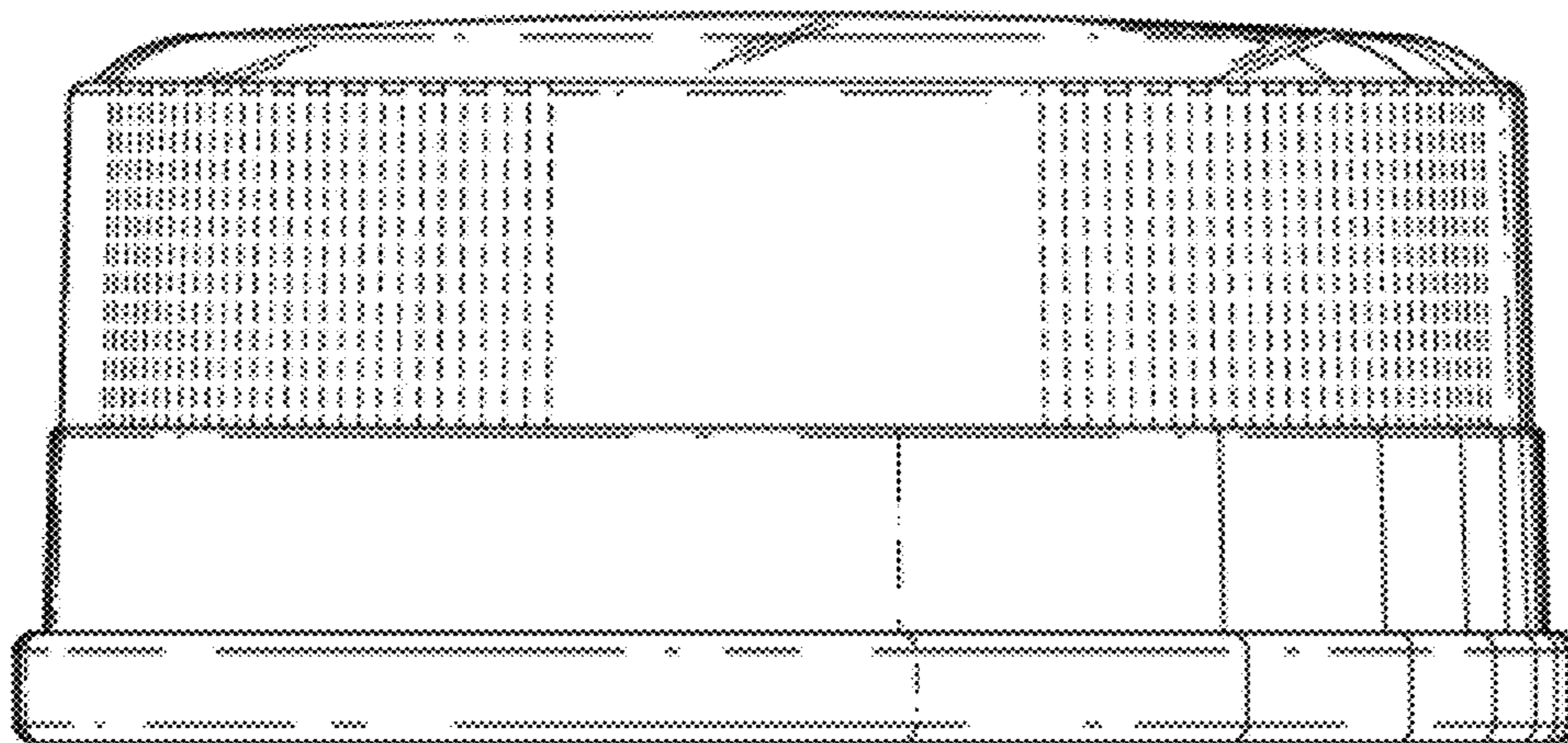


FIG. 3

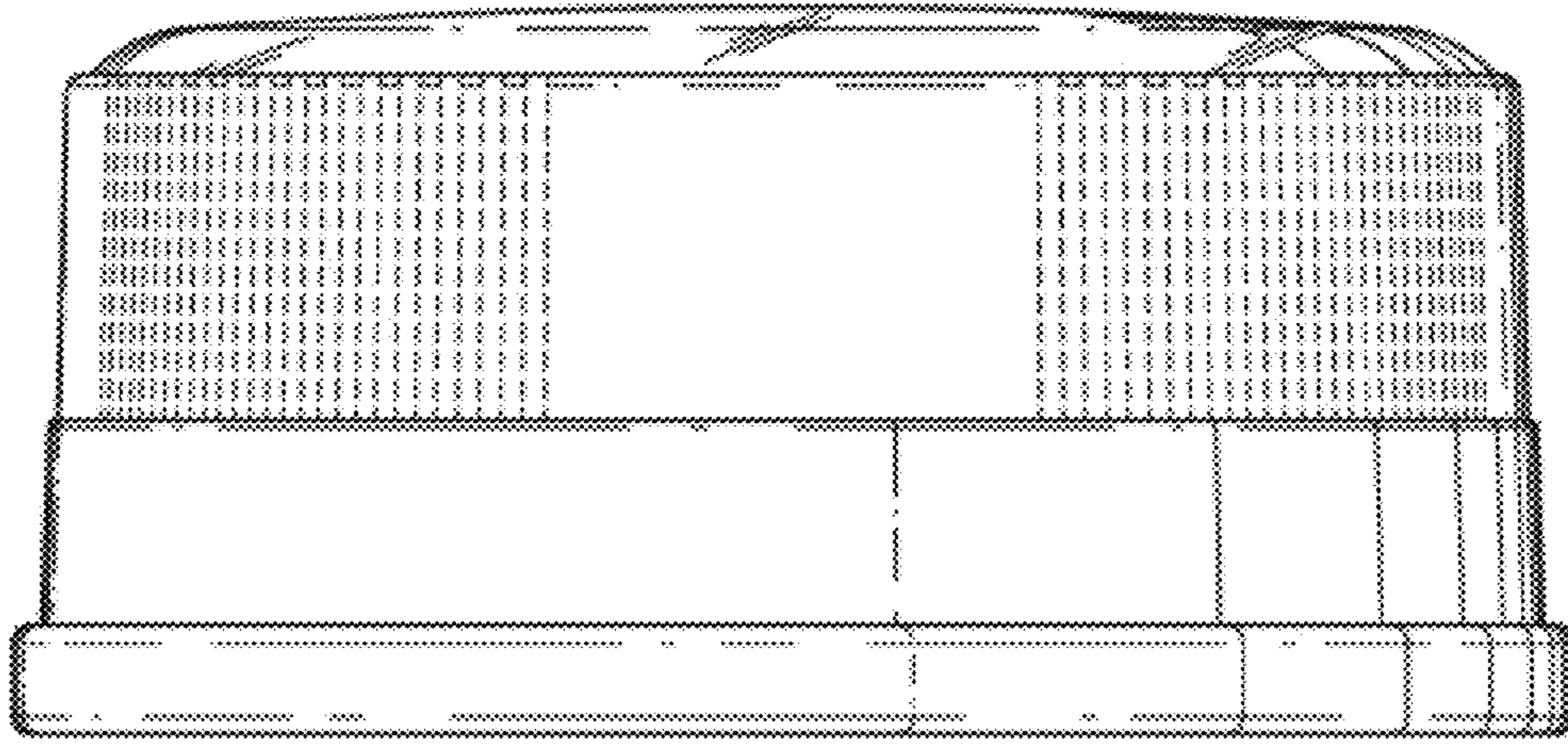


FIG. 4

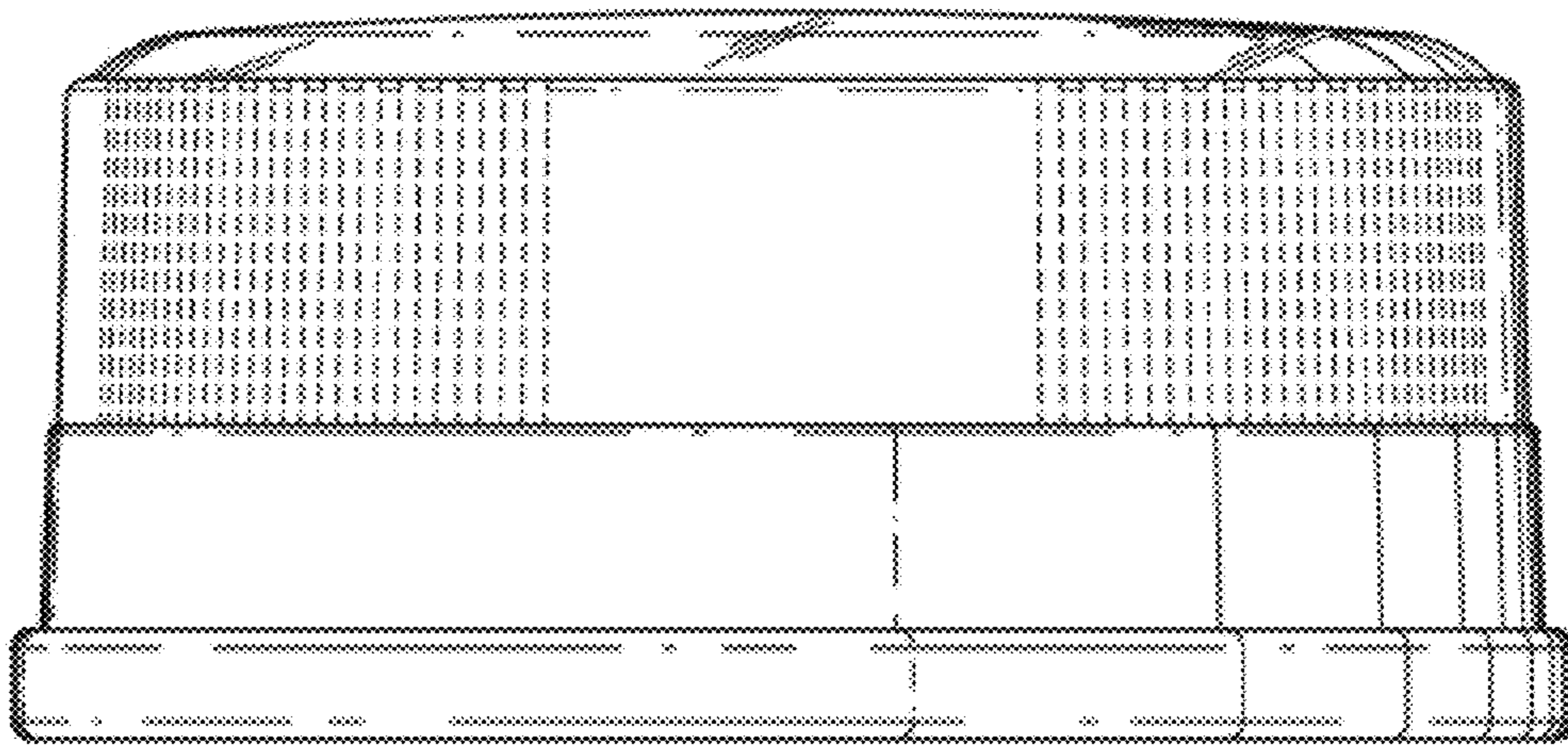


FIG. 5

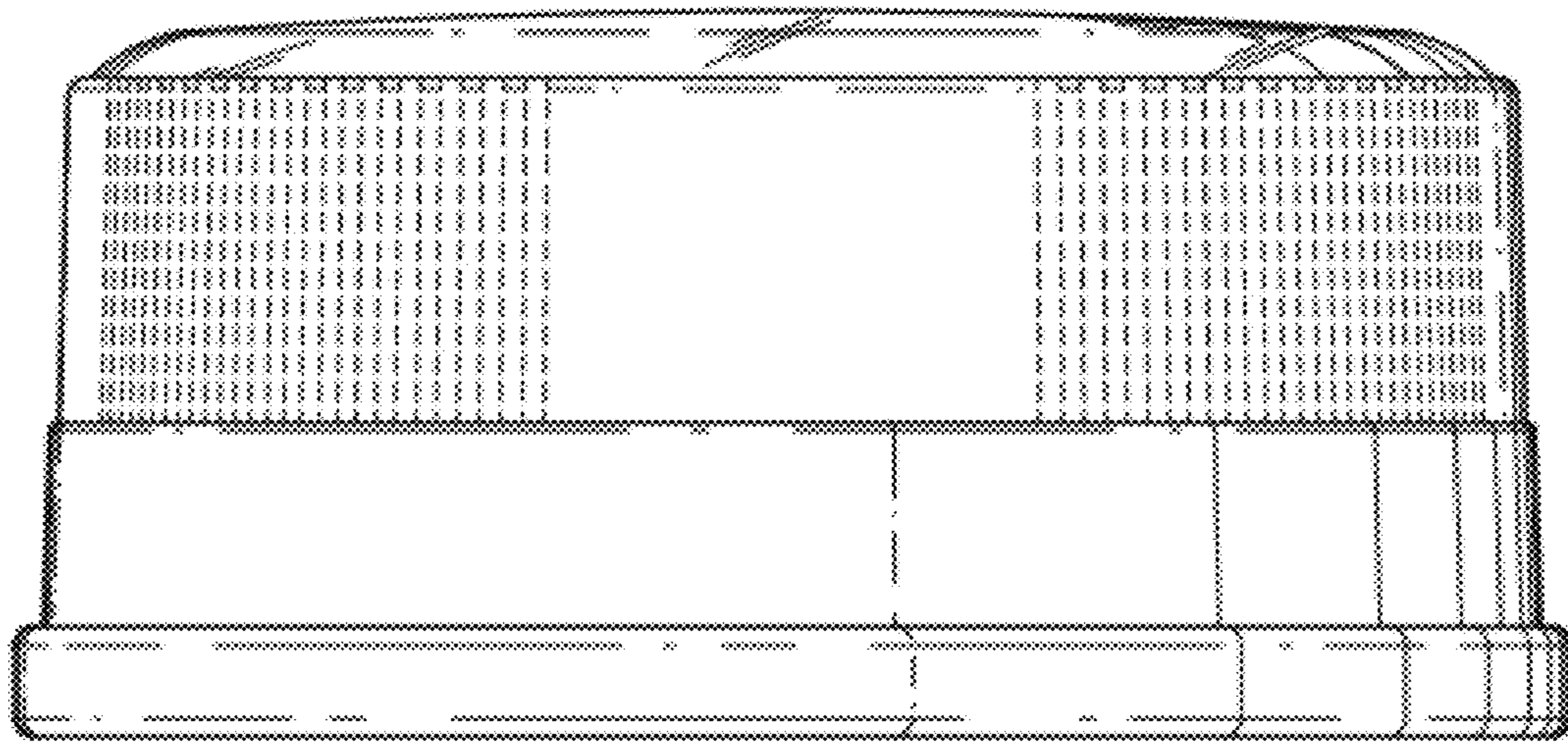


FIG. 6

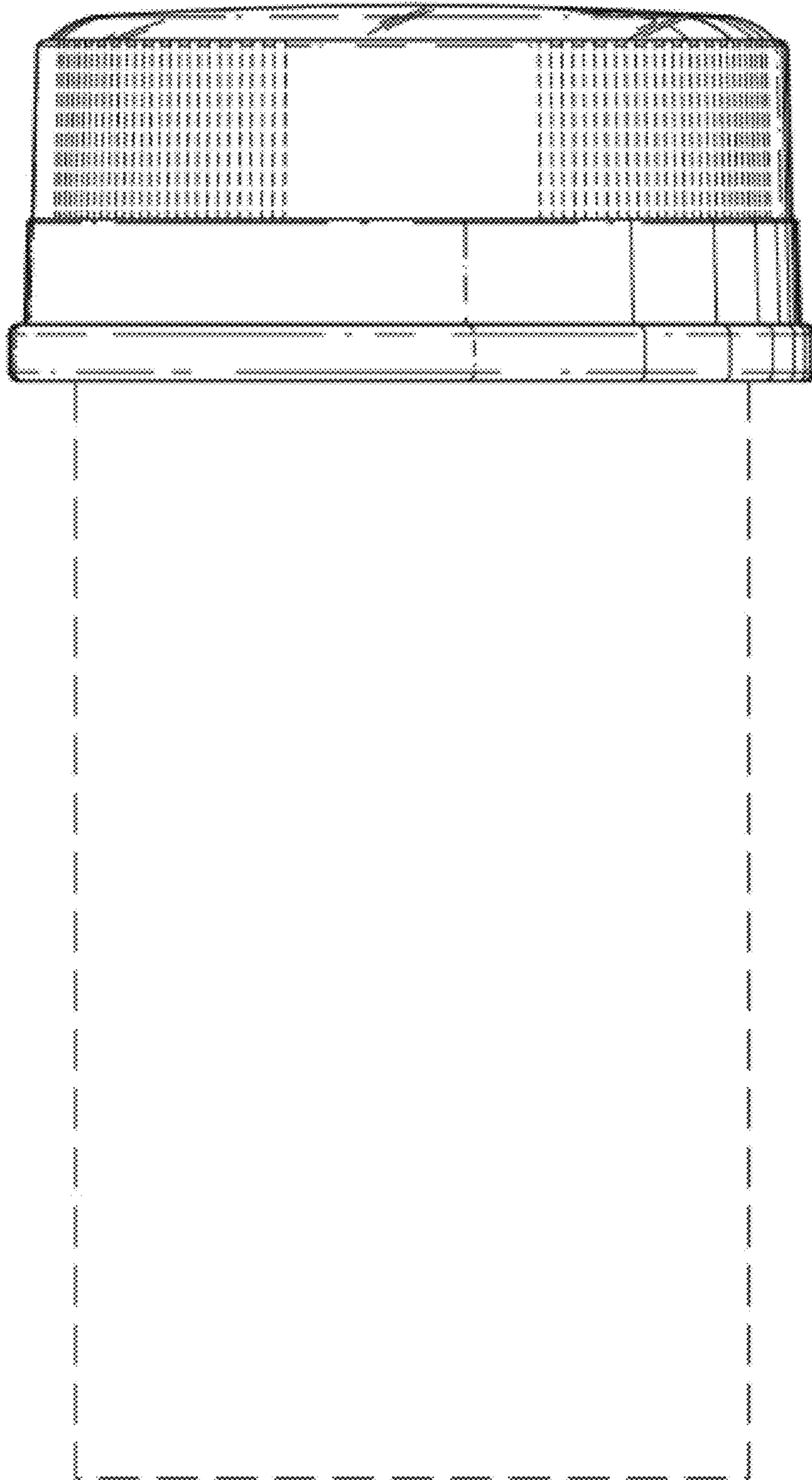


FIG. 7