



US00D675096S

(12) **United States Design Patent**
Obrist

(10) **Patent No.:** **US D675,096 S**

(45) **Date of Patent:** **** Jan. 29, 2013**

(54) **SCREW CAP**

(75) Inventor: **Manfred Obrist**, Lustenau (AT)

(73) Assignee: **Sulzer Mixpac AG**, Haag (CH)

(**) Term: **14 Years**

(21) Appl. No.: **29/394,881**

(22) Filed: **Jun. 22, 2011**

(30) **Foreign Application Priority Data**

Dec. 22, 2010	(EM)	001253207-0003
Dec. 22, 2010	(EM)	001253207-0004
Dec. 22, 2010	(EM)	001253207-0007
Dec. 22, 2010	(EM)	001253207-0008

(51) **LOC (9) Cl.** **09-07**

(52) **U.S. Cl.** **D9/453; D9/454**

(58) **Field of Classification Search** D9/454,
D9/453, 452, 449, 447, 446, 445, 443, 435,
D9/434; D7/392.1; 215/365, 333, 252, 250,
215/228, 200; 220/288, 270, 257.2, 254.3,
220/277

See application file for complete search history.

(56) **References Cited**

U.S. PATENT DOCUMENTS

D124,384	S	*	12/1940	Erlich	D9/453
D198,953	S	*	8/1964	Quintal	D9/453
D354,914	S	*	1/1995	Newman	D9/503
D457,432	S	*	5/2002	Peabody	D9/453
D461,127	S	*	8/2002	Peabody	D9/453
D542,133	S	*	5/2007	Haber et al.	D9/453
D612,731	S	*	3/2010	Bragg	D9/453
D631,351	S	*	1/2011	Coon	D9/453
D638,707	S	*	5/2011	Stoffers et al.	D9/453

* cited by examiner

Primary Examiner — Susan Bennett Hattan

(74) *Attorney, Agent, or Firm* — K&L Gates LLP

(57) **CLAIM**

The ornamental design for a screw cap, as shown and described.

DESCRIPTION

FIG. 1 illustrates a front perspective view of the screw cap showing my new design;
FIG. 2 illustrates a top elevation view thereof;
FIG. 3 illustrates a front elevation view thereof;
FIG. 4 illustrates a right side elevation view thereof;
FIG. 5 illustrates a back elevation view thereof;
FIG. 6 illustrates a left side elevation view thereof; and,
FIG. 7 illustrates a bottom elevation view thereof.
The broken lines in the drawings depict environmental subject matter only and form no part of the claimed design.

1 Claim, 4 Drawing Sheets

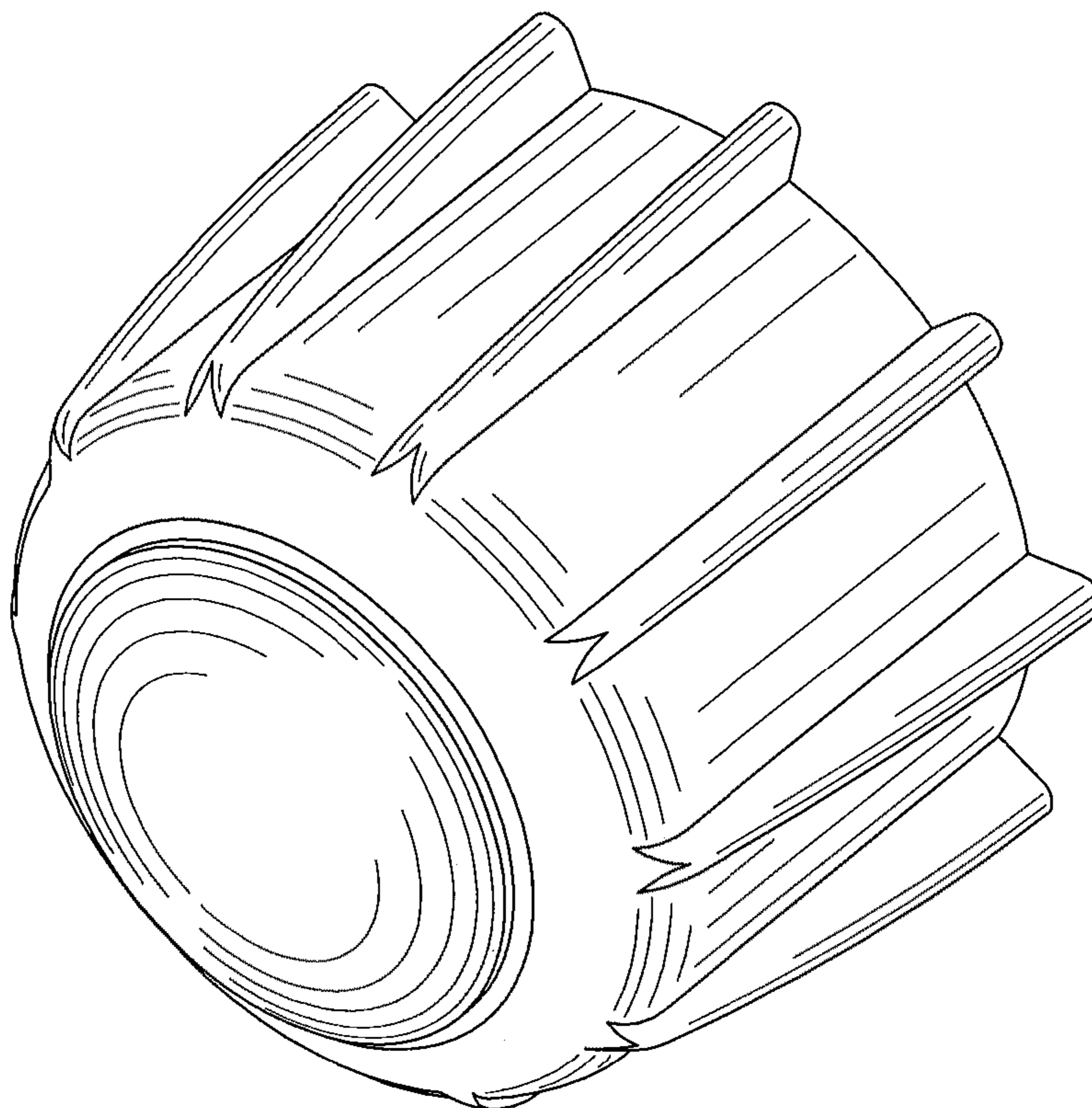


FIG. 1

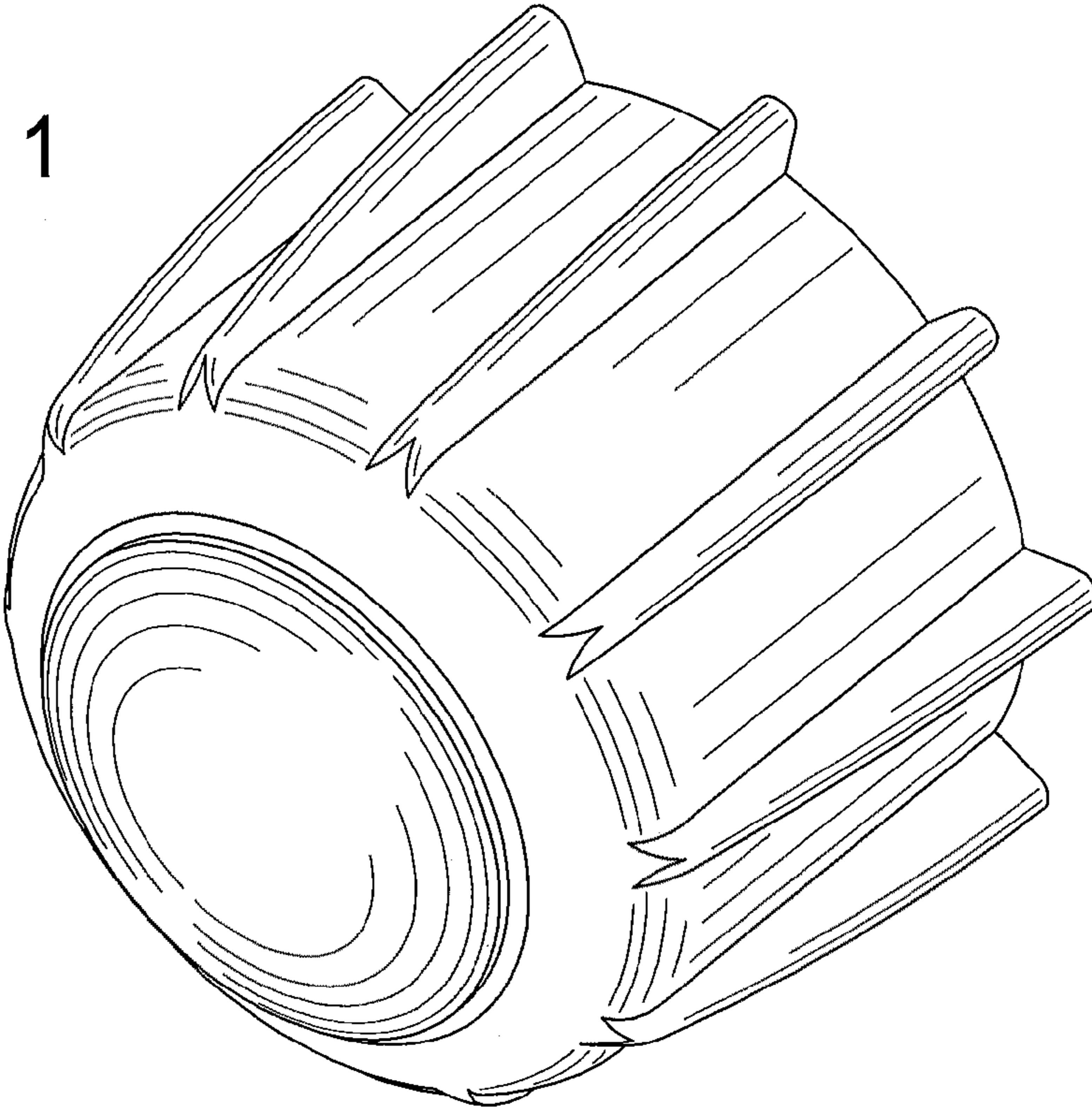


FIG. 2

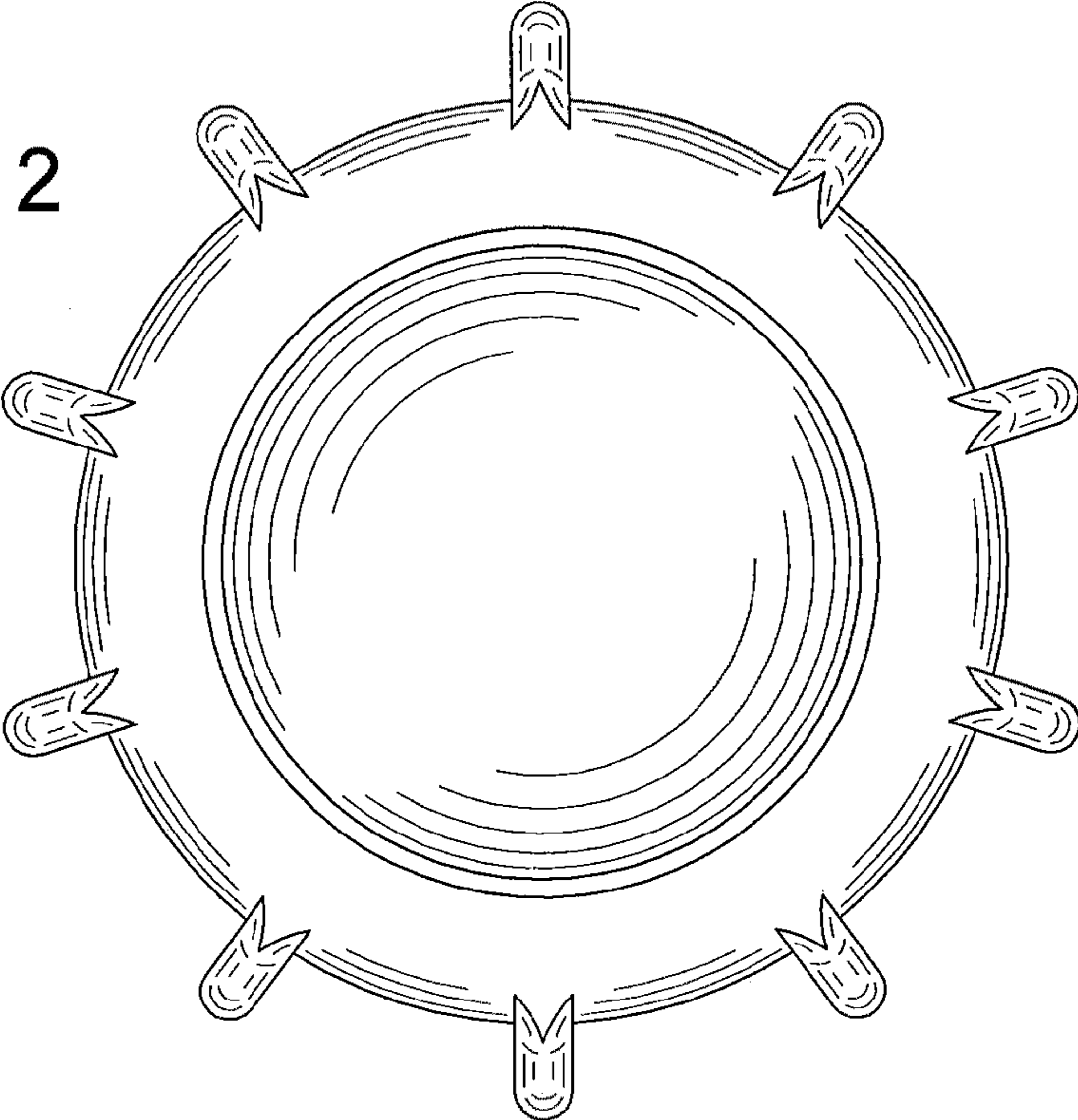


FIG. 3

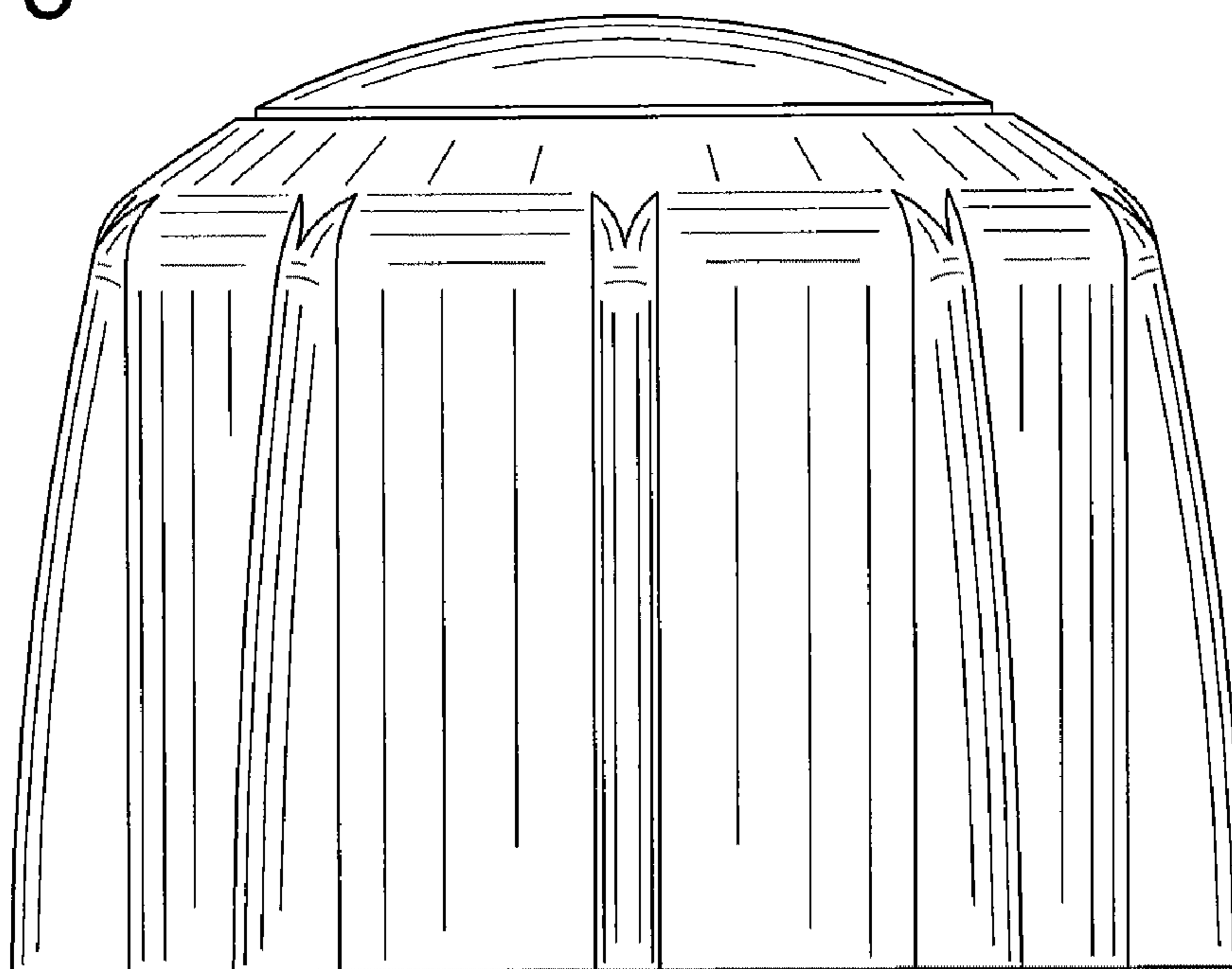


FIG. 4

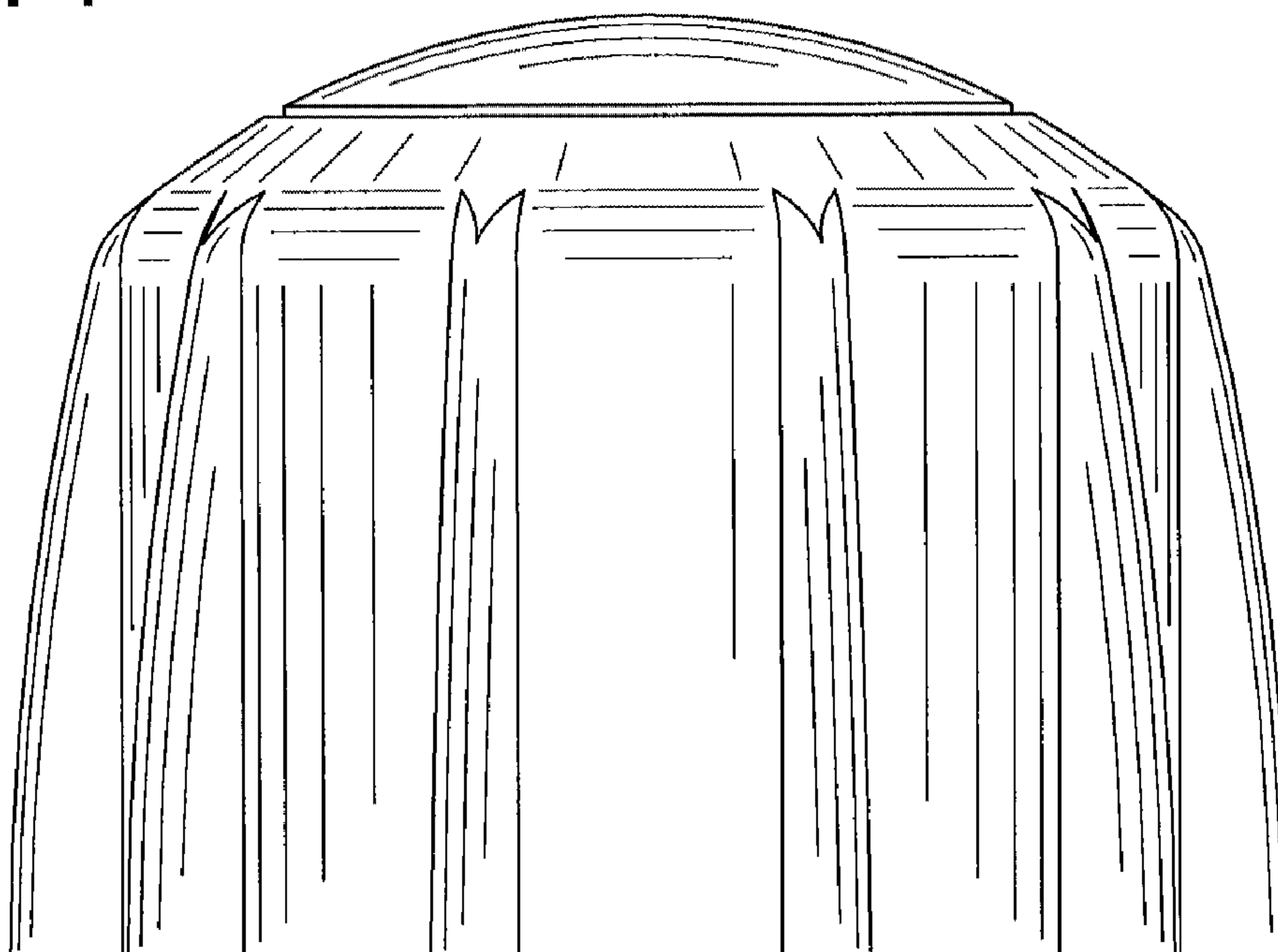


FIG. 5

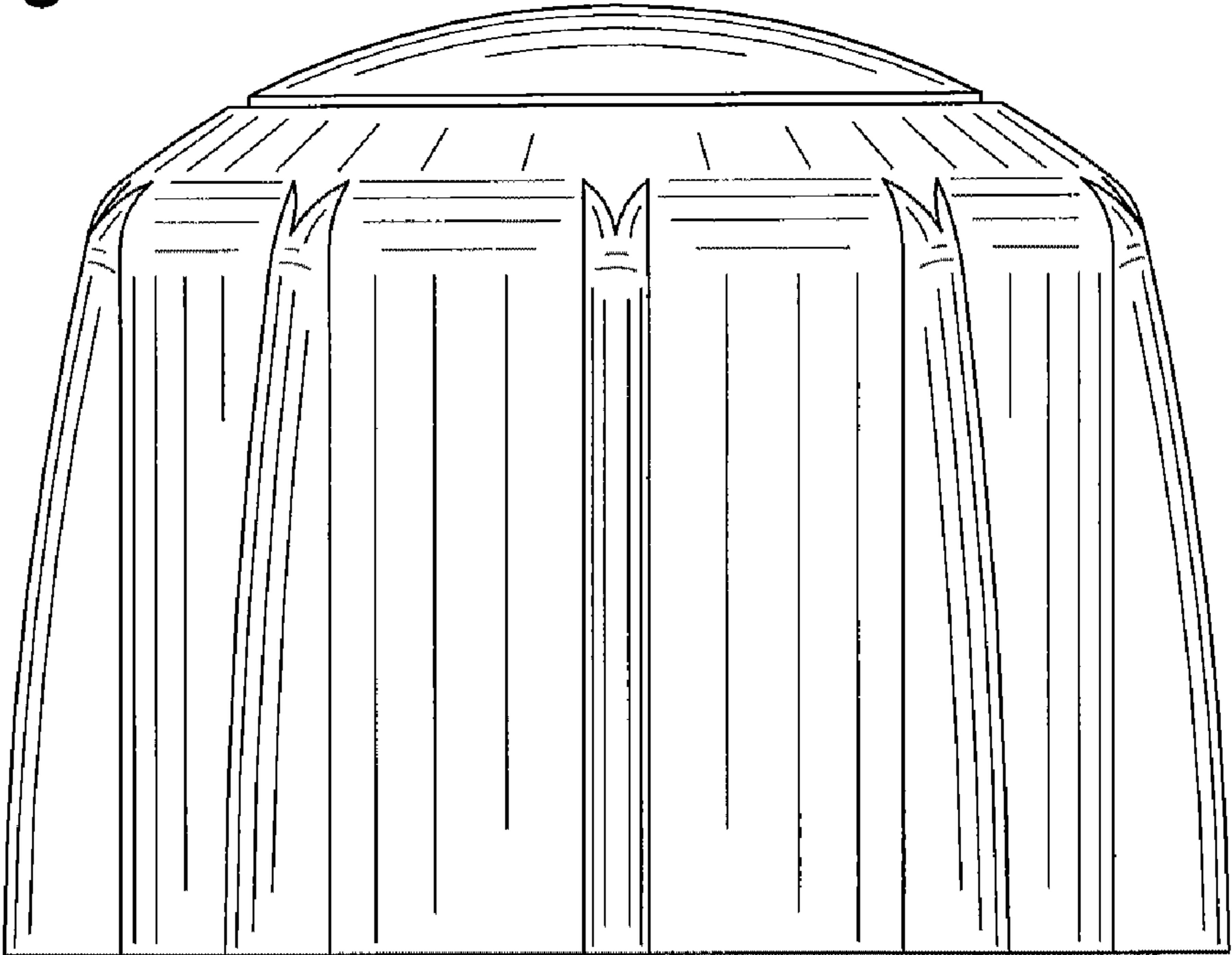


FIG. 6

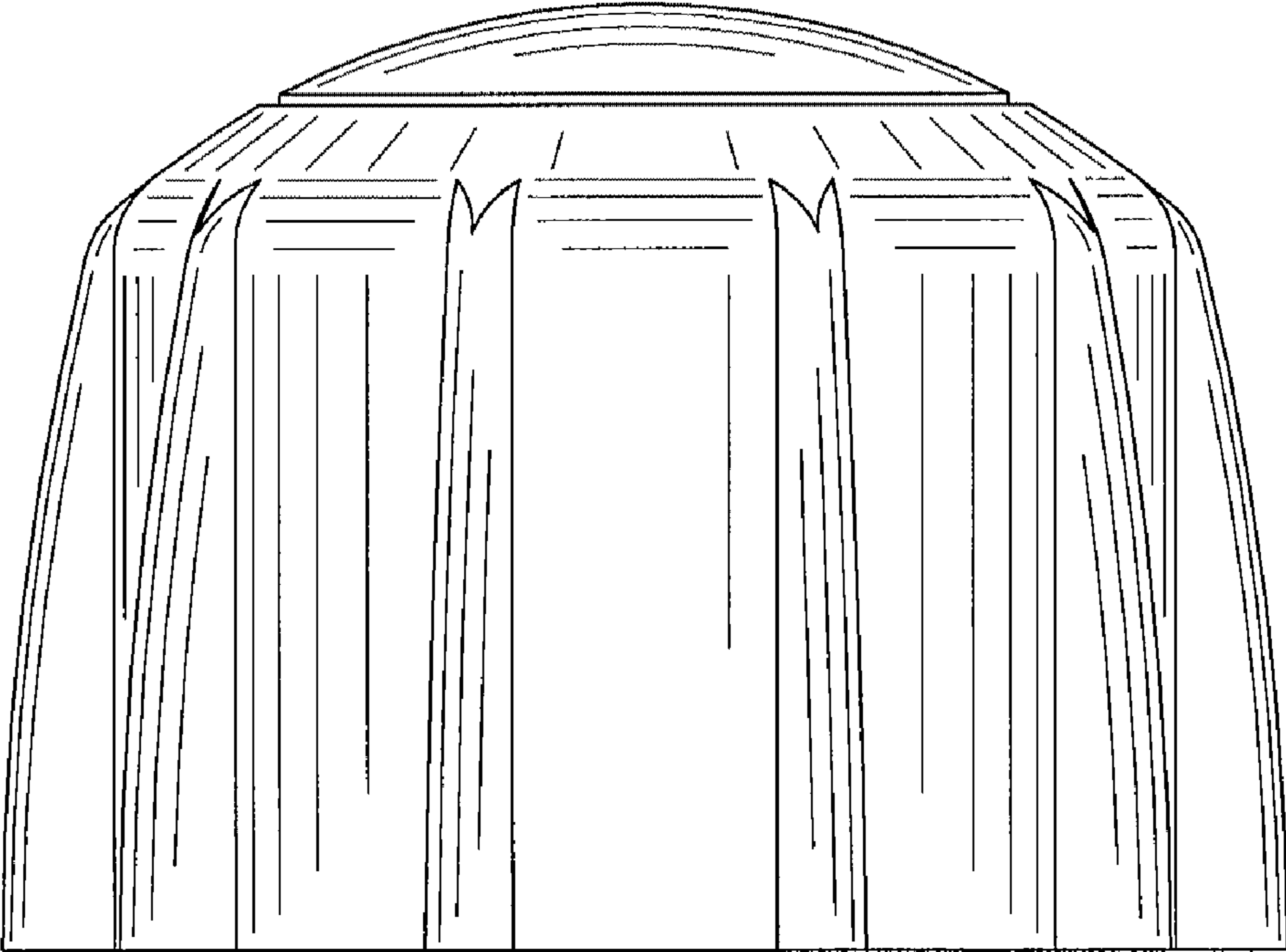


FIG. 7

