



US00D675094S

(12) **United States Design Patent**
Gotur et al.

(10) **Patent No.:** **US D675,094 S**

(45) **Date of Patent:** **** Jan. 29, 2013**

(54) **BOX**

(75) Inventors: **Kiran Bhaskar Gotur**, Singapore (SG);
Susannah Louise Strydom, Singapore
(SG); **El Ramos Matanguihan**,
Singapore (SG); **Ian Josiah Swanson**,
Singapore (SG); **Jacky Man Hin Ko**,
Tokyo (JP)

(73) Assignee: **The Procter & Gamble Company**,
Cincinnati, OH (US)

(**) Term: **14 Years**

(21) Appl. No.: **29/396,828**

(22) Filed: **Jul. 7, 2011**

(51) **LOC (9) Cl.** **09-07**

(52) **U.S. Cl.** **D9/434**

(58) **Field of Classification Search** D9/9, 339,
D9/414, 415, 420, 422, 423, 432, 434, 499,
D9/623, 658, 667, 721; 206/204, 233, 438,
206/440, 449, 494, 527, 821; 220/215.5,
220/810, 836, 890, 507; 221/69, 134, 154,
221/303

See application file for complete search history.

(56) **References Cited**

U.S. PATENT DOCUMENTS

D495,950 S *	9/2004	Cotert et al.	D9/721
D496,856 S *	10/2004	Cotert et al.	D9/721
D585,291 S	1/2009	Colatrella et al.	
D597,411 S	8/2009	Colatrella et al.	
D636,667 S *	4/2011	Barclay et al.	D9/432
D649,874 S *	12/2011	Barclay et al.	D9/432
D659,011 S *	5/2012	Lee	D9/623
D659,012 S *	5/2012	Subler	D9/658
D661,184 S *	6/2012	Barrett et al.	D9/434
D661,200 S *	6/2012	Subler	D9/667

* cited by examiner

Primary Examiner — Susan Bennett Hattan

Assistant Examiner — Barbara B Lohr

(57) **CLAIM**

The ornamental design for box, as shown and described.

DESCRIPTION

FIG. 1 is a perspective view of box, embodying our new design;

FIG. 2 is a top plan view thereof;

FIG. 3 is a bottom view thereof;

FIG. 4 is a left side view thereof;

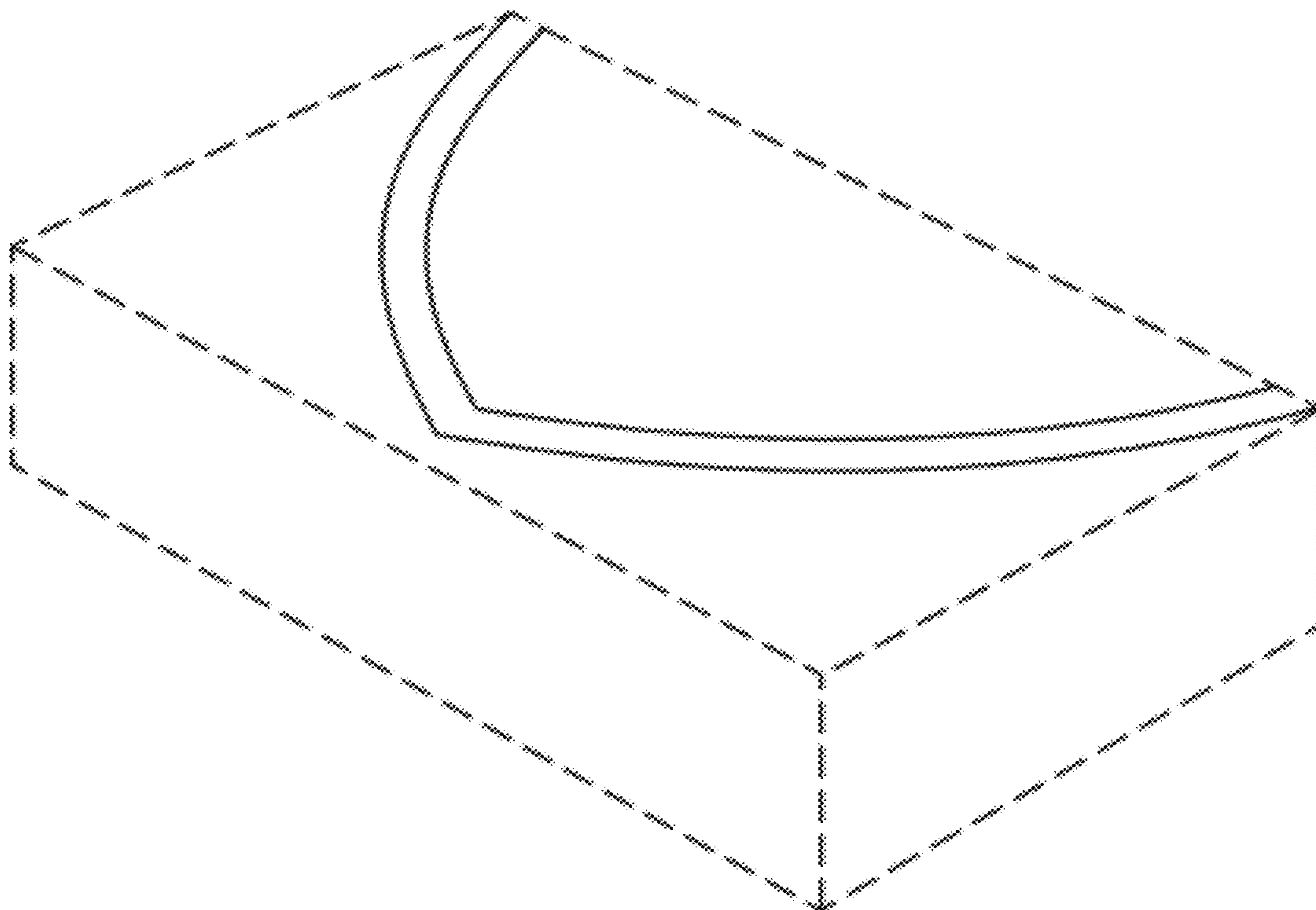
FIG. 5 is a right side view thereof;

FIG. 6 is a front view thereof; and,

FIG. 7 is a back view thereof.

The broken lines shown in the drawings are for illustrative purposes only and form no part of the claimed design.

1 Claim, 3 Drawing Sheets



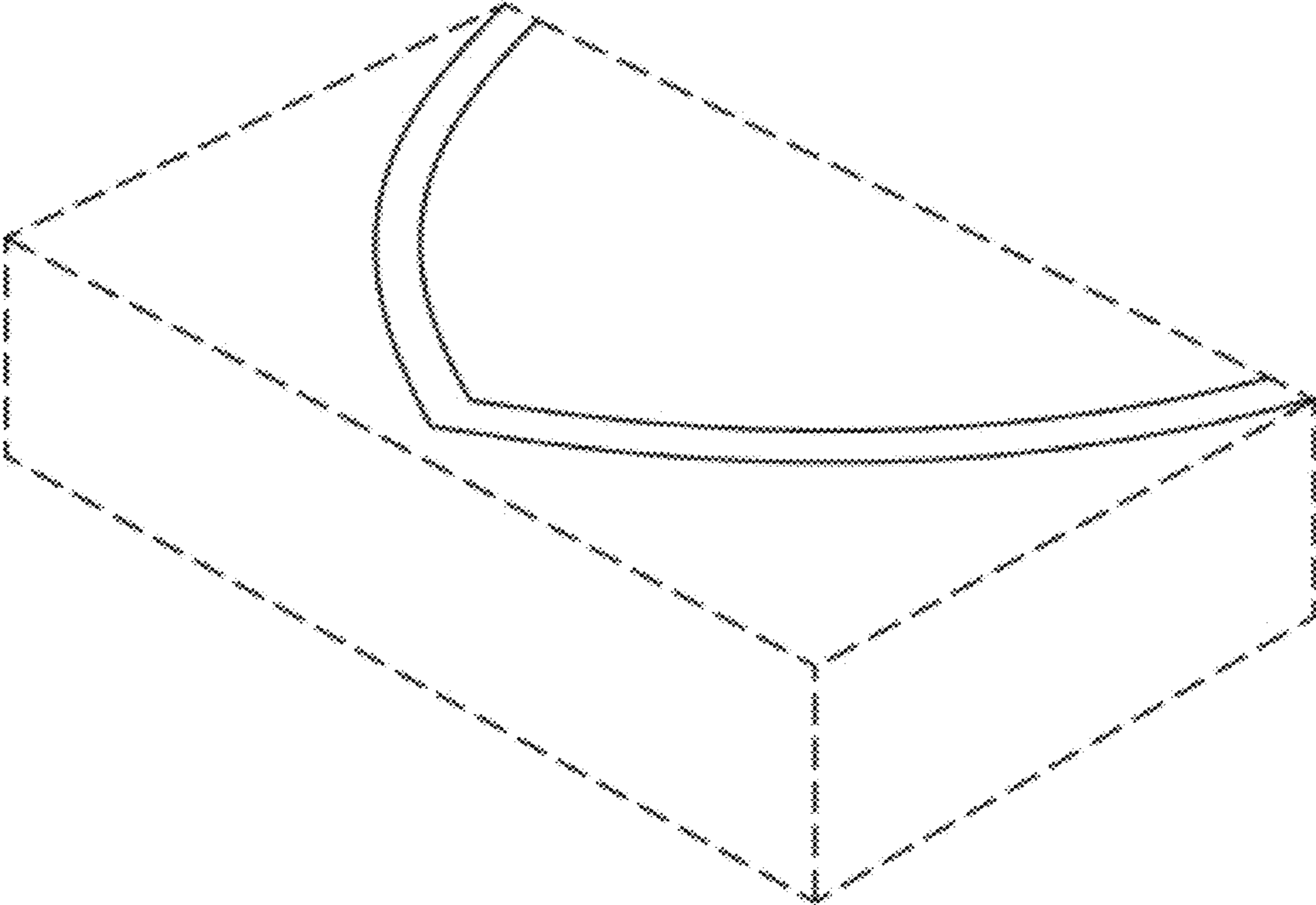


Fig. 1

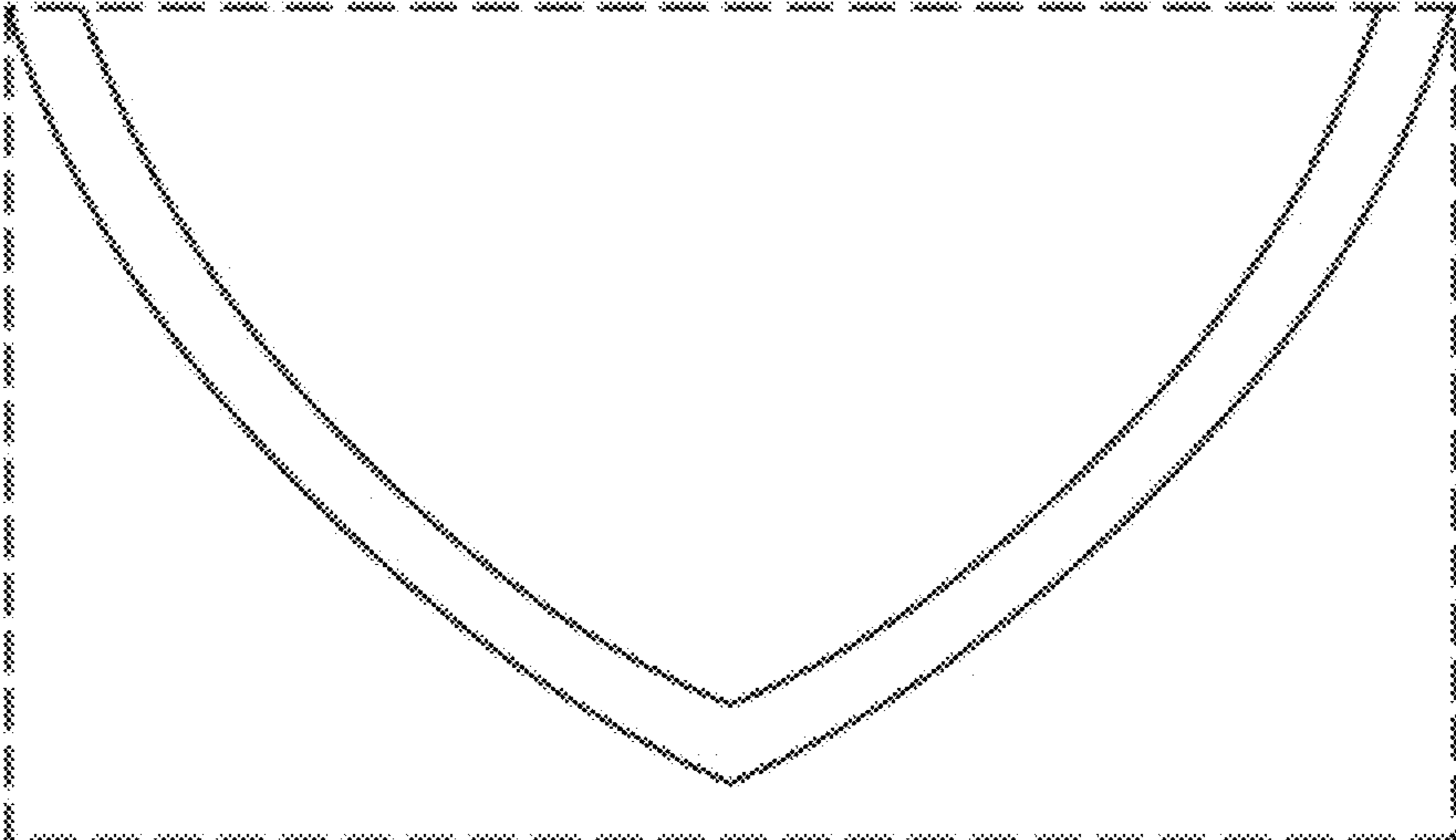


Fig. 2



Fig. 3



Fig. 4



Fig. 5



Fig. 6

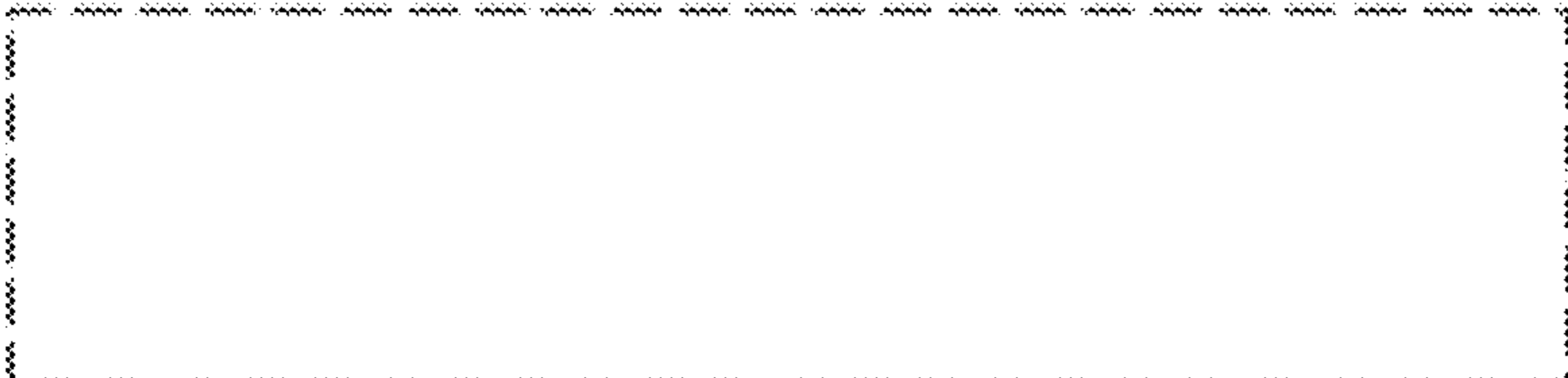


Fig. 7