



US00D675093S

(12) **United States Design Patent**
Hughes et al.

(10) **Patent No.:** **US D675,093 S**
(45) **Date of Patent:** **** Jan. 29, 2013**

(54) **ABSORBENT ARTICLE PACKAGE**

D659,012 S * 5/2012 Subler D9/658
D661,184 S * 6/2012 Barrett et al. D9/434
D661,200 S * 6/2012 Subler D9/667

(75) Inventors: **Jeanne Marie Hughes**, Loveland, OH (US); **Nancy Deters Slayton**, Springfield Township, OH (US); **Margeaux Anne Ungers**, Cincinnati, OH (US)

(73) Assignee: **The Procter & Gamble Company**, Cincinnati, OH (US)

(**) Term: **14 Years**

(21) Appl. No.: **29/396,140**

(22) Filed: **Jun. 27, 2011**

(51) **LOC (9) Cl.** **09-07**

(52) **U.S. Cl.** **D9/434**

(58) **Field of Classification Search** D9/9, 339, D9/414, 415, 420, 422, 423, 432, 434, 499, D9/623, 658, 667, 721; 206/204, 233, 438, 206/440, 449, 494, 527, 821; 220/215.5, 220/810, 836, 890, 507; 221/69, 134, 154, 221/303

See application file for complete search history.

(56) **References Cited**

U.S. PATENT DOCUMENTS

D495,950 S * 9/2004 Cotert et al. D9/721
D496,856 S * 10/2004 Cotert et al. D9/721
D636,667 S * 4/2011 Barclay et al. D9/432
D649,874 S * 12/2011 Barclay et al. D9/432
D659,011 S * 5/2012 Lee D9/623

OTHER PUBLICATIONS

<http://www.sca.com/en/Press/News-features/Archive/2009/Lucky-upgrade-for-Libra-tampon-packs/>, "Lucky" upgrade for Libra tampon packs, Nov. 4, 2011.

* cited by examiner

Primary Examiner — Susan Bennett Hattan

Assistant Examiner — Barbara B Lohr

(74) *Attorney, Agent, or Firm* — Andrew J. Hagerty

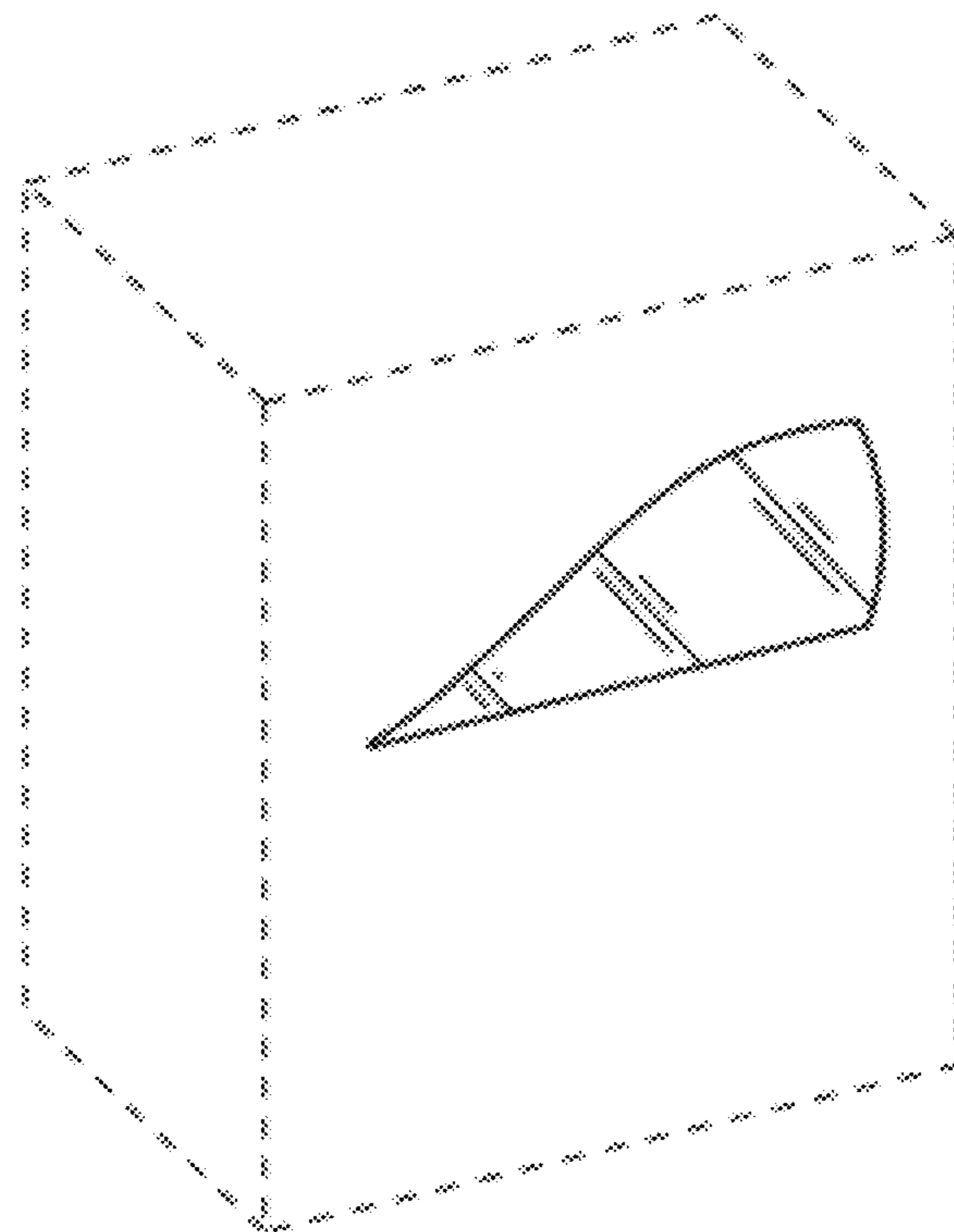
(57) **CLAIM**

The ornamental design for an absorbent article package, as shown and described.

DESCRIPTION

FIG. 1 is a perspective front view of a windowed absorbent article package embodying the new design; FIG. 2 is a front view of the design shown in FIG. 1; FIG. 3 is a rear view of the design shown in FIG. 1; FIG. 4 is a ride side view of the design shown in FIG. 1; FIG. 5 is a left side view of the design shown in FIG. 1; FIG. 6 is a top view of the design shown in FIG. 1; and, FIG. 7 is a bottom view of the design shown in FIG. 1. Broken lines shown in the figures depict environment subject matter only and form no part of the claimed design.

1 Claim, 4 Drawing Sheets



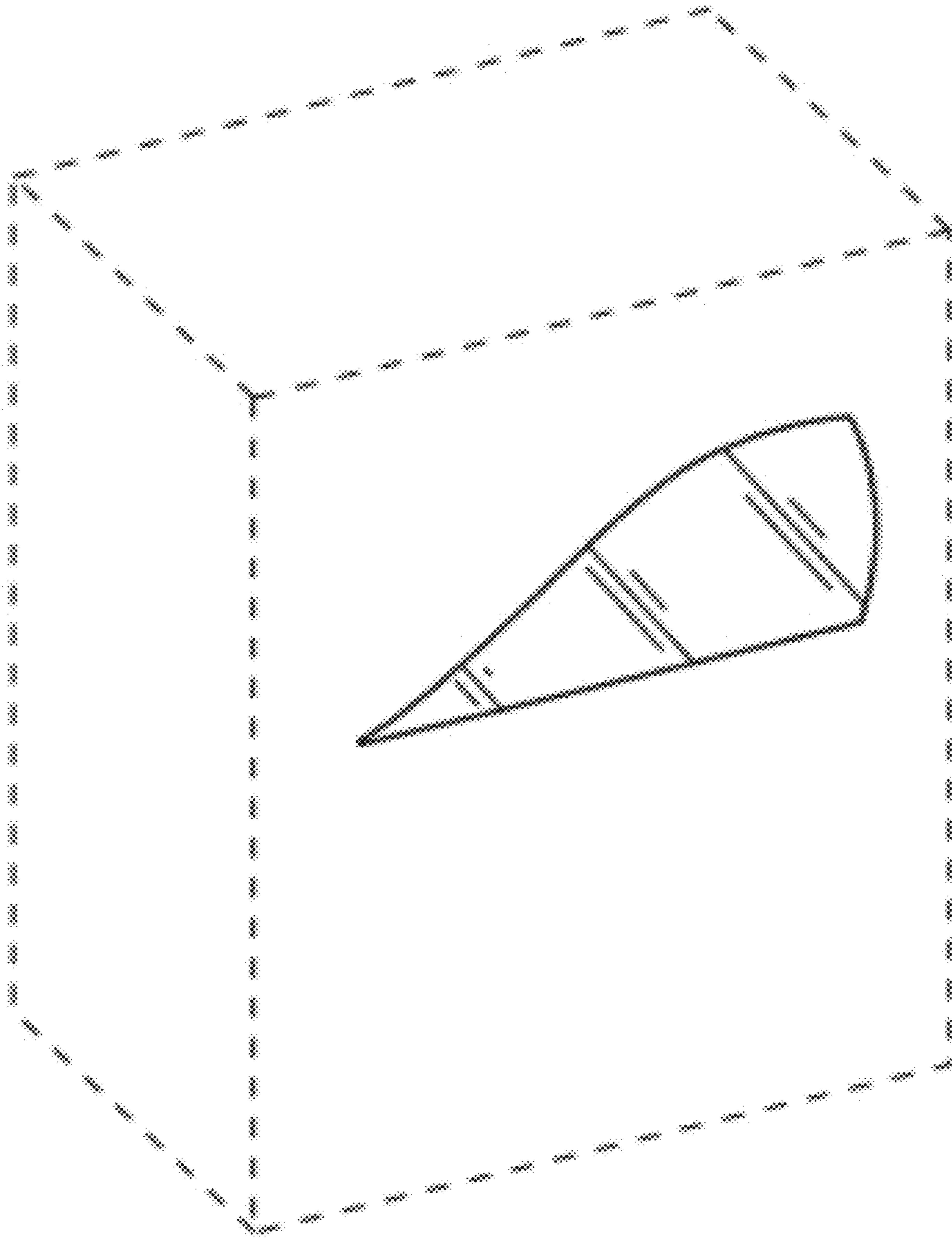


Fig. 1

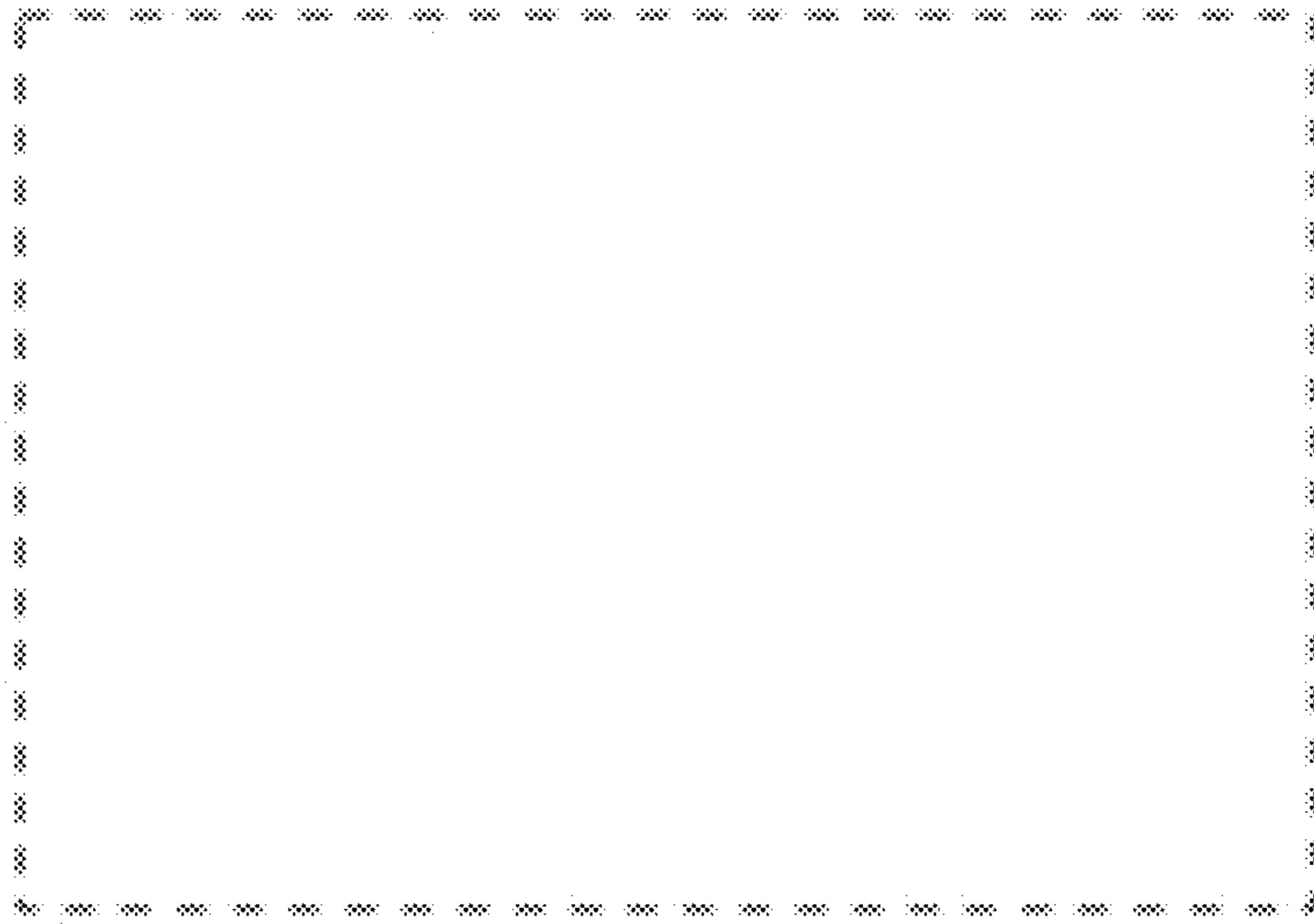


Fig. 3

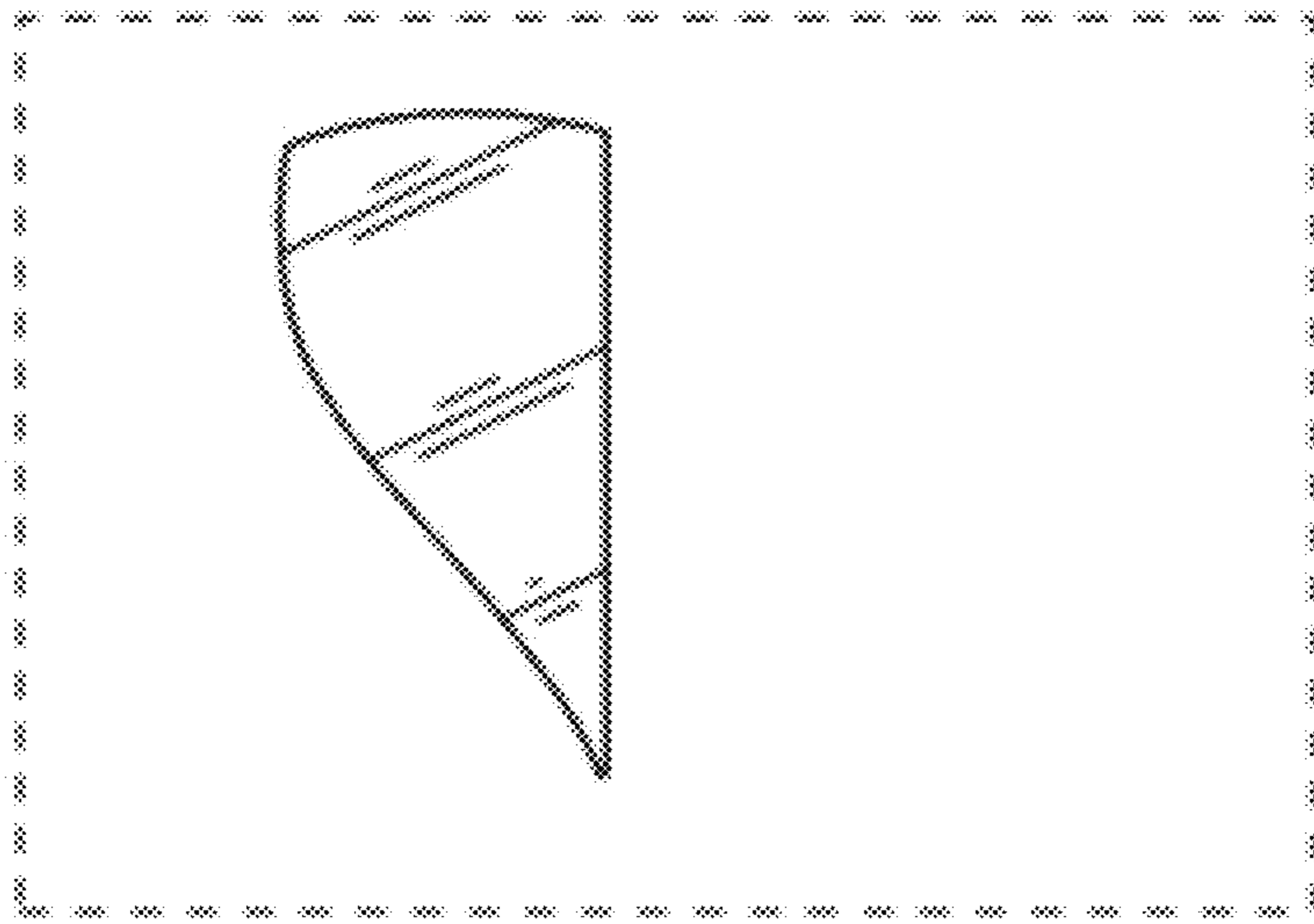


Fig. 2

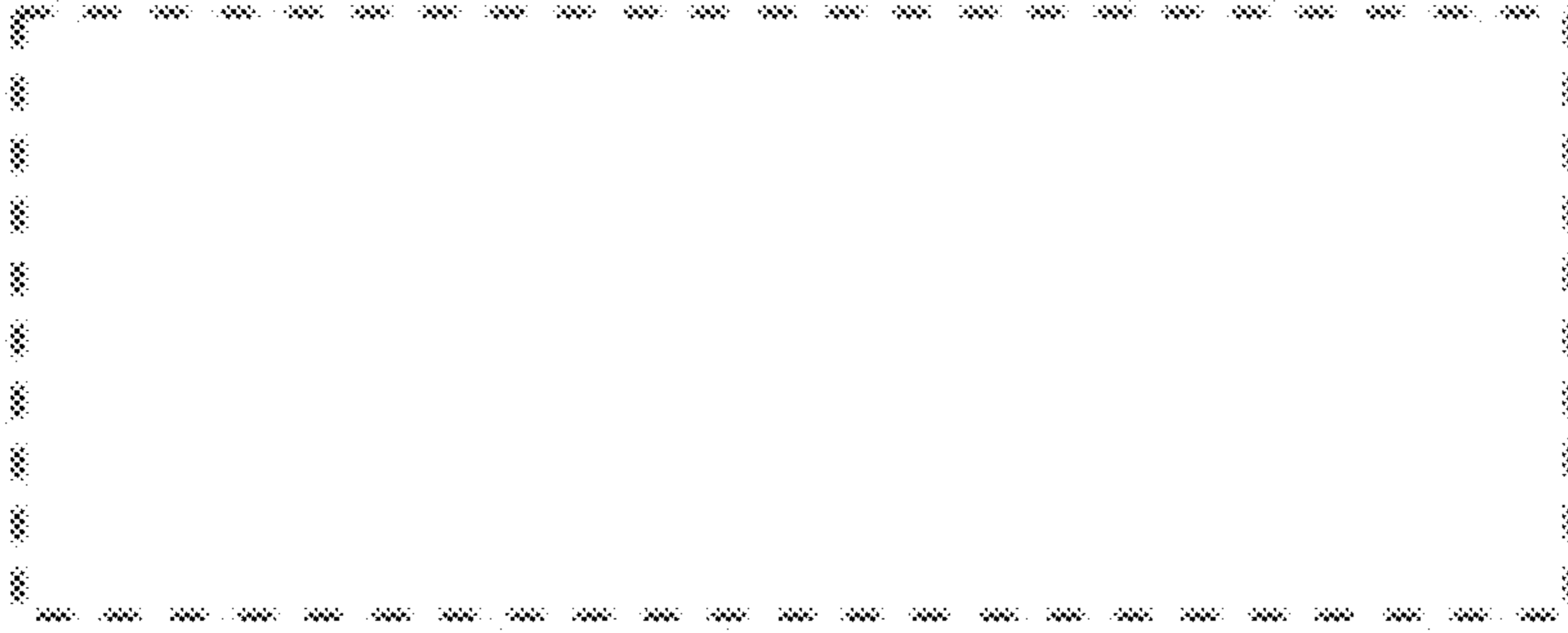


Fig. 5

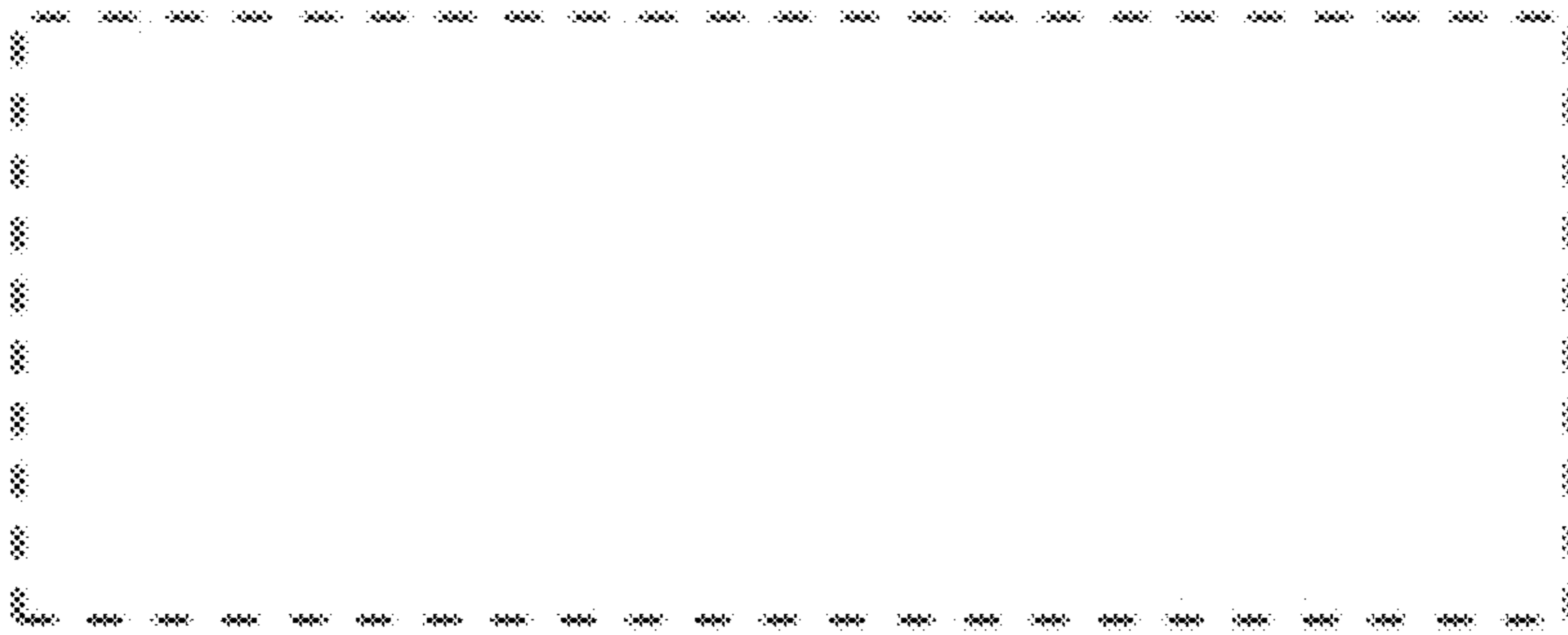


Fig. 4



Fig. 6



Fig. 7