

US00D675092S

(12) **United States Design Patent**  
**Sill**

(10) **Patent No.:** **US D675,092 S**

(45) **Date of Patent:** **\*\* Jan. 29, 2013**

(54) **CLOSEABLE CARTON**

(75) Inventor: **Jonathan D. Sill**, Powell, OH (US)

(73) Assignee: **Inno-Pak, LLC**, Delaware, OH (US)

(\*\*) Term: **14 Years**

(21) Appl. No.: **29/422,046**

(22) Filed: **May 16, 2012**

(51) **LOC (9) Cl.** ..... **09-03**

(52) **U.S. Cl.** ..... **D9/431**

(58) **Field of Classification Search** ..... D9/414,  
D9/416, 418, 420-424, 430-433; D3/272;  
206/267, 269, 270, 273, 299, 421, 454, 457,  
206/737, 740, 822, 775-778, 784; 229/100,  
229/101, 101.3, 106, 108-122, 114-117,  
229/117.05-117.09, 117.24, 117.26, 221,  
229/222, 227, 902, 939, 941, 942  
See application file for complete search history.

(56) **References Cited**

**U.S. PATENT DOCUMENTS**

1,923,774	A *	8/1933	Coyle	.....	229/198.1
2,034,809	A *	3/1936	Grant	.....	206/303
2,091,664	A *	8/1937	Walsh	.....	206/521.9
2,118,821	A *	5/1938	Ringler	.....	446/77
D136,489	S *	10/1943	Geffner	.....	D9/430
2,572,610	A *	10/1951	Gilbert	.....	229/126
D190,772	S *	6/1961	Cuyler	.....	D9/418
D191,145	S *	8/1961	Cesareo	.....	D9/418
4,105,155	A *	8/1978	Forbes, Jr.	.....	229/120

D273,179	S *	3/1984	Shore	.....	D9/432
5,494,214	A *	2/1996	Fleury et al.	.....	229/149
D447,685	S *	9/2001	Chagnon et al.	.....	D9/416
D462,903	S *	9/2002	Yuen	.....	D9/432
D570,210	S *	6/2008	McGrath	.....	D9/418
D600,110	S *	9/2009	Cain	.....	D9/418

\* cited by examiner

*Primary Examiner* — Robert M Spear

*Assistant Examiner* — Vy Koenig

(74) *Attorney, Agent, or Firm* — Ward and Smith, P.A.

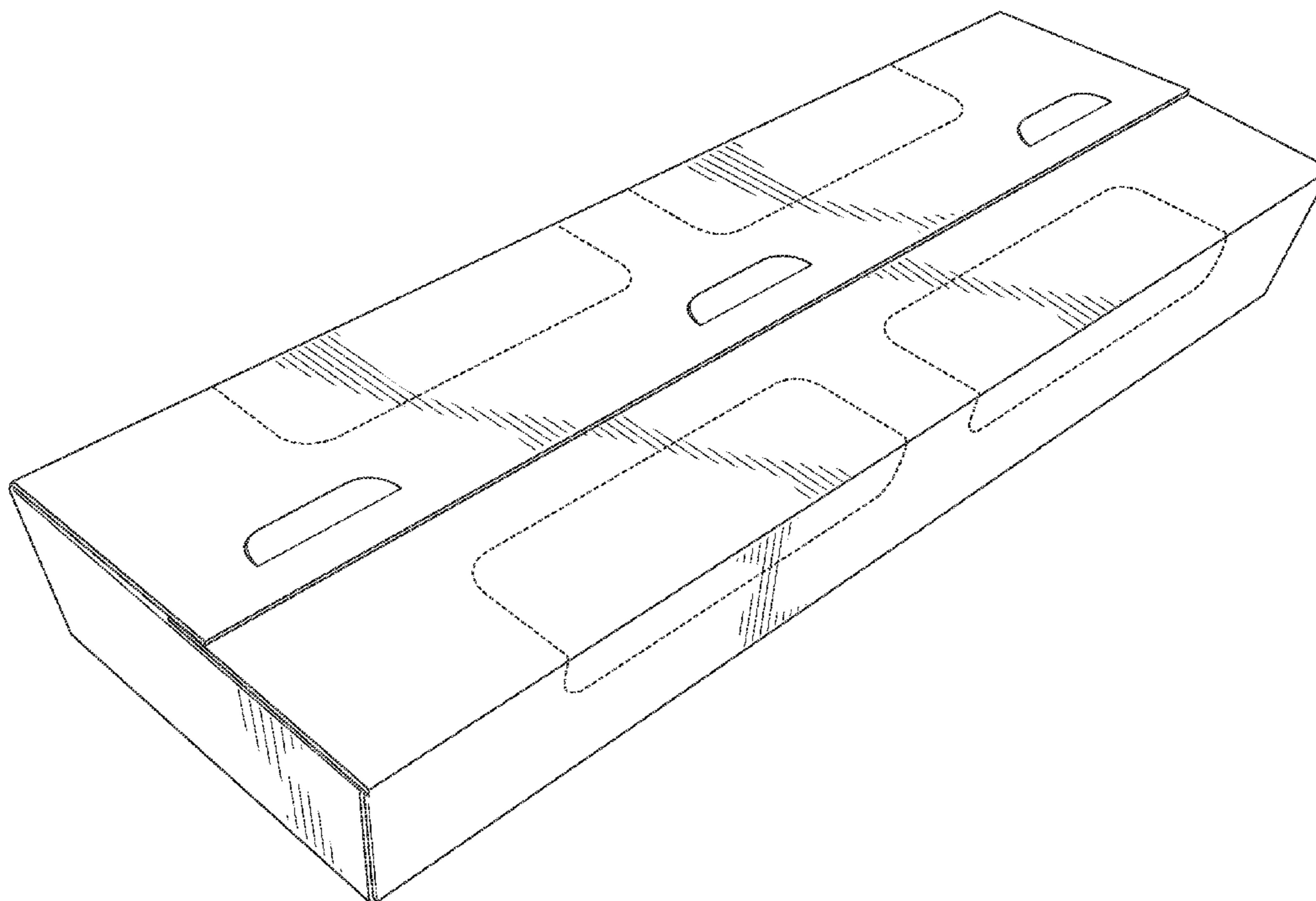
(57) **CLAIM**

The ornamental design for a closeable carton, as shown and described.

**DESCRIPTION**

FIG. 1 is a perspective view of a closeable carton showing a new design;  
 FIG. 2 is a right side elevation view thereof, the left side being a mirror image;  
 FIG. 3 is a front elevation view thereof;  
 FIG. 4 is a rear elevation view thereof;  
 FIG. 5 is a top plan view thereof;  
 FIG. 6 is a bottom plan view thereof;  
 FIG. 7 is a cross-section view taken on line 7-7 of FIG. 5;  
 FIG. 8 is a cross-section view taken on line 8-8 of FIG. 5;  
 FIG. 9 is another perspective view thereof, showing the closeable carton in an alternate open configuration; and,  
 FIG. 10 is another top plan view thereof, showing the closeable carton in an alternate blank configuration.  
 The broken lines in the drawings represent unclaimed environmental subject matter.

**1 Claim, 8 Drawing Sheets**



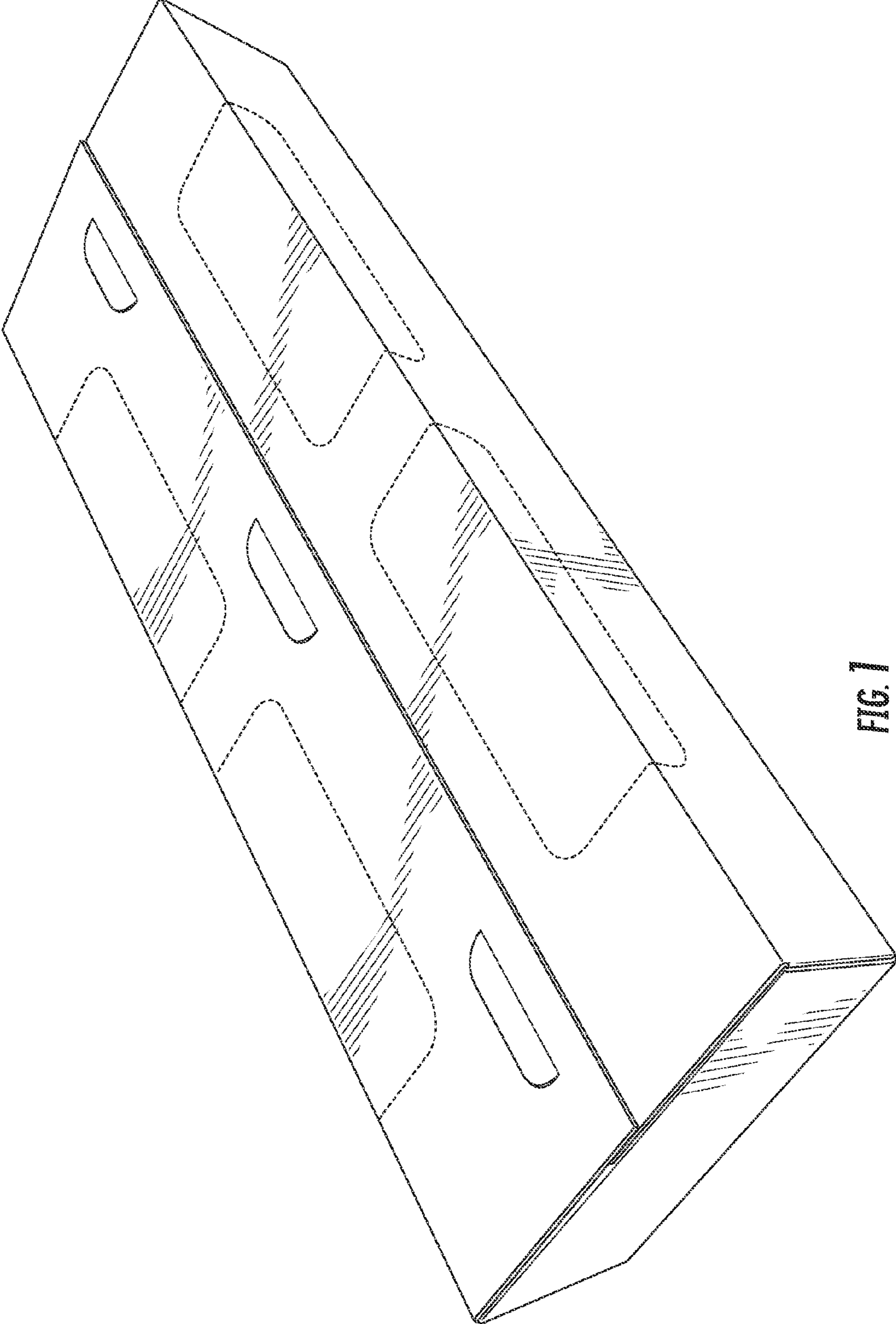
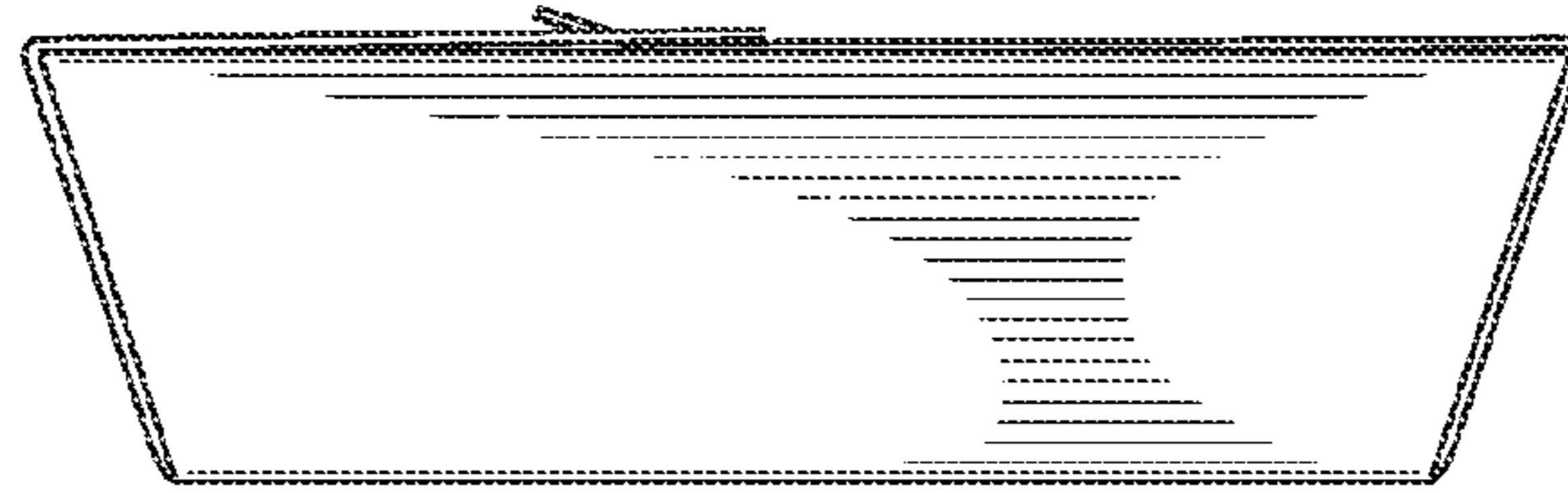


FIG. 1



**FIG. 2**

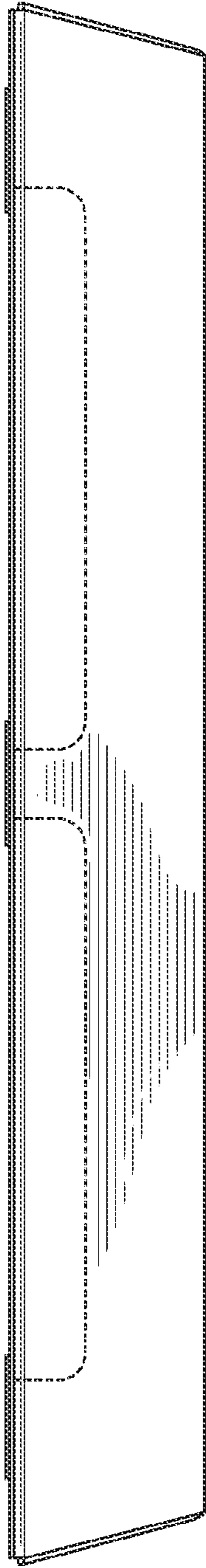


FIG. 3

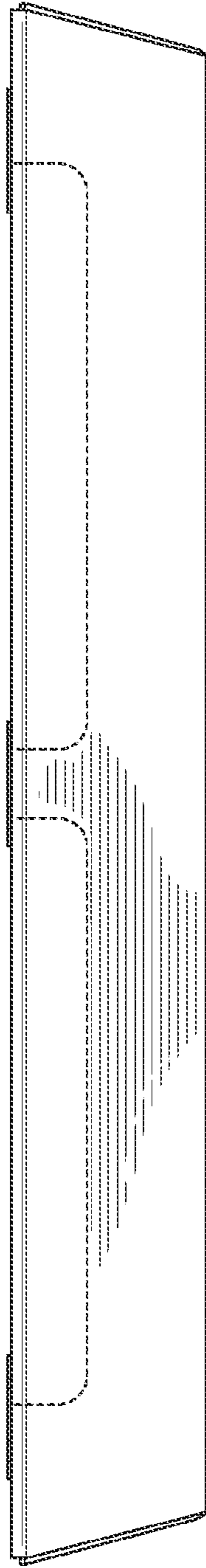


FIG. 4

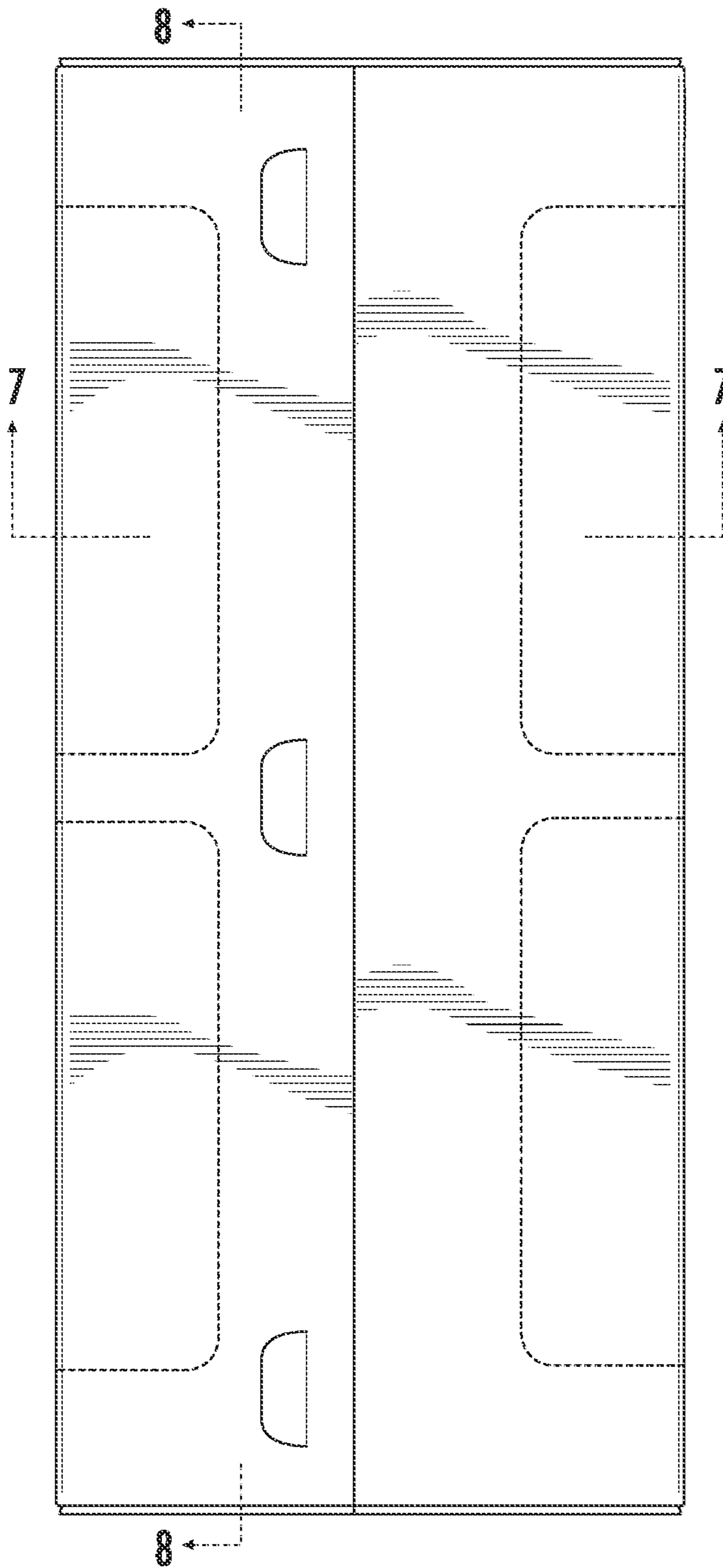


FIG. 5

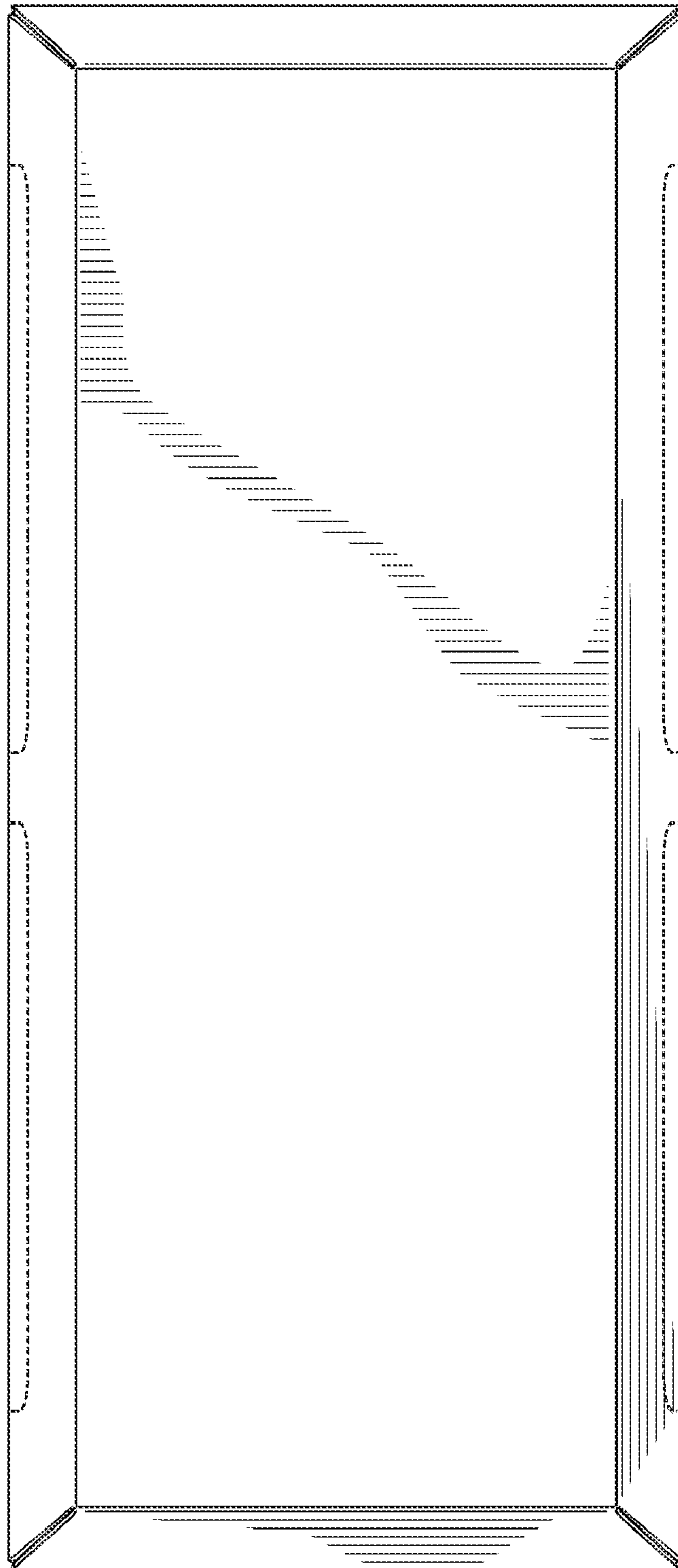


FIG. 6

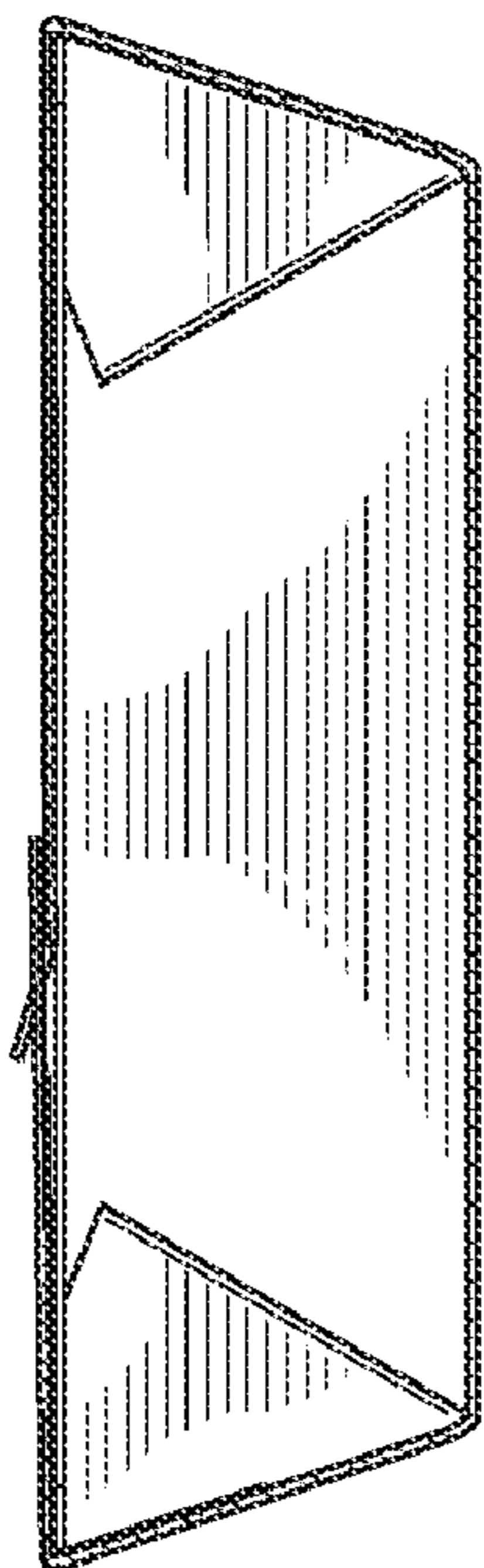


FIG. 7

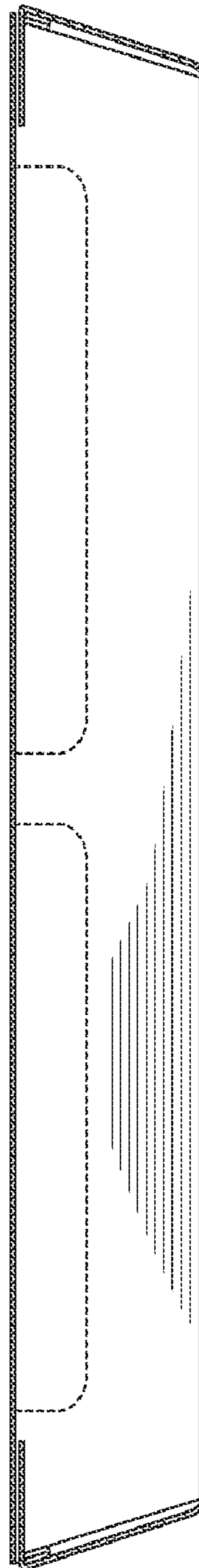


FIG. 8

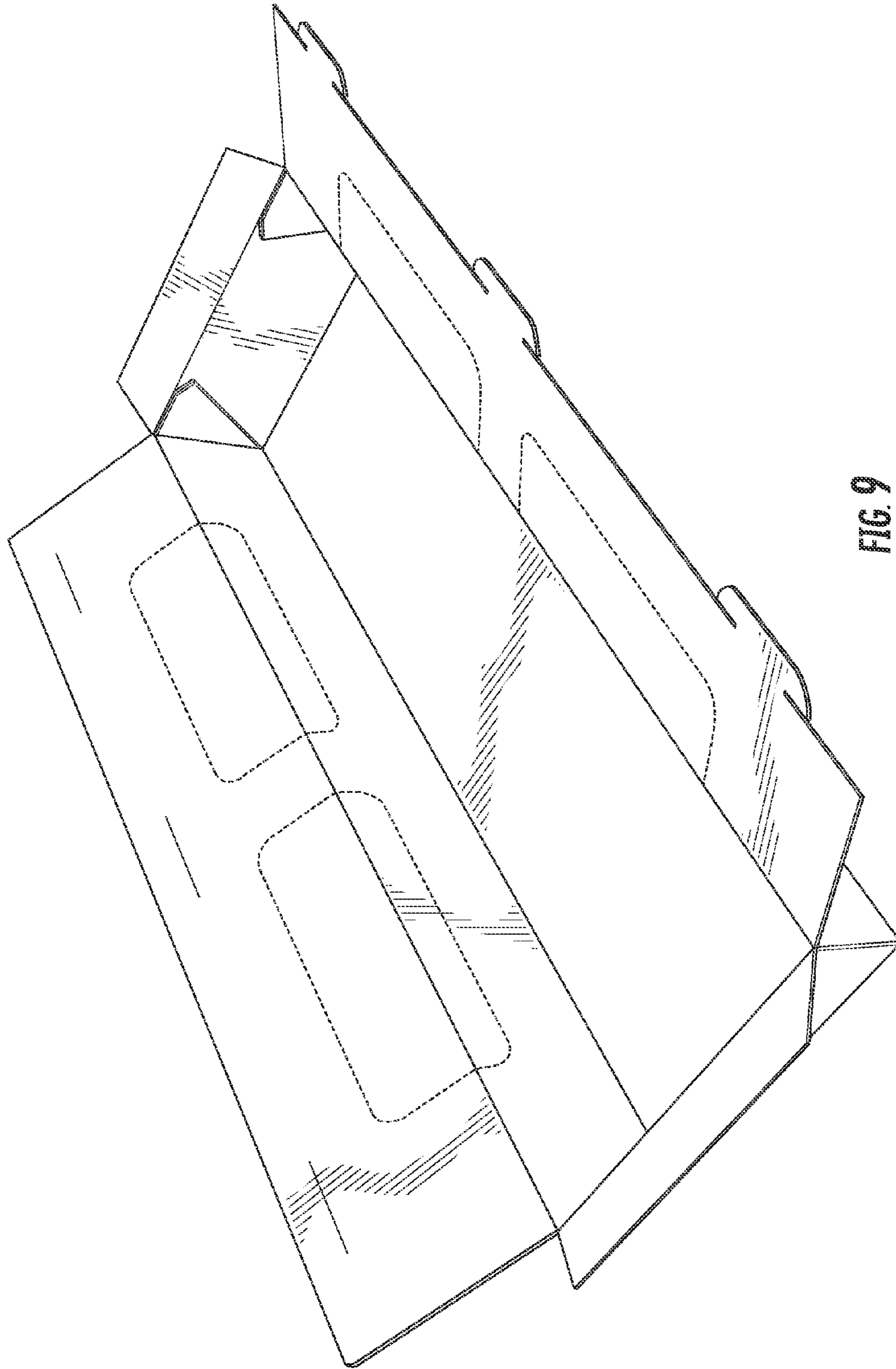


FIG. 9



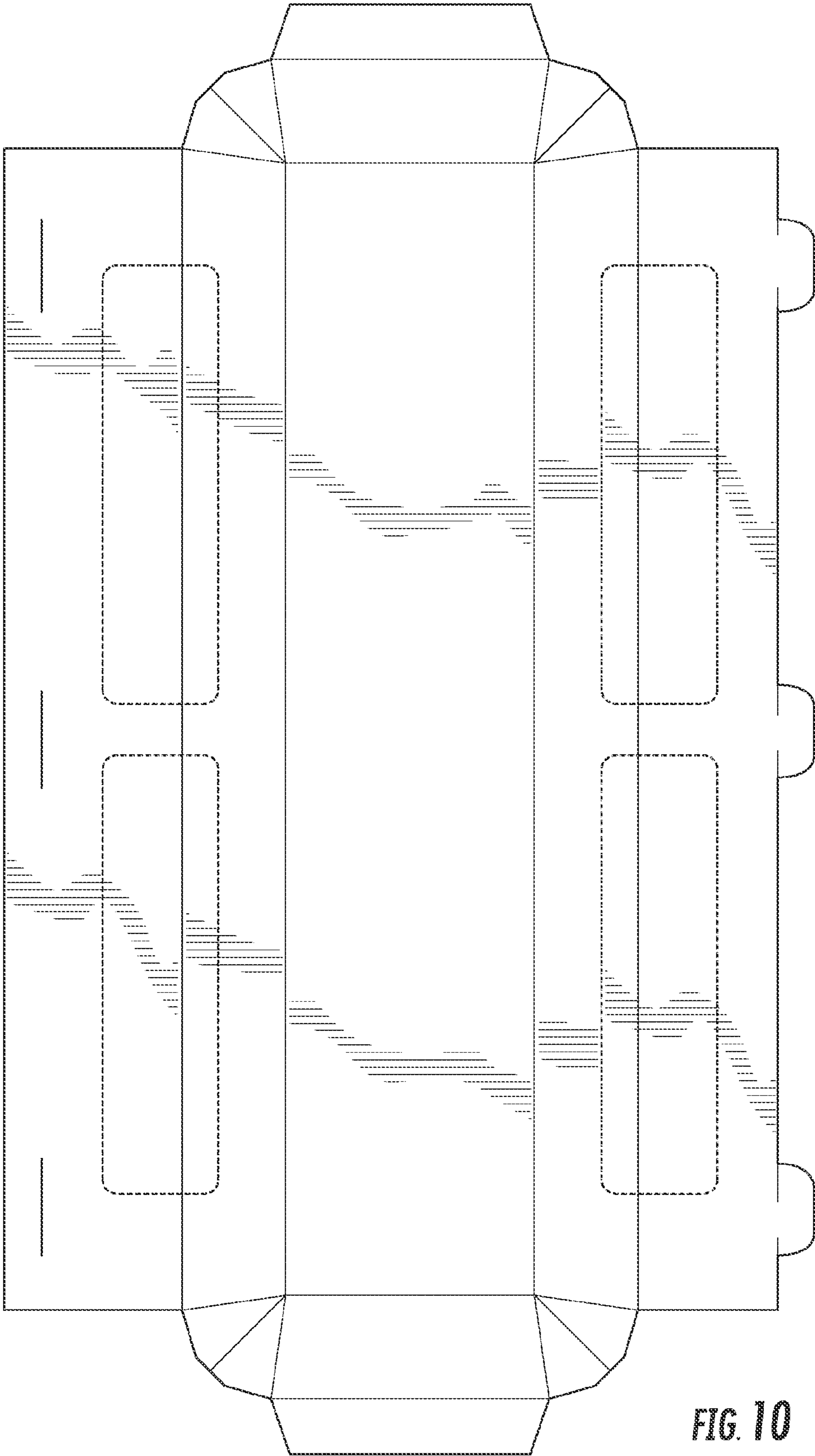


FIG. 10