



US00D675089S

(12) **United States Design Patent**
Cook et al.

(10) **Patent No.:** **US D675,089 S**
(45) **Date of Patent:** **** Jan. 29, 2013**

- (54) **DISPOSABLE CUP WITH CURVED RIB**
- (75) Inventors: **Matthew R. Cook**, Hinsdale, IL (US);
Thomas Z. Fu, Naperville, IL (US)
- (73) Assignee: **LBP Manufacturing, Inc.**, Cicero, IL (US)
- (**) Term: **14 Years**
- (21) Appl. No.: **29/392,728**
- (22) Filed: **May 25, 2011**
- (51) **LOC (9) Cl.** **09-03**
- (52) **U.S. Cl.** **D9/428**
- (58) **Field of Classification Search** D9/414,
D9/418, 424, 425, 428, 429, 500; D7/619,
D7/629; 229/400-406, 932, 906.1; 220/656-659,
220/669-675, 912, 4.21-4.27; 206/553,
206/557, 541, 775, 776
See application file for complete search history.

4,886,674 A	12/1989	Seward
5,012,629 A	5/1991	Rehman
5,082,676 A	1/1992	Love et al.
5,197,374 A	3/1993	Fond
5,243,164 A	9/1993	Erickson
5,277,103 A	1/1994	Cox
5,298,267 A	3/1994	Gruenbacher
5,325,765 A	7/1994	Sylvan et al.
D349,211 S	8/1994	Cerato
5,347,916 A	9/1994	Fond
5,424,083 A	6/1995	Lozito
D369,971 S *	5/1996	Brauner et al. D9/428
5,605,710 A	2/1997	Pridonoff
5,633,026 A	5/1997	Gruenbacher
5,637,335 A	6/1997	Fond
5,776,527 A	7/1998	Blanc
5,840,189 A	11/1998	Sylvan et al.
D408,679 S	4/1999	Britt

(Continued)

OTHER PUBLICATIONS

International Search Report and Written Opinion of the International Searching Authority mailed Nov. 19, 2010, for corresponding International Application No. PCT/US2010/050505.

Primary Examiner — Thomas Johannes

(74) *Attorney, Agent, or Firm* — Brinks Hofer Gilson & Lione

(56) **References Cited**

U.S. PATENT DOCUMENTS

2,224,378 A	12/1940	Coniglio	
2,224,409 A	12/1940	Schleyer	
2,885,290 A	5/1959	Krasker	
2,968,560 A	1/1961	Goros	
D206,358 S *	11/1966	Griese et al.	D9/428
3,483,812 A	12/1969	Gast	
3,592,126 A	7/1971	Dombrowik	
D221,625 S *	8/1971	Kinney et al.	D9/428
3,811,373 A	5/1974	Telco	
3,935,112 A	1/1976	Greutert	
4,052,318 A	10/1977	Krebs	
D270,513 S	9/1983	Wallsten	
4,471,689 A	9/1984	Piana	
4,522,298 A	6/1985	Weinberger	
4,621,670 A *	11/1986	Yuen	220/801
4,626,435 A	12/1986	Zimmerman	
4,832,845 A	5/1989	Hendretti	
4,859,337 A	8/1989	Woltermann	

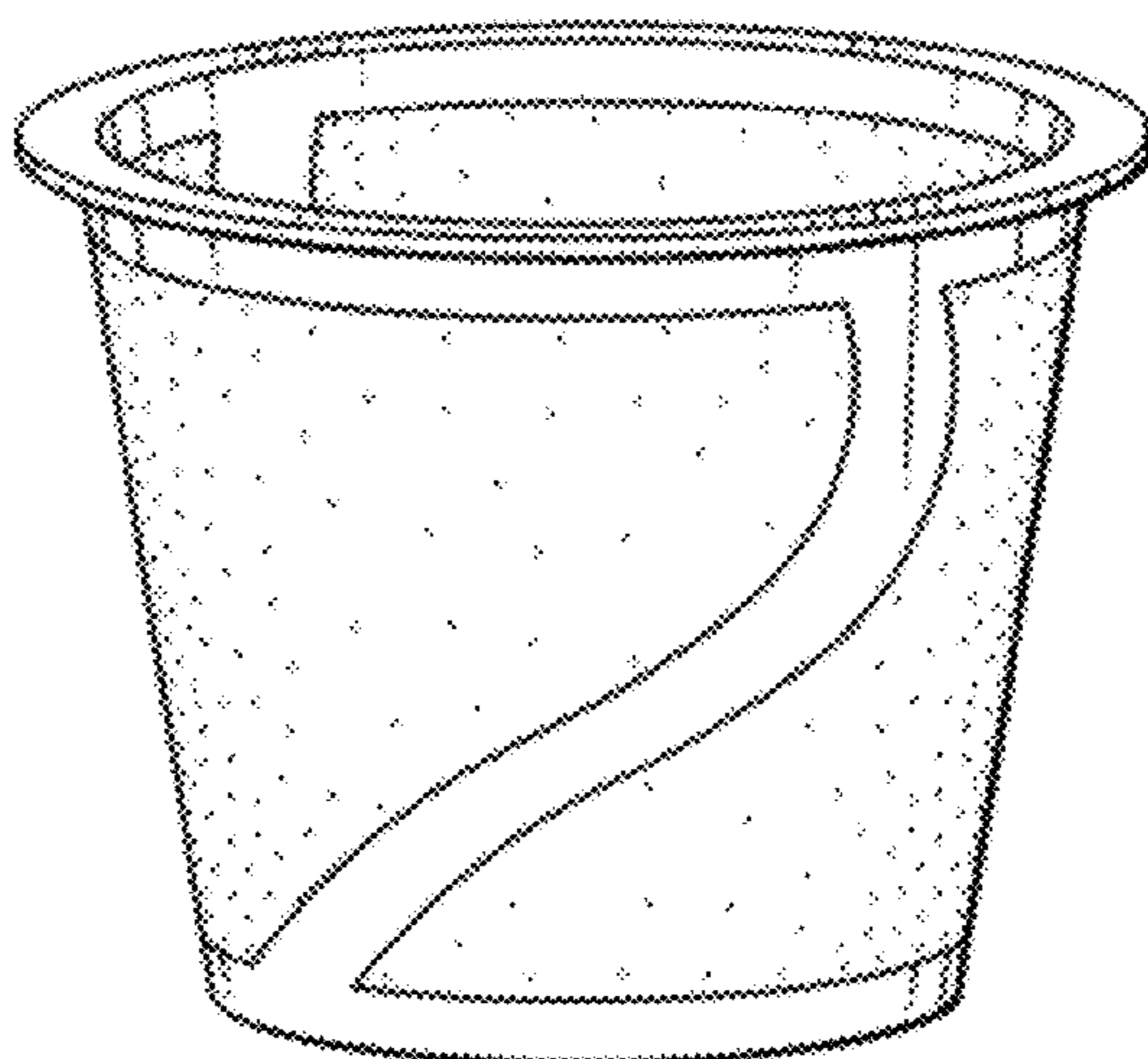
(57) **CLAIM**

We claim the ornamental design for a disposable cup with curved rib, as shown and described.

DESCRIPTION

FIG. 1 is a perspective view of a disposable cup with curved rib showing our new design;
FIG. 2 is a front view thereof;
FIG. 3 is a side view thereof;
FIG. 4 is a top view thereof; and,
FIG. 5 is a bottom view thereof.

1 Claim, 1 Drawing Sheet



US D675,089 S

Page 2

U.S. PATENT DOCUMENTS

5,895,672 A	4/1999	Cooper		7,523,695 B2	4/2009	Streeter	
5,948,455 A	9/1999	Schaeffer		7,543,527 B2	6/2009	Schmed	
5,967,019 A	10/1999	Johnson		7,552,672 B2	6/2009	Schmed	
6,076,450 A	6/2000	DiGiorgio, Jr.		D606,363 S *	12/2009	Aardenburg	D7/400
6,079,315 A	6/2000	Beaulieu et al.		7,624,673 B2	12/2009	Zanetti	
6,082,247 A	7/2000	Beaulieu		7,640,845 B2	1/2010	Woodnorth	
6,142,063 A	11/2000	Beaulieu		D618,962 S *	7/2010	Liming	D7/396.2
6,182,554 B1	2/2001	Beaulieu et al.		7,836,819 B2	11/2010	Suggi Liverani et al.	
6,283,013 B1	9/2001	Romandy		D628,883 S *	12/2010	Stephens	D9/429
D452,433 S	12/2001	Lazaris		D637,484 S	5/2011	Winkler	
D452,434 S	12/2001	Sweeney		D644,924 S *	9/2011	Lin	D9/429
6,440,256 B1	8/2002	Gordon et al.		8,039,029 B2	10/2011	Ozanne	
D462,865 S	9/2002	Honan		8,039,034 B2	10/2011	Ozanne	
6,485,766 B2	11/2002	Herod		D649,039 S *	11/2011	Golota et al.	D9/429
D468,200 S *	1/2003	Kim et al.	D9/428	2004/0045443 A1	3/2004	Lazaris et al.	
6,517,880 B2	2/2003	Walters, Jr. et al.		2004/0182250 A1	9/2004	Halliday et al.	
D474,110 S	5/2003	Sweeney		2005/0051478 A1	3/2005	Karanikos et al.	
D474,111 S	5/2003	Lazaris		2005/0056153 A1	3/2005	Nottingham et al.	
6,589,577 B2	7/2003	Lazaris et al.		2005/0205601 A1	9/2005	Taylor	
6,606,938 B2	8/2003	Taylor		2005/0266122 A1	12/2005	Franceschi	
6,607,762 B2	8/2003	Lazaris et al.		2005/0287251 A1	12/2005	Lazaris	
6,644,173 B2	11/2003	Lazaris et al.		2006/0169149 A1	8/2006	Voss	
6,645,537 B2	11/2003	Sweeney et al.		2006/0174773 A1	8/2006	Taylor	
6,655,260 B2	12/2003	Lazaris et al.		2006/0236871 A1	10/2006	Ternite	
6,658,989 B2	12/2003	Sweeney et al.		2006/0292012 A1	12/2006	Brudevold	
6,662,955 B1	12/2003	Lassota		2007/0056994 A1	3/2007	Woodnorth et al.	
6,666,130 B2	12/2003	Taylor et al.		2007/0221066 A1	9/2007	Sullivan et al.	
6,672,200 B2	1/2004	Duffy		2008/0095904 A1	4/2008	Sullivan et al.	
6,708,600 B2	3/2004	Winkler et al.		2008/0115674 A1	5/2008	Huang et al.	
D489,215 S	5/2004	Honan		2008/0134902 A1	6/2008	Zimmerman et al.	
6,740,345 B2	5/2004	Cai		2008/0264267 A1	10/2008	Dogliani	
6,758,130 B2	7/2004	Sargent		2009/0173043 A1	7/2009	Bloome	
D494,811 S	8/2004	Rossi		2009/0229470 A1	9/2009	Dorfmueller	
6,777,007 B2	8/2004	Cai		2010/0024658 A1	2/2010	Jacobs	
6,786,134 B2	9/2004	Green		2010/0028495 A1	2/2010	Novak	
6,810,788 B2	11/2004	Hale		2010/0043644 A1	2/2010	Suggi Liverani et al.	
6,844,015 B2	1/2005	Yuguchi		2010/0043645 A1	2/2010	Suggi Liverani et al.	
D502,362 S	3/2005	Lazaris et al.		2010/0043646 A1	2/2010	Suggi Liverani et al.	
6,948,420 B2	9/2005	Kirschner		2010/0077928 A1	4/2010	Schmed	
D513,572 S	1/2006	Schaffeld		2010/0282091 A1	11/2010	Doleac	
7,081,263 B2	7/2006	Albrecht		2010/0288131 A1	11/2010	Kilber	
7,165,488 B2	1/2007	Bragg et al.		2010/0303964 A1	12/2010	Beaulieu	
7,213,506 B2	5/2007	Halliday		2011/0030563 A9	2/2011	Dogliani	
D544,299 S	6/2007	Schaffeld		2011/0064852 A1	3/2011	Mann	
7,311,037 B2	12/2007	Albrecht		2011/0076361 A1	3/2011	Peterson	
7,347,138 B2	3/2008	Bragg et al.		2011/0142996 A1	6/2011	Kruger	
7,360,418 B2	4/2008	Pelovitz		2011/0151075 A1	6/2011	Peterson	
7,377,162 B2	5/2008	Lazaris		2011/0168029 A1	7/2011	Fulco	
7,398,726 B2	7/2008	Streeter		2011/0183043 A1	7/2011	Reati	
7,412,921 B2	8/2008	Hu		2011/0185911 A1	8/2011	Rapparini	
7,490,542 B2	2/2009	Macchi		2011/0226343 A1	9/2011	Novak	
7,513,192 B2	4/2009	Sullivan et al.		2012/0205385 A1 *	8/2012	Crosby	220/600

* cited by examiner

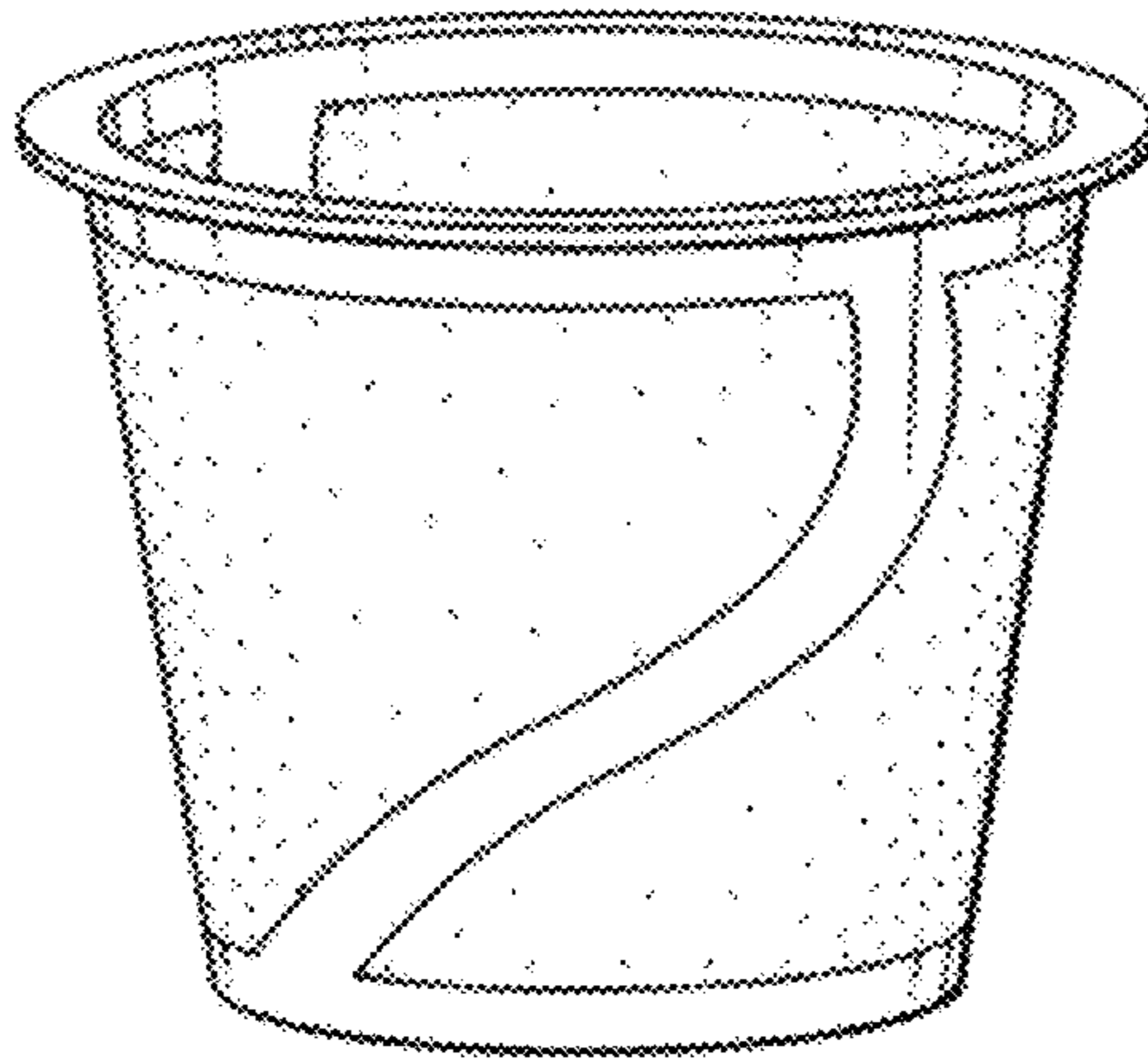


FIG. 1

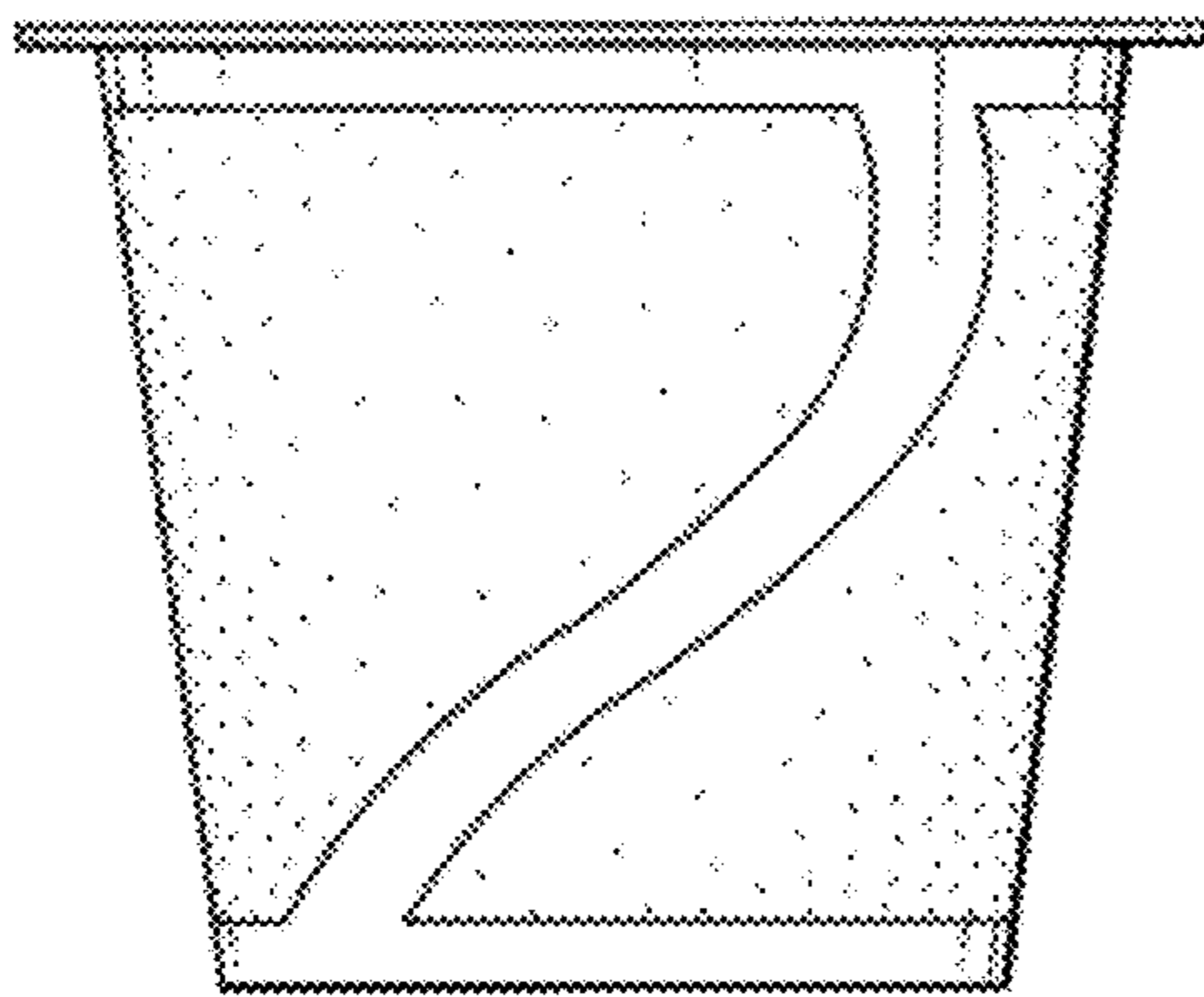


FIG. 2

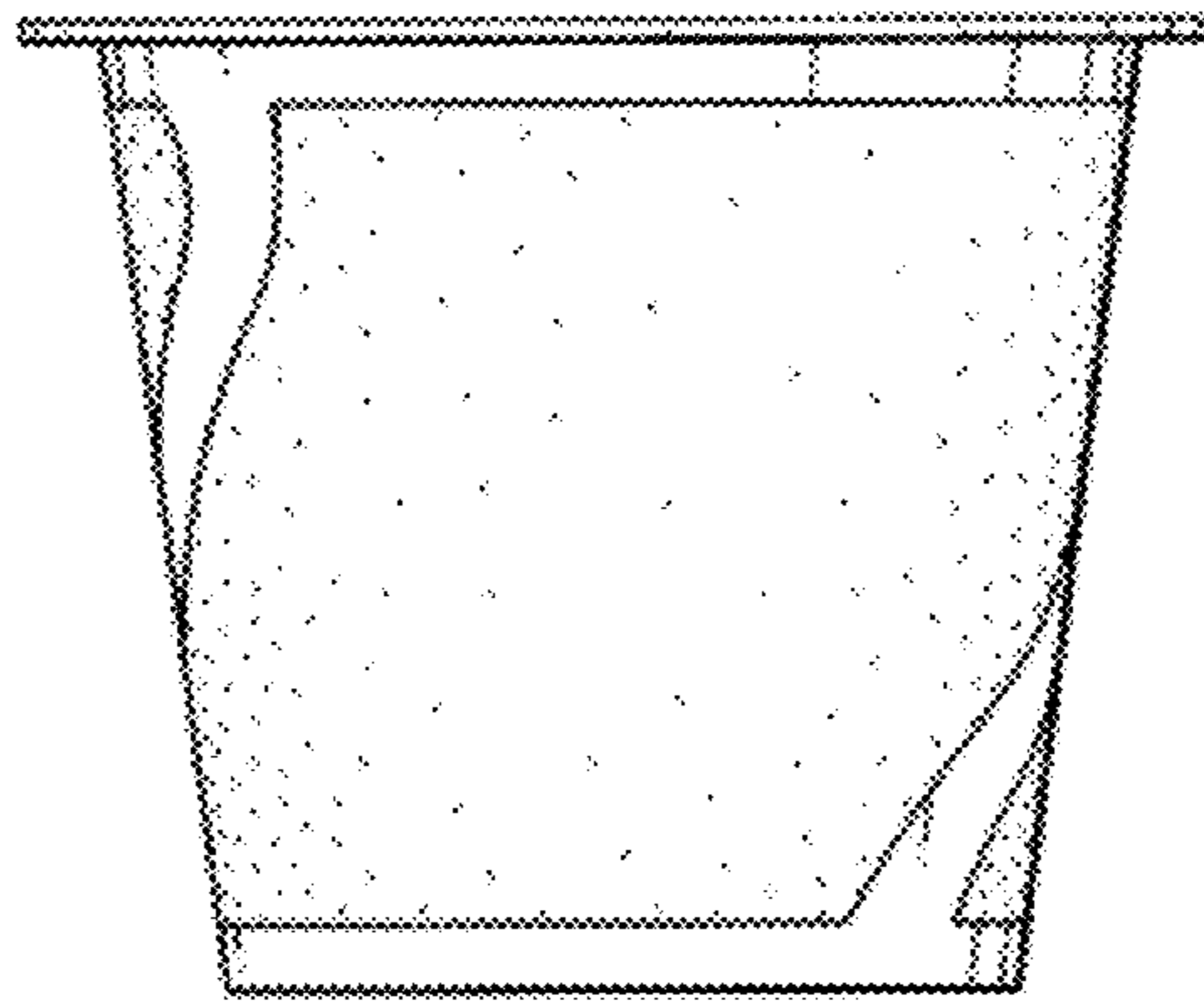


FIG. 3

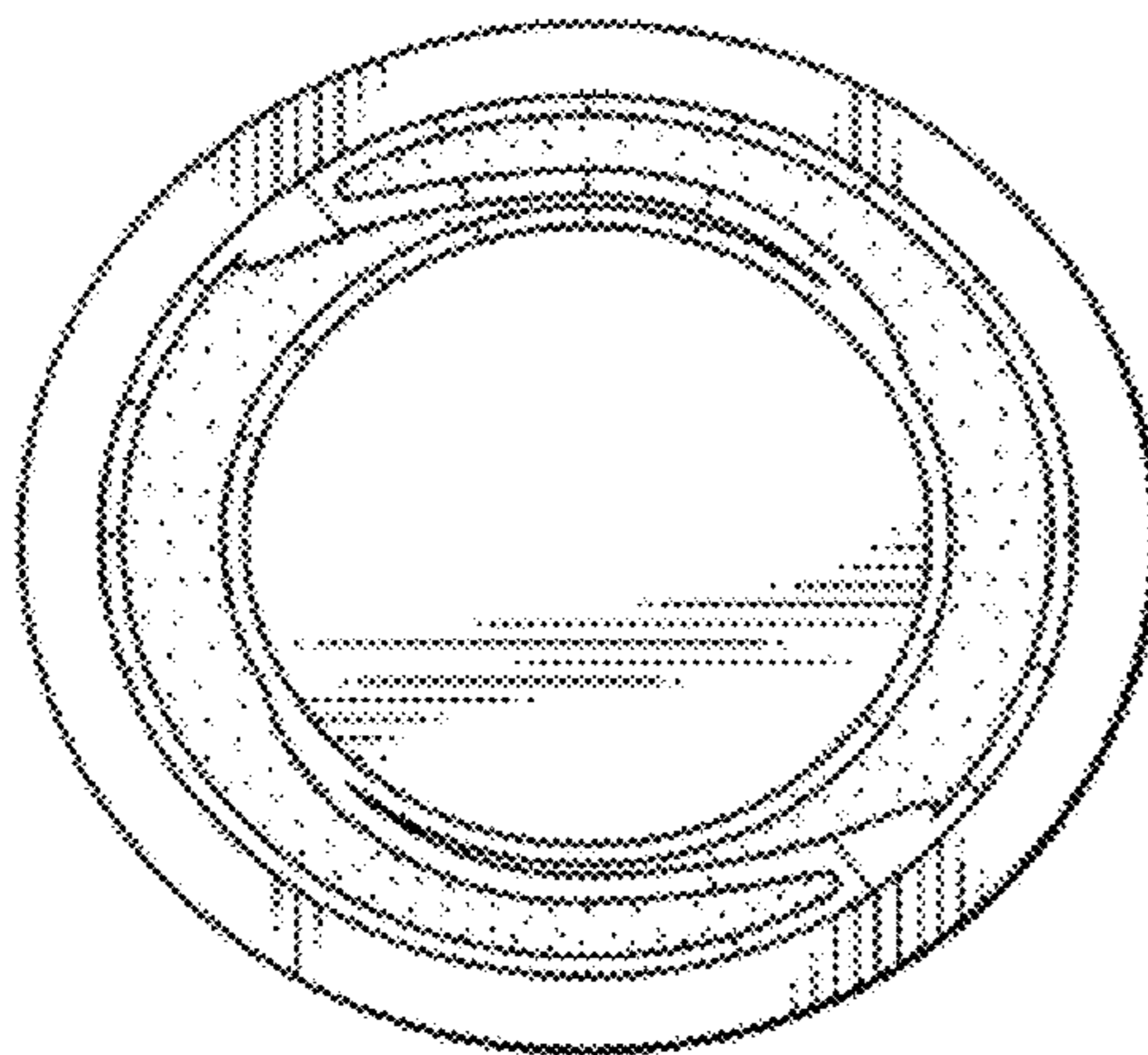


FIG. 4

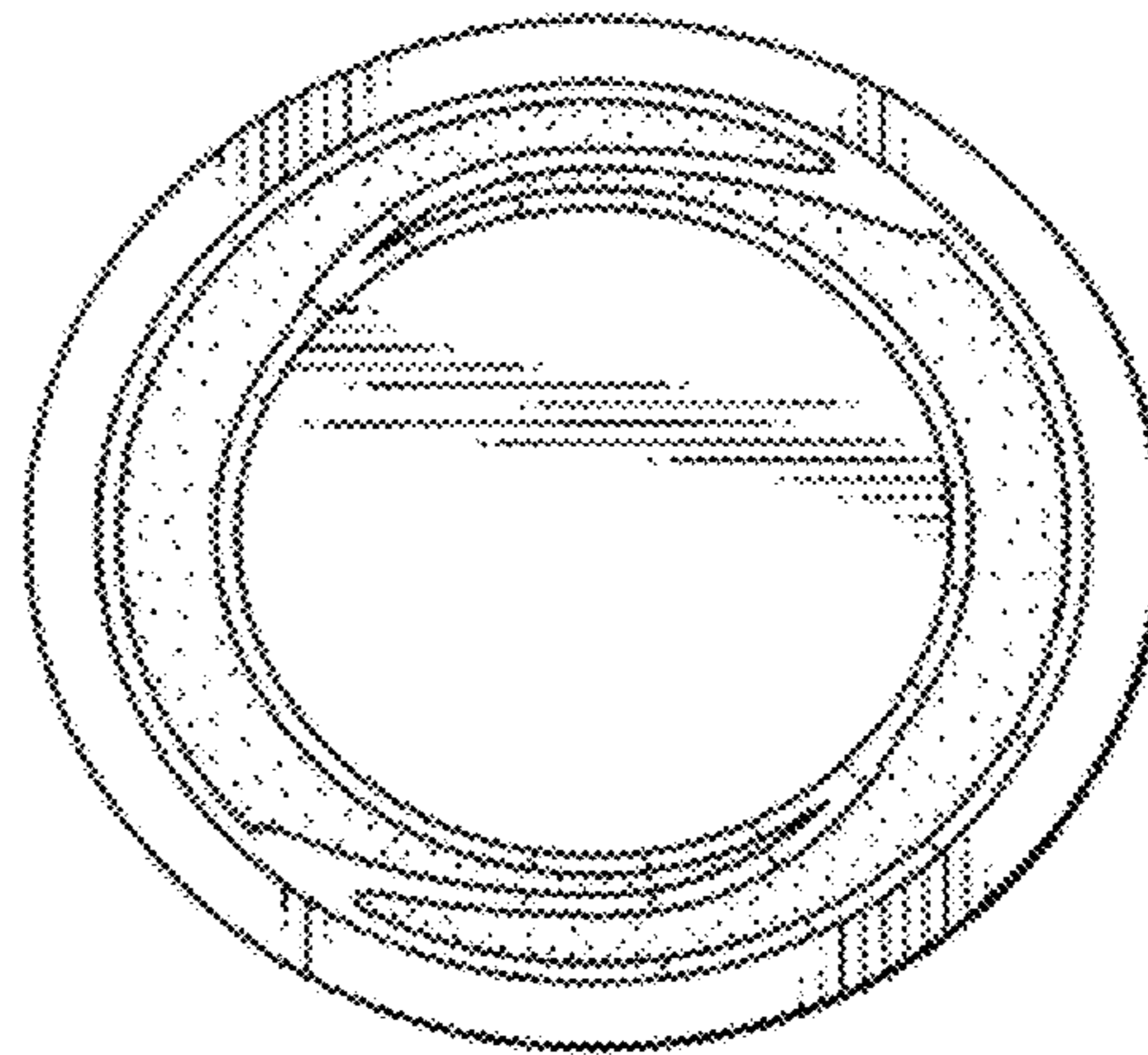


FIG. 5