



US00D675087S

(12) **United States Design Patent**  
**Gary et al.**

(10) **Patent No.:** **US D675,087 S**

(45) **Date of Patent:** **\*\* Jan. 29, 2013**

(54) **T-SHAPED LIGHT CLIP**

(75) Inventors: **Lonnie F. Gary**, Lubbock, TX (US);  
**James C. DeVilliers**, Lubbock, TX (US)

(73) Assignee: **Commercial Christmas Clip Company, LLC**, Lubbock, TX (US)

(\*\*) Term: **14 Years**

(21) Appl. No.: **29/422,333**

(22) Filed: **May 18, 2012**

(51) **LOC (9) Cl.** ..... **08-08**

(52) **U.S. Cl.** ..... **D8/395**

(58) **Field of Classification Search** ..... D8/354,  
D8/356, 371, 394-396; D19/65, 86; D24/128;  
248/74.2, 215, 227.1, 49, 300, 301, 316.7,  
248/51, 489; 24/570, 3.12; D32/61; D11/78.1  
See application file for complete search history.

(56) **References Cited**

U.S. PATENT DOCUMENTS

D414,291 S \* 9/1999 Gary et al. .... D26/138  
D422,203 S \* 4/2000 Gary et al. .... D8/395  
D427,510 S \* 7/2000 Gary et al. .... D8/395

D494,849 S \* 8/2004 Jones et al. .... D8/395  
D531,018 S \* 10/2006 Jackson et al. .... D8/395  
D537,330 S \* 2/2007 Cox et al. .... D8/395  
D538,636 S \* 3/2007 Jackson et al. .... D8/395  
D578,521 S \* 10/2008 Sergi et al. .... D14/238

\* cited by examiner

*Primary Examiner* — John Windmuller

(74) *Attorney, Agent, or Firm* — Locke Lord, LLP

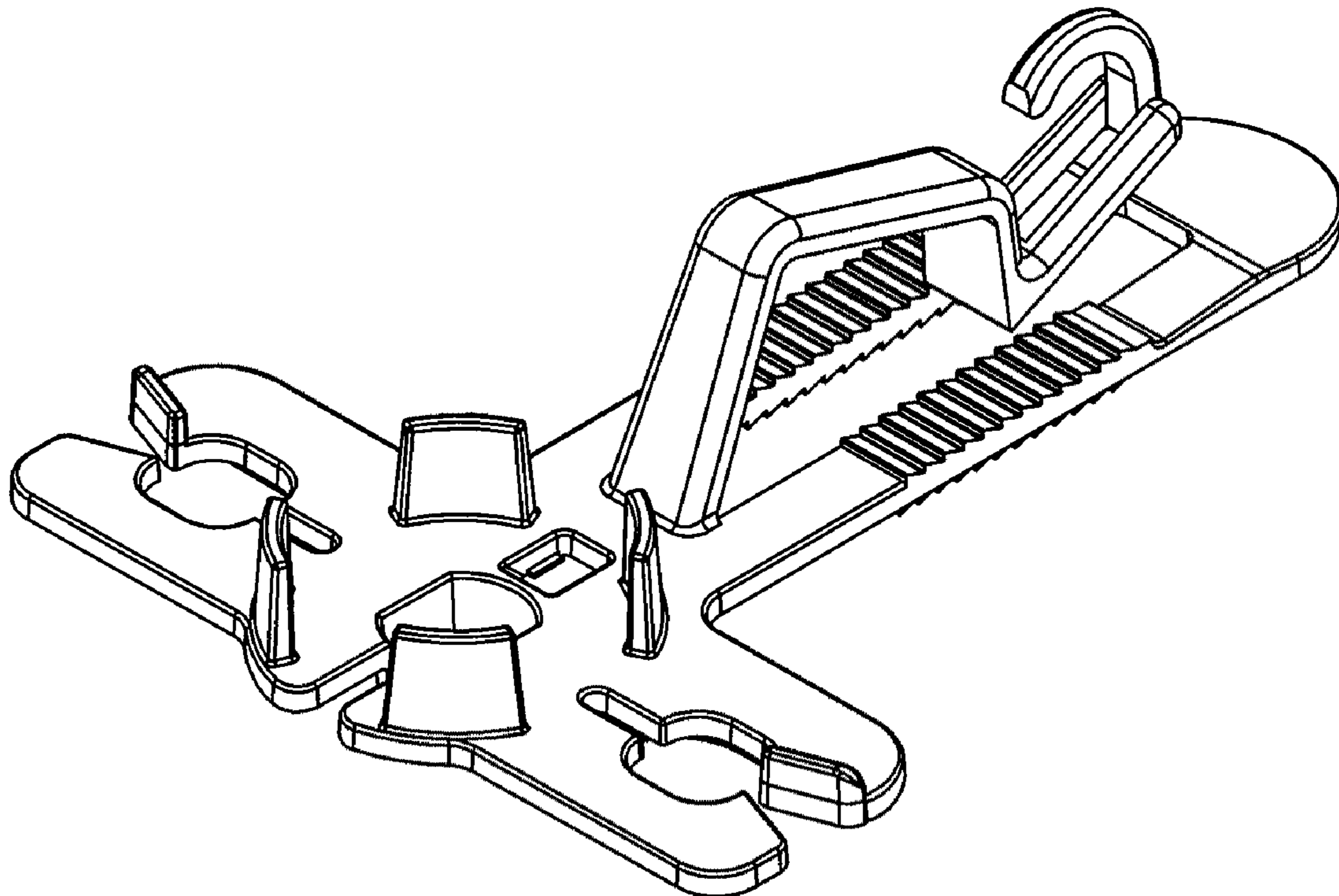
(57) **CLAIM**

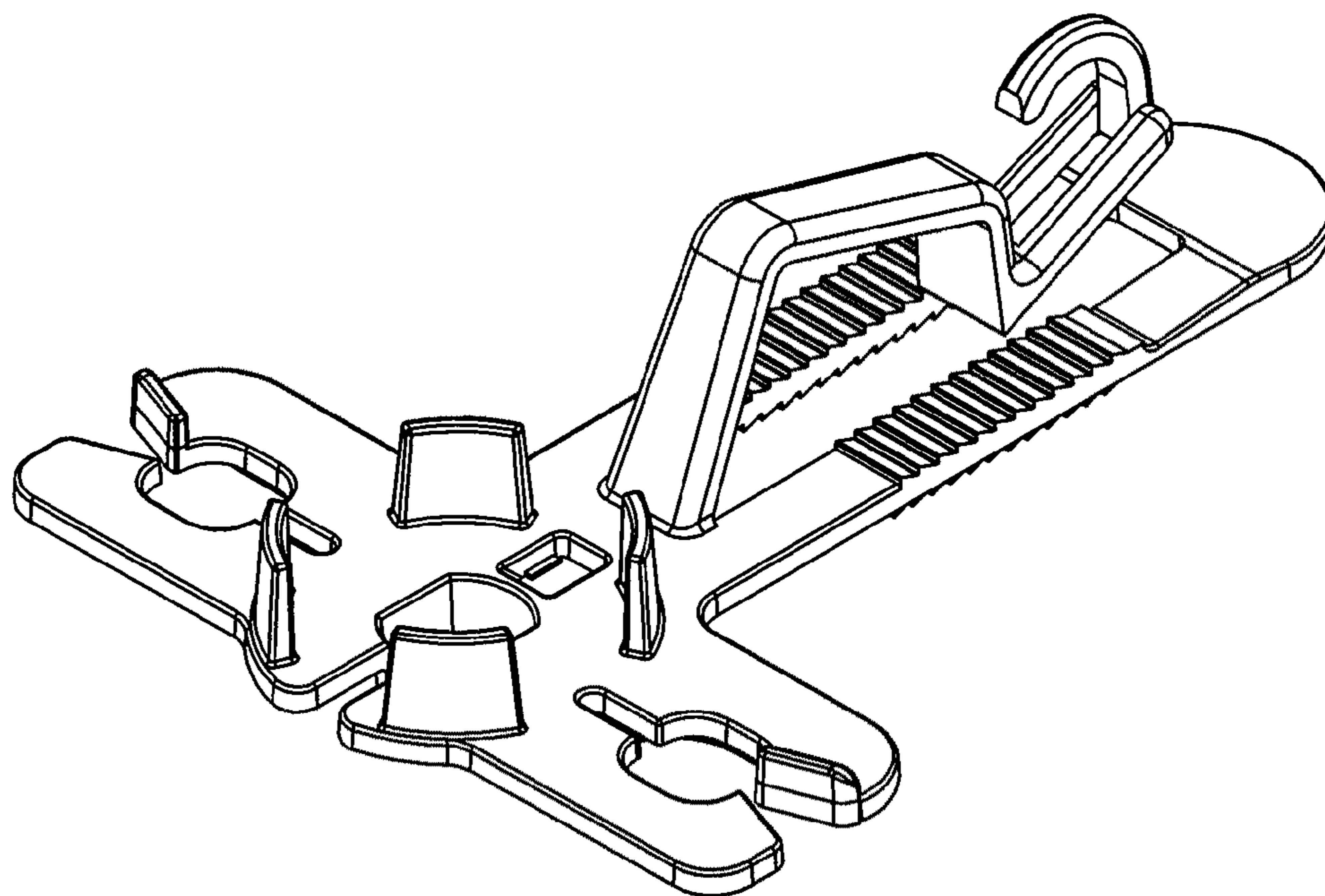
The ornamental design for a t-shaped light clip, as shown and described.

**DESCRIPTION**

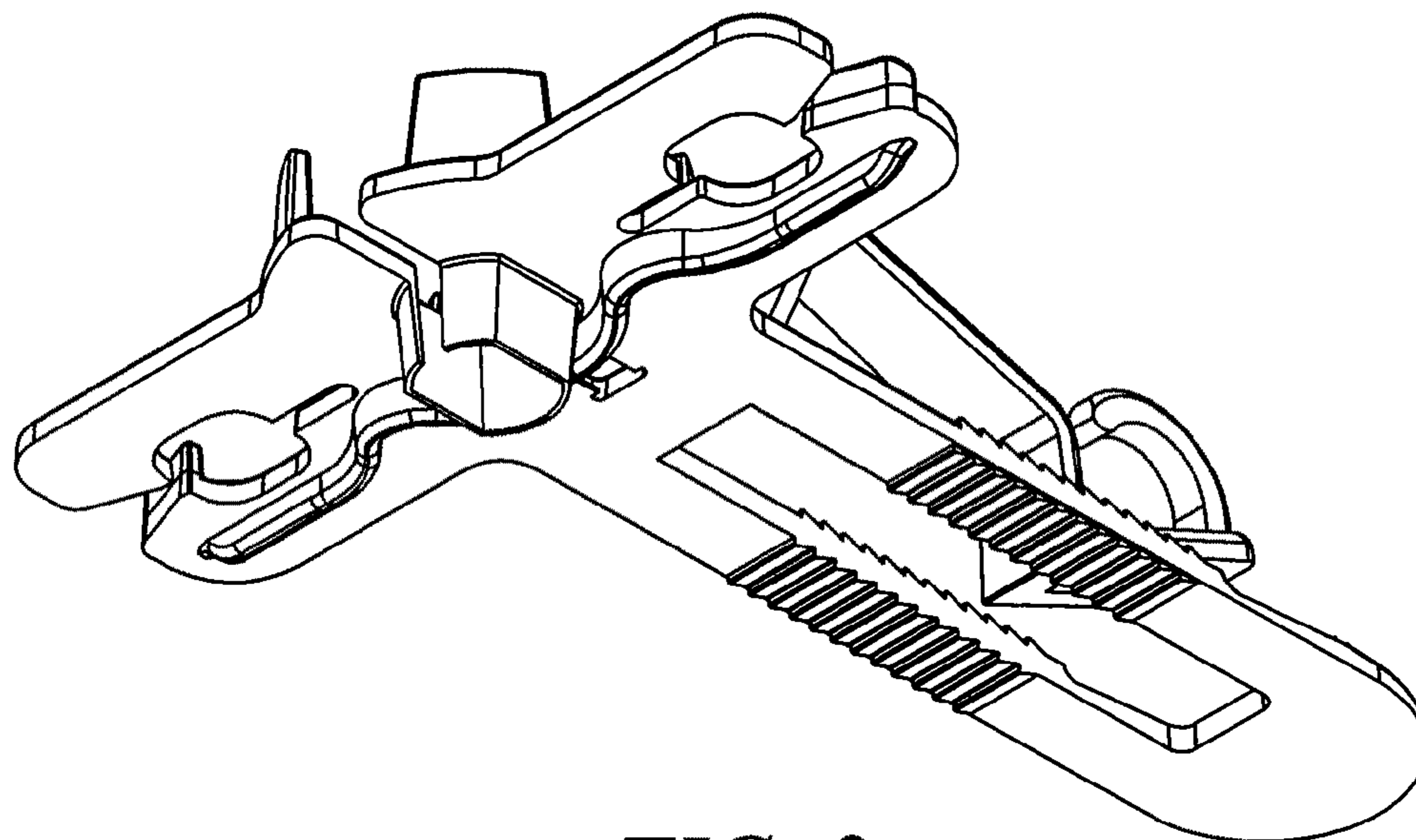
FIG. 1 is a top perspective view;  
FIG. 2 is a bottom perspective view;  
FIG. 3 is a bottom plan view;  
FIG. 4 is a top plan view;  
FIG. 5 is a left side elevation view;  
FIG. 6 is a front elevation view; and,  
FIG. 7 is a right side elevation view.  
The rear elevation view is a mirror image of the front elevation view.

**1 Claim, 3 Drawing Sheets**

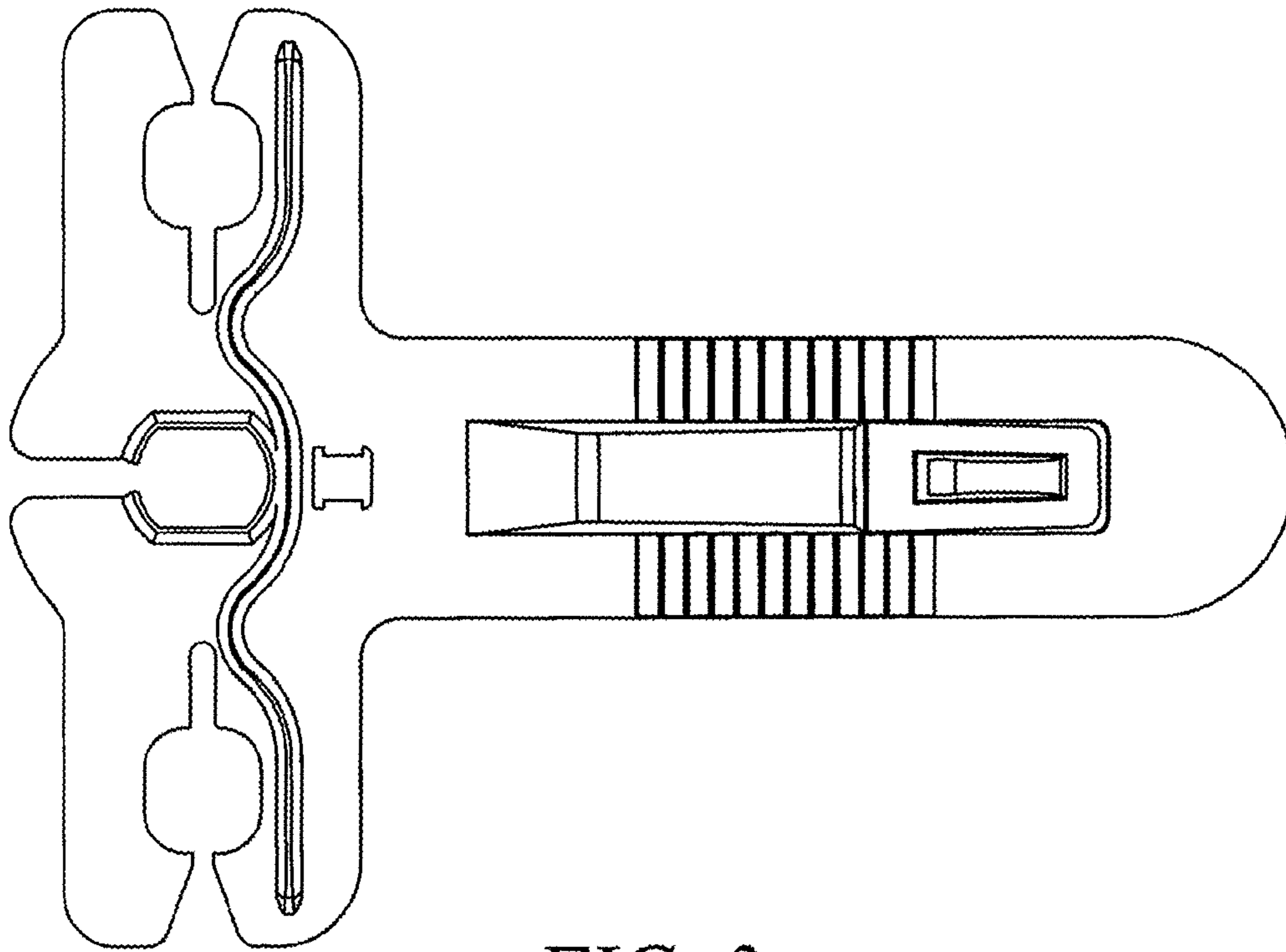




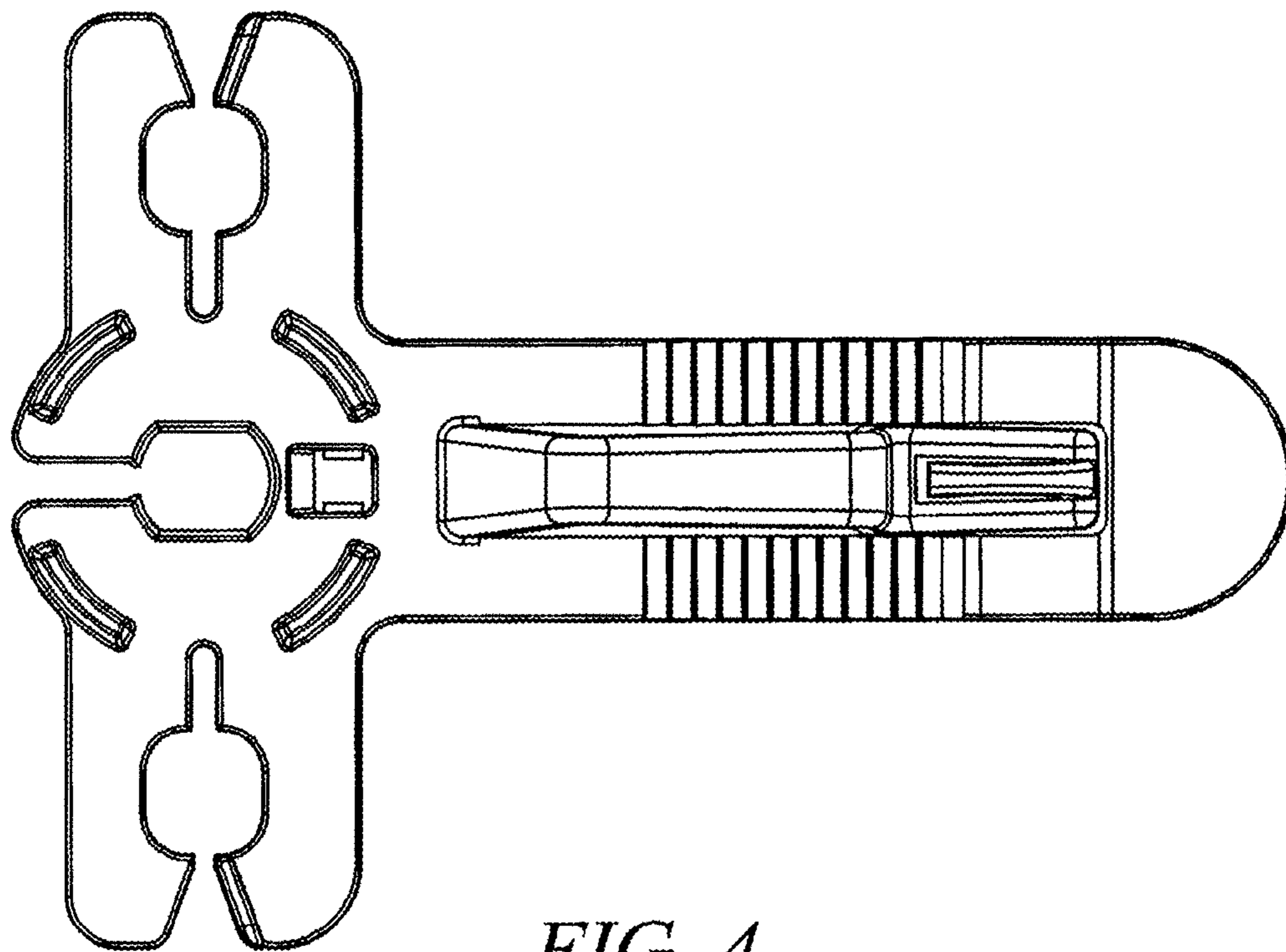
*FIG. 1*



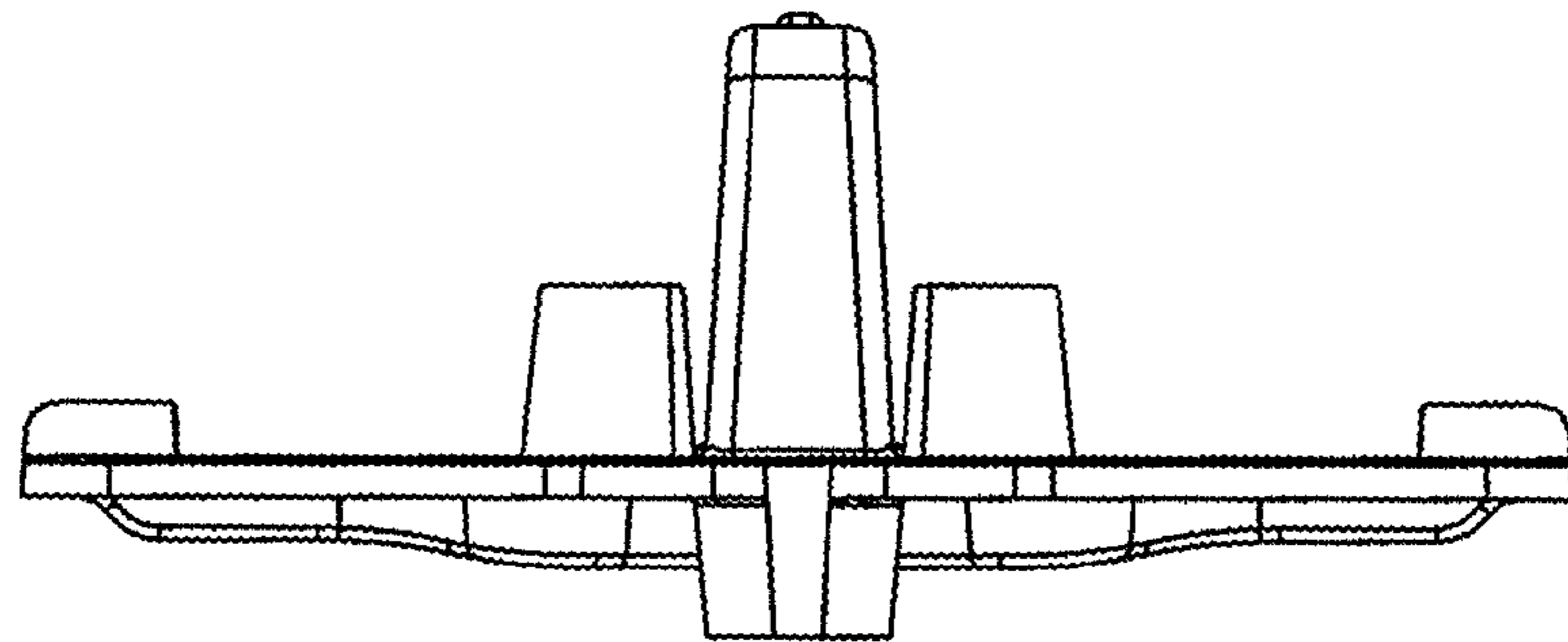
*FIG. 2*



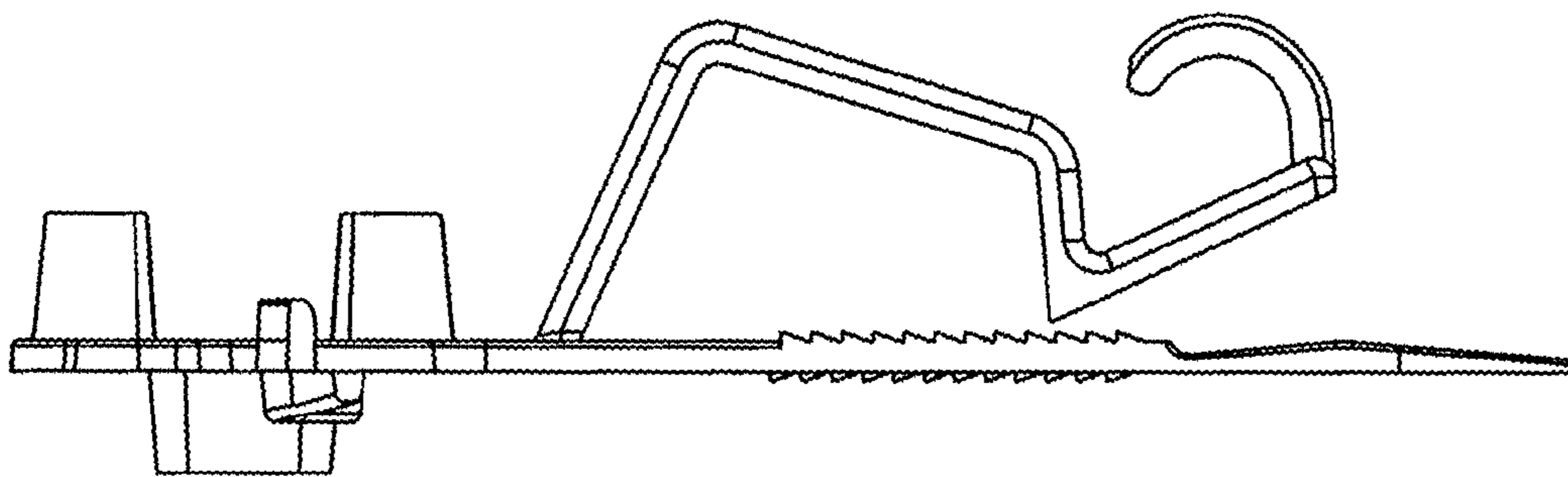
*FIG. 3*



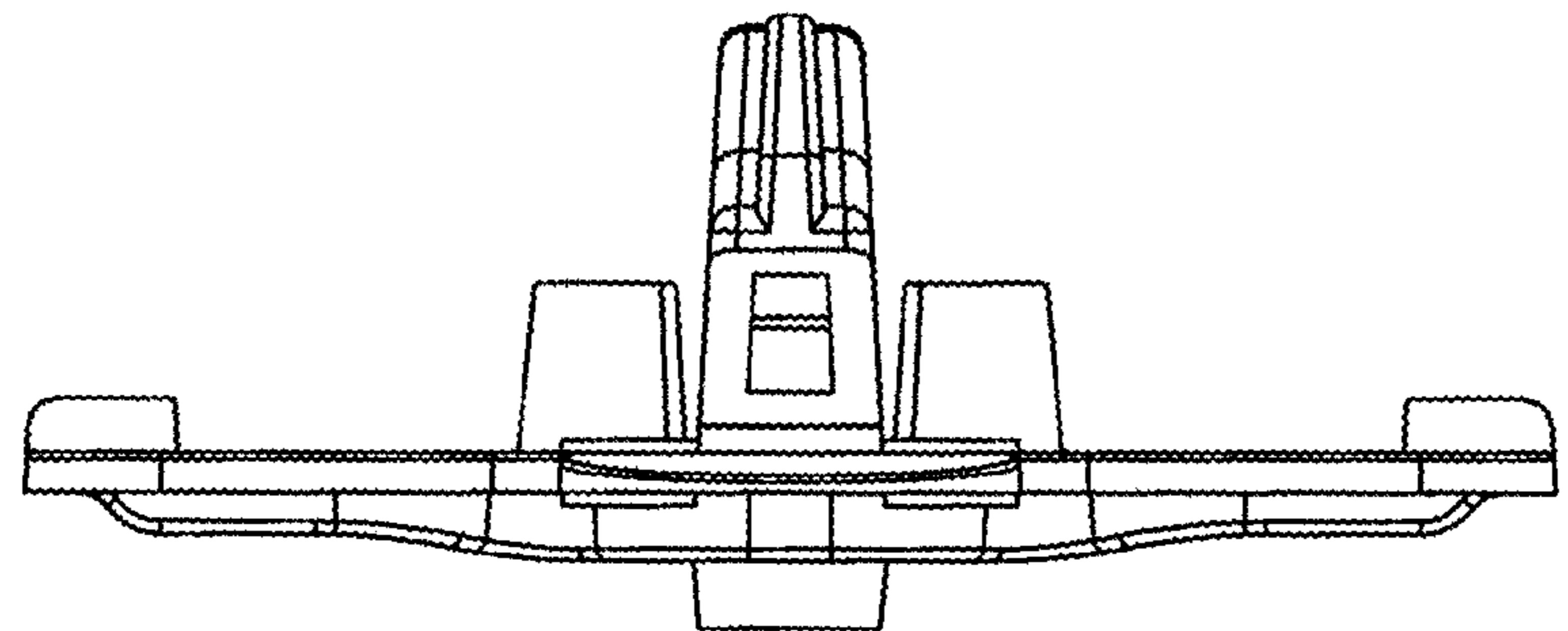
*FIG. 4*



*FIG. 5*



*FIG. 6*



*FIG. 7*