



US00D675086S

(12) **United States Design Patent**
Gary et al.

(10) **Patent No.:** **US D675,086 S**

(45) **Date of Patent:** **** Jan. 29, 2013**

(54) **ROPE LIGHT CLIP**

(75) Inventors: **Lonnie F. Gary**, Lubbock, TX (US);
James C. DeVilliers, Lubbock, TX
(US); **Alan Richard Bumbaugh**,
Lubbock, TX (US); **Randal Jay**
Kinnison, Lubbock, TX (US)

(73) Assignee: **Commercial Christmas Clip Company,**
LLC, Lubbock, TX (US)

(**) Term: **14 Years**

(21) Appl. No.: **29/422,331**

(22) Filed: **May 18, 2012**

(51) **LOC (9) Cl.** **08-08**

(52) **U.S. Cl.** **D8/395**

(58) **Field of Classification Search** D8/354,
D8/356, 371, 394-396; D19/65, 86; D24/128;
248/74.2, 215, 227.1, 49, 300, 301, 316.7,
248/51, 489; 24/570, 3.12; D32/61; D11/78.1
See application file for complete search history.

(56) **References Cited**

U.S. PATENT DOCUMENTS

1,886,882	A *	11/1932	Huber	24/698.1
D168,491	S *	12/1952	Alvarez	D19/81
D186,435	S *	10/1959	Wilson	D8/395
D251,124	S *	2/1979	Takeuchi	D19/65
4,506,419	A *	3/1985	Mitomi	24/297

D294,914	S *	3/1988	Chase et al.	D8/373
4,943,024	A *	7/1990	Meyer	248/316.7
4,962,907	A *	10/1990	Gary	248/205.3
5,002,249	A *	3/1991	Meyer	248/316.7
5,056,748	A *	10/1991	Meyer	248/316.7
5,110,078	A *	5/1992	Gary	248/206.2
D327,095	S *	6/1992	Meyer	D19/90
D417,612	S *	12/1999	Jones	D8/395
D435,684	S *	12/2000	Gary et al.	D26/138
D487,289	S *	3/2004	Richter	D19/90
D505,160	S *	5/2005	Chen et al.	D19/65
D663,947	S *	7/2012	Jertson	D3/218
D664,838	S *	8/2012	Parks	D8/395
D665,449	S *	8/2012	Guirlinger	D19/83

* cited by examiner

Primary Examiner — John Windmuller

(74) *Attorney, Agent, or Firm* — Locke Lord, LLP

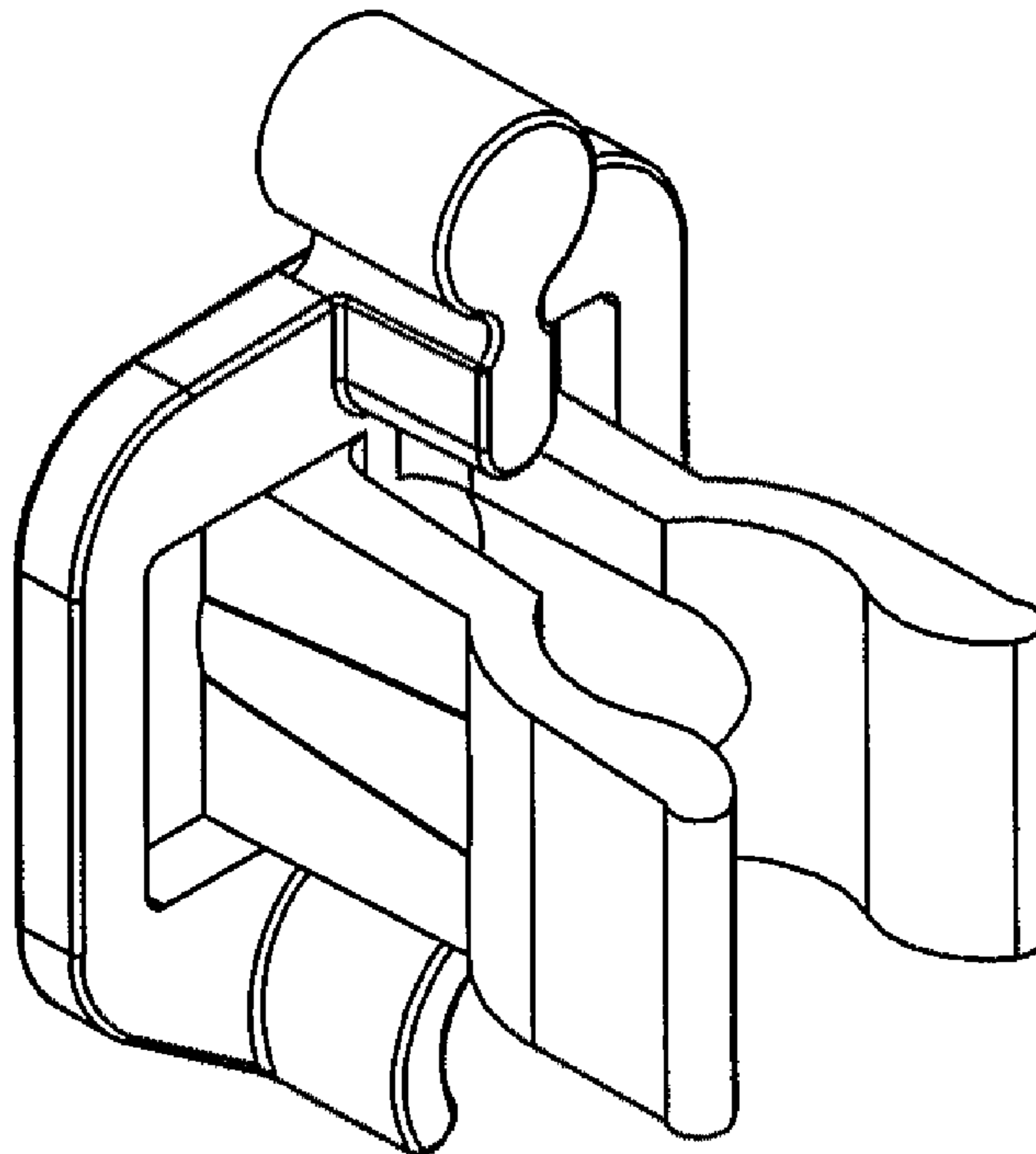
(57) **CLAIM**

The ornamental design for a rope light clip, as shown and described.

DESCRIPTION

FIG. 1 is a top perspective view;
FIG. 2 is a bottom perspective view;
FIG. 3 is a top plan view;
FIG. 4 is a bottom plan view;
FIG. 5 is a right side elevation view;
FIG. 6 is a front elevation view; and
FIG. 7 is a left side elevation view; and,
FIG. 8 is a left side elevation view.

1 Claim, 3 Drawing Sheets



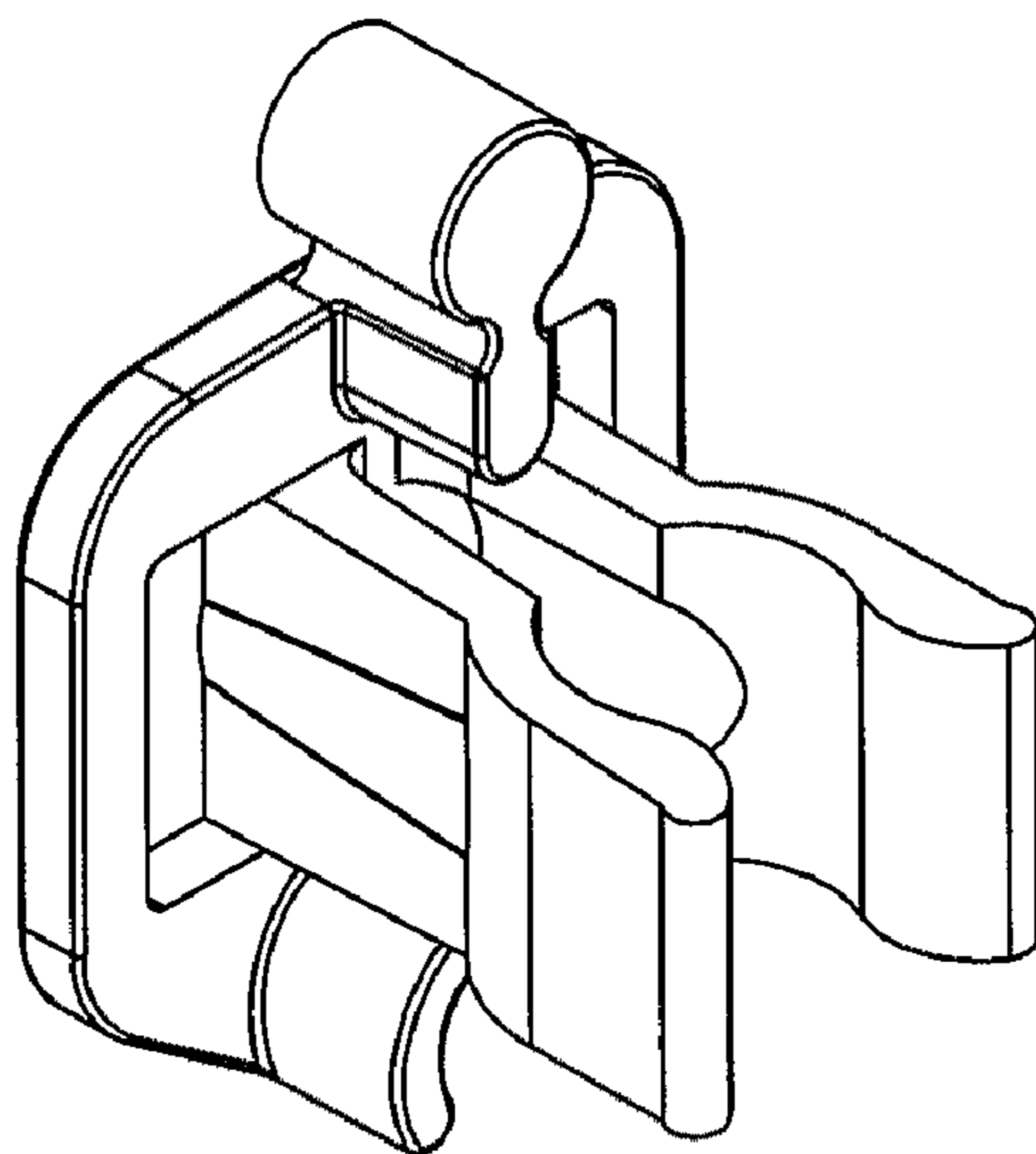


FIG. 1

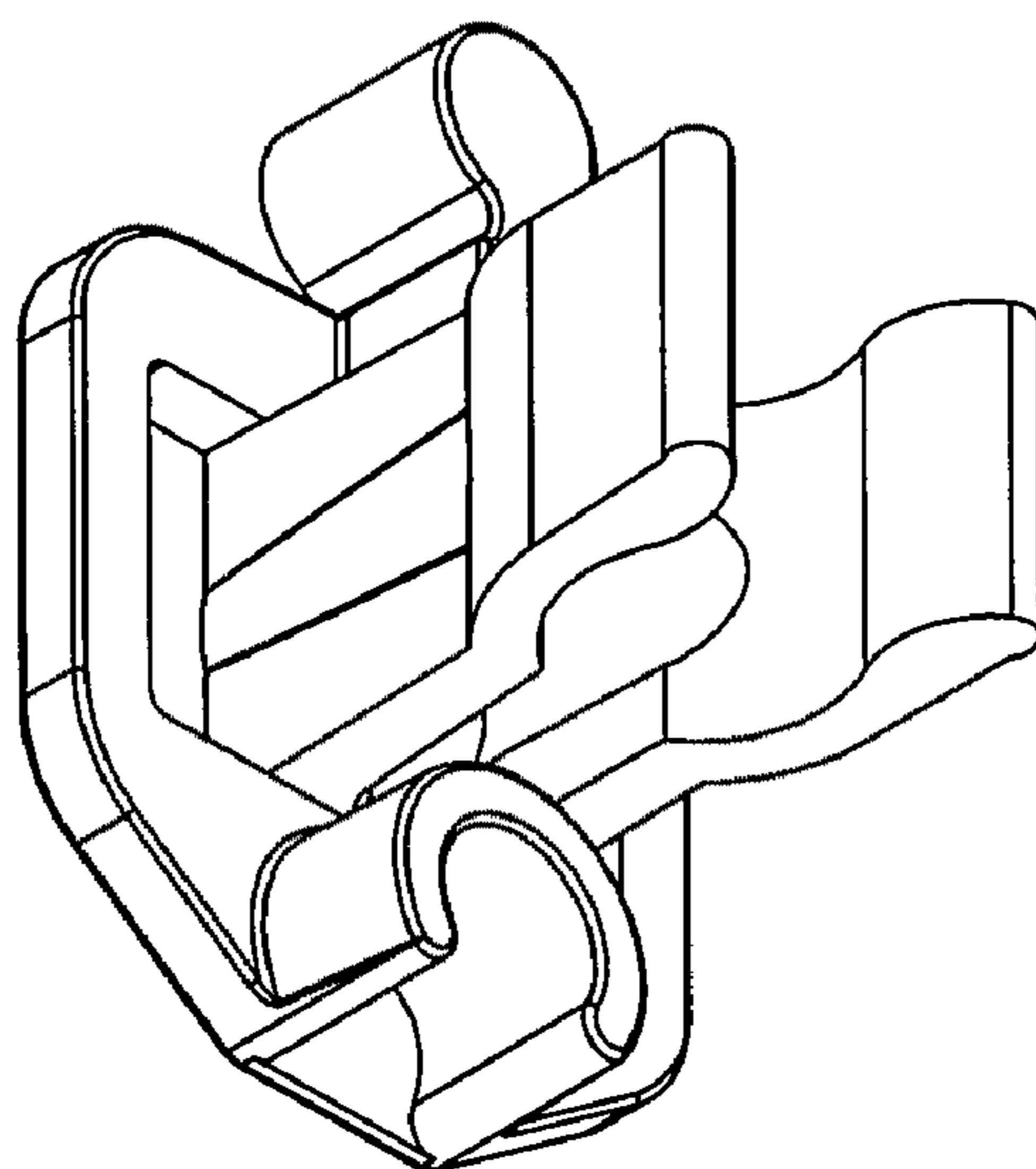


FIG. 2

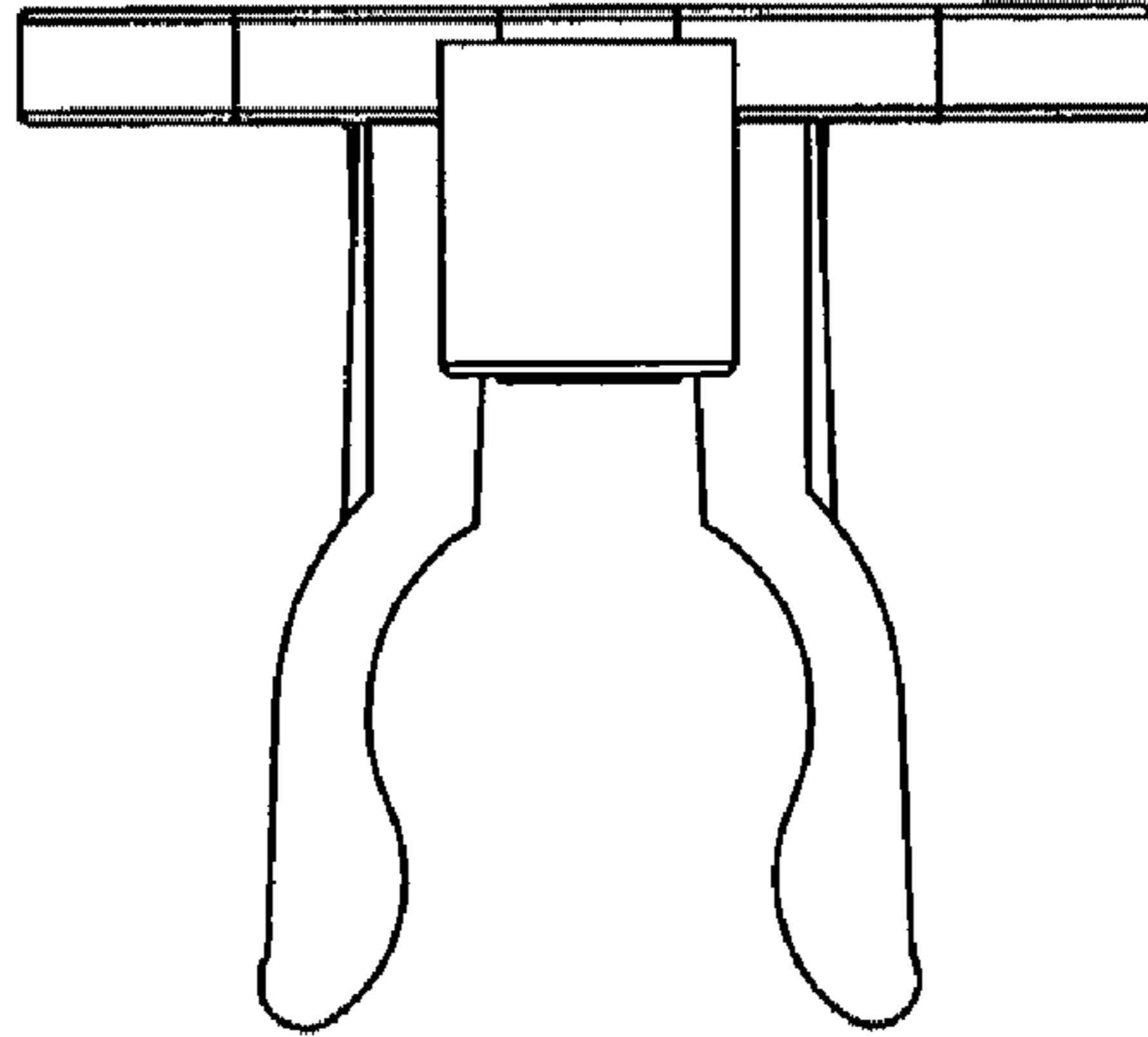


FIG. 3

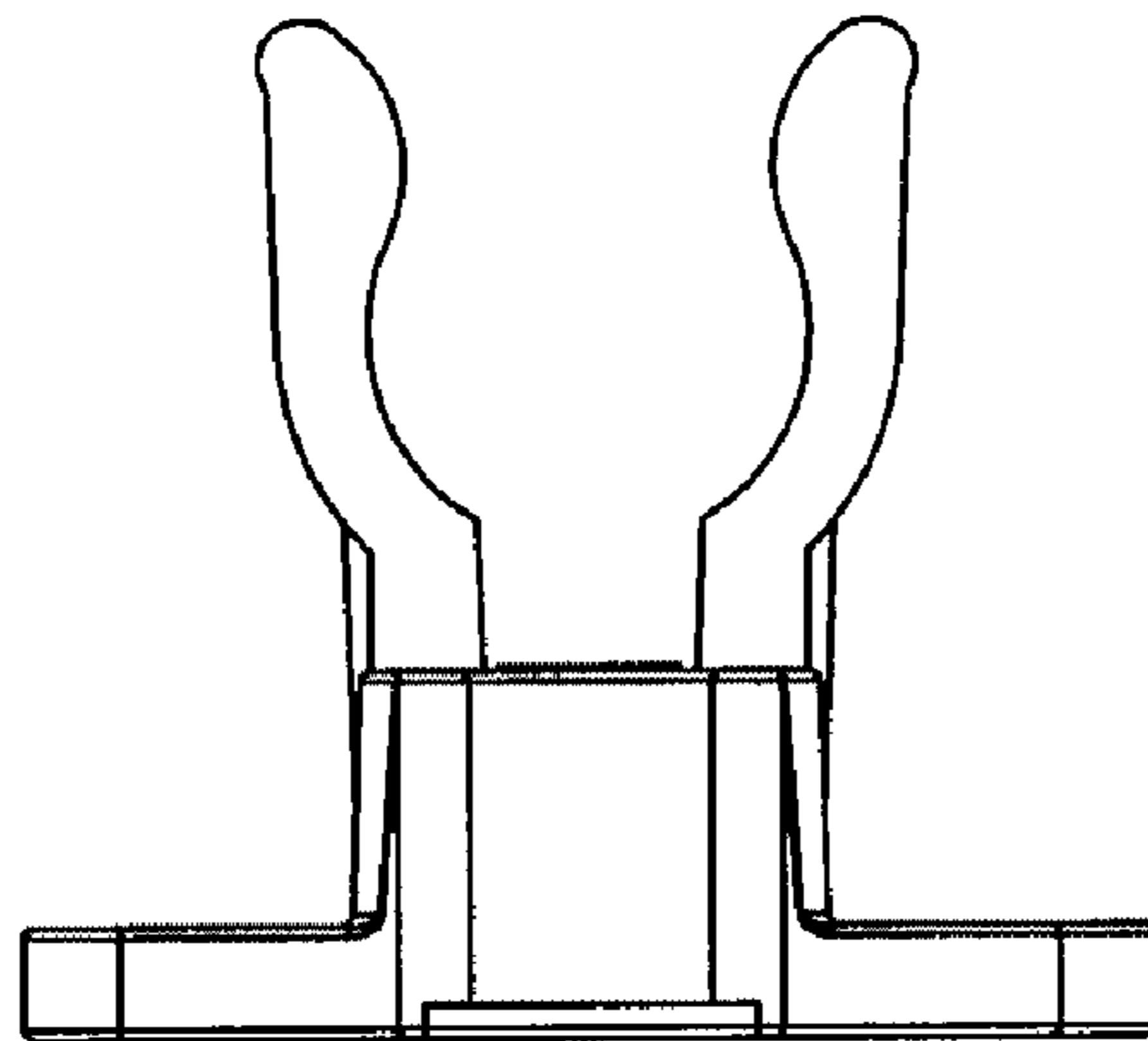


FIG. 4

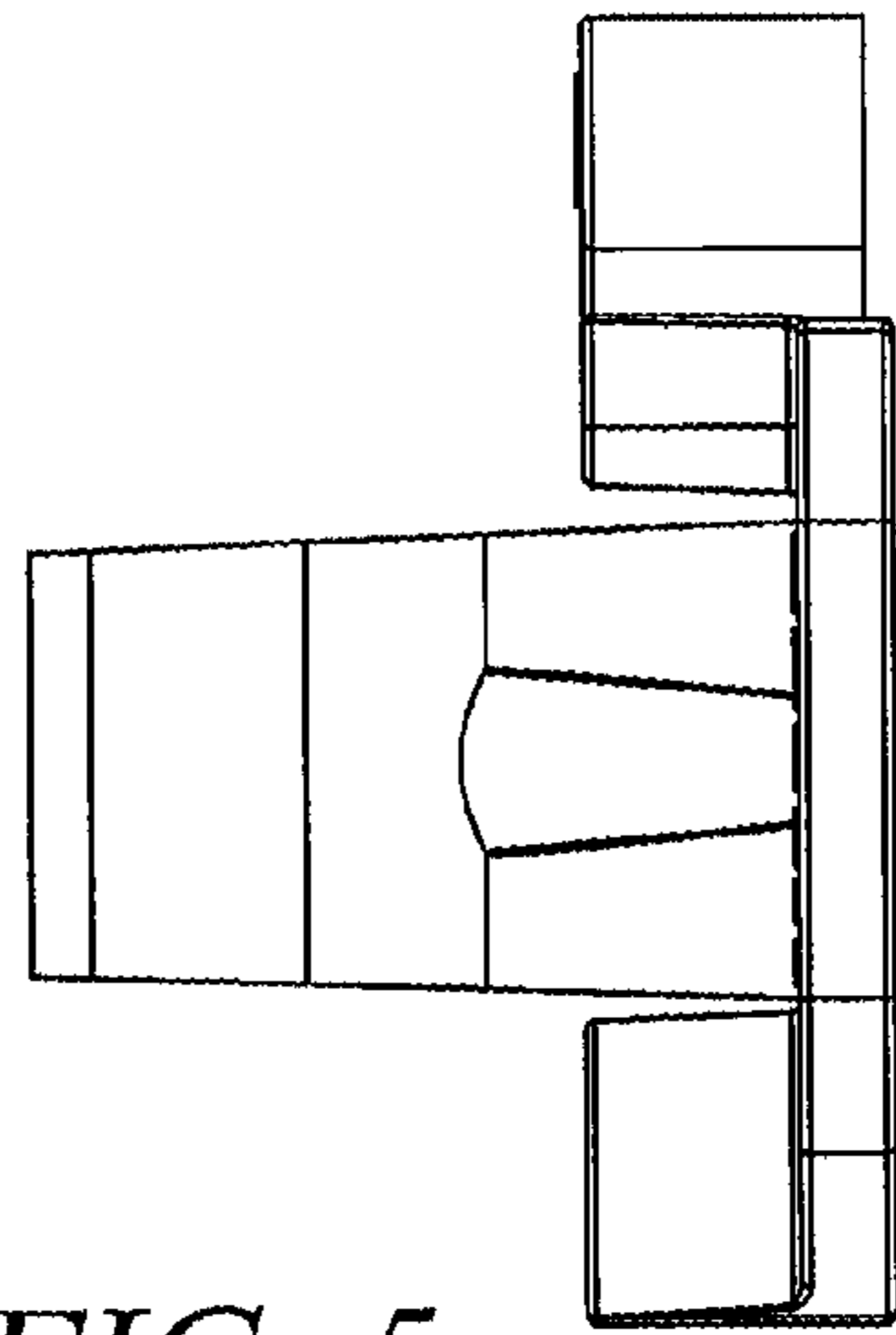


FIG. 5

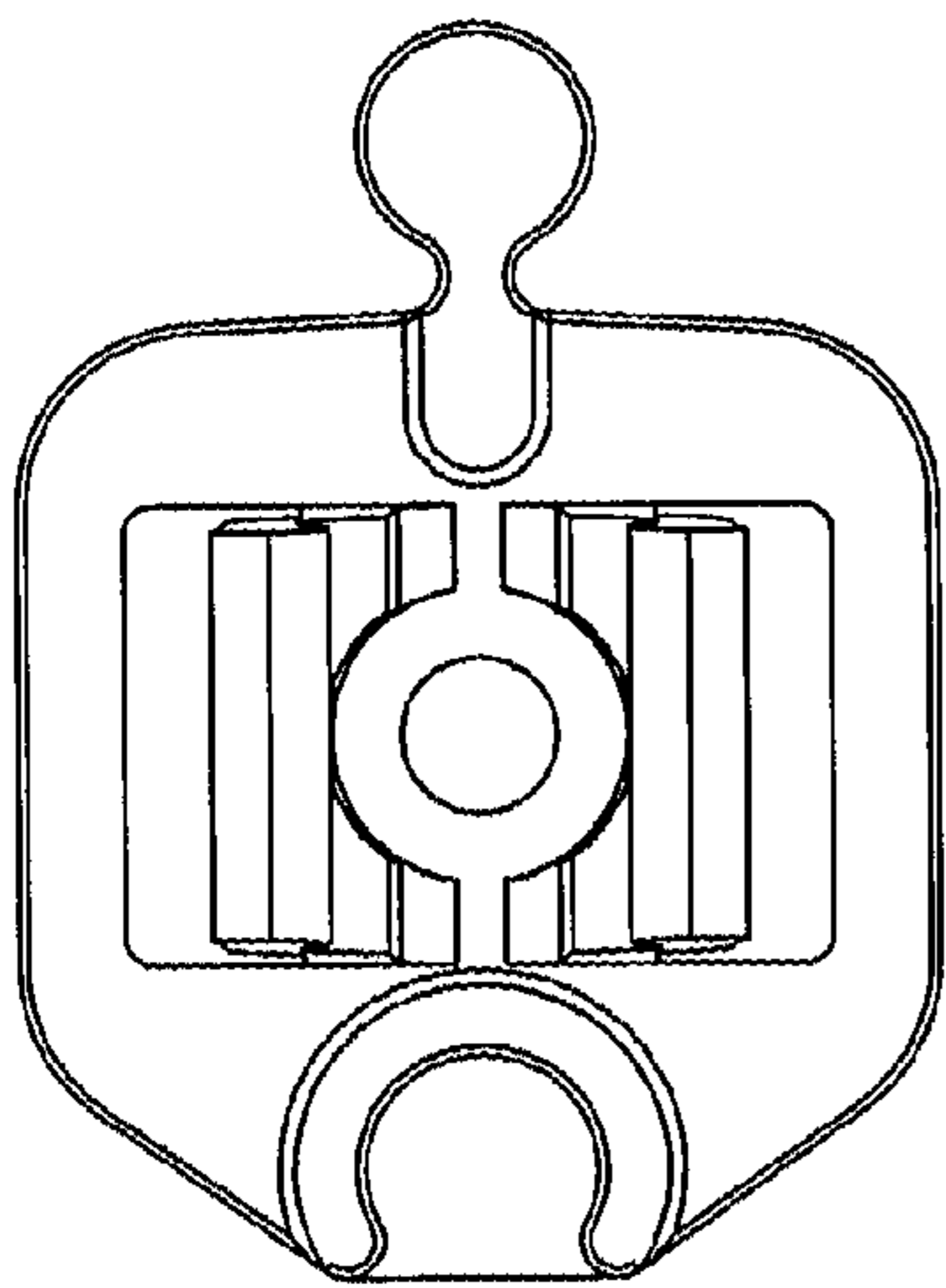


FIG. 6

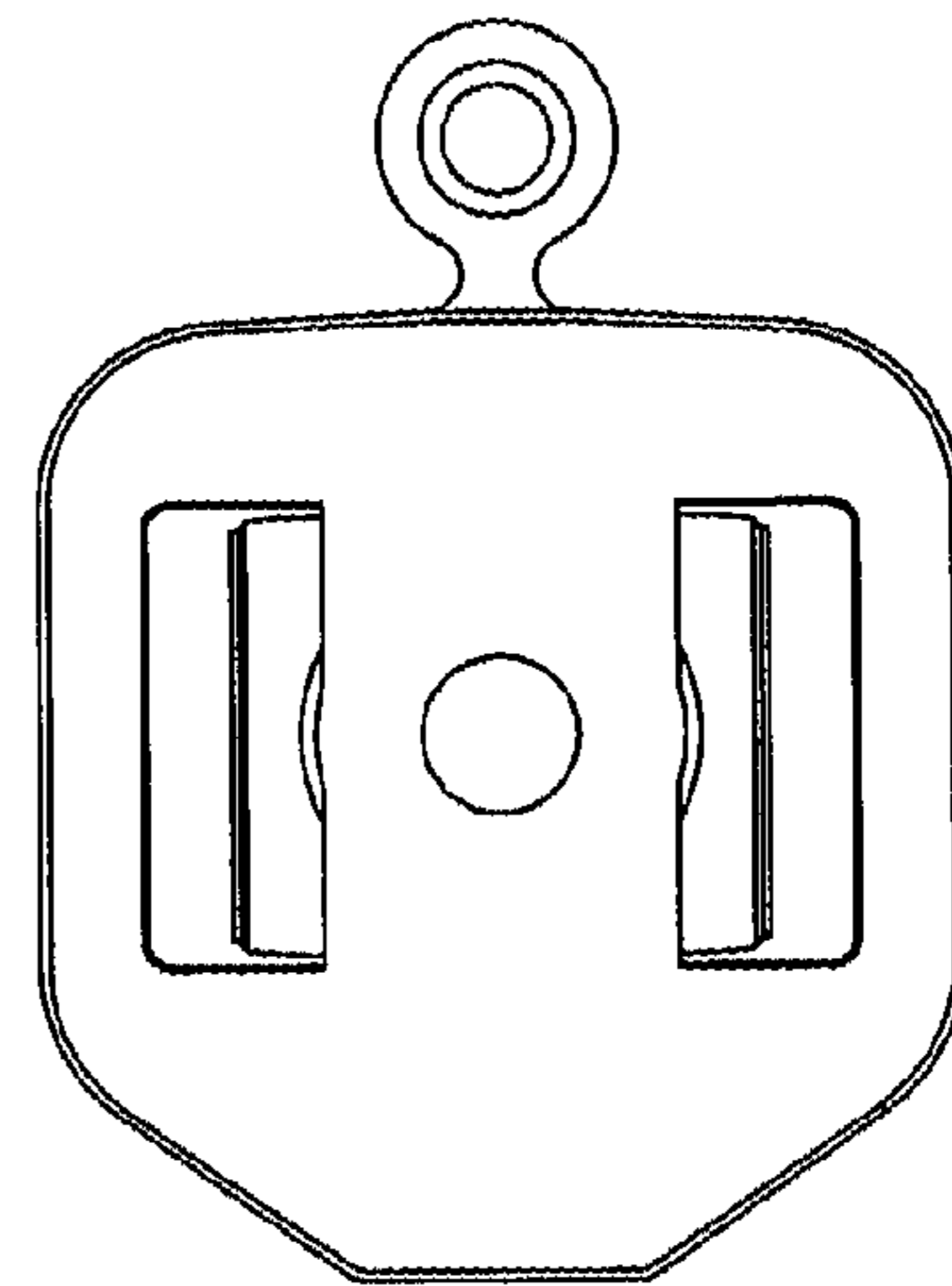


FIG. 7

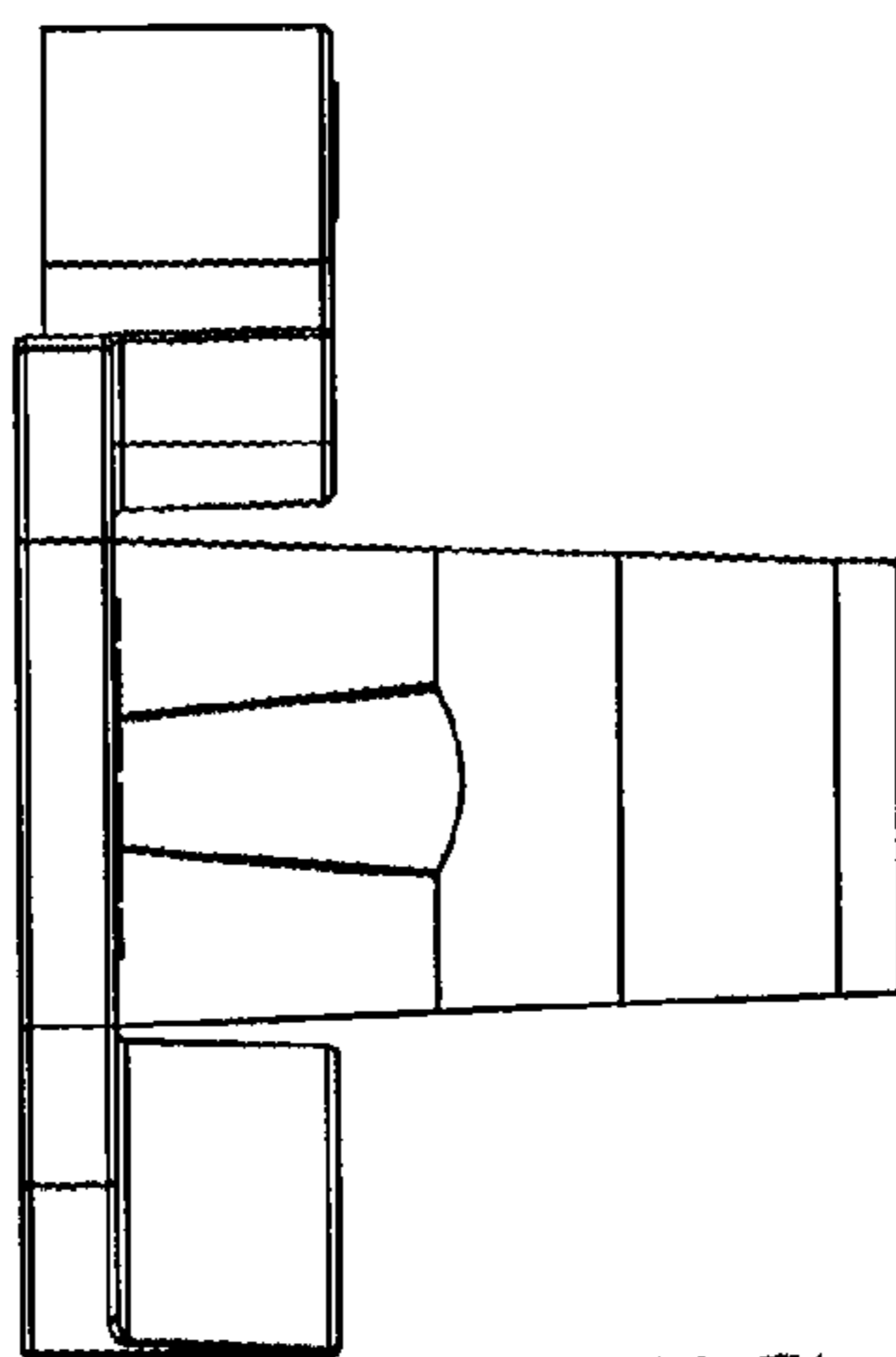


FIG. 8