



US00D675085S

(12) **United States Design Patent**  
**Murphy**

(10) **Patent No.:** **US D675,085 S**  
(45) **Date of Patent:** **\*\* Jan. 29, 2013**

(54) **DECORATIVE FLANGE FOR A HANGER**  
(75) Inventor: **Gordon Murphy**, Kalama, OR (US)  
(73) Assignee: **CTZ Global, LLC**, Las Vegas, NV (US)  
(\*\*) Term: **14 Years**  
(21) Appl. No.: **29/374,108**

5,549,234 A 8/1996 Hong  
D384,505 S \* 10/1997 Stewart ..... D3/328  
5,967,476 A 10/1999 Chen  
D445,142 S \* 7/2001 Dupont ..... D21/386  
D462,172 S \* 9/2002 Aurelio, Jr. .... D3/328  
6,443,409 B1 9/2002 Zanzucchi  
D551,978 S \* 10/2007 Daniels ..... D9/456  
D618,133 S \* 6/2010 Michaels ..... D11/157  
D623,046 S 9/2010 Murphy

\* cited by examiner

(22) Filed: **Jul. 6, 2011**  
(51) **LOC (9) Cl.** ..... **08-05**  
(52) **U.S. Cl.** ..... **D8/367**  
(58) **Field of Classification Search** ..... D3/328;  
D8/367, 387-388, 391, 373; D11/70, 81,  
D11/1, 14, 56, 103; D21/386; 248/302-303;  
D1/112

*Primary Examiner* — Holly Baynham  
(74) *Attorney, Agent, or Firm* — Robert J. Ireland

See application file for complete search history.

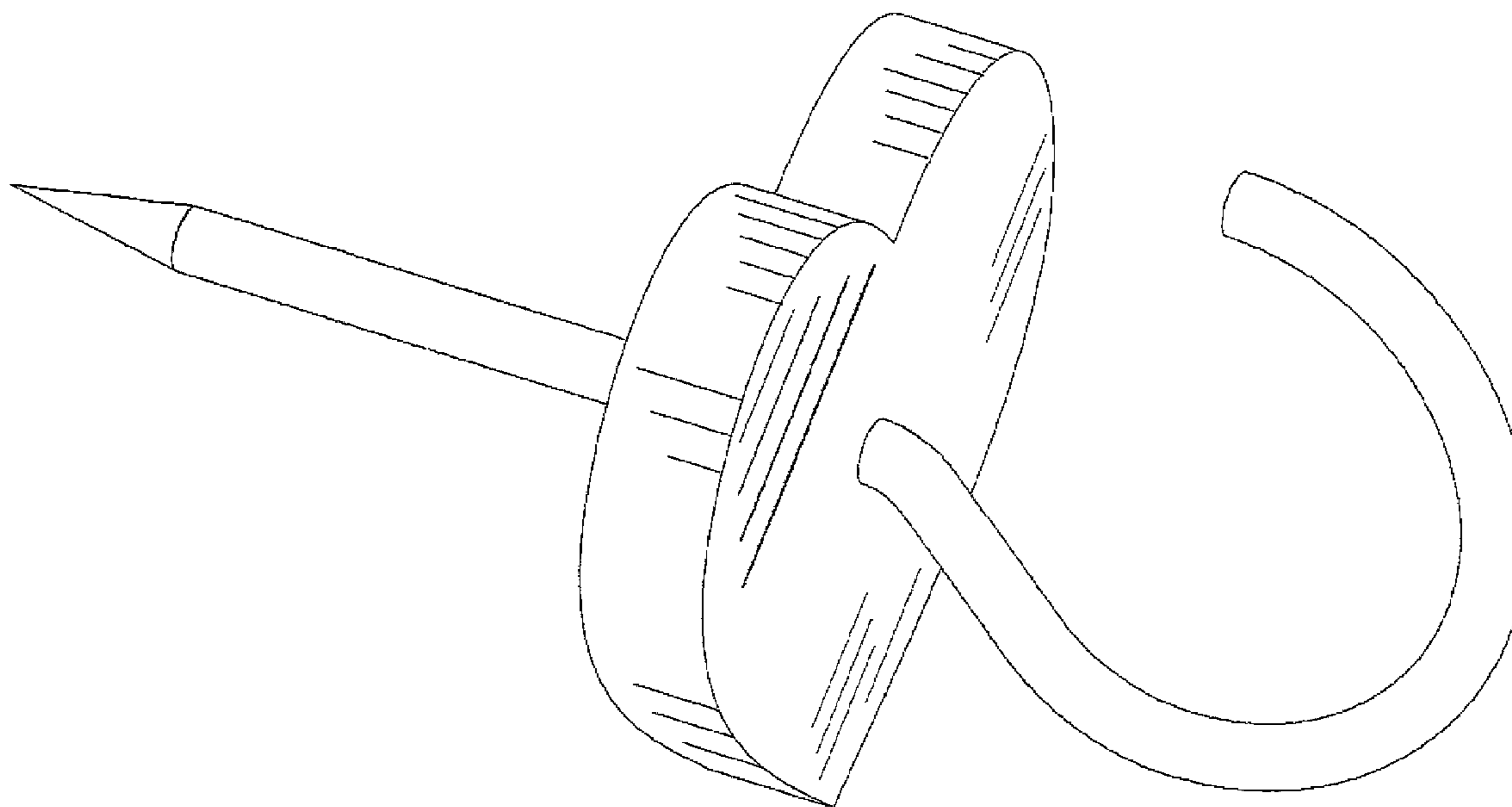
(57) **CLAIM**  
I claim the ornamental design for a decorative flange for a hanger, as shown and described.

(56) **References Cited**  
**U.S. PATENT DOCUMENTS**  
D41,838 S \* 10/1911 Biggs ..... D8/391  
1,247,912 A 11/1917 Wardner  
1,292,956 A 1/1919 McConnal  
D170,196 S 8/1953 Gries  
3,224,721 A 12/1965 Malmquist  
5,102,129 A \* 4/1992 Roberts ..... 473/414  
D369,836 S \* 5/1996 Mazzio ..... D21/386

**DESCRIPTION**

FIG. 1 is a perspective side view thereof;  
FIG. 2 is a front view thereof;  
FIG. 3 is a back view thereof;  
FIG. 4 is a right side view with the left side being a mirror image thereof;  
FIG. 5 is a top view thereof; and,  
FIG. 6 is a bottom view thereof.

**1 Claim, 6 Drawing Sheets**



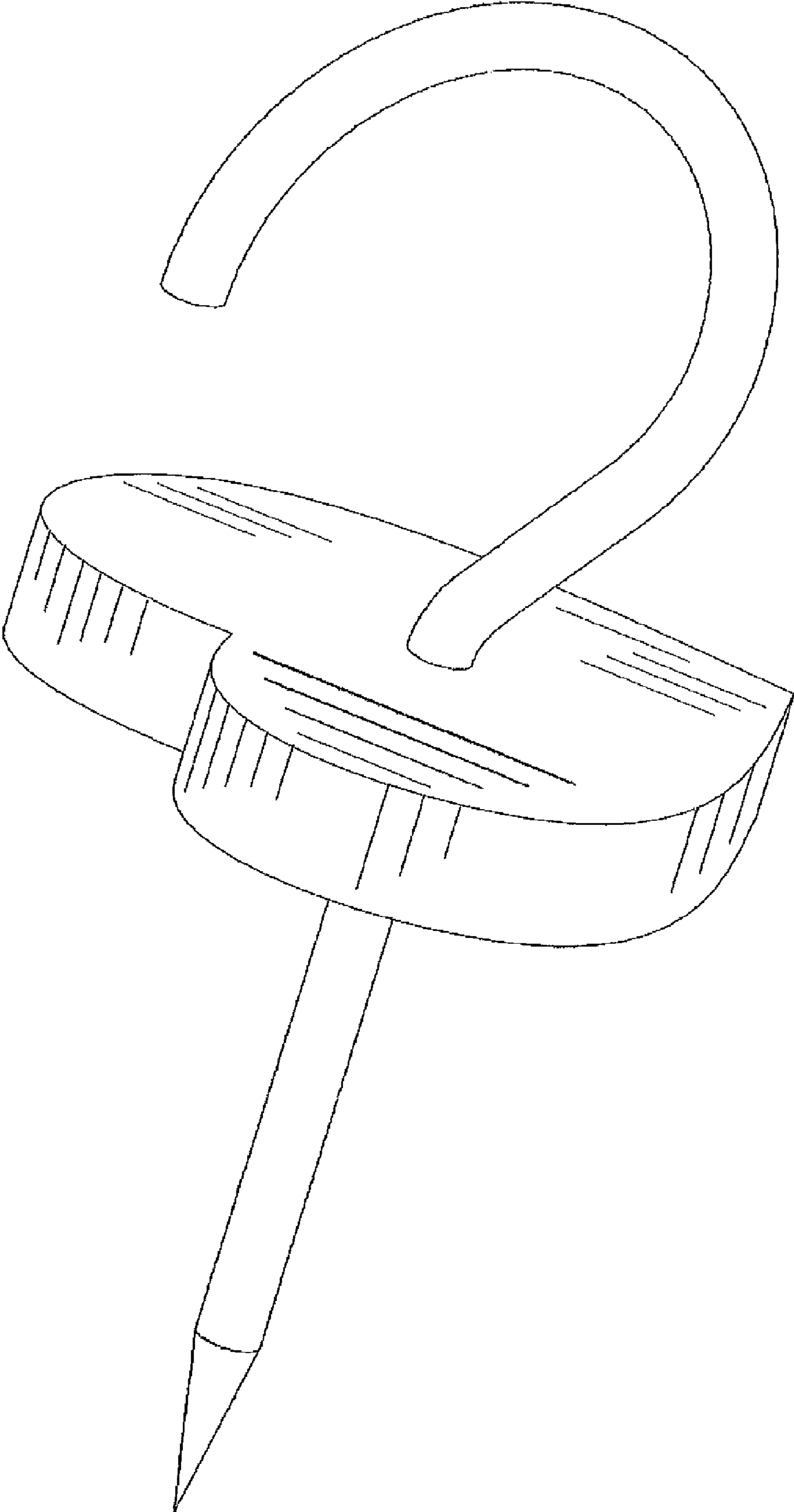


Fig. 1

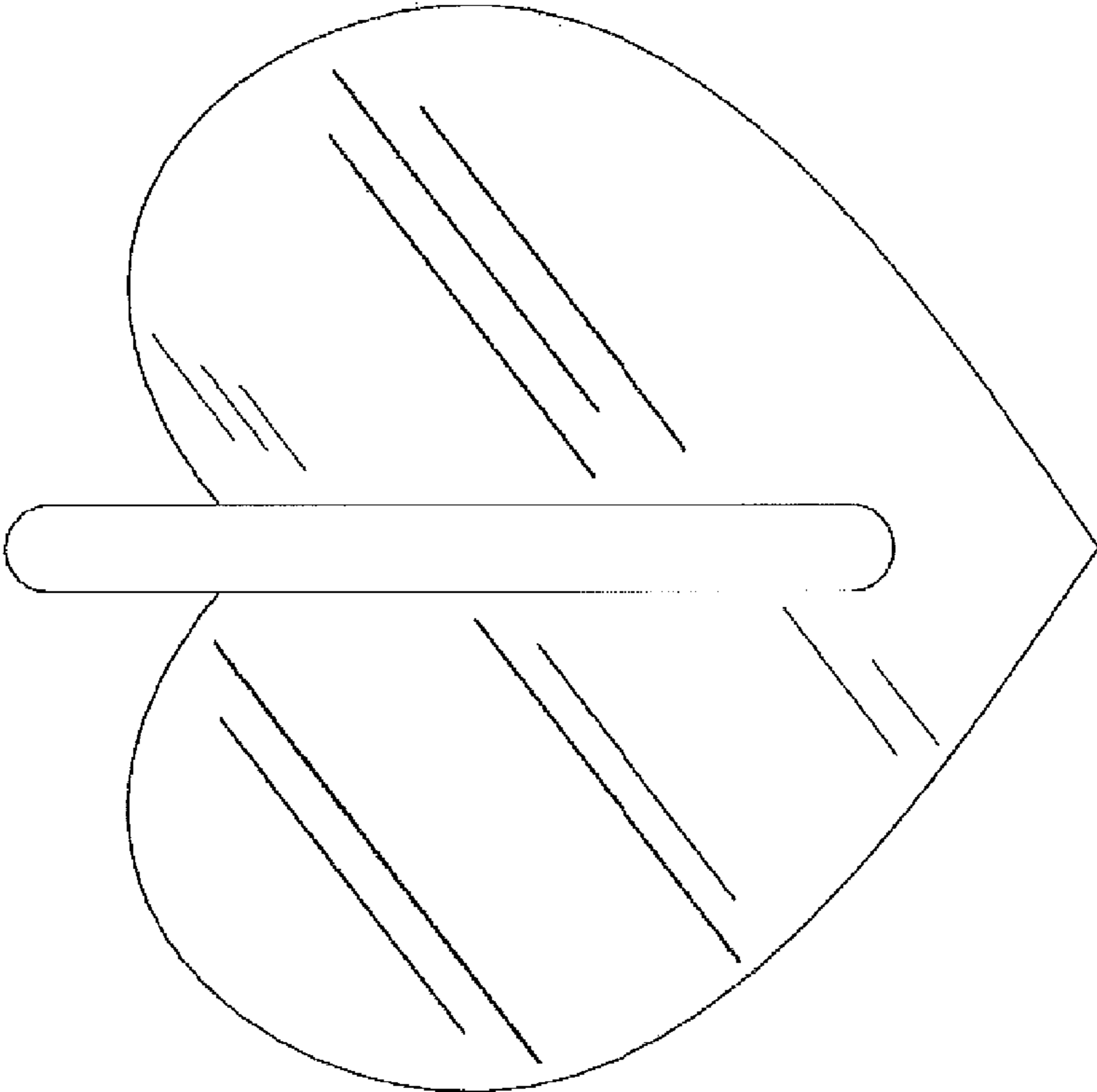


Fig. 2

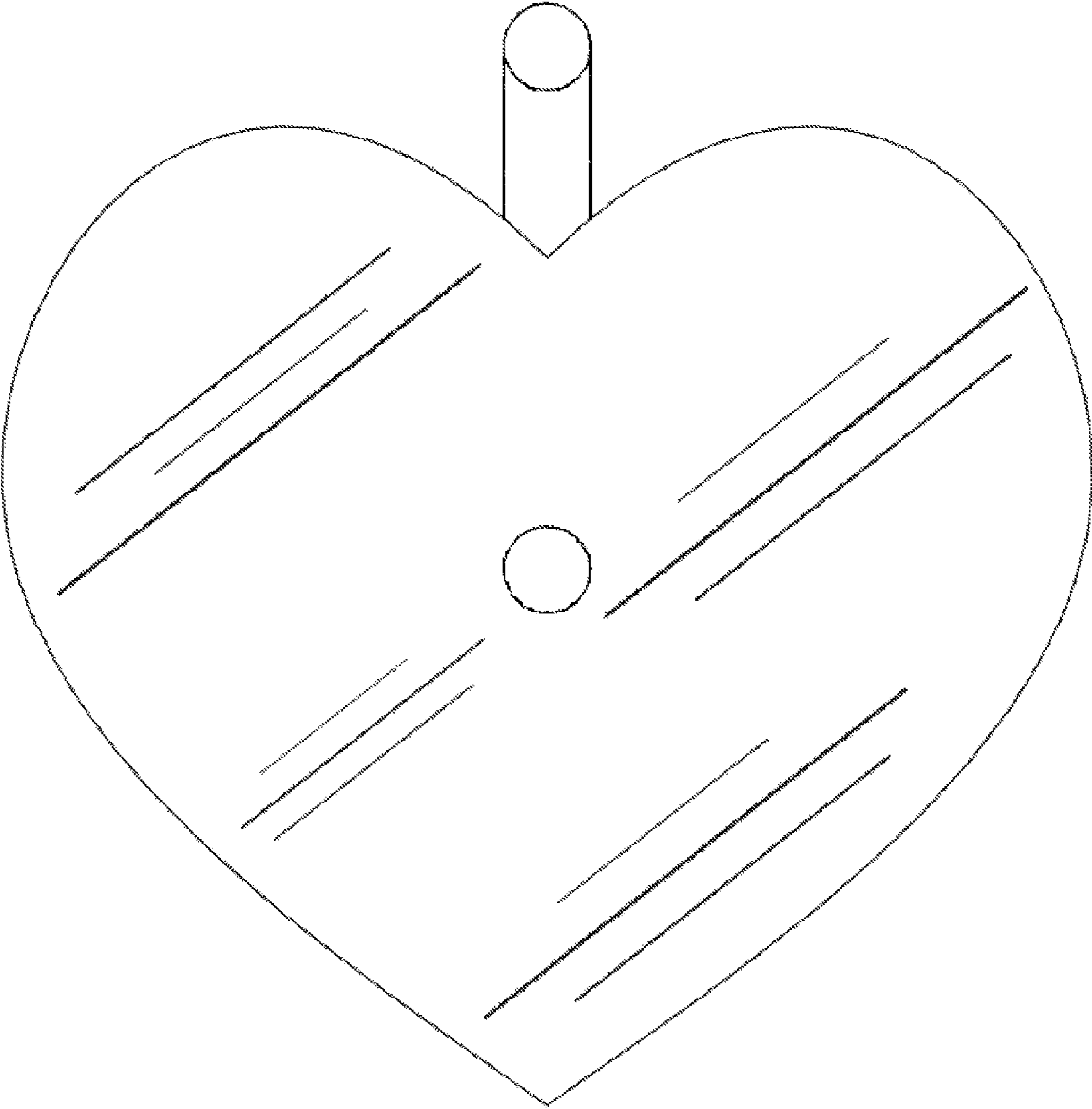


Fig. 3

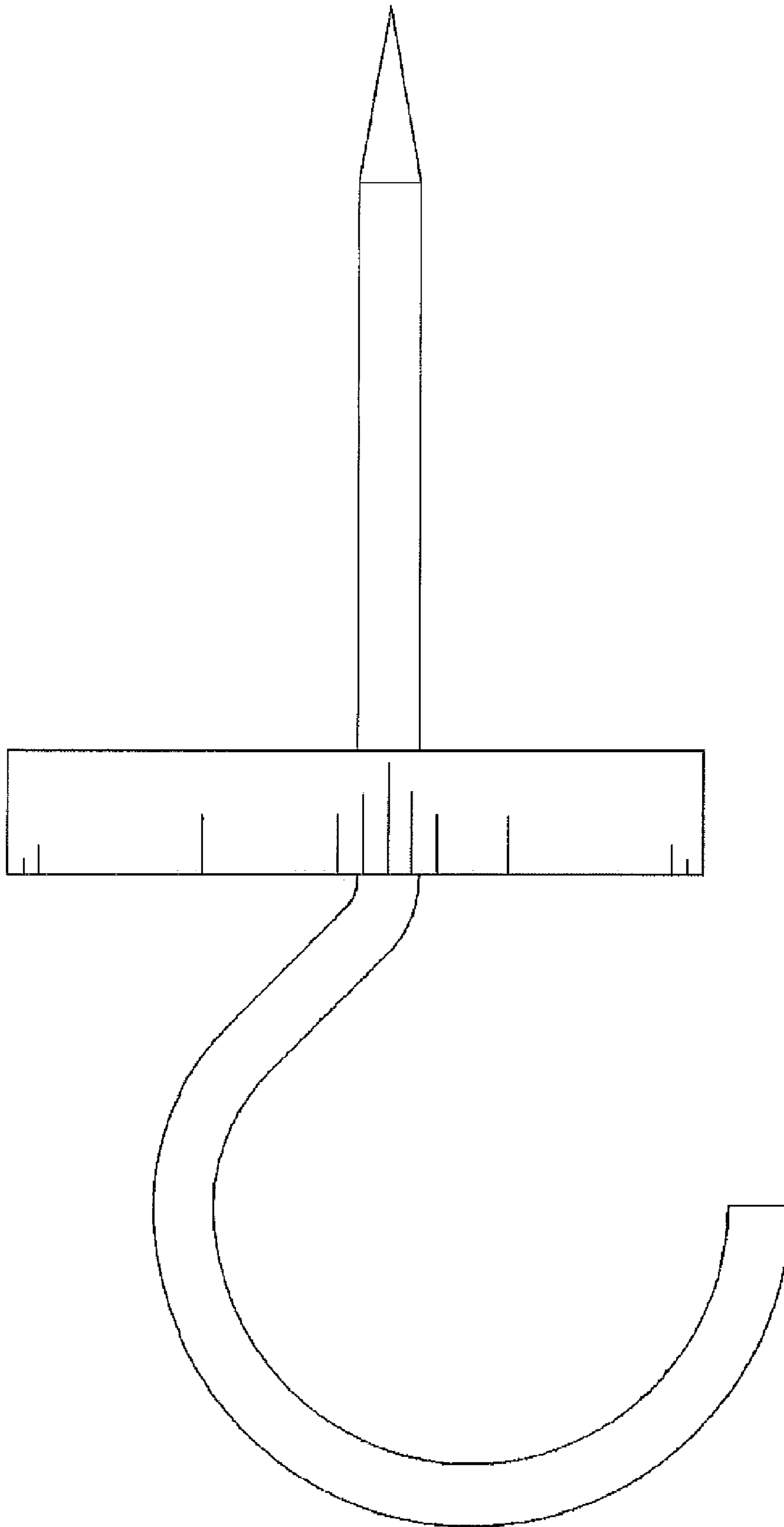


Fig. 4

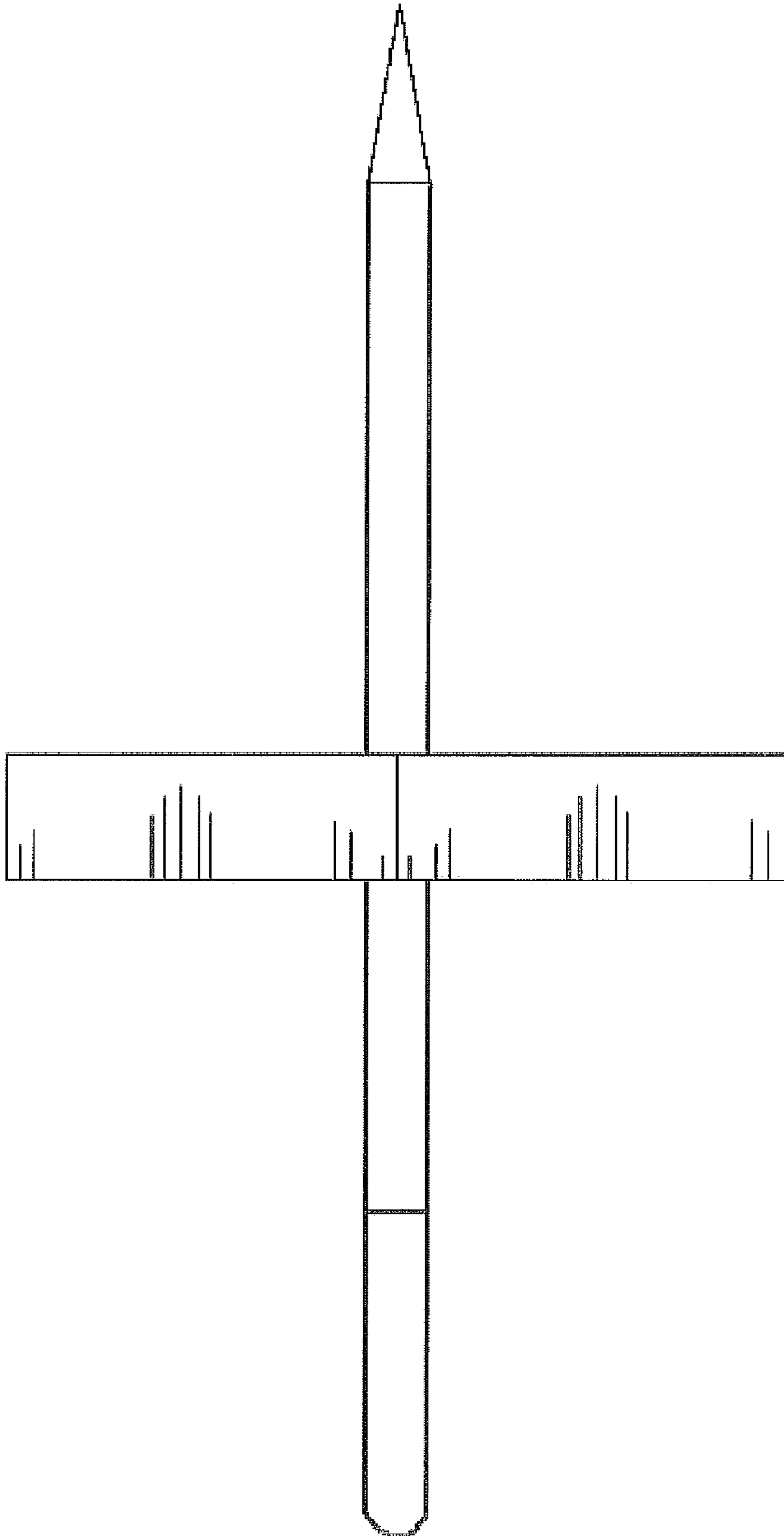


Fig. 5

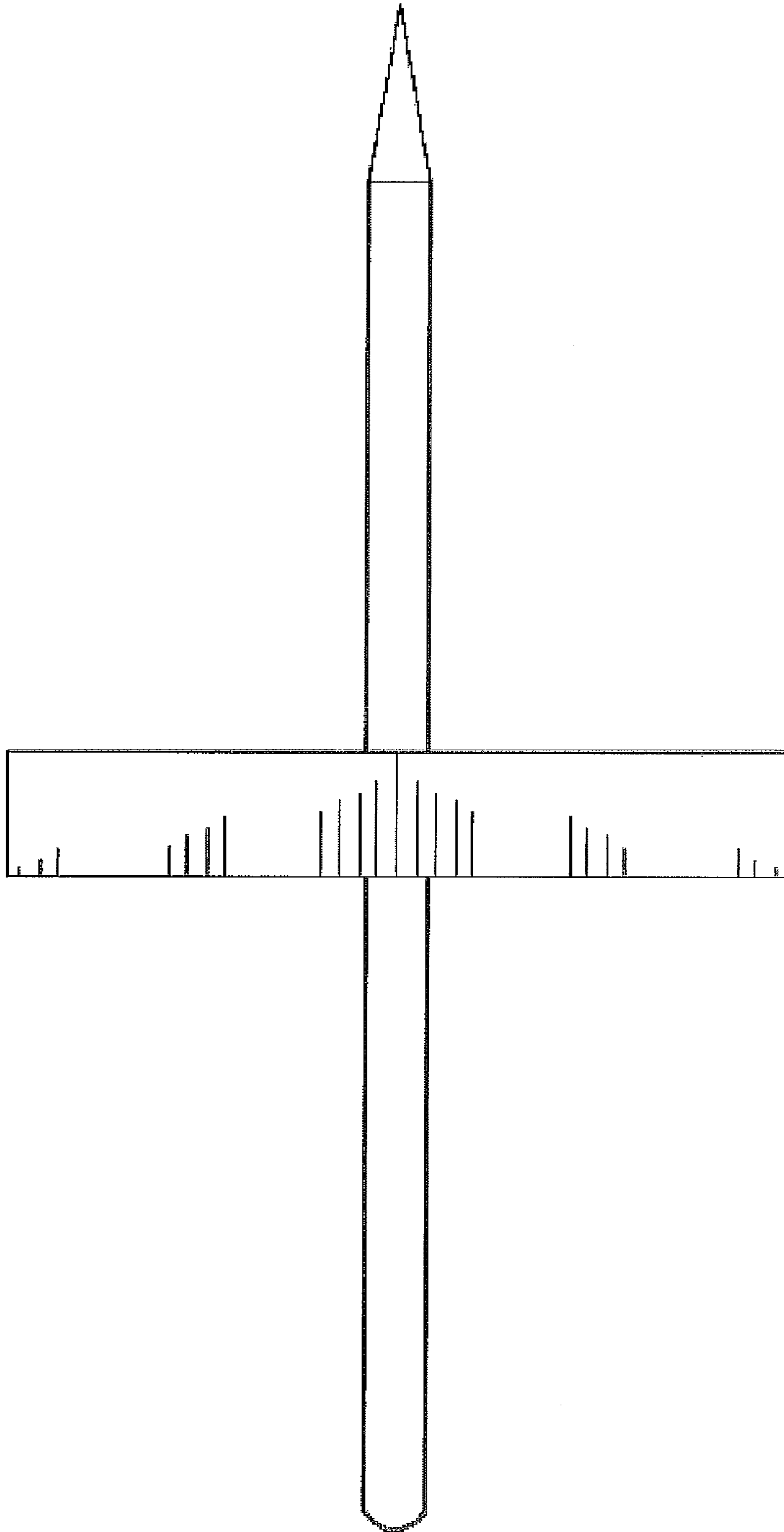


Fig. 6