



US00D675080S

(12) **United States Design Patent**  
**Tejszerski et al.**

(10) **Patent No.:** **US D675,080 S**  
(45) **Date of Patent:** **\*\* Jan. 29, 2013**

- (54) **HANDLE**
- (75) Inventors: **Filip Tejszerski**, Mosman (AU); **Linn Thu Yein Tun**, Baulkham Hills (AU)
- (73) Assignee: **D & D Group Pty Ltd**, Frenchs Forest (AU)
- (\*\*) Term: **14 Years**
- (21) Appl. No.: **29/384,902**
- (22) Filed: **Feb. 4, 2011**
- (51) **LOC (9) Cl.** ..... **08-07**
- (52) **U.S. Cl.** ..... **D8/330; D8/343**
- (58) **Field of Classification Search** ..... D8/331, D8/336, 343, 330-302; 70/14, 90, 92, 101, 70/109, 124, 207, 213, 214, 229, 219, 266, 70/177, 278.1, 282, 285  
See application file for complete search history.

2,058,163 A	10/1936	Malone
2,203,197 A	6/1940	Henry
2,218,183 A	10/1940	Springer
2,219,186 A	10/1940	Hornfeck
2,288,688 A	7/1942	Dubilier
2,313,712 A	3/1943	Jacobi
2,370,691 A	3/1945	Schlage
2,514,927 A	7/1950	Bernhard
2,586,900 A	2/1952	Alderman
2,597,174 A	5/1952	Patton et al.
2,615,744 A	10/1952	Colonna
2,690,349 A	9/1954	Teetor
2,726,891 A	12/1955	Gresham et al.
2,767,007 A	10/1956	Burke
2,797,655 A	7/1957	Morehouse
2,839,912 A	6/1958	Corbin et al.
2,942,907 A	6/1960	Nagel et al.

(Continued)

**FOREIGN PATENT DOCUMENTS**

AU 29217-30 9/1931

(Continued)

*Primary Examiner* — Prabhakar Deshmukh  
(74) *Attorney, Agent, or Firm* — Kelly & Kelley, LLP

(56) **References Cited**

**U.S. PATENT DOCUMENTS**

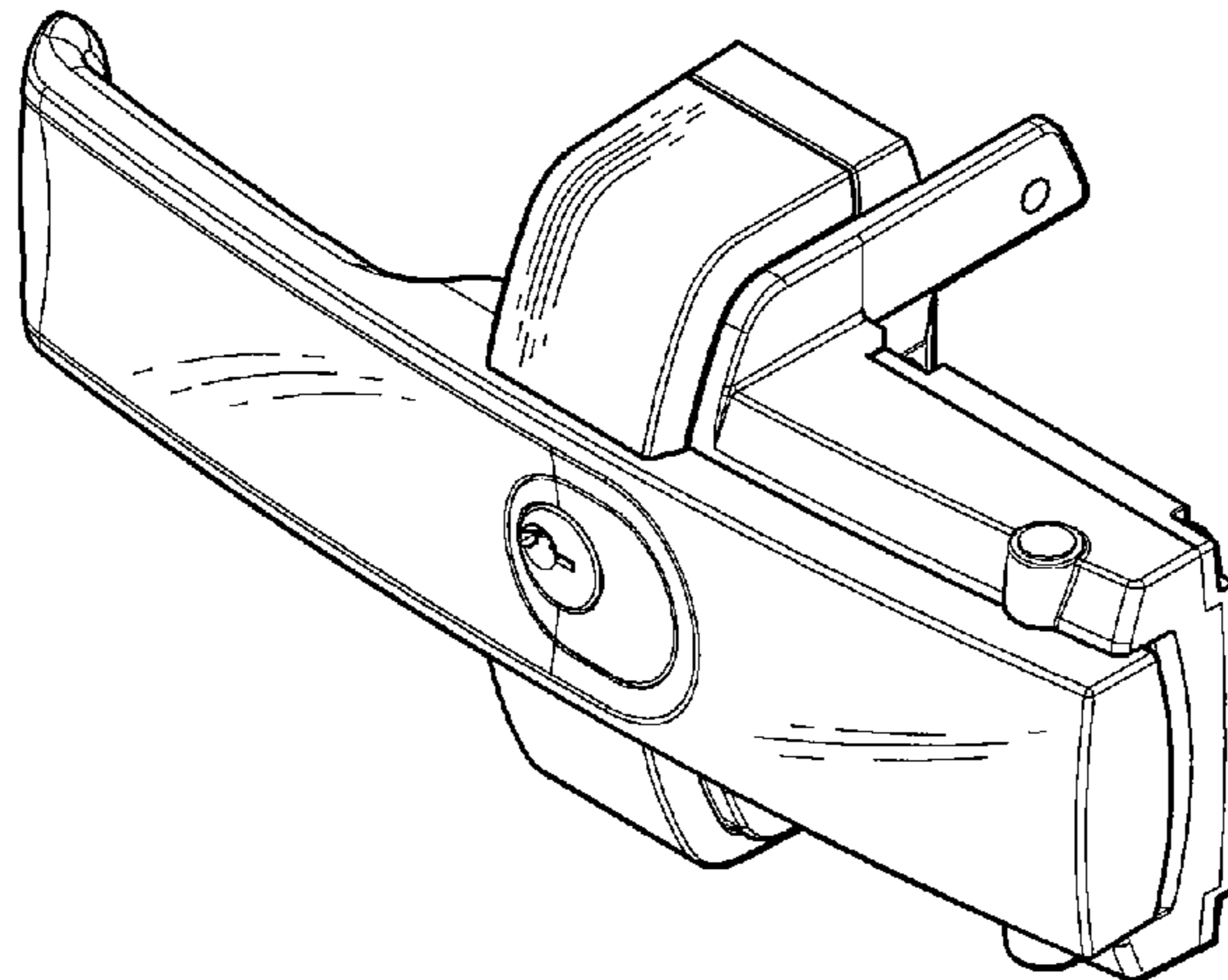
17,354 A	5/1857	Smith
29,212 A	7/1860	Acker
137,951 A	4/1873	Palmer
RE5,932 E	6/1874	Acker
204,267 A	5/1878	Unger
329,032 A	10/1885	Falls
391,433 A	10/1888	Stover
631,797 A	8/1899	Krause
D32,818 S	6/1900	Greenawalt
754,690 A	3/1904	Pelzer
776,153 A	11/1904	Swacick
887,548 A	5/1908	Trumble
926,520 A	6/1909	Thornton et al.
971,281 A	9/1910	Keene et al.
1,185,503 A	5/1916	Harsh
1,530,341 A	3/1925	Bannochie
1,538,056 A	5/1925	Olson
1,586,615 A	6/1926	Elliott
1,789,775 A	1/1931	Russ et al.
1,883,506 A	10/1932	Bommer
1,892,584 A	12/1932	Olson
1,958,940 A	5/1934	Cavanaugh et al.

(57) **CLAIM**  
The ornamental design for a handle, as shown and described.

**DESCRIPTION**

FIG. 1 is a front perspective view of a handle showing our new design;  
FIG. 2 is a rear perspective view thereof;  
FIG. 3 is a front elevational view thereof;  
FIG. 4 is a left side elevational view thereof;  
FIG. 5 is a right side elevational view thereof;  
FIG. 6 is a rear elevational view thereof;  
FIG. 7 is a bottom plan view thereof; and,  
FIG. 8 is a top plan view thereof.  
The broken lines are included for purpose of showing environmental context of the design and form no part of the claimed design.

**1 Claim, 4 Drawing Sheets**



# US D675,080 S

## U.S. PATENT DOCUMENTS

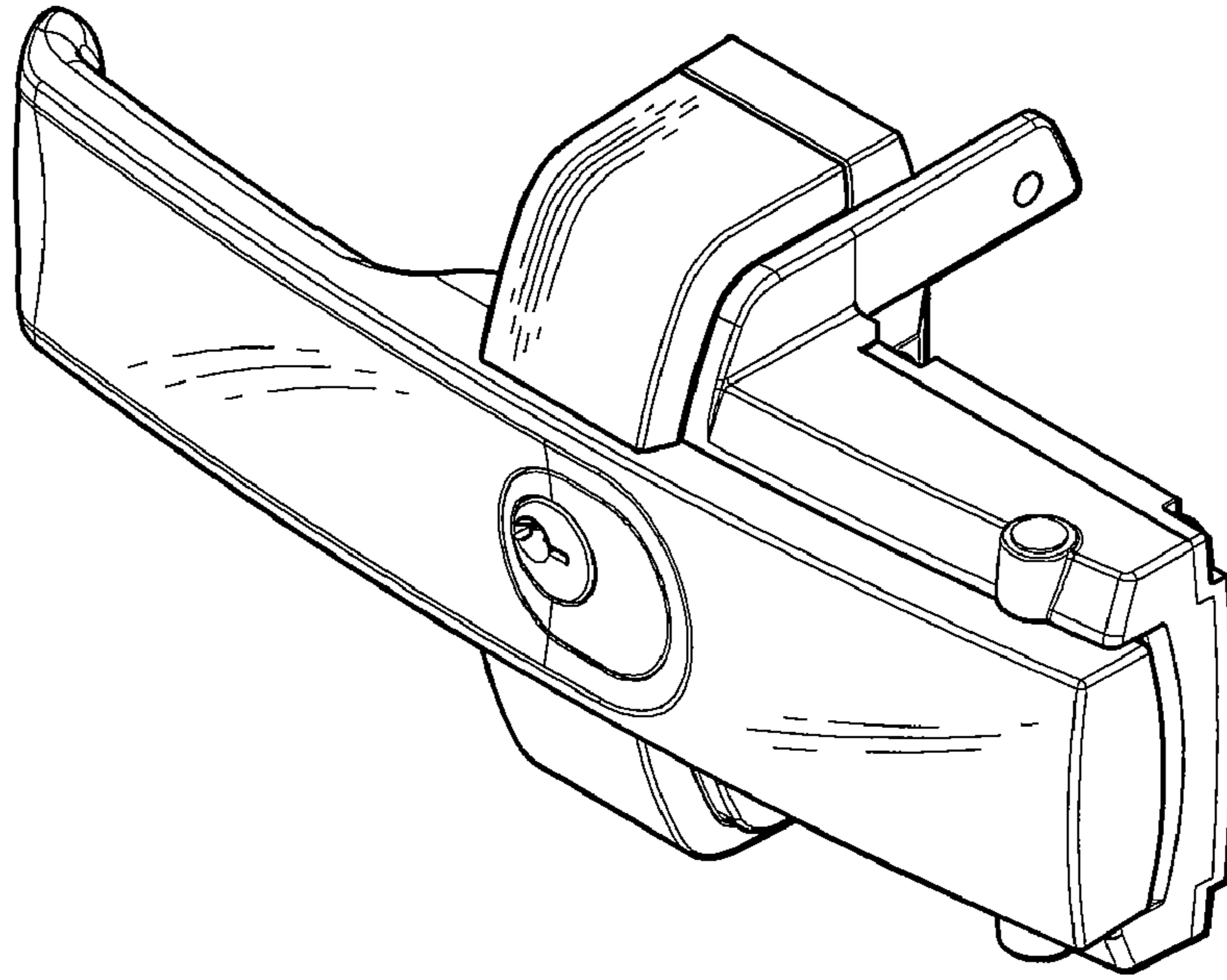
2,953,916 A 9/1960 Thomas  
 2,988,389 A 6/1961 Wilson  
 3,040,555 A 6/1962 Wartian  
 3,046,776 A 7/1962 Marotto et al.  
 3,098,258 A 7/1963 Ruiz  
 3,107,113 A 10/1963 Sconzo  
 3,111,021 A 11/1963 Patriquin et al.  
 3,115,026 A 12/1963 Moore et al.  
 3,161,036 A 12/1964 Himes  
 3,273,925 A 9/1966 Graham  
 3,314,707 A 4/1967 Van Donselaar  
 3,316,582 A 5/1967 Johnson et al.  
 3,334,936 A 8/1967 Hekelaar et al.  
 3,350,127 A 10/1967 Hekelaar  
 3,380,109 A 4/1968 Ruiz  
 D212,861 S 12/1968 Raymond  
 3,433,518 A 3/1969 Foltz  
 3,516,701 A 6/1970 Graham  
 3,538,538 A 11/1970 Field  
 3,591,219 A 7/1971 Graziosi  
 3,593,547 A 7/1971 Taylor  
 3,677,591 A 7/1972 Waldo  
 3,691,799 A 9/1972 Hoffmann et al.  
 3,705,505 A 12/1972 Landow et al.  
 3,778,866 A 12/1973 Nakanishi  
 3,785,186 A 1/1974 James et al.  
 3,794,366 A 2/1974 Graham  
 3,825,973 A 7/1974 Gwozdz  
 3,881,331 A 5/1975 Tranberg et al.  
 3,890,813 A 6/1975 Cothron  
 3,903,567 A 9/1975 Suska  
 3,965,533 A 6/1976 Fröhlich  
 3,978,551 A 9/1976 Mochizuki  
 4,014,192 A 3/1977 Dillon et al.  
 4,025,095 A 5/1977 Hausladen  
 4,069,545 A 1/1978 Holet et al.  
 4,073,038 A 2/1978 Curry et al.  
 4,073,520 A 2/1978 Tsuchiya et al.  
 4,118,055 A 10/1978 Bischoff, Jr.  
 4,339,845 A 7/1982 Newlon et al.  
 4,378,684 A 4/1983 Dugan et al.  
 4,414,828 A 11/1983 Takinami et al.  
 4,583,262 A 4/1986 Werner  
 4,691,541 A 9/1987 McQuade, Sr. et al.  
 4,732,418 A 3/1988 Crown et al.  
 4,751,765 A 6/1988 Wu  
 4,817,242 A 4/1989 Rapp  
 D301,116 S 5/1989 Foshee et al.  
 4,838,053 A 6/1989 Shen  
 4,848,812 A 7/1989 Slaughter  
 4,919,463 A 4/1990 McQuade  
 4,921,289 A 5/1990 Shen  
 4,938,508 A 7/1990 Thomas  
 4,962,567 A 10/1990 Dixon  
 5,018,920 A 5/1991 Speakman  
 5,024,473 A 6/1991 McQuade  
 5,029,912 A 7/1991 Gotanda  
 5,031,270 A 7/1991 Lee  
 5,063,764 A 11/1991 Amis et al.  
 5,103,658 A 4/1992 McQuade  
 5,149,155 A 9/1992 Caeti et al.  
 5,177,987 A 1/1993 Shen  
 D335,718 S 5/1993 Maglica et al.  
 5,265,924 A 11/1993 Kim  
 D342,952 S 1/1994 Yoder  
 5,356,095 A 10/1994 Aker  
 5,358,292 A 10/1994 Van Wiebe et al.  
 5,362,116 A 11/1994 Doyle et al.  
 5,526,659 A 6/1996 Takimoto  
 D371,503 S 7/1996 Nakano

5,572,768 A 11/1996 Daul  
 5,584,100 A 12/1996 Doyle et al.  
 5,655,801 A 8/1997 Casey  
 5,715,574 A 2/1998 Schall  
 5,876,073 A 3/1999 Geringer et al.  
 6,058,747 A 5/2000 Doyle et al.  
 6,174,005 B1 1/2001 Norton  
 D443,196 S 6/2001 Sosa  
 6,264,255 B1 7/2001 Fortune  
 6,327,879 B1 12/2001 Malsom  
 6,347,819 B1 2/2002 Plaxco  
 6,364,383 B1 4/2002 Shen  
 D457,113 S 5/2002 Zapushek et al.  
 6,406,075 B1 \* 6/2002 Rice et al. .... 292/336.3  
 6,460,220 B1 10/2002 Jackson  
 6,513,351 B2 2/2003 Clark  
 D484,389 S 12/2003 Evans  
 6,732,408 B2 5/2004 Wu  
 6,733,049 B2 5/2004 Piorkowski et al.  
 6,733,050 B1 5/2004 Yao  
 D495,235 S 8/2004 Burrows  
 D502,859 S 3/2005 Peng et al.  
 6,868,703 B2 \* 3/2005 Molzer ..... 70/210  
 6,869,115 B2 3/2005 Shen  
 6,898,953 B1 5/2005 Paprocki et al.  
 6,905,152 B1 6/2005 Hudson  
 D515,906 S \* 2/2006 Strickland ..... D8/300  
 7,044,511 B2 5/2006 Kliefoth et al.  
 D524,139 S \* 7/2006 Burns et al. .... D8/302  
 D531,880 S \* 11/2006 Wang ..... D8/302  
 7,201,030 B2 4/2007 Timothy  
 D543,830 S 6/2007 Frank et al.  
 7,240,400 B2 7/2007 Bonham  
 D548,044 S 8/2007 Tang  
 D550,061 S 9/2007 Tang  
 D552,448 S 10/2007 Tang  
 7,296,448 B1 11/2007 Shaw  
 D557,586 S 12/2007 Shire et al.  
 D595,569 S 7/2009 Darling, III  
 D601,403 S 10/2009 Cosby et al.  
 D605,493 S 12/2009 Tejszerski  
 D611,798 S \* 3/2010 Le ..... D8/331  
 D647,781 S \* 11/2011 Tejszerski et al. .... D8/330  
 D649,861 S \* 12/2011 Mitchell et al. .... D8/331  
 2004/0093689 A1 5/2004 Sosa et al.  
 2007/0007773 A1 1/2007 Berkseth et al.  
 2008/0016923 A1 1/2008 Zheng

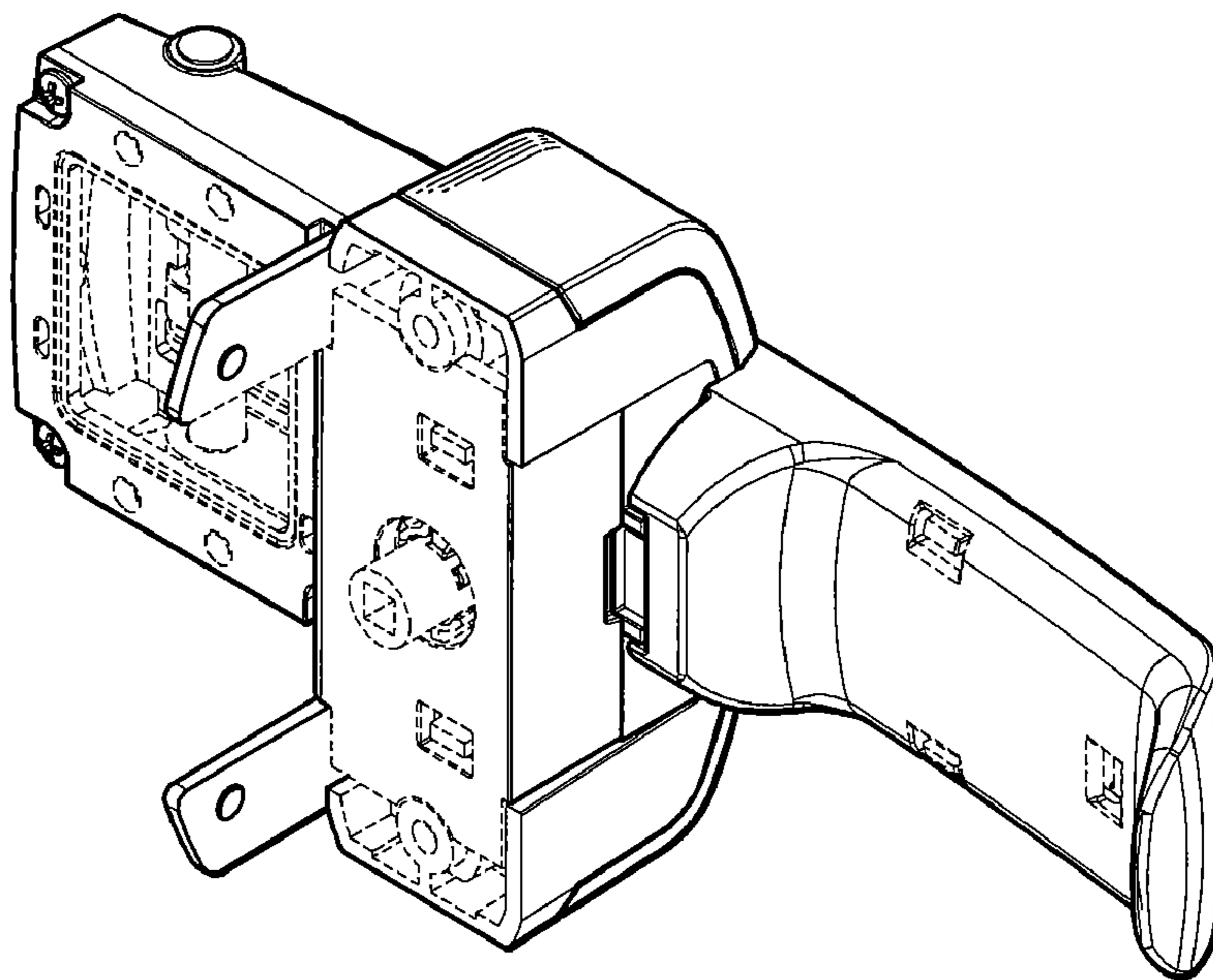
## FOREIGN PATENT DOCUMENTS

AU	138996	4/1948
AU	245874	5/1963
DE	1961736	6/1971
DE	3205224	8/1983
DE	3313220	10/1984
DE	3605826	8/1987
FR	1180547	6/1959
FR	2405347	5/1979
GB	693564	7/1953
GB	759211	10/1956
GB	1108996	4/1968
GB	1382227	1/1975
GB	2006892	5/1990
GB	2010086	10/1990
JP	1-198983	8/1989
JP	3-172482	7/1991
JP	3212589	9/1991
JP	8210001	8/1996
WO	92/03631	3/1992

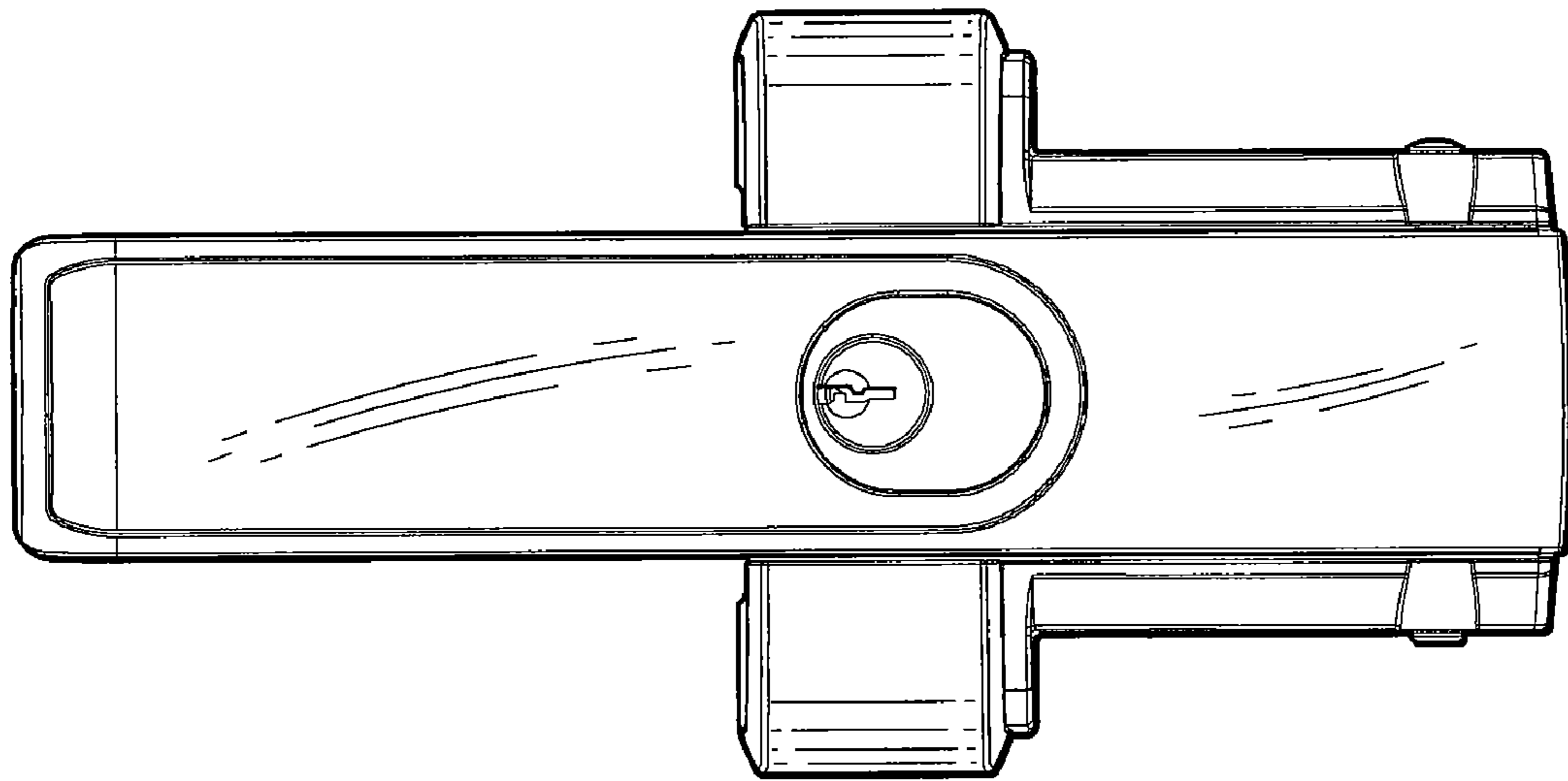
\* cited by examiner



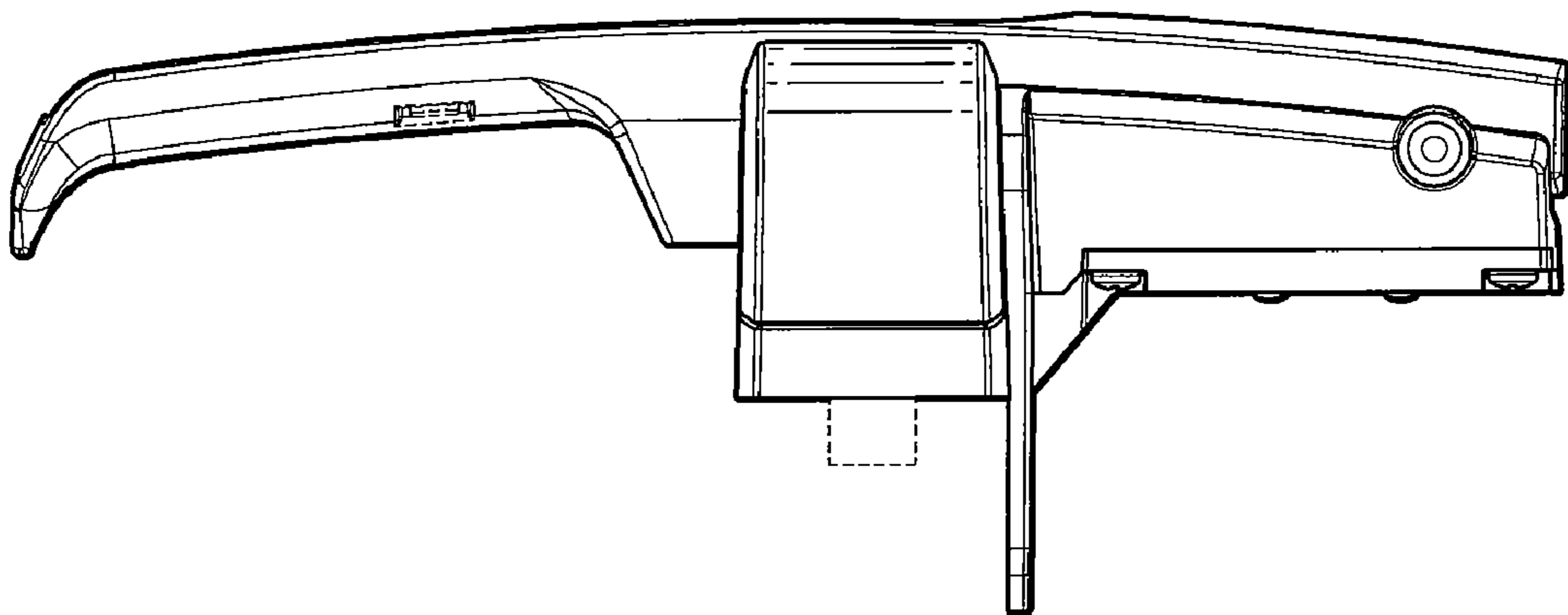
**FIG. 1**



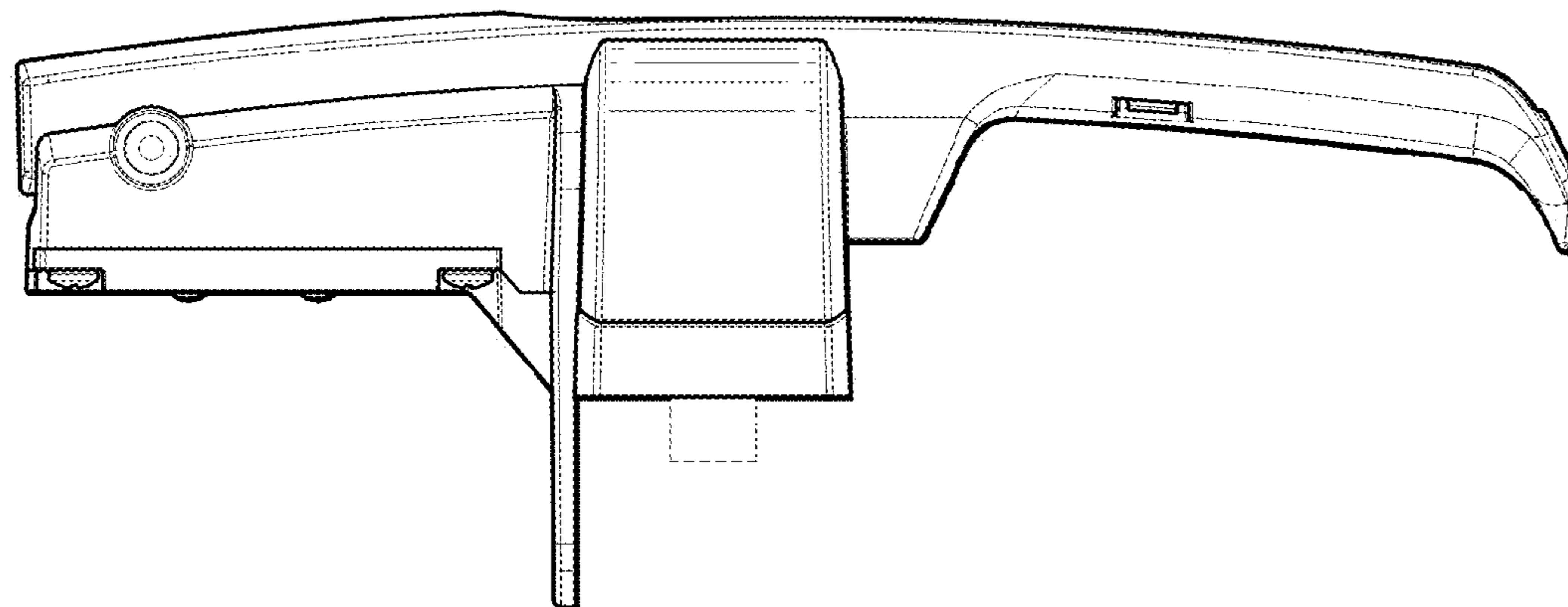
**FIG. 2**



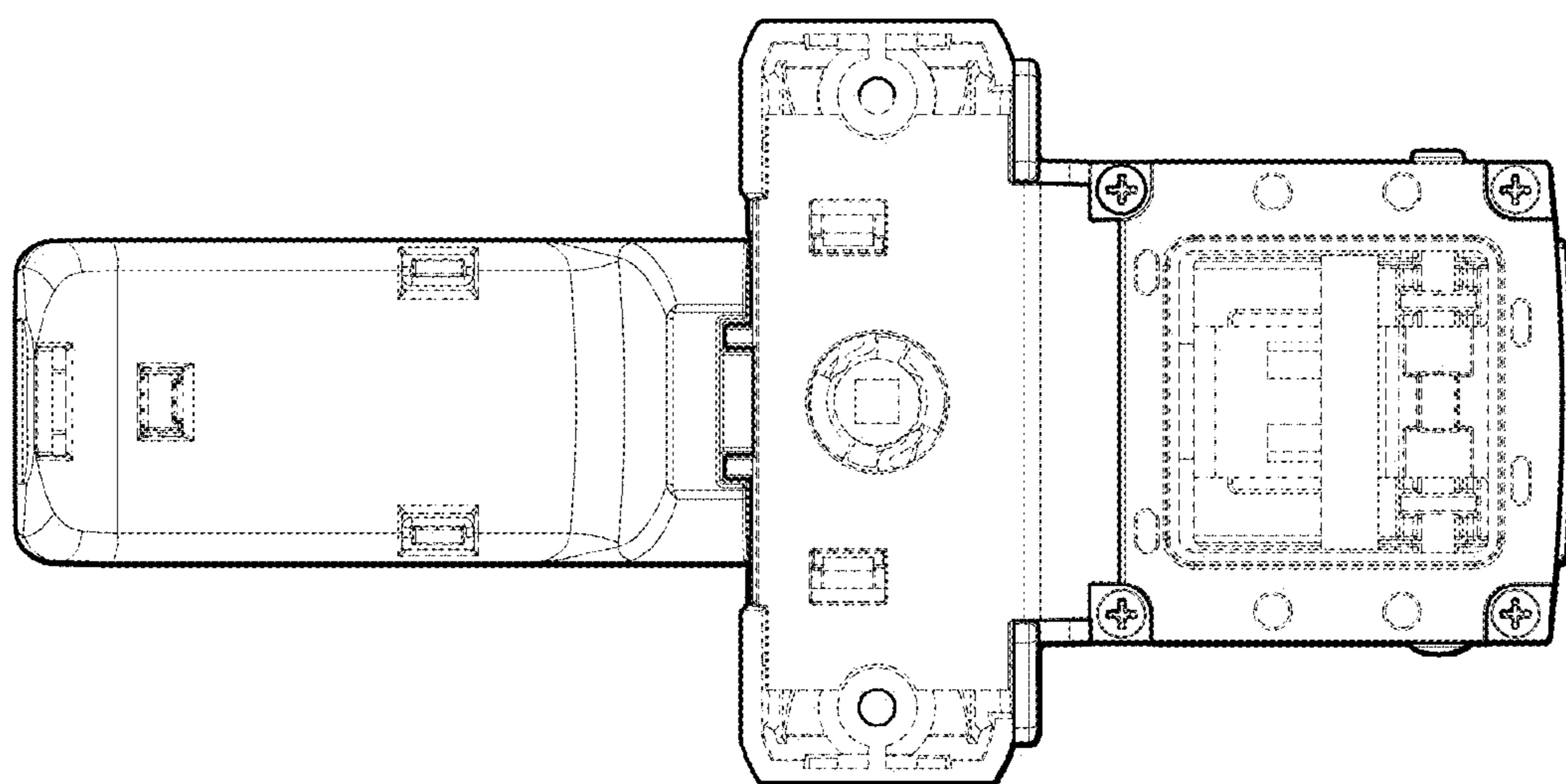
**FIG. 3**



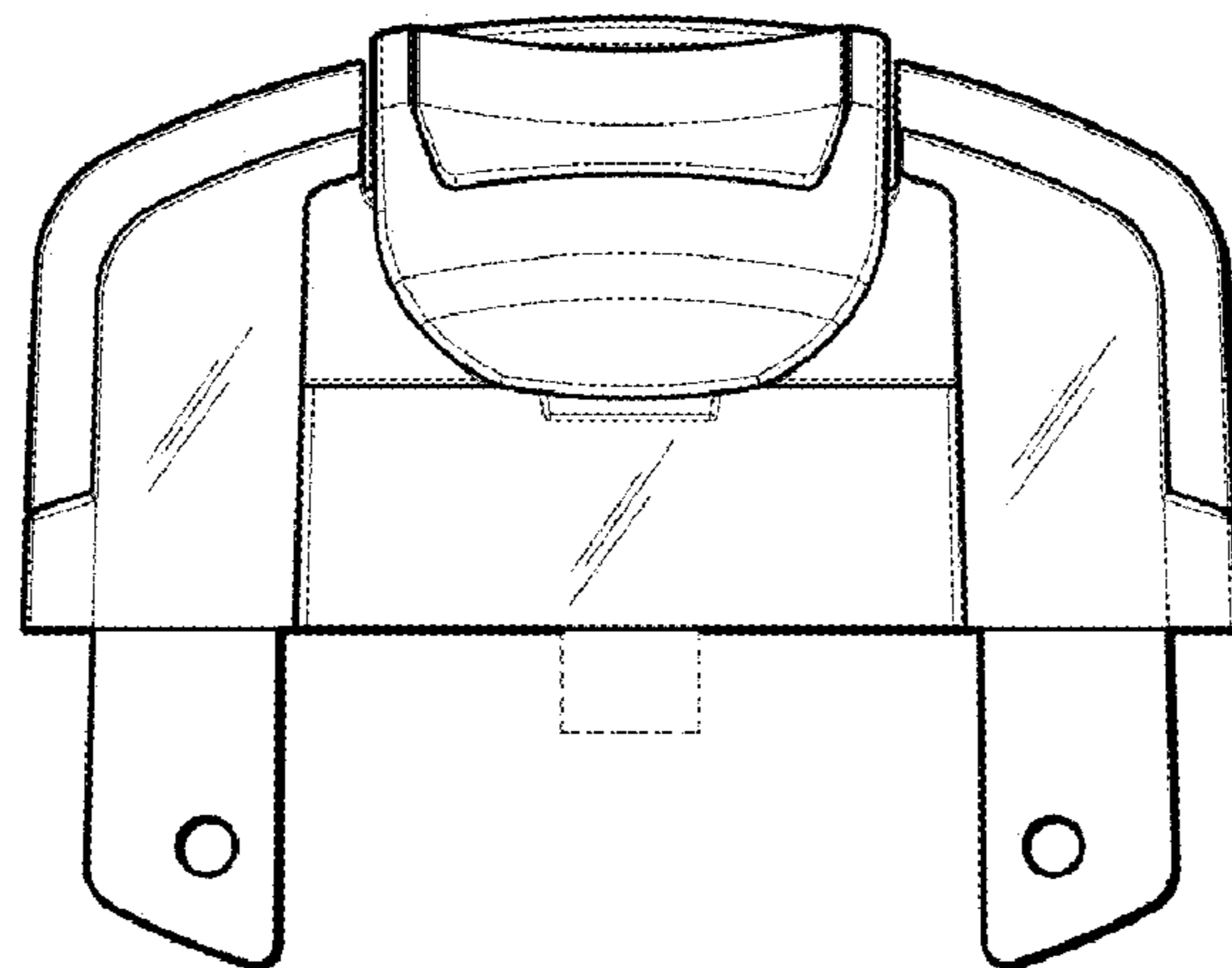
**FIG. 4**



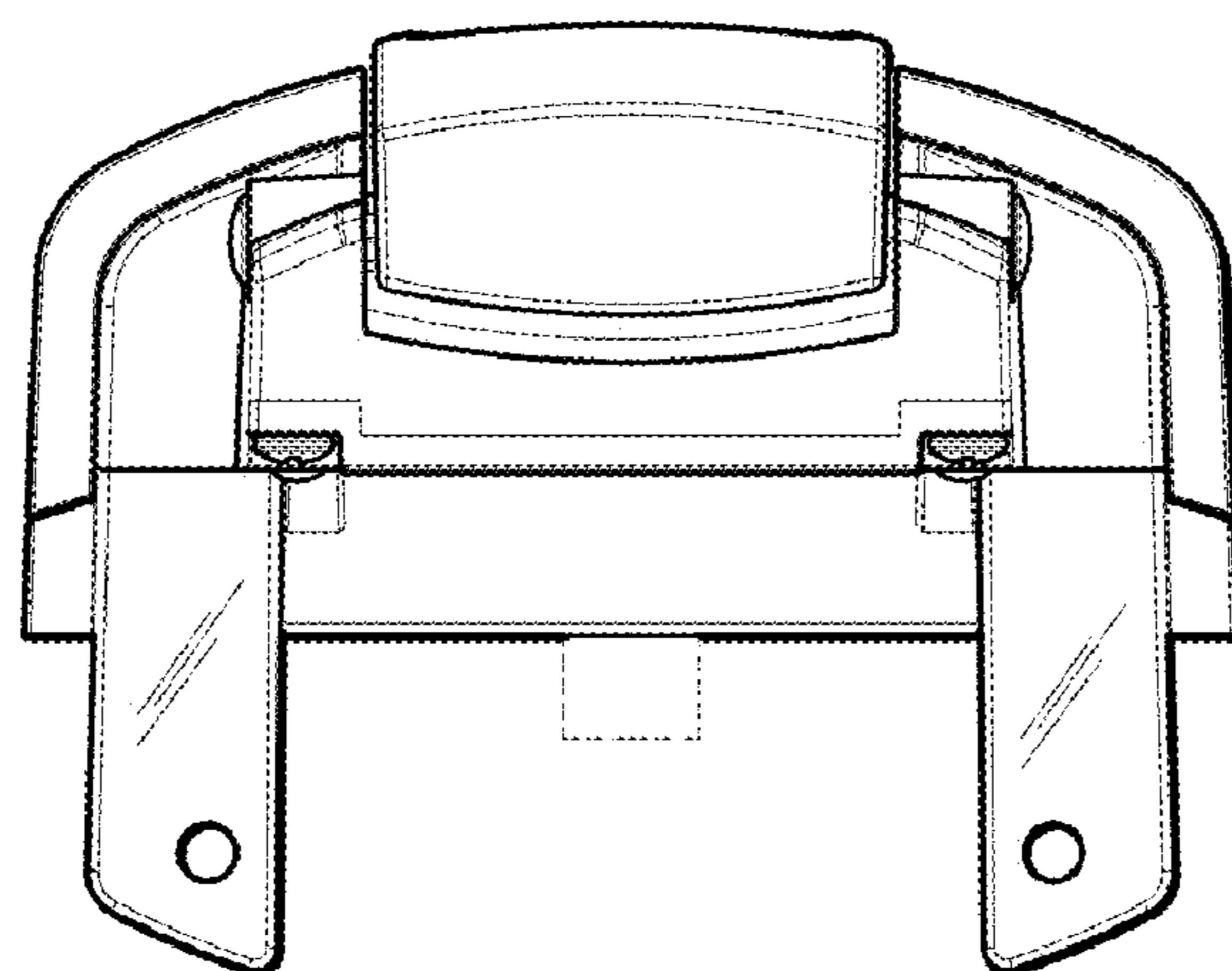
**FIG. 5**



**FIG. 6**



**FIG. 7**



**FIG. 8**