

US00D675077S

(12) **United States Design Patent**
Tirone et al.

(10) **Patent No.:** **US D675,077 S**
(45) **Date of Patent:** **** Jan. 29, 2013**

(54) **JIGSAW**

(75) Inventors: **James C. Tirone**, Baltimore, MD (US);
Thomas W. Murray, Baltimore, MD
(US); **Christopher J. Murray**,
Baltimore, MD (US); **Michael**
Walstrum, Columbia, MD (US); **Joseph**
B. Cooper, Baltimore, MD (US); **Taylor**
A. Langhals, Sylvania, OH (US)

(73) Assignee: **Black & Decker Inc.**, Newark, DE (US)

(**) Term: **14 Years**

(21) Appl. No.: **29/402,466**

(22) Filed: **Sep. 23, 2011**

(51) **LOC (9) Cl.** **08-03**

(52) **U.S. Cl.** **D8/64**

(58) **Field of Classification Search** D8/69,
D8/68, 67, 66, 64, 61; 83/747, 699.21; 310/50;
30/394, 393, 392, 391, 390, 377, 376; 173/216,
173/217

See application file for complete search history.

(56) **References Cited**

U.S. PATENT DOCUMENTS

D522,335 S * 6/2006 Houghton D8/64
D525,098 S * 7/2006 Taniguchi et al. D8/64
D525,844 S * 8/2006 Netzler D8/64

D578,366 S * 10/2008 Van Wambeke D8/64
D581,234 S * 11/2008 Van Wambeke D8/64
D581,760 S * 12/2008 Van Wambeke D8/64
D581,761 S * 12/2008 Van Wambeke D8/64
D584,589 S * 1/2009 Van Wambeke D8/64
D592,924 S * 5/2009 Van Wambeke D8/64
D592,925 S * 5/2009 Van Wambeke D8/64
D643,700 S * 8/2011 Schultheiss et al. D8/64
8,033,026 B2 * 10/2011 Gibbons et al. 30/371
2003/0196338 A1 * 10/2003 Eto et al. 30/392

* cited by examiner

Primary Examiner — Austin Murphy

(74) *Attorney, Agent, or Firm* — John Yun

(57) **CLAIM**

The ornamental design for a jigsaw, as shown and described.

DESCRIPTION

FIG. 1 is a perspective view of a jigsaw showing my new design;

FIG. 2 is a front side view thereof

FIG. 3 is a rear side view thereof;

FIG. 4 is a right side view thereof;

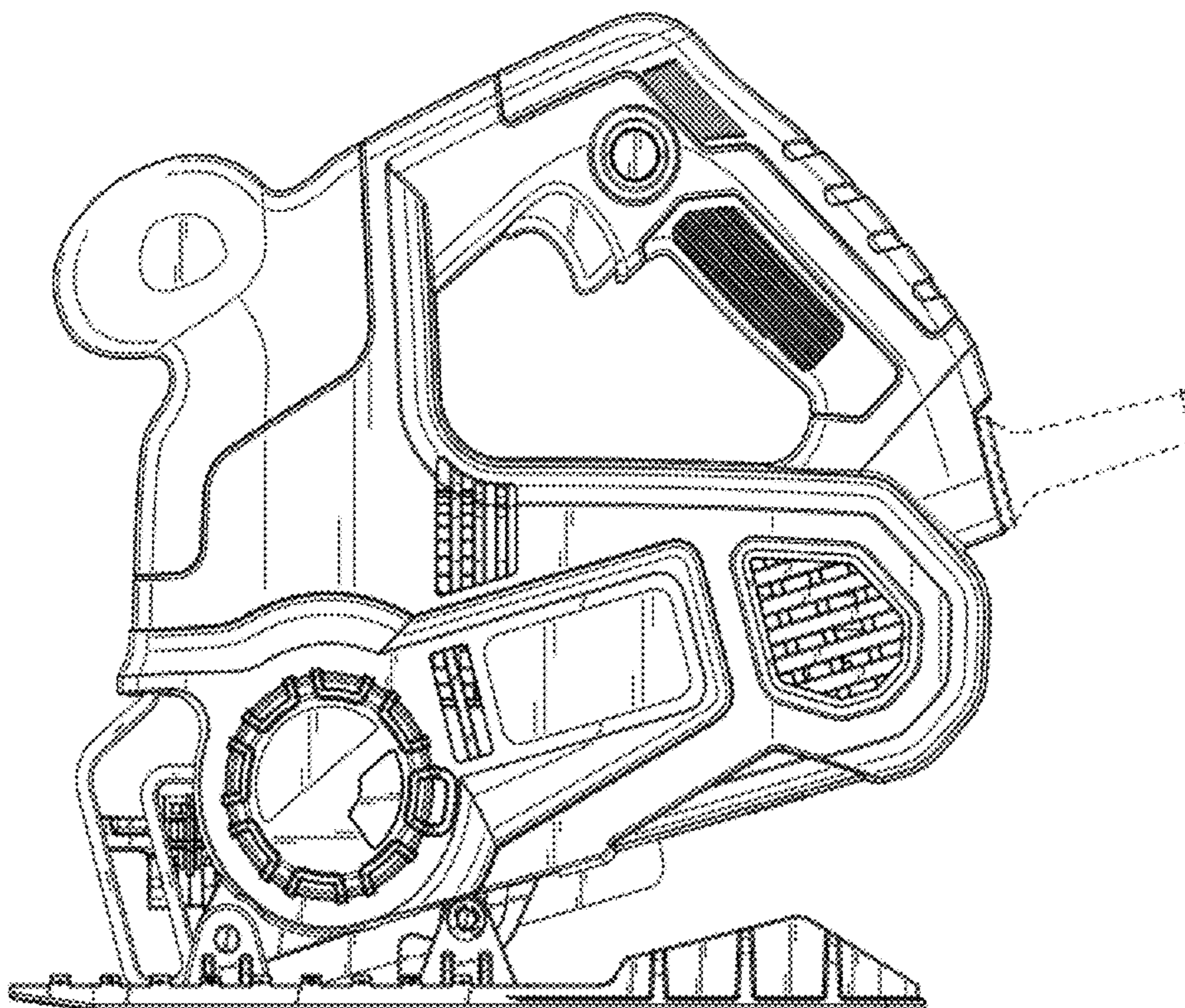
FIG. 5 is a left side view thereof;

FIG. 6 is a top plan view thereof; and,

FIG. 7 is a bottom plan view thereof.

In the above drawings the broken lines and the areas within the broken lines form no part of the claimed design.

1 Claim, 7 Drawing Sheets



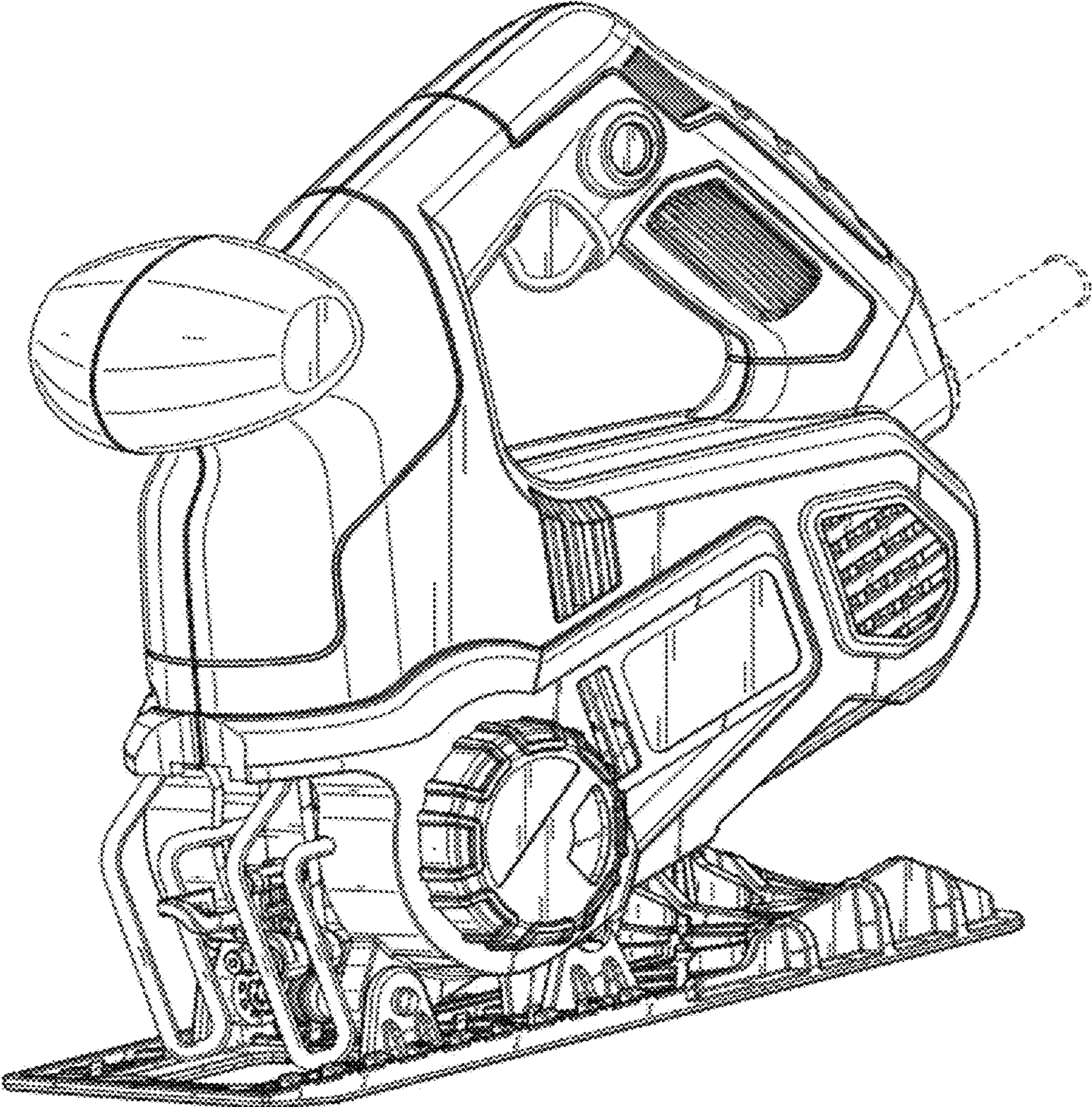


FIG. 1

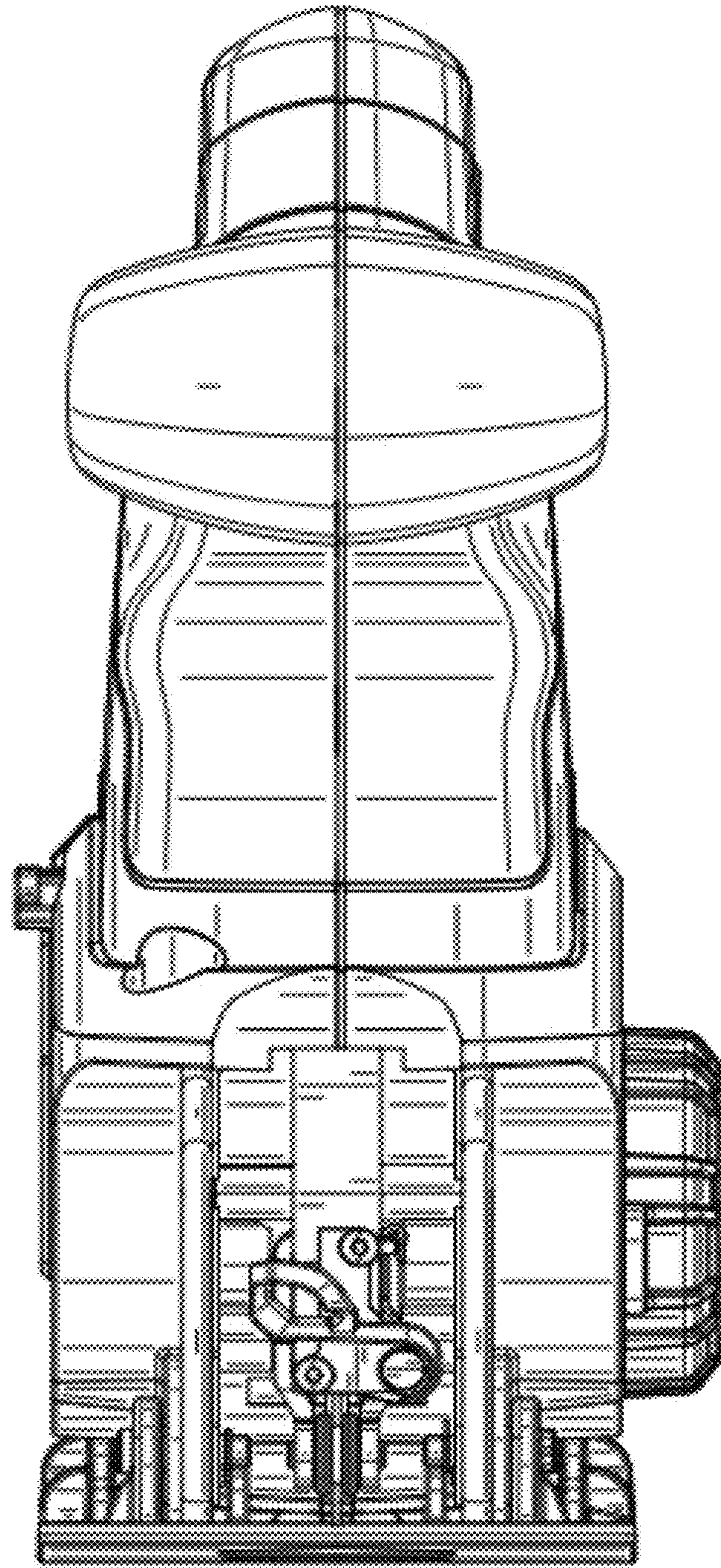


FIG. 2

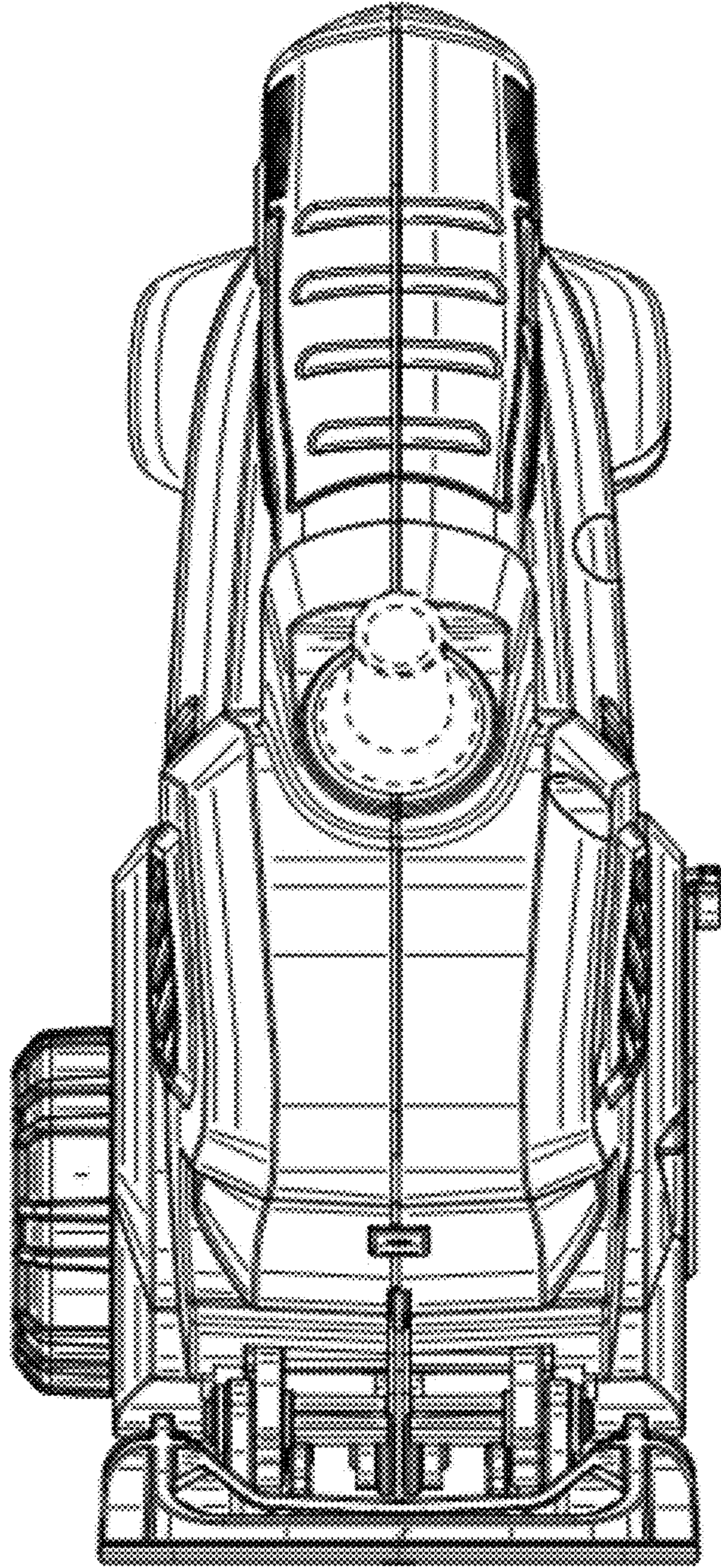


FIG. 3

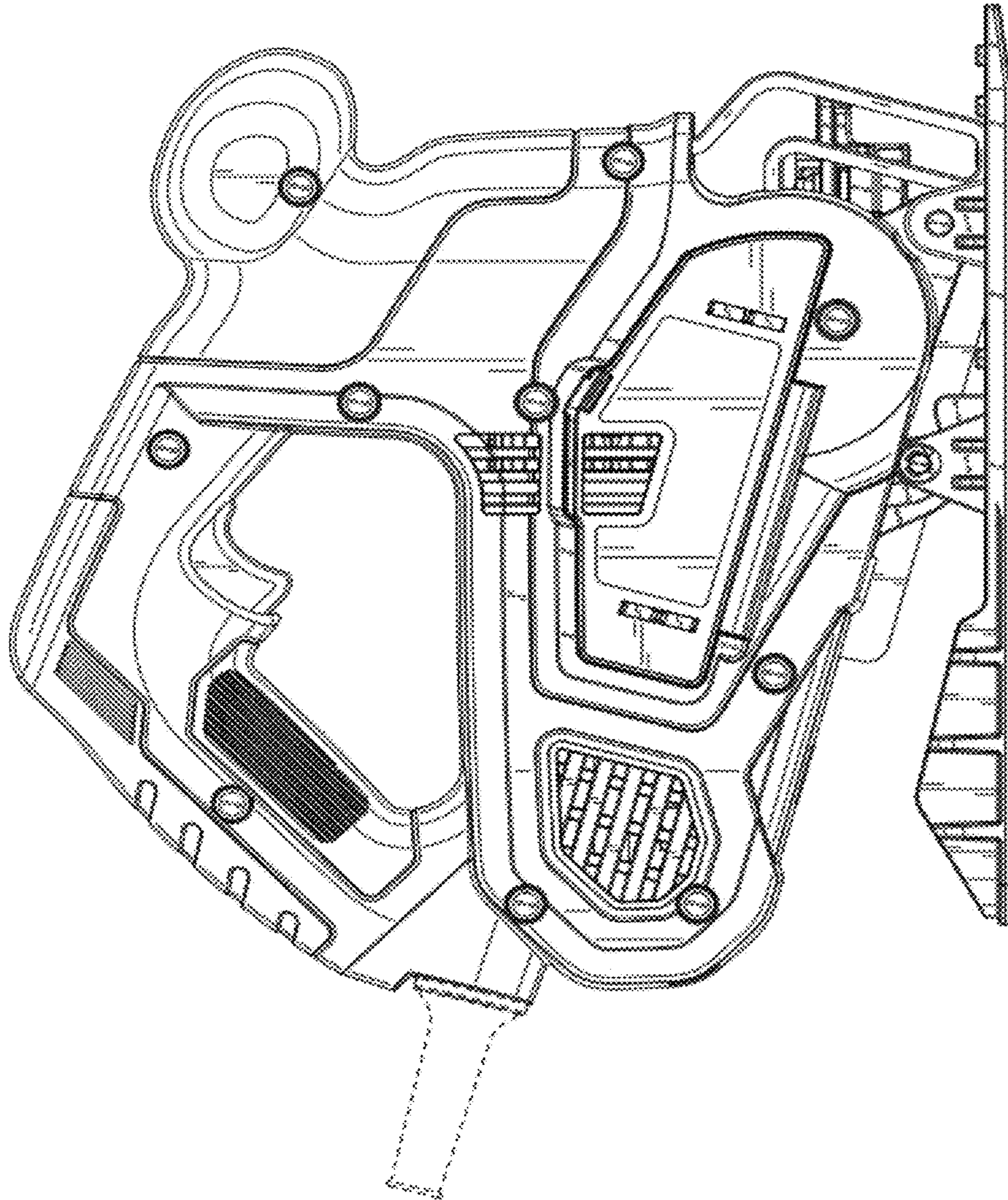


FIG. 4

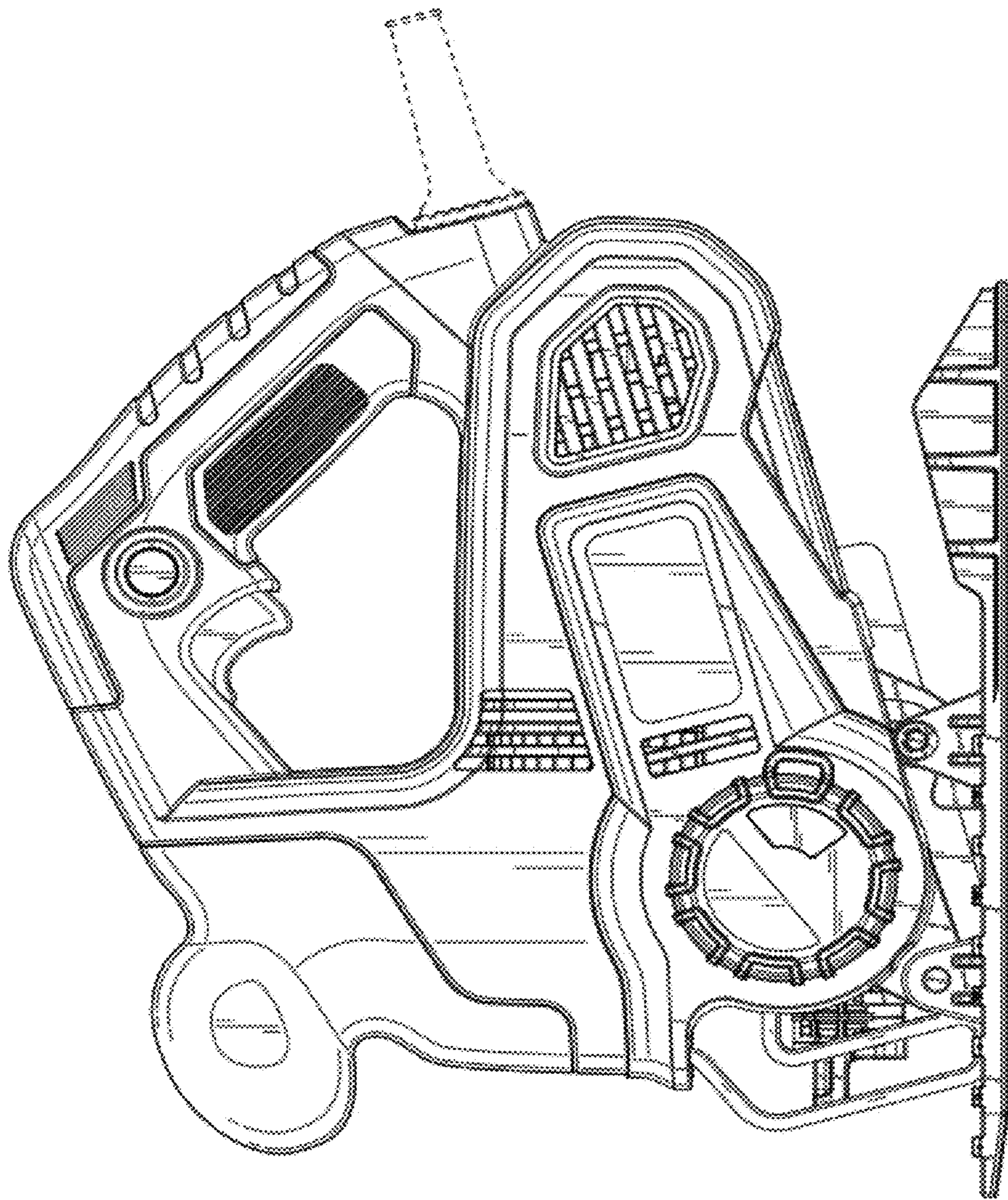


FIG. 5

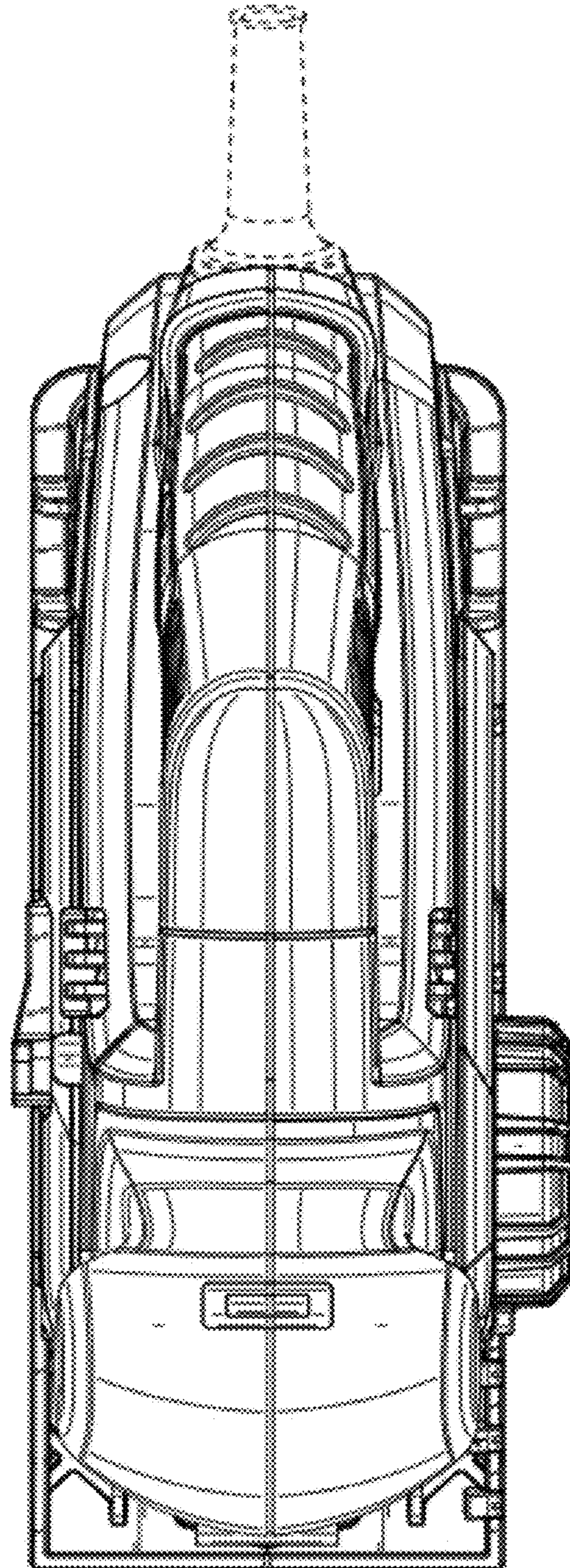


FIG. 6

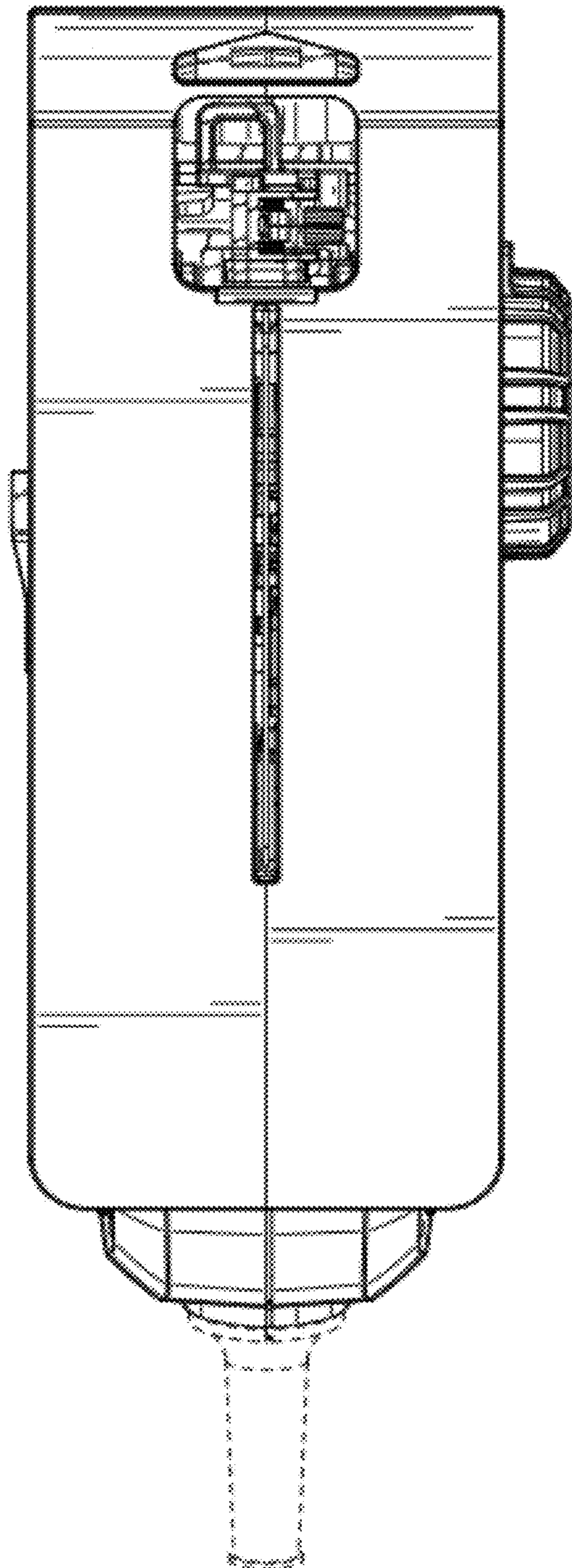


FIG. 7