



US00D675076S

(12) **United States Design Patent**
Oachs et al.

(10) **Patent No.:** **US D675,076 S**
(45) **Date of Patent:** **** Jan. 29, 2013**

(54) **FAN CLUTCH WRENCH**

(75) Inventors: **Joshua Oachs**, Racine, WI (US); **Steve Romuald**, Brown Deer, WI (US); **Michael Schoenbeck**, Twin Lakes, WI (US); **Jeff Wanta**, Waterford, WI (US); **Maximmilian N Knoell**, Racine, WI (US); **Timothy Alho**, Pleasant Prairie, WI (US)

(73) Assignee: **A & E Incorporated**, Racine, WI (US)

(**) Term: **14 Years**

(21) Appl. No.: **29/429,318**

(22) Filed: **Aug. 9, 2012**

(51) **LOC (9) Cl.** **08-05**

(52) **U.S. Cl.** **D8/17**

(58) **Field of Classification Search** D8/17,
D8/18, 19, 21, 28, 105; 81/119, 120, 121.1,
81/124.3, 124.4, 125.1, 176.1, 176.2, 186
See application file for complete search history.

(56) **References Cited**

U.S. PATENT DOCUMENTS

D347,982 S *	6/1994	Perez	D8/21
D351,541 S *	10/1994	Smith	D8/28
D393,578 S *	4/1998	Keddie	D8/17
D410,826 S *	6/1999	Hsieh	D8/28
D414,995 S *	10/1999	Hsieh	D8/17
D435,409 S *	12/2000	Roberts	D8/17

D465,976 S *	11/2002	Wang	D8/17
D473,436 S *	4/2003	Pilatzke et al.	D8/28
D477,197 S *	7/2003	Yates	D8/21
7,874,233 B1 *	1/2011	Taylor	81/177.2

* cited by examiner

Primary Examiner — Raphael Barkai

Assistant Examiner — Randall Gholson

(74) *Attorney, Agent, or Firm* — Ryan Kromholz & Manion, S.C.

(57) **CLAIM**

The ornamental design for a fan clutch wrench, as shown and described.

DESCRIPTION

FIG. 1 is a perspective view of a fan clutch wrench showing our new ornamental design in a condition of use;

FIG. 2 is a top view of the fan clutch wrench shown in FIG. 1;

FIG. 3 is bottom view of the fan clutch wrench shown in FIG. 1;

FIG. 4 is an elevational view of the fan clutch wrench taken from the front of FIG. 2;

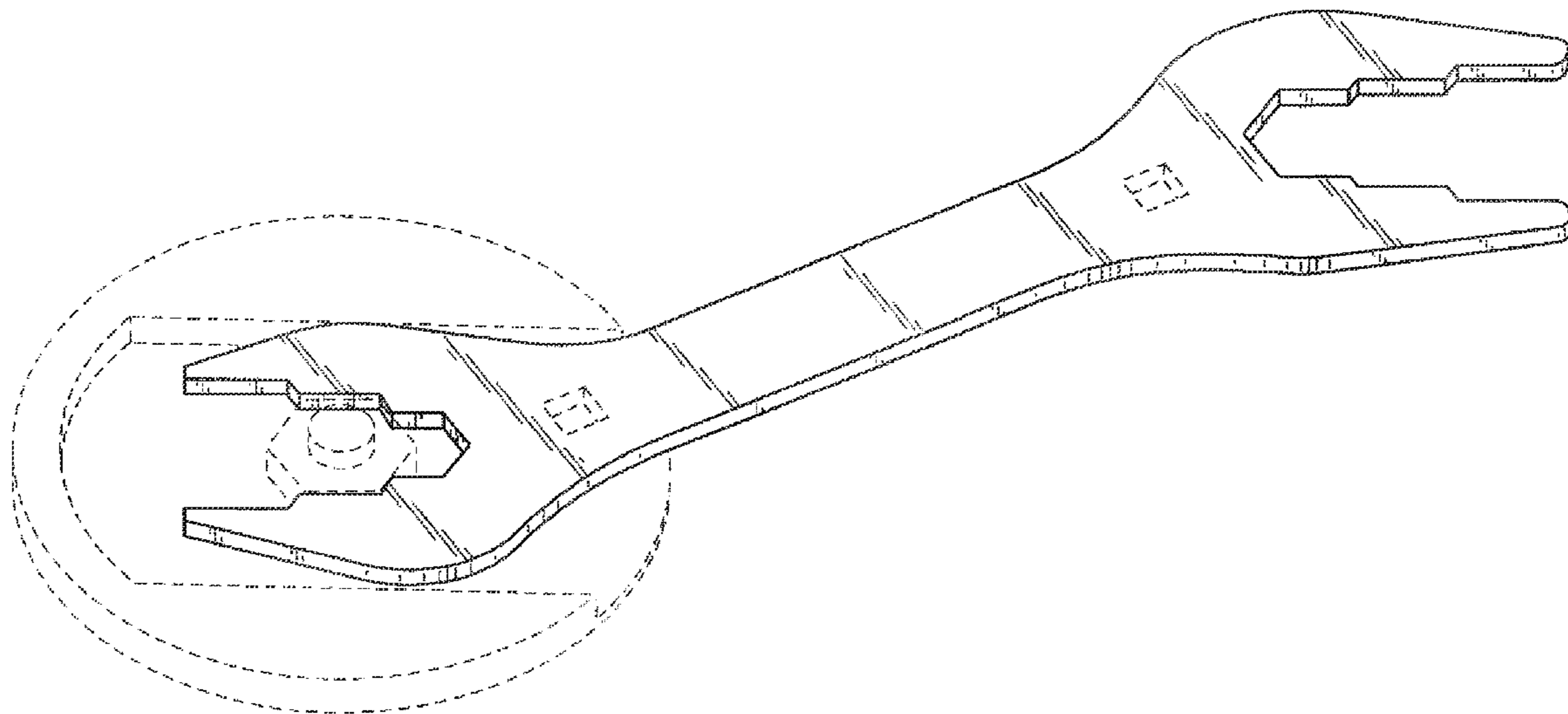
FIG. 5 is an elevational view of the fan clutch wrench taken from the front of FIG. 3;

FIG. 6 is a view of the fan clutch wrench taken from the right side of FIG. 2; and,

FIG. 7 is a view of the fan clutch wrench taken from the left side of FIG. 2.

The broken lines in FIG. 1 are for purposes of illustration only and form no part of the claimed design.

1 Claim, 3 Drawing Sheets



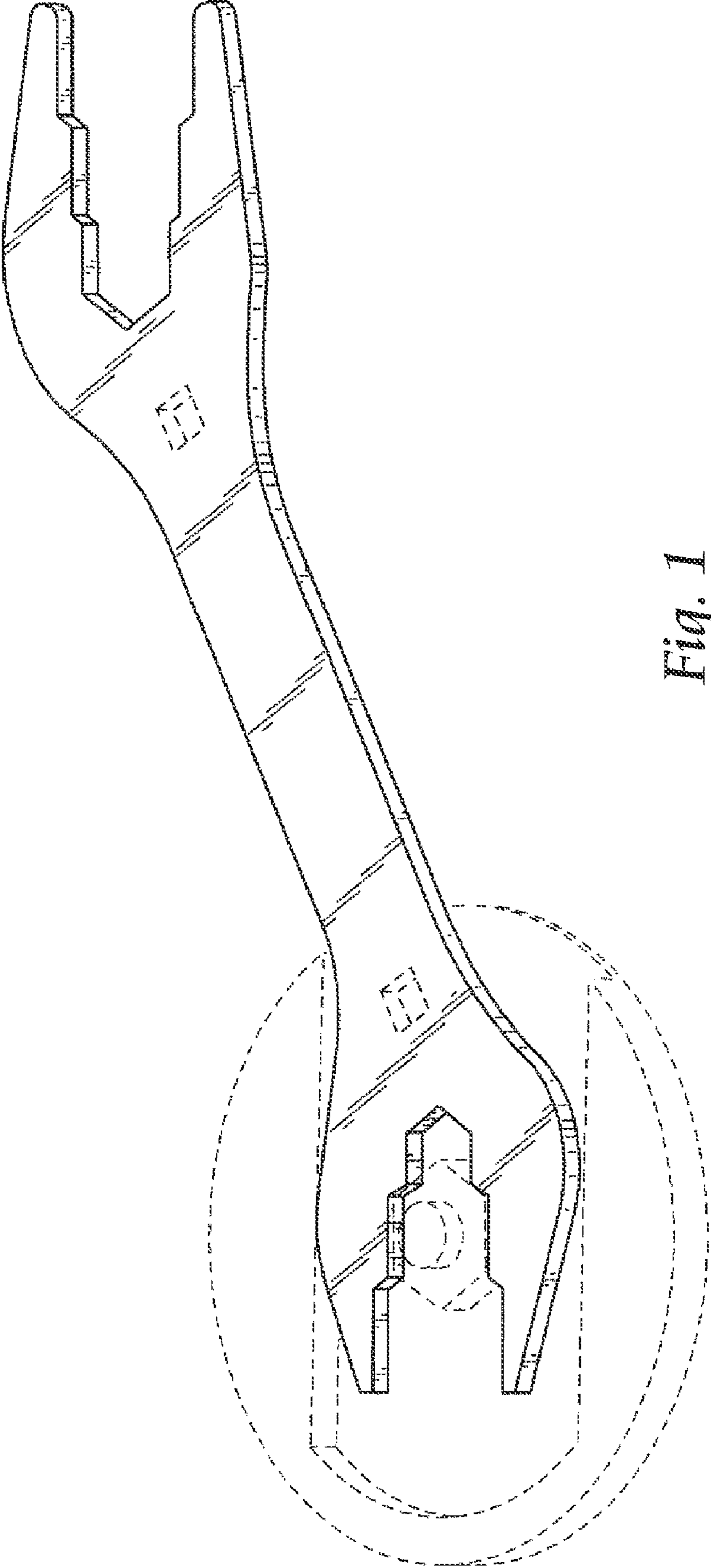


Fig. 1

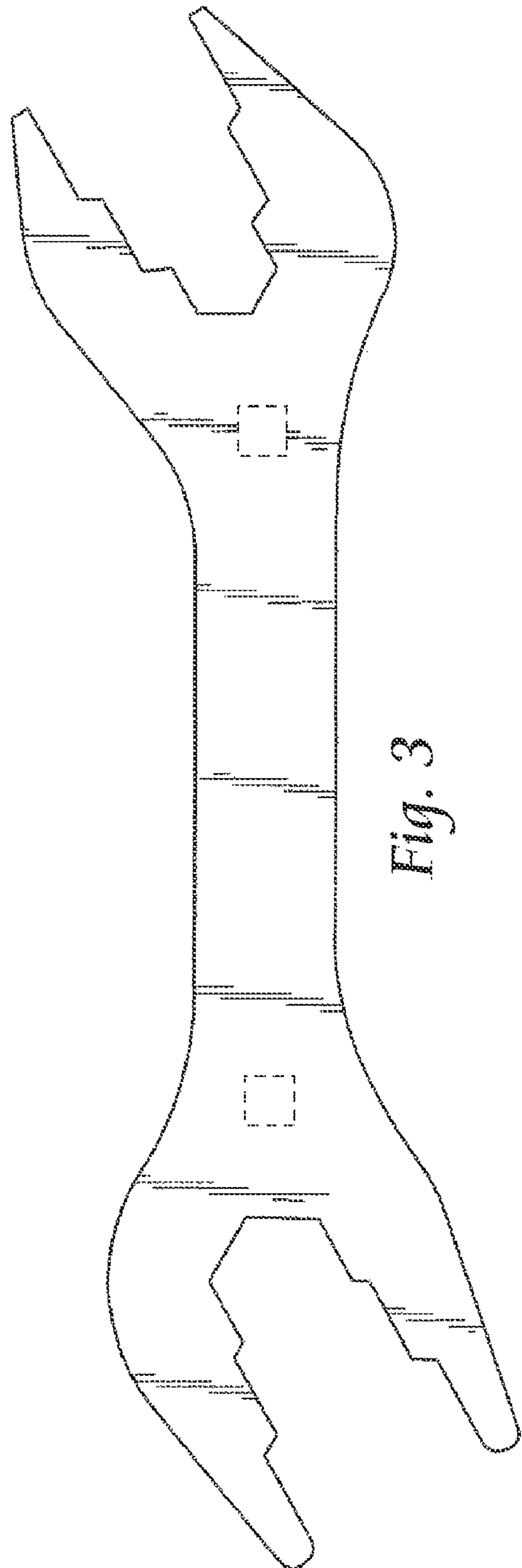
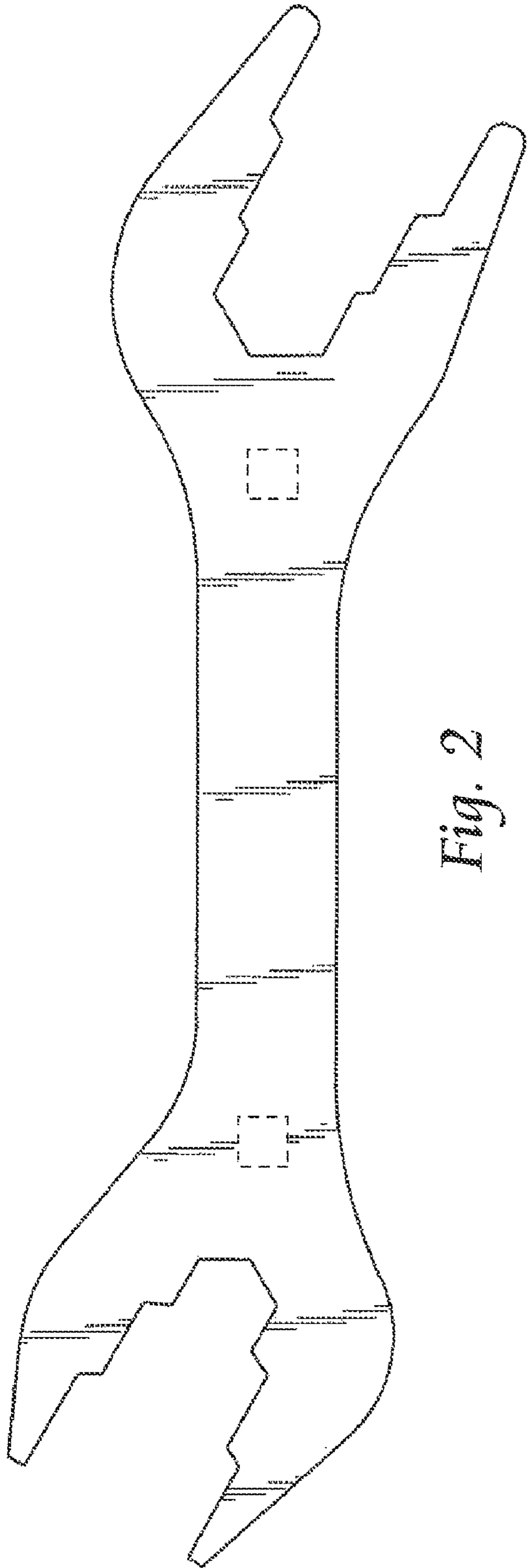




Fig. 4

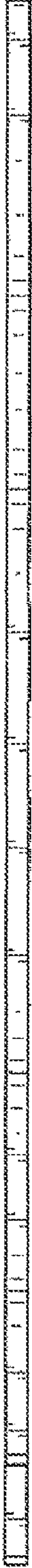


Fig. 5

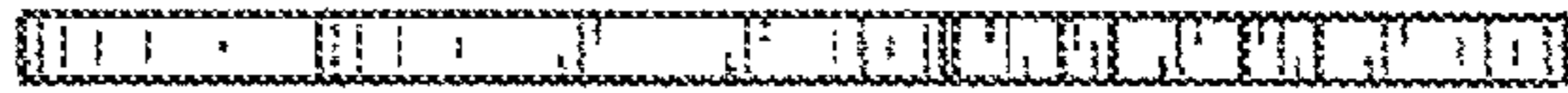


Fig. 6



Fig. 7