

US00D675075S

(12) **United States Design Patent**  
**Paloheimo et al.**

(10) **Patent No.:** **US D675,075 S**  
(45) **Date of Patent:** **\*\* Jan. 29, 2013**

(54) **GARDEN TOOL**

D506,655 S 6/2005 Lipscomb et al.  
D546,643 S \* 7/2007 Shan ..... D8/10  
D600,984 S \* 9/2009 Wong et al. .... D8/10

(75) Inventors: **Markus Paloheimo**, Karjaa (FI); **Petteri Masalin**, Helsinki (FI)

**OTHER PUBLICATIONS**

(73) Assignee: **Fiskars Brands Finland Oy AB**, Billnas (FI)

U.S. Appl. No. 29/425,364, filed Jun. 21, 2012, Meiller et al.

(\*\*) Term: **14 Years**

\* cited by examiner

(21) Appl. No.: **29/414,271**

*Primary Examiner* — Sheryl Lane

(22) Filed: **Feb. 27, 2012**

(74) *Attorney, Agent, or Firm* — Foley & Lardner LLP

(30) **Foreign Application Priority Data**

(57) **CLAIM**

Sep. 1, 2011 (EM) ..... 001910753-0002  
Sep. 1, 2011 (EM) ..... 001910753-0003

We claim the ornamental design for a garden tool, as shown and described.

(51) **LOC (9) Cl.** ..... **08-01**

**DESCRIPTION**

(52) **U.S. Cl.** ..... **D8/10**

(58) **Field of Classification Search** ..... D8/10,  
D8/11; 294/49, 51, 54.5, 55, 50.8, 50.9;  
7/114–116; D21/532

See application file for complete search history.

FIG. 1 is a perspective view of an embodiment of the claimed design;  
FIG. 2 is a front view of the claimed design of FIG. 1;  
FIG. 3 is a rear view of the claimed design of FIG. 1;  
FIG. 4 is a right side view of the claimed design of FIG. 1;  
FIG. 5 is a left side view of the claimed design of FIG. 1;  
FIG. 6 is a top view of the claimed design of FIG. 1;  
FIG. 7 is a bottom view of the claimed design of FIG. 1;  
FIG. 8 is a perspective view of another embodiment of the claimed design;  
FIG. 9 is a front view of the claimed design of FIG. 8;  
FIG. 10 is a rear view of the claimed design of FIG. 8;  
FIG. 11 is a right side view of the claimed design of FIG. 8;  
FIG. 12 is a left side view of the claimed design of FIG. 8;  
FIG. 13 is a top view of the claimed design of FIG. 8; and,  
FIG. 14 is a bottom view of the claimed design of FIG. 8.

(56) **References Cited**

**U.S. PATENT DOCUMENTS**

D256,979 S \* 9/1980 Nadle ..... D8/10  
D292,865 S \* 11/1987 Scott ..... D8/10  
D305,496 S \* 1/1990 Jasperson ..... D8/10  
D338,378 S \* 8/1993 Concari ..... D8/10  
D342,426 S \* 12/1993 Concari ..... D8/10  
D349,023 S 7/1994 Linden et al.  
D349,222 S \* 8/1994 Linden et al. .... D8/10  
D354,661 S \* 1/1995 Linden et al. .... D8/10  
D360,343 S \* 7/1995 Concari ..... D8/10  
D375,027 S \* 10/1996 Spear et al. .... D8/10  
D383,049 S 9/1997 Concari et al.  
D384,251 S \* 9/1997 Yeh ..... D8/10  
D387,649 S 12/1997 Concari et al.  
5,975,601 A \* 11/1999 Spear et al. .... 294/49  
D435,407 S 12/2000 Yager et al.

The ornamental design which is claimed is shown in solid lines in the drawings. The broken lines are included for the purpose of showing portions of the article and form no part of the claimed design.

**1 Claim, 9 Drawing Sheets**

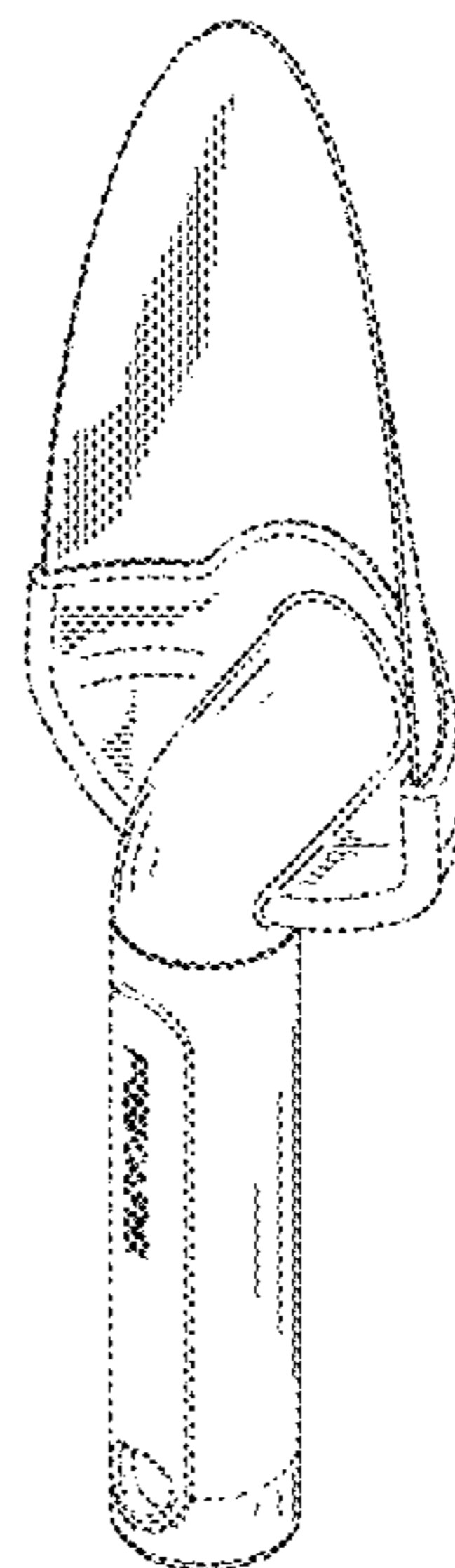


FIGURE 1

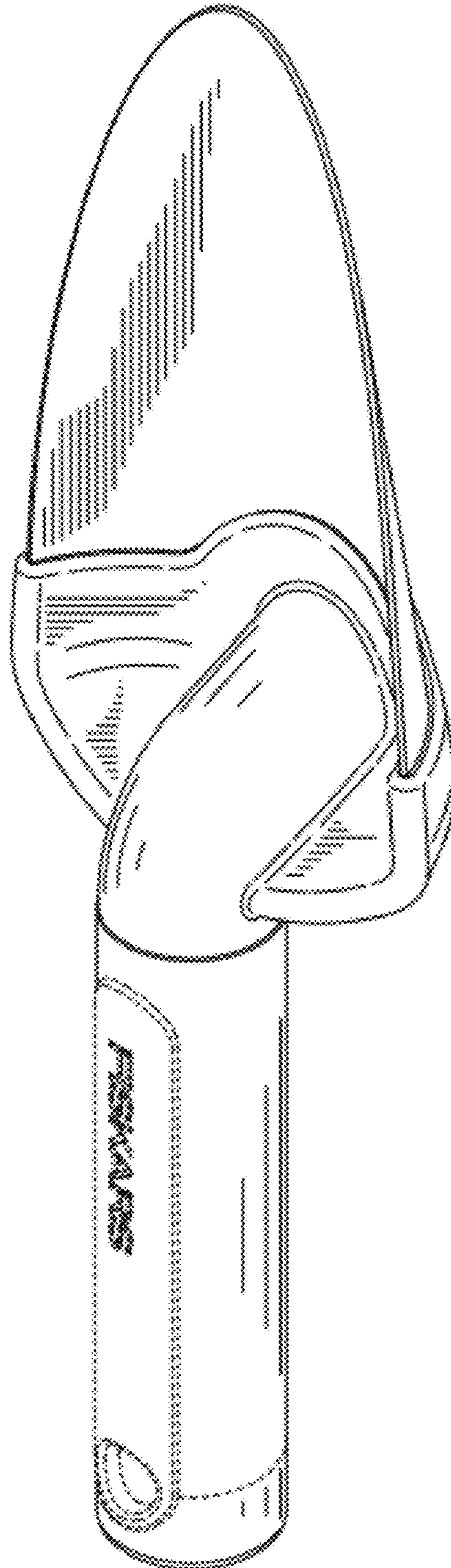


FIGURE 2

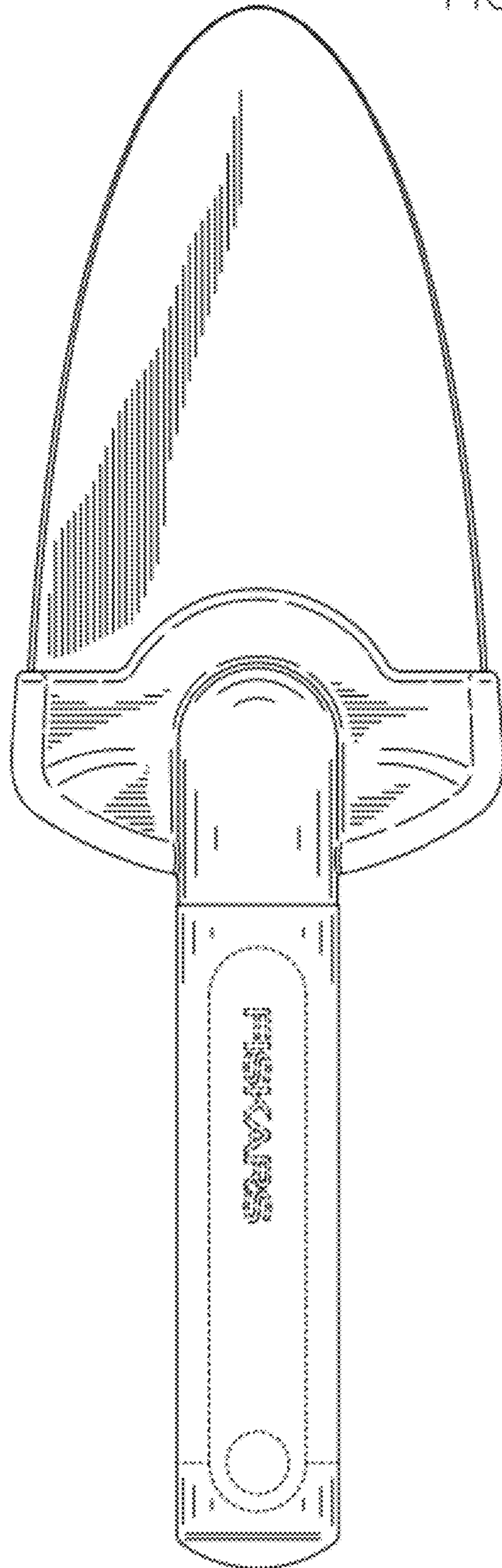


FIGURE 3

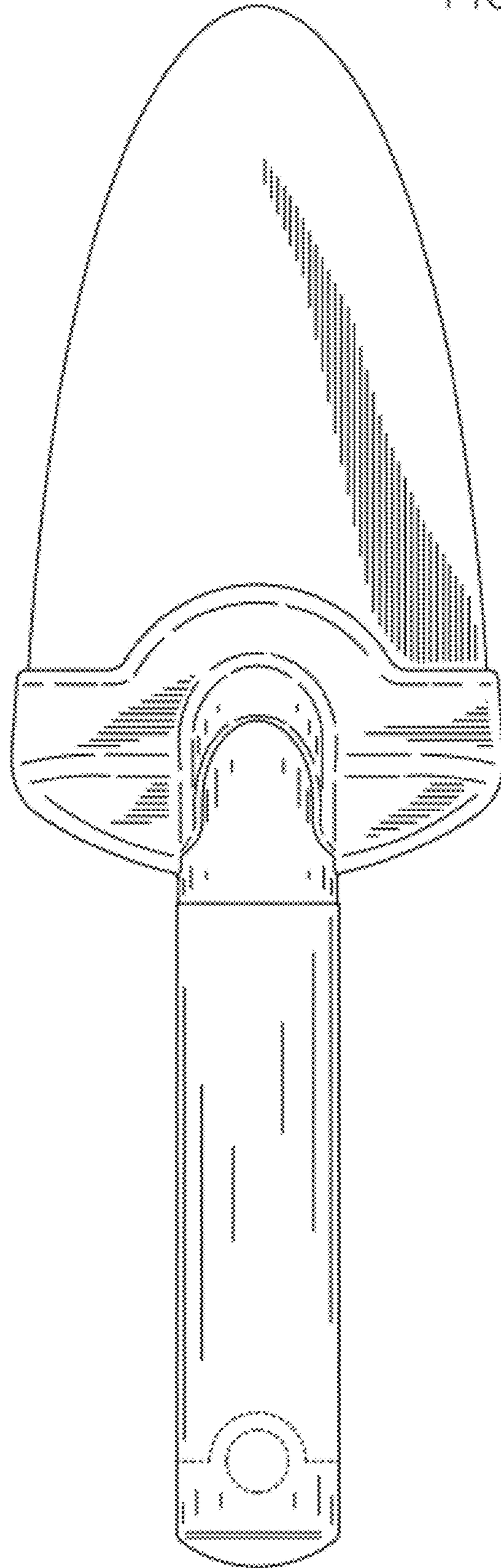


FIGURE 4

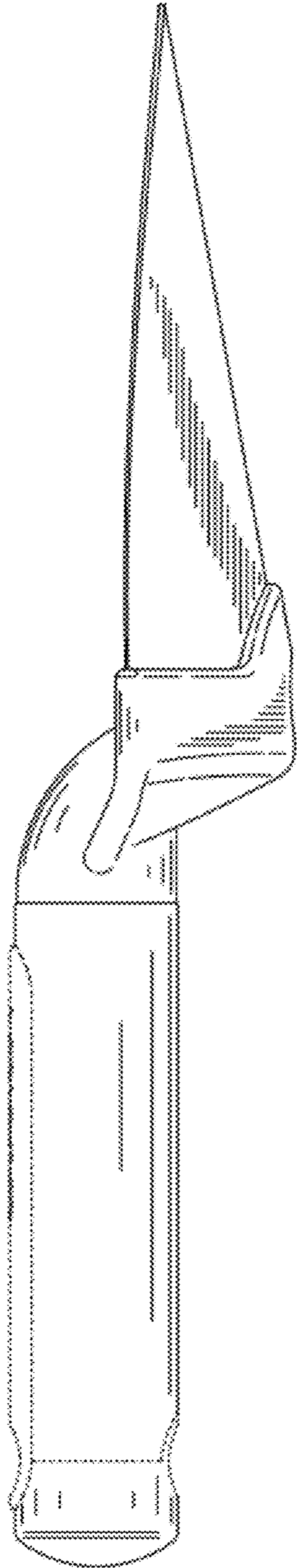


FIGURE 5

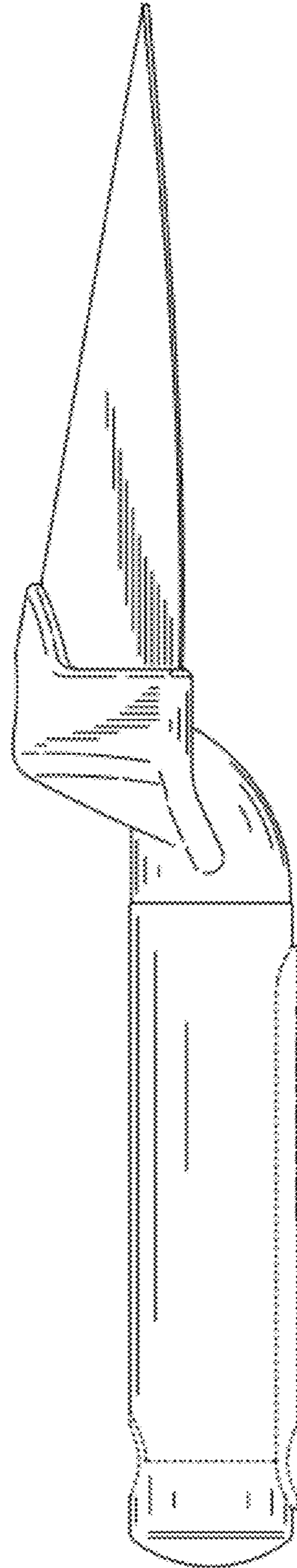


FIGURE 6

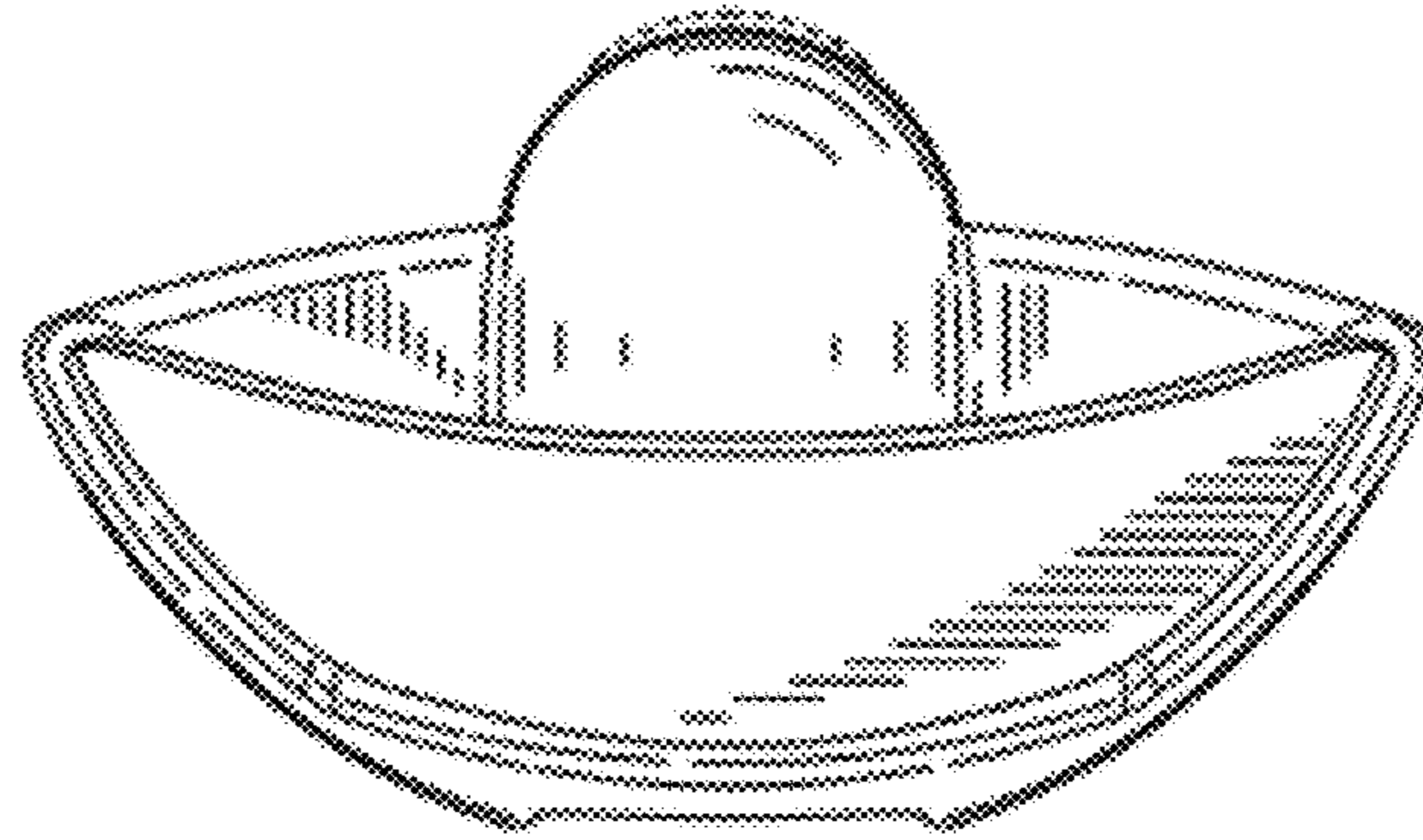


FIGURE 7

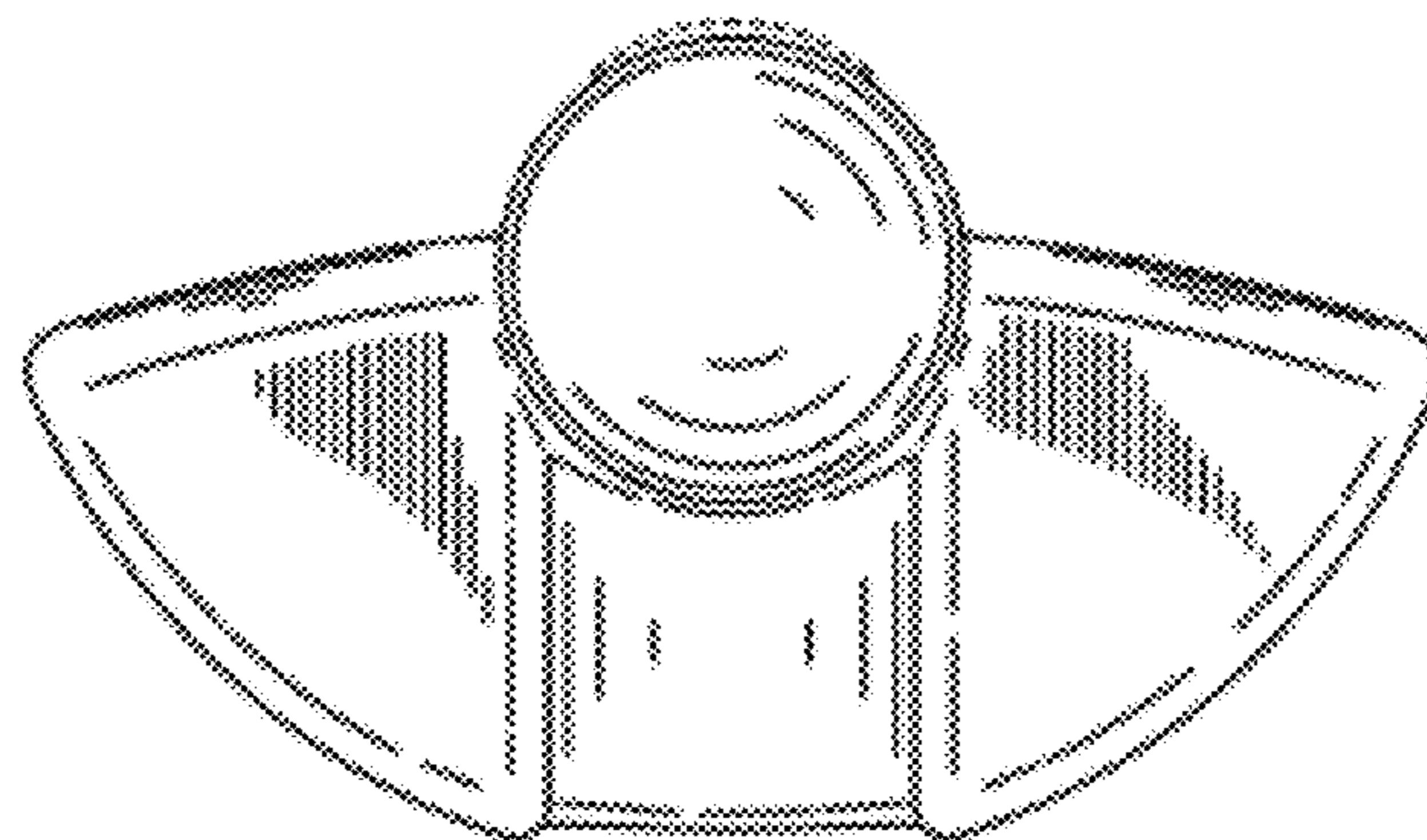


FIGURE 8

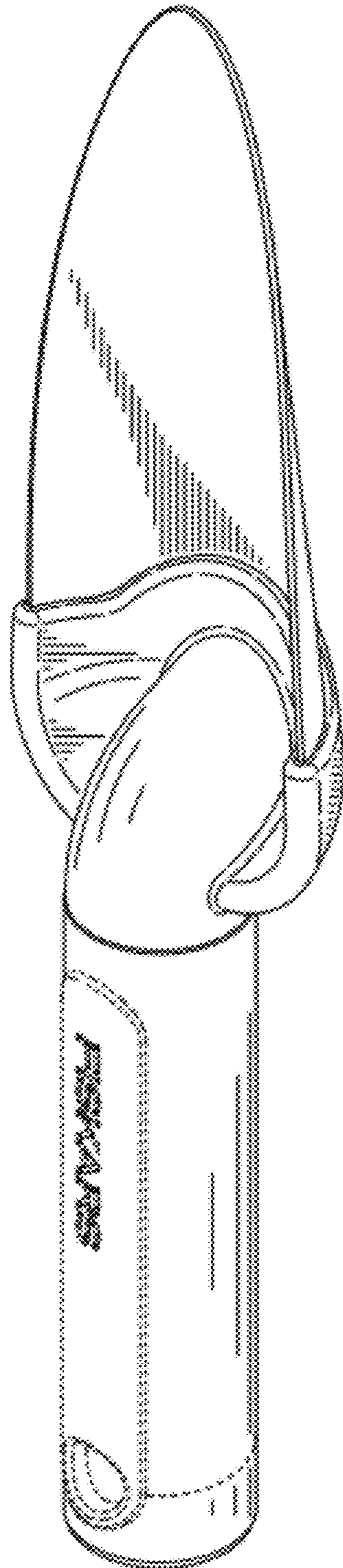


FIGURE 9

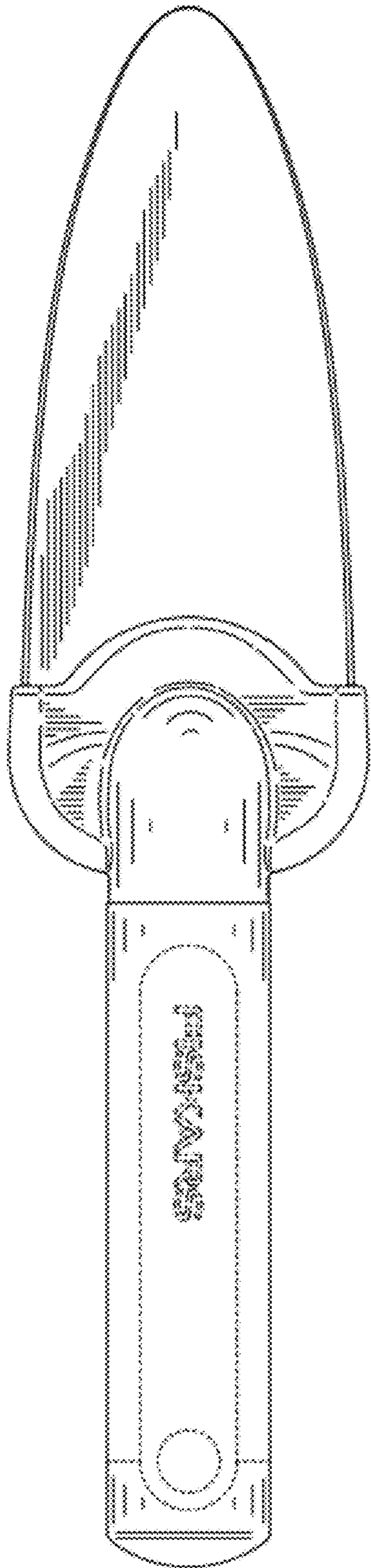


FIGURE 10

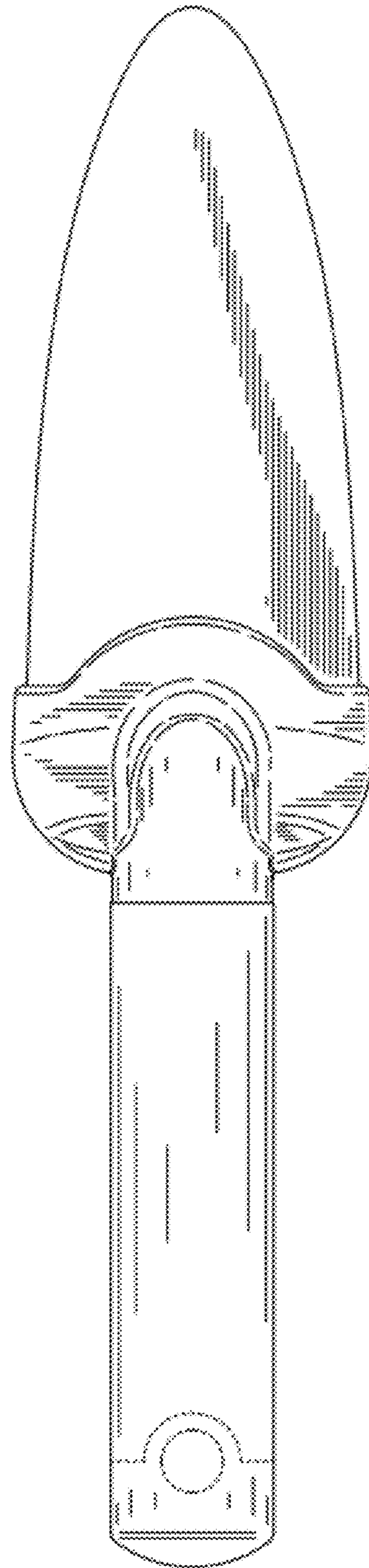




FIGURE 11

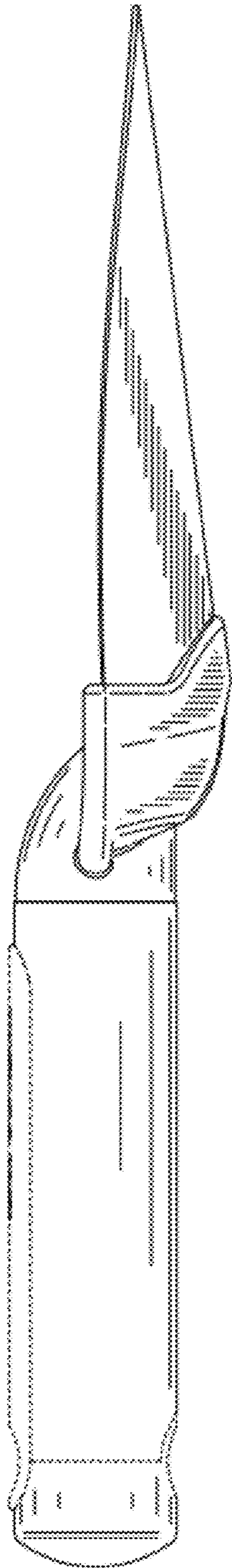


FIGURE 12

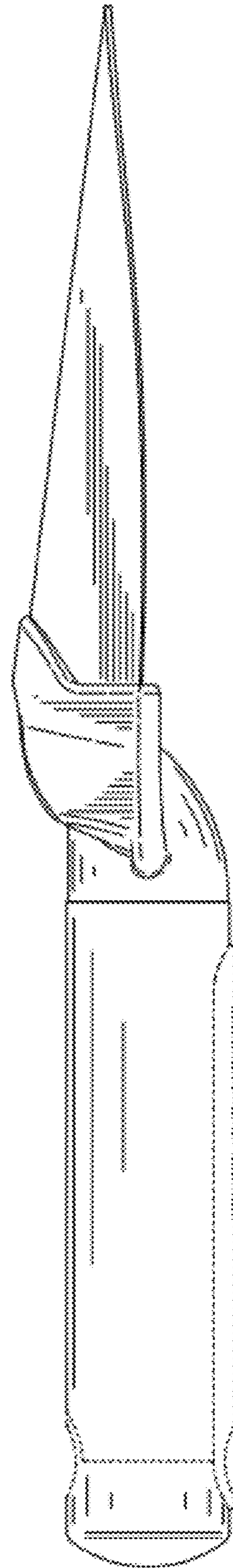


FIGURE 13

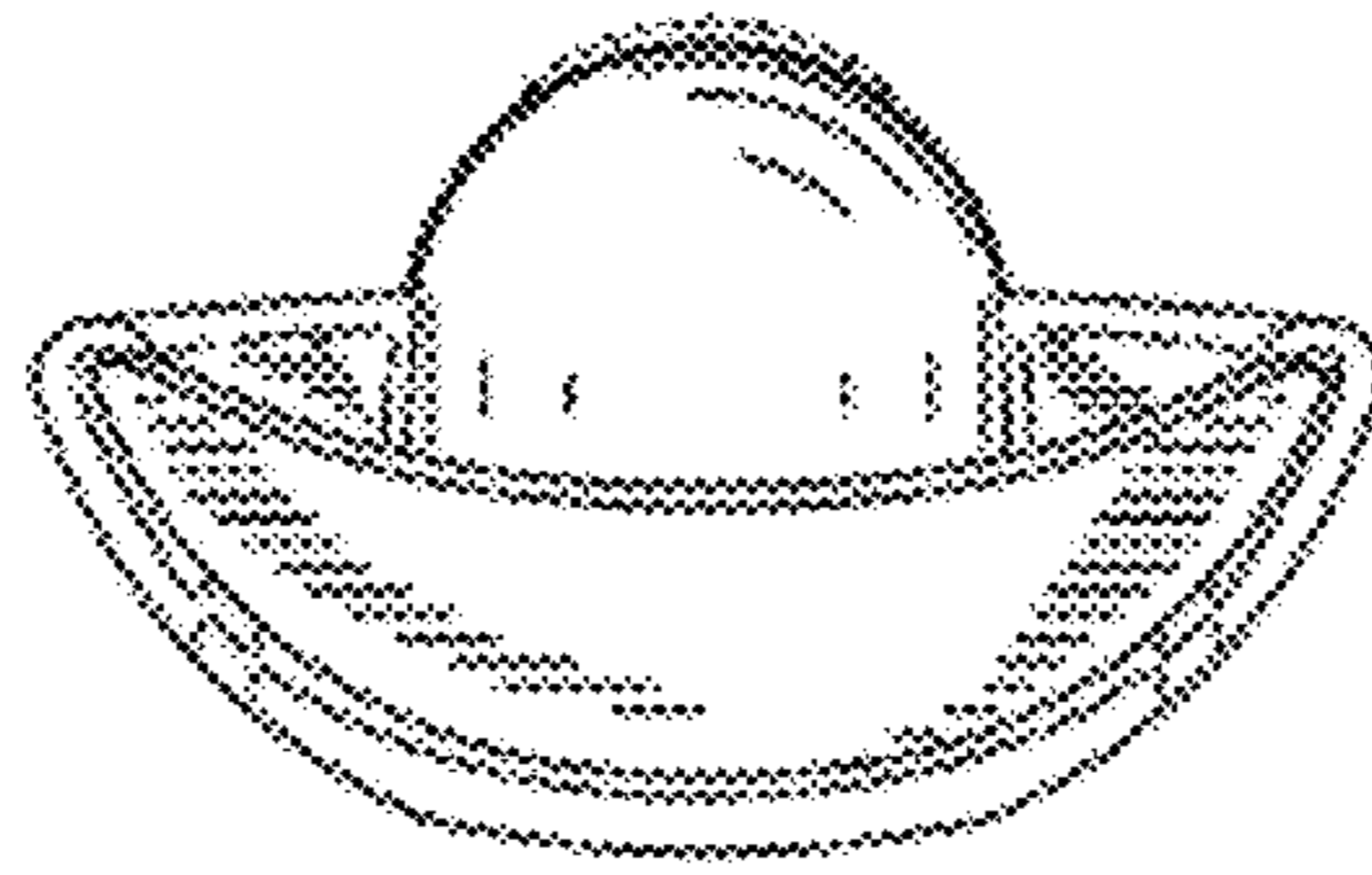


FIGURE 14

