



US00D675074S

(12) **United States Design Patent**
Baxter

(10) **Patent No.:** **US D675,074 S**

(45) **Date of Patent:** **** Jan. 29, 2013**

(54) **STRING TRIMMER**

(75) Inventor: **Mark Baxter**, Newcastle-on-Tyne (GB)

(73) Assignee: **Black & Decker Inc.**, Newark, DE (US)

(**) Term: **14 Years**

(21) Appl. No.: **29/404,953**

(22) Filed: **Oct. 27, 2011**

(30) **Foreign Application Priority Data**

May 26, 2011 (EM) 001278097-0001

(51) **LOC (9) Cl.** **08-01**

(52) **U.S. Cl.** **D8/8**

(58) **Field of Classification Search** D8/8, 7,
D8/1, 9, 107; D15/17, 1; 30/276, 208-210,
30/347, 382-383; 56/12.7, 233-234
See application file for complete search history.

(56) **References Cited**

U.S. PATENT DOCUMENTS

D578,842 S * 10/2008 Houghton D8/8
D582,224 S * 12/2008 Bochmann et al. D8/8

D625,972 S * 10/2010 Sweeney D8/8
D653,090 S * 1/2012 Stratford D8/8
D656,371 S * 3/2012 Sweeney D8/8

* cited by examiner

Primary Examiner — Sheryl Lane

(74) *Attorney, Agent, or Firm* — John Yun

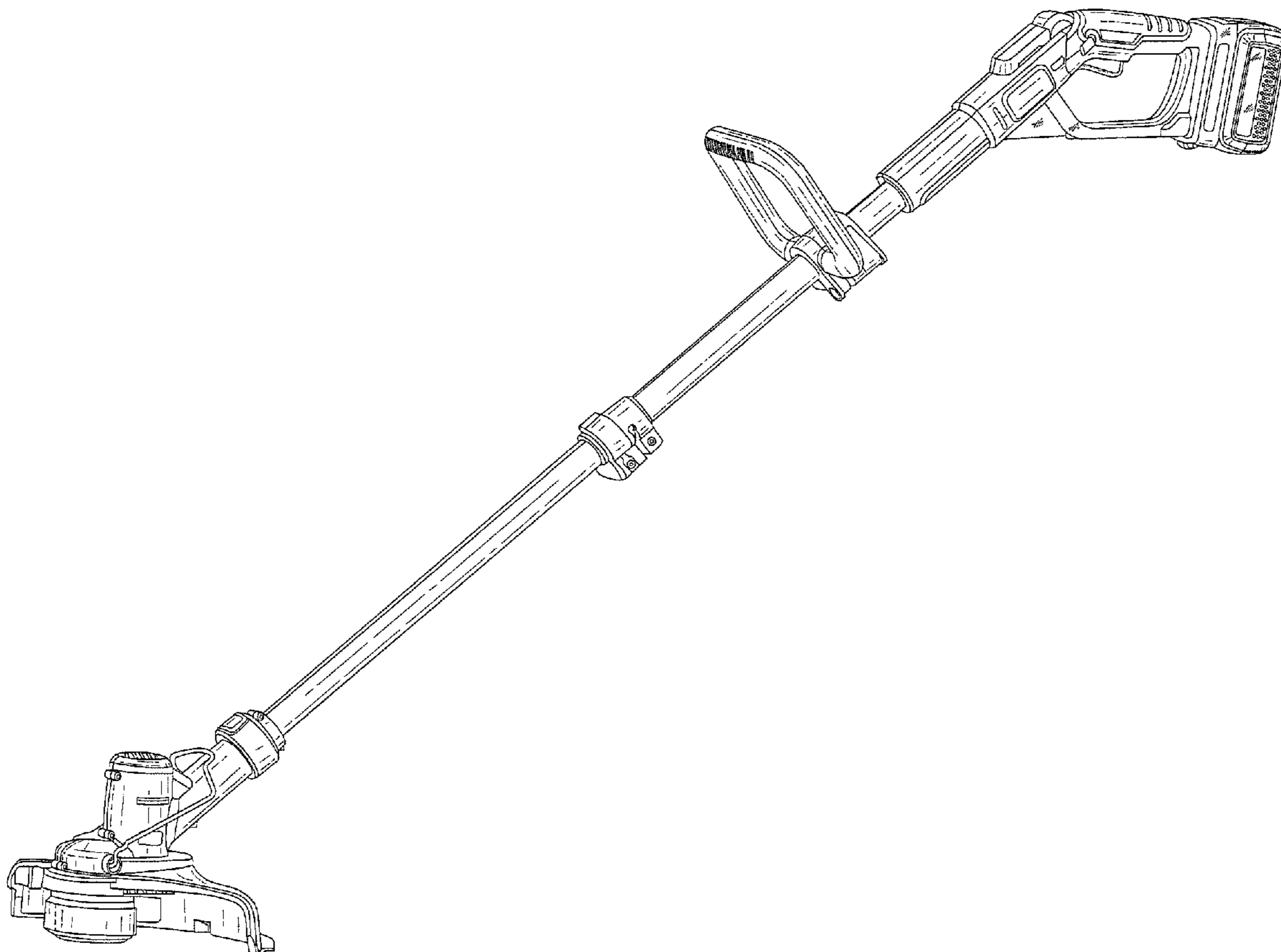
(57) **CLAIM**

The ornamental design for a string trimmer, as shown and described.

DESCRIPTION

FIG. 1 is a perspective view of a string trimmer showing my new design;
FIG. 2 is a left side view thereof
FIG. 3 is a right side view thereof;
FIG. 4 is a front view thereof;
FIG. 5 is a rear view thereof;
FIG. 6 is a top plan view thereof; and,
FIG. 7 is a bottom plan view thereof.
The broken lines of the string trimmer form no part of the claimed design.

1 Claim, 5 Drawing Sheets



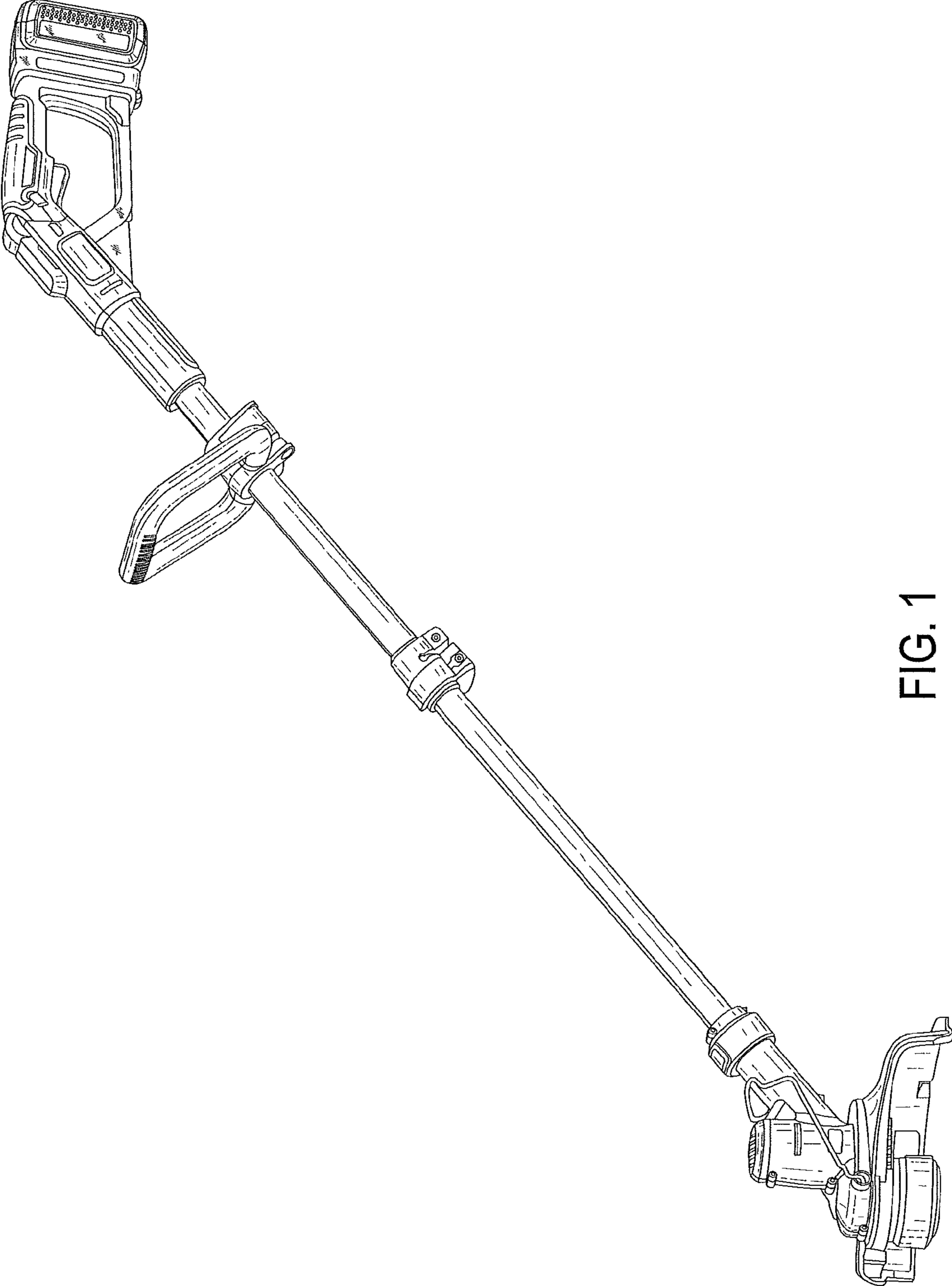


FIG. 1

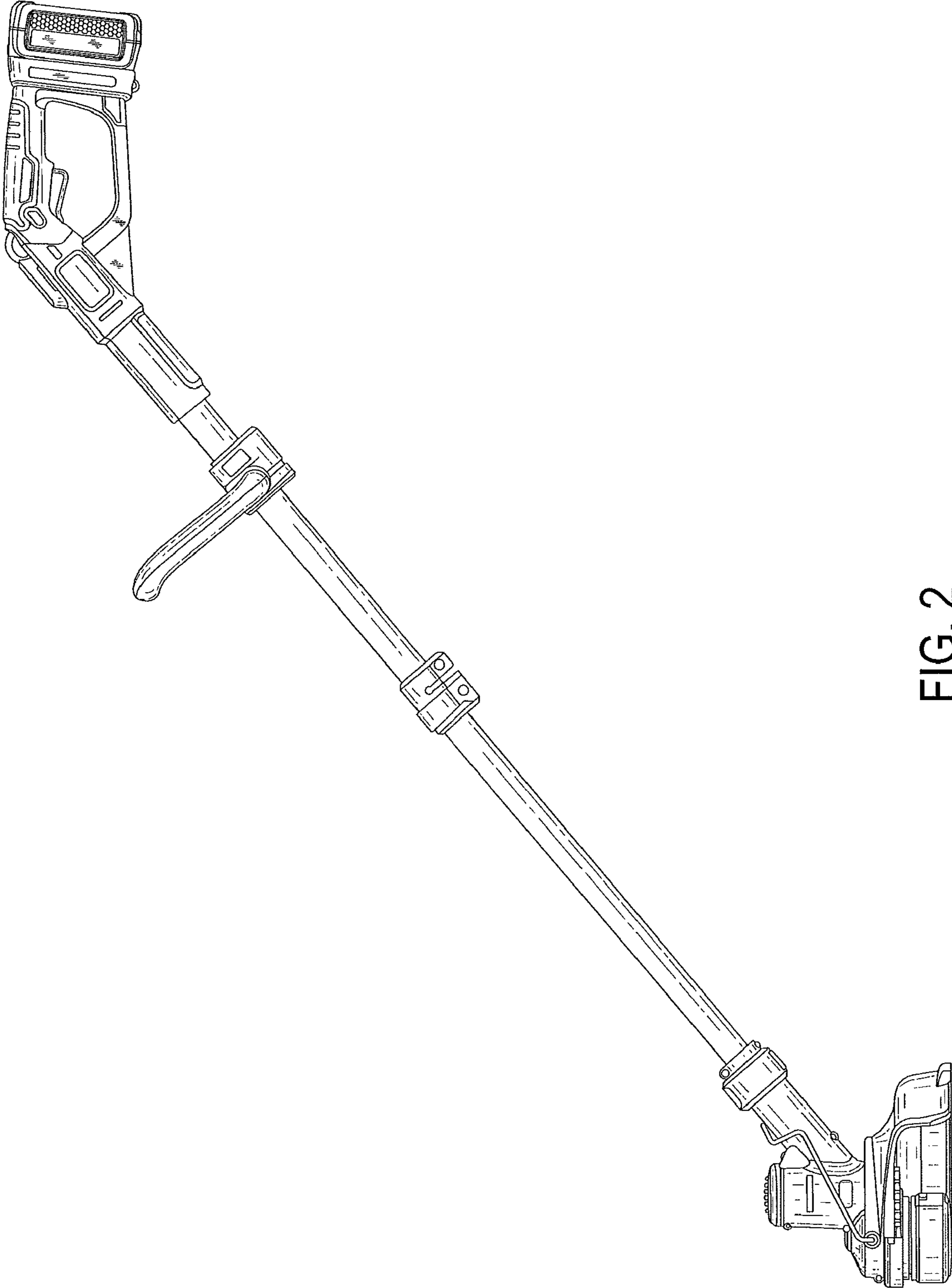


FIG. 2

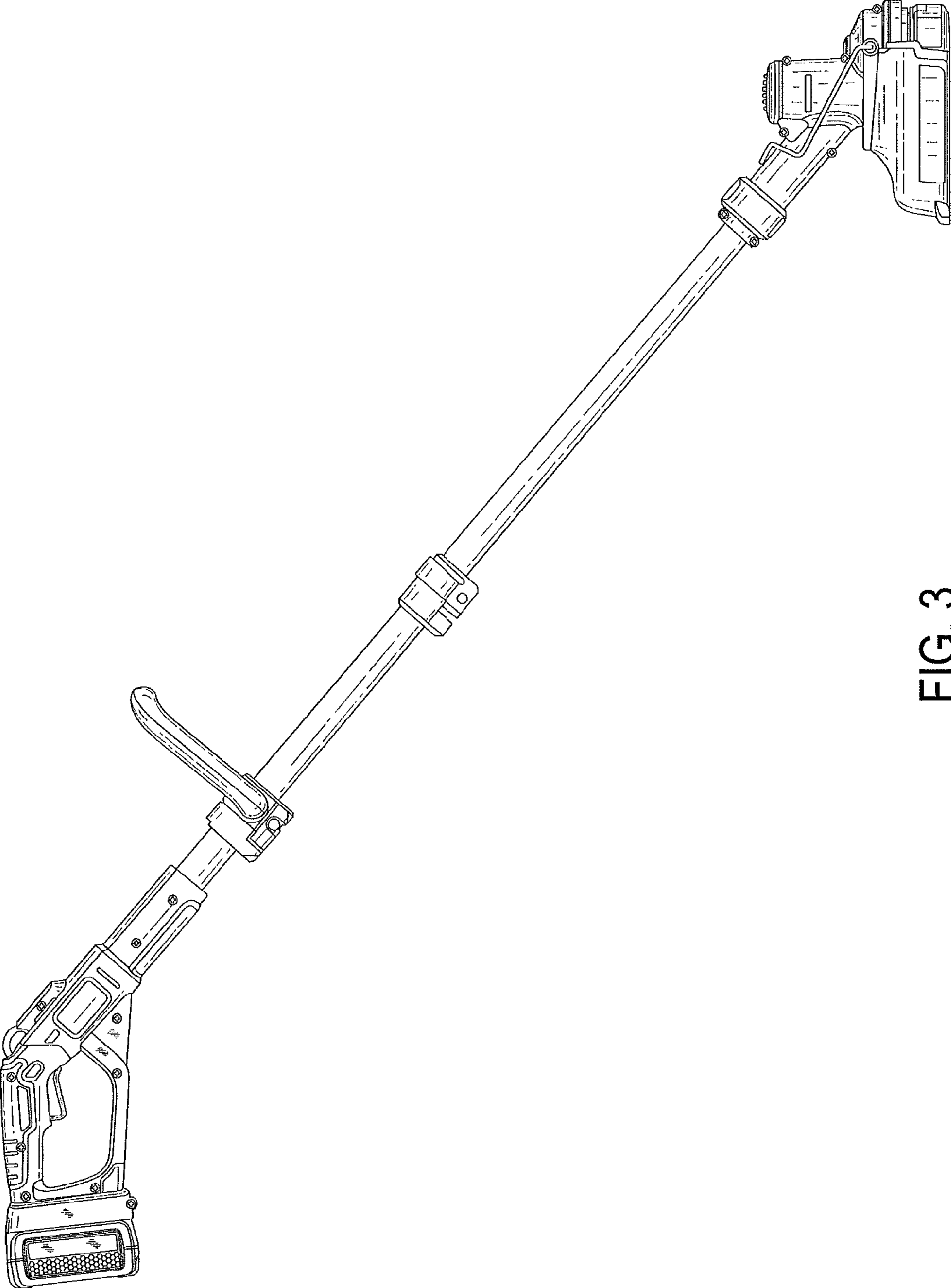


FIG. 3

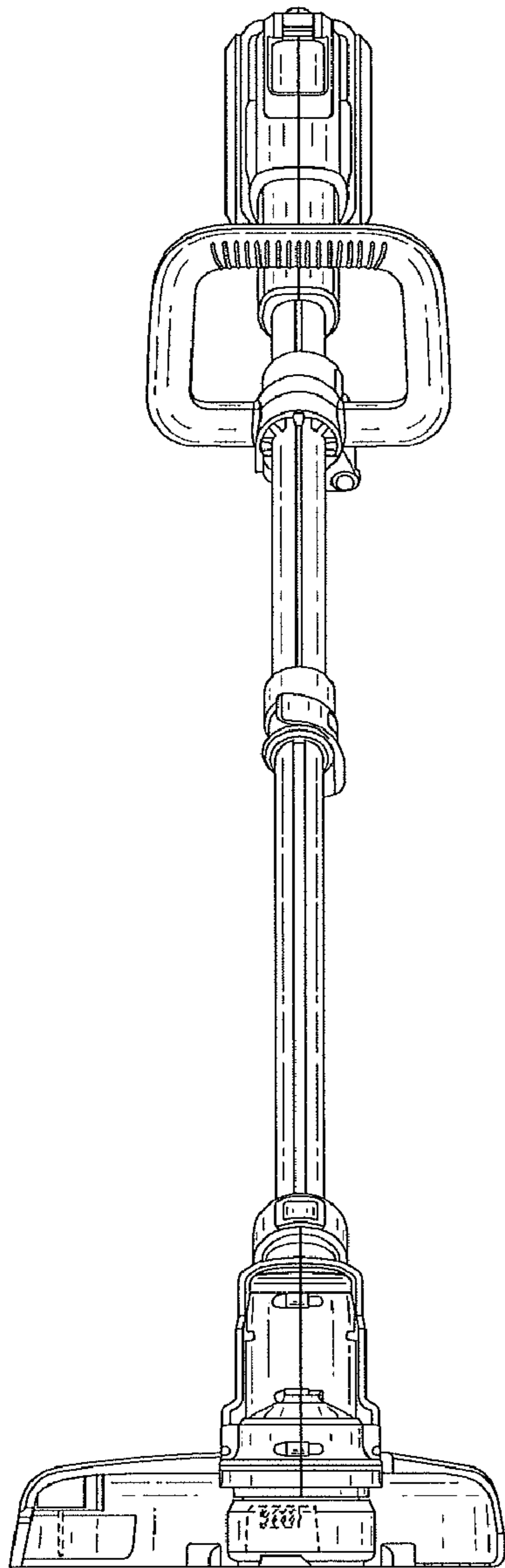


FIG. 4

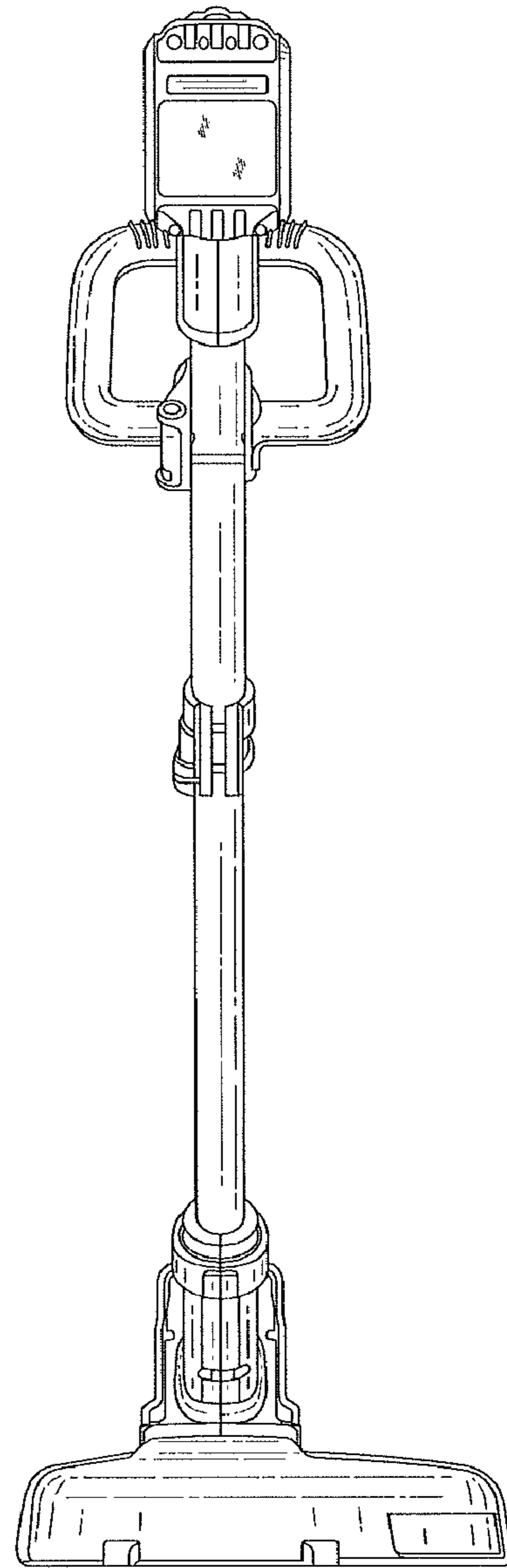


FIG. 5

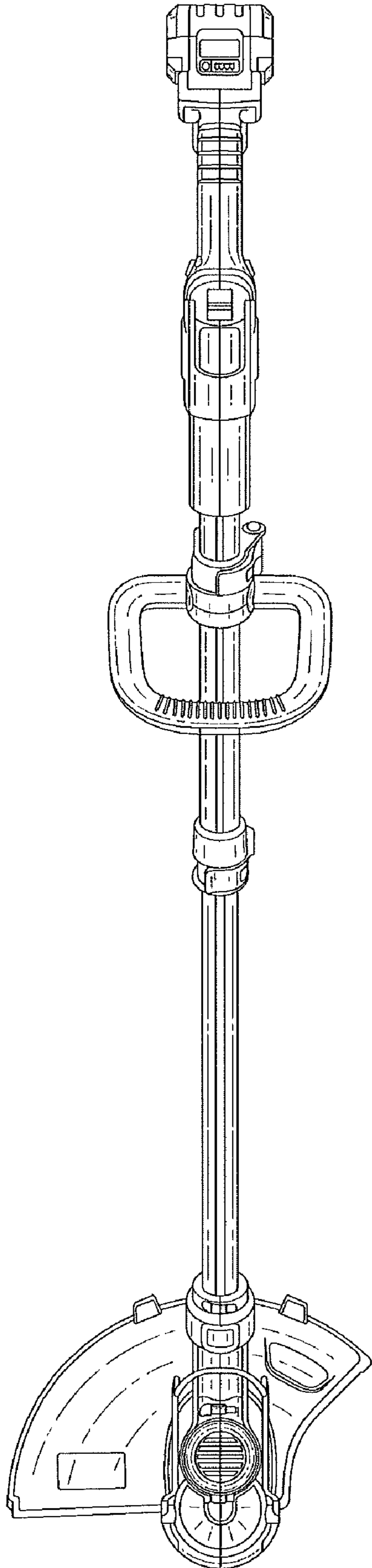


FIG. 6

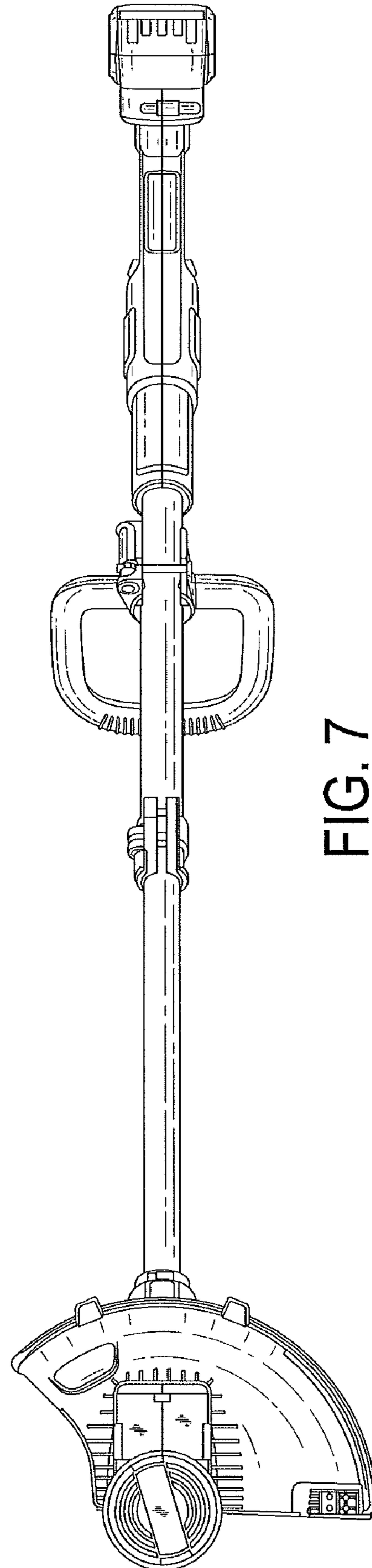


FIG. 7