



US00D675073S

(12) **United States Design Patent**
Milburn

(10) **Patent No.:** **US D675,073 S**

(45) **Date of Patent:** **** Jan. 29, 2013**

(54) **WEED CUTTING BLADE**

(76) Inventor: **Darin J Milburn**, Caldwell, ID (US)

(**) Term: **14 Years**

(21) Appl. No.: **29/389,002**

(22) Filed: **Apr. 5, 2011**

(51) **LOC (9) Cl.** **08-01**

(52) **U.S. Cl.** **D8/8; D15/29**

(58) **Field of Classification Search** D8/1, 6-9;
30/347, 276, 390; 56/295, 255, 288, 17.5;
D15/17, 28, 29; 24/282.1; D7/412

See application file for complete search history.

(56) **References Cited**

U.S. PATENT DOCUMENTS

3,343,350	A *	9/1967	Freedlander et al.	56/295
3,781,991	A *	1/1974	Stretton et al.	30/276
4,250,621	A *	2/1981	Houle	30/347
D268,640	S *	4/1983	Bonforte	D8/8
4,711,076	A	12/1987	Long	
4,893,457	A	1/1990	Castain	
5,287,686	A *	2/1994	Lindsay	56/255
D372,408	S *	8/1996	Robbins	D8/8
D439,118	S *	3/2001	Tomita	D8/8
D493,476	S *	7/2004	Apfel et al.	D15/139
D502,185	S *	2/2005	Byrne	D15/17
D524,827	S	7/2006	Byrne	
D577,372	S *	9/2008	Hung	D15/17
D642,632	S *	8/2011	Johnson	D21/444
D656,519	S *	3/2012	Funnell	D15/17
2009/0173053	A1	7/2009	Stanley	

* cited by examiner

Primary Examiner — Sheryl Lane

(74) *Attorney, Agent, or Firm* — Pedersen and Company, PLLC; Ken J. Pedersen; Barbara S. Pedersen

(57) **CLAIM**

The ornamental design for a weed cutting blade, as shown and described.

DESCRIPTION

FIG. 1 is a top perspective view of the invented weed cutting blade design.

FIG. 2 is a top view of the weed cutting blade design of FIG. 1.

FIG. 3 is a rear view of the weed cutting blade design of FIG. 1.

FIG. 4 is a front view of the weed cutting blade design of FIG. 1.

FIG. 5 is a right side view of the weed cutting blade design of FIG. 1, wherein the left side view will be a mirror image of the right side view.

FIG. 6 is a top perspective view of a weed cutting blade with rounded tips

FIG. 7 a top view of the weed cutting blade design of FIG. 6.

FIG. 8 is a rear view of the weed cutting blade design of FIG. 6.

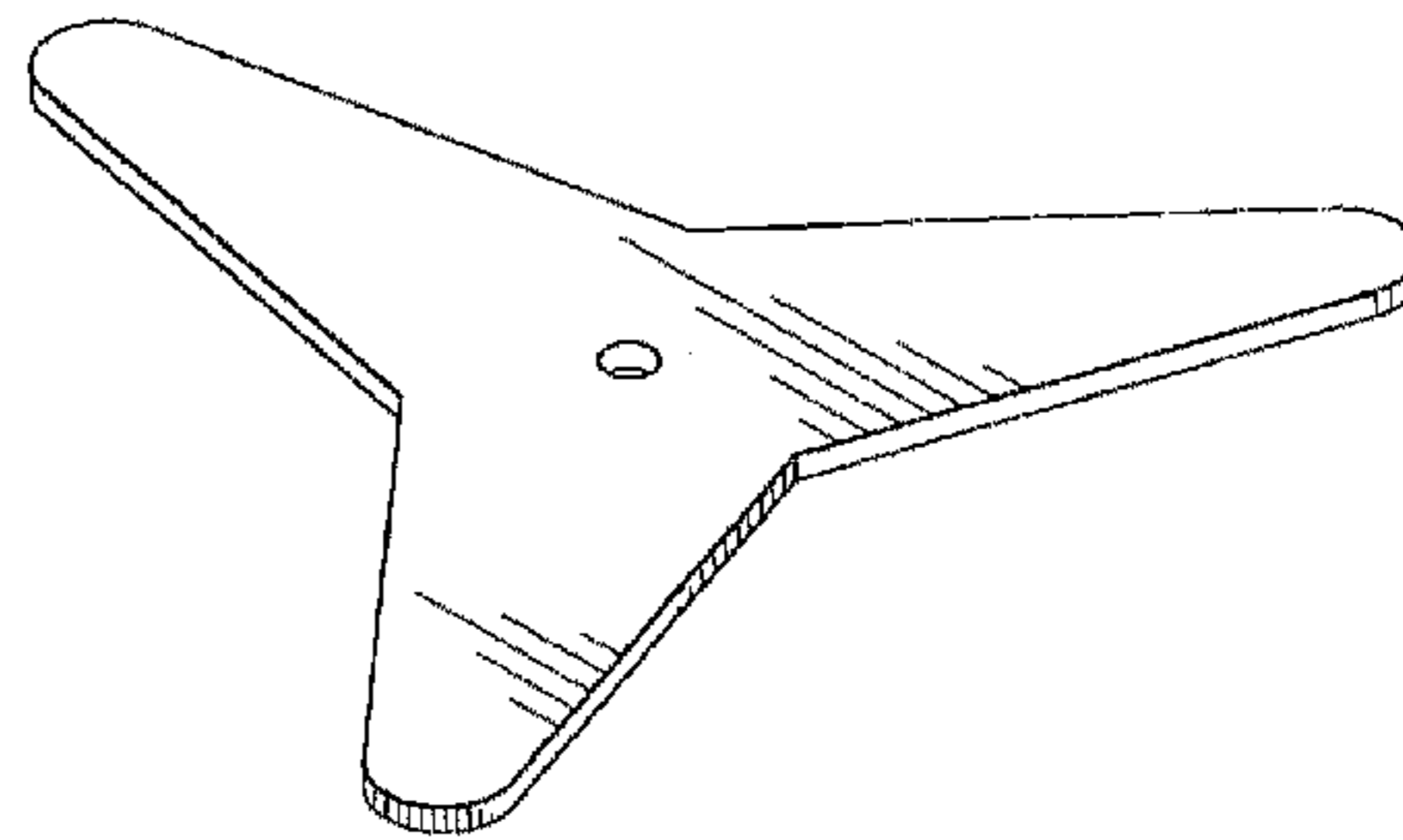
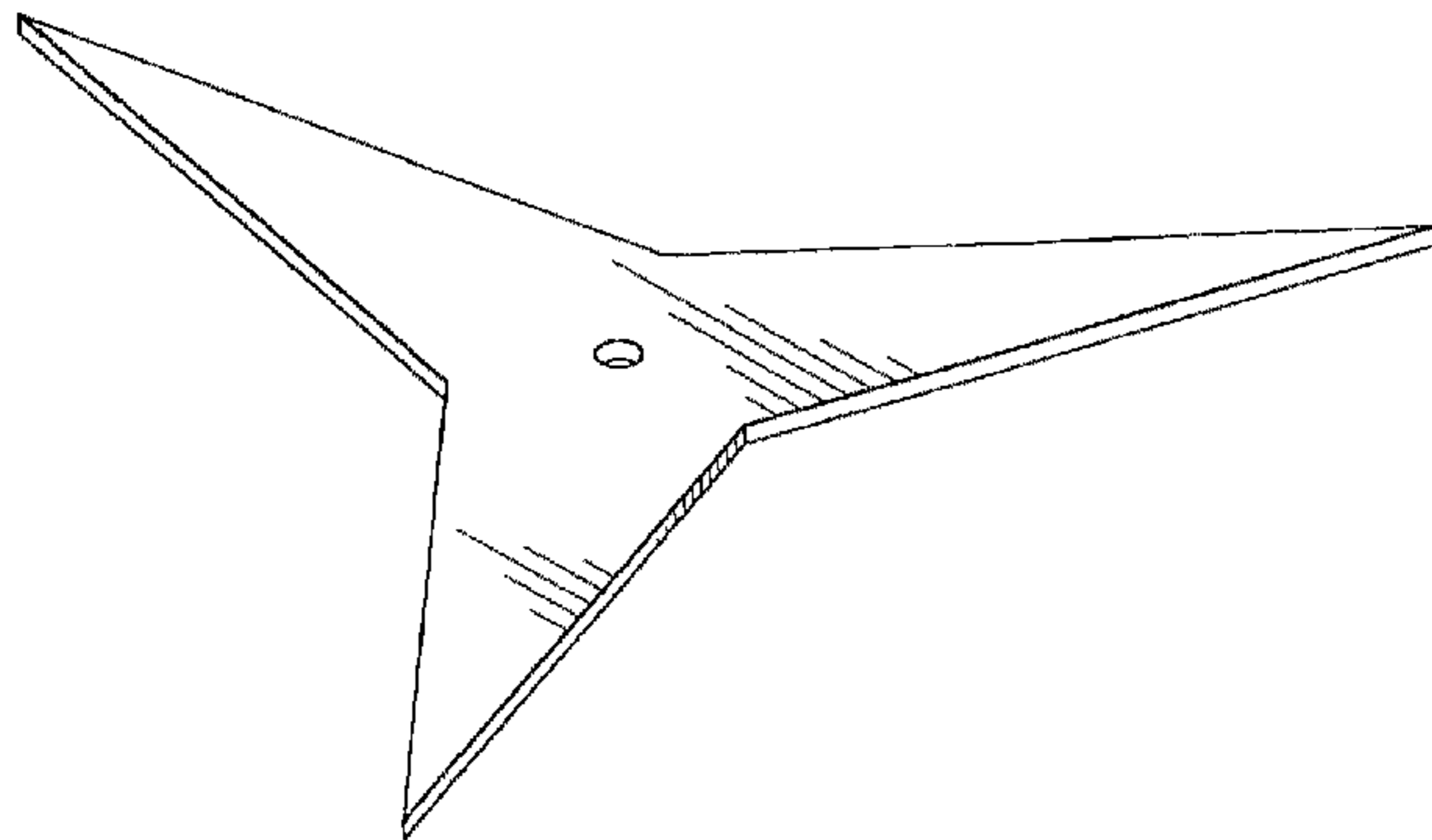
FIG. 9 is a front view of the weed cutting blade design of FIG. 6.

FIG. 10 is a right side view of the weed cutting blade design of FIG. 6, wherein the left side view will be a mirror image of the right side view.

FIG. 11 is an edge view of the weed cutting blade design of FIGS. 1 and 6 showing fibers embedded in the blade; and,

FIG. 12 is an environmental top perspective view of the weed cutting blade design of FIG. 1. The weed cutting device shown in broken lines forms no part of the claimed design.

1 Claim, 3 Drawing Sheets



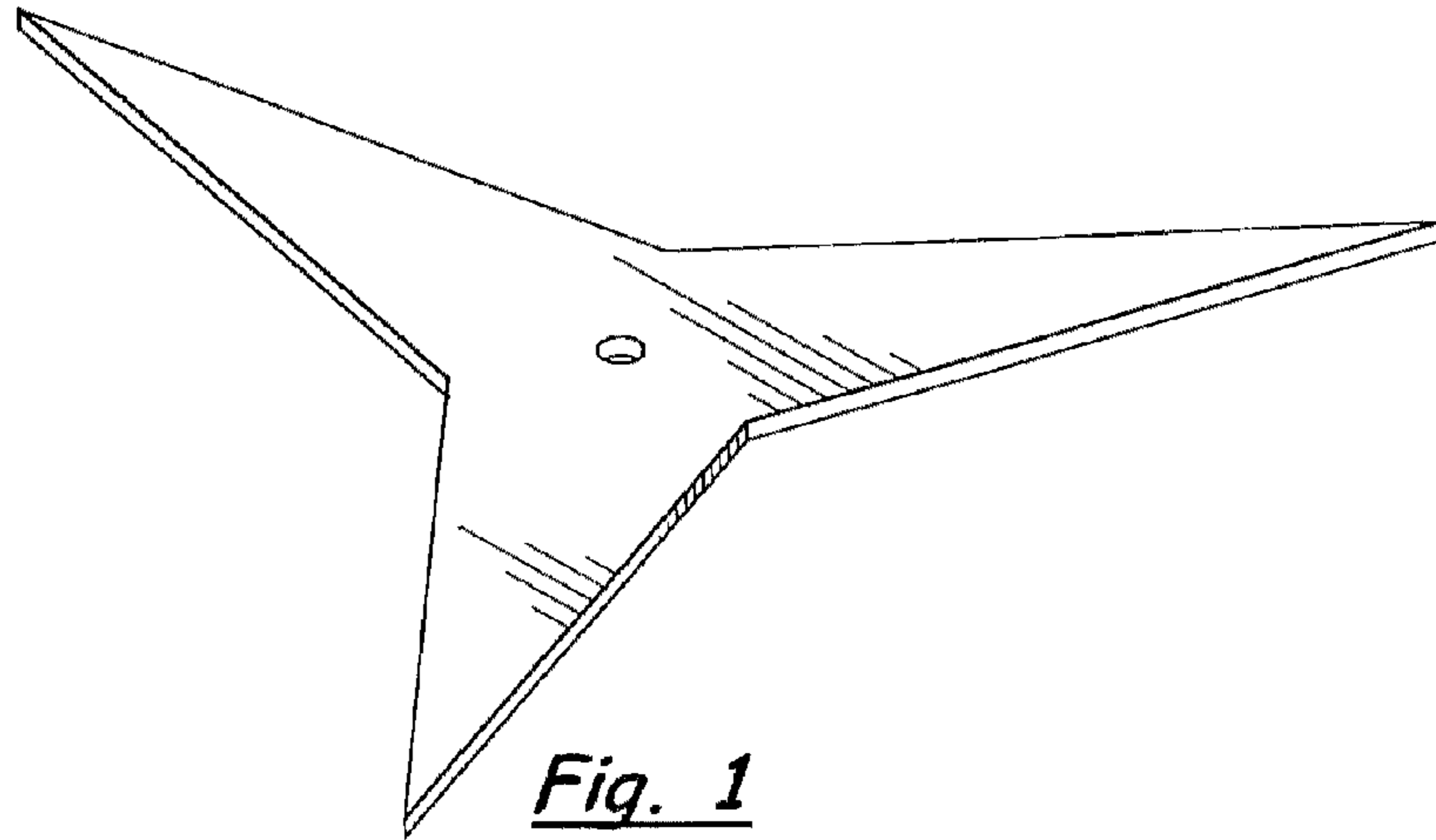


Fig. 1



Fig. 3

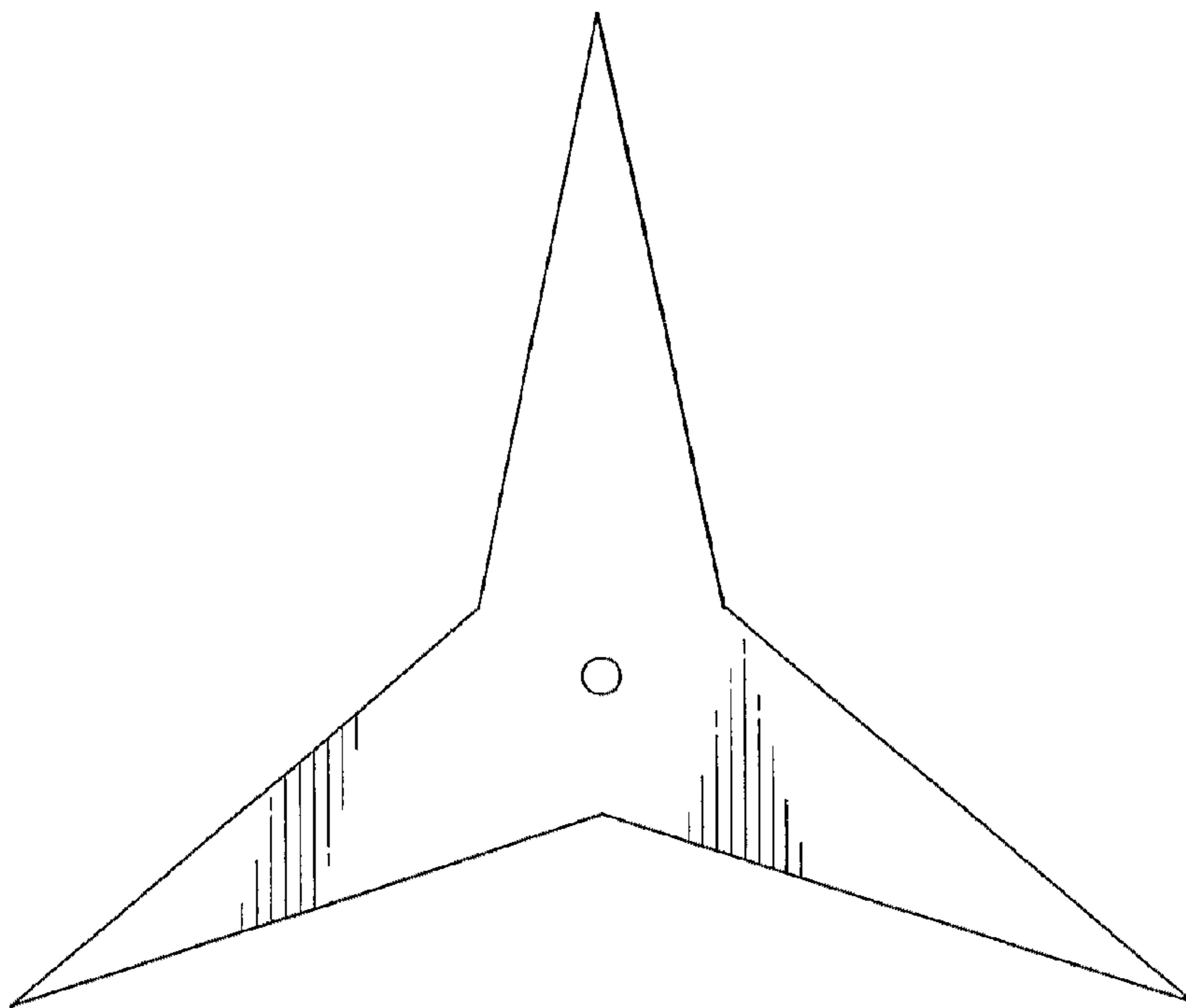


Fig. 2



Fig. 5

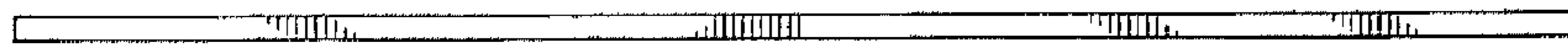


Fig. 4

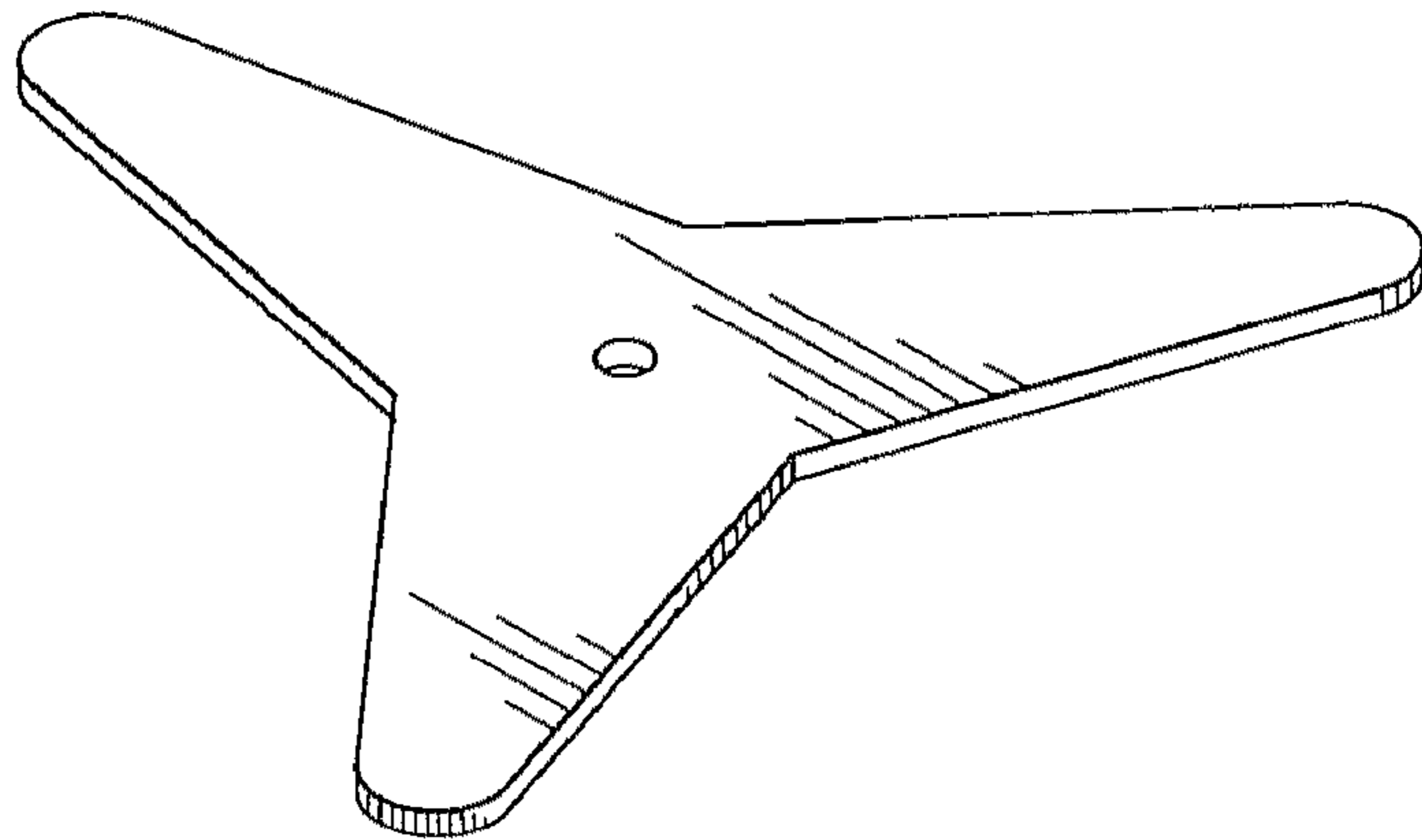


Fig. 6



Fig. 8

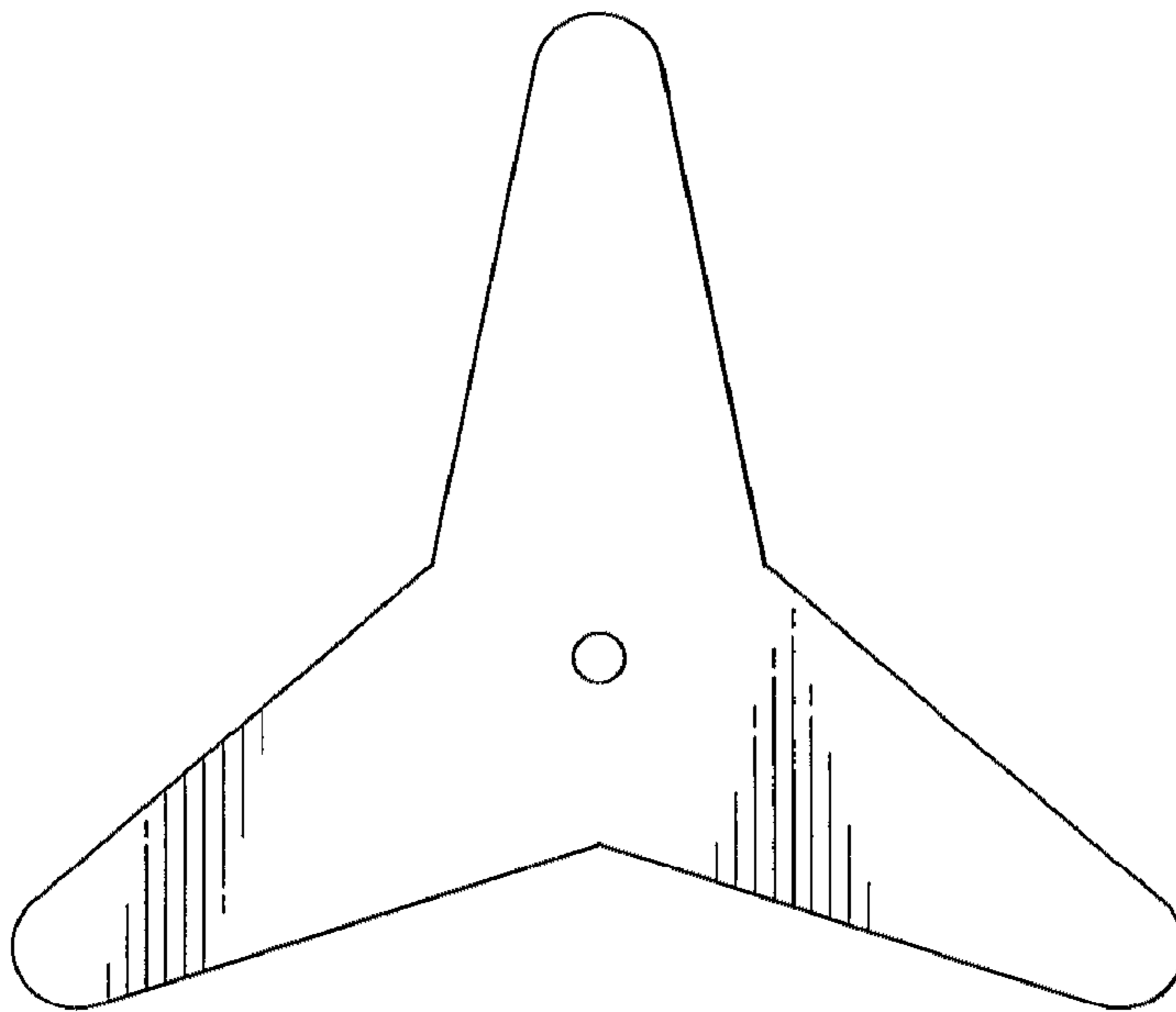


Fig. 7

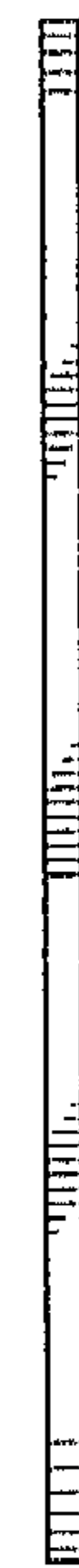


Fig. 10

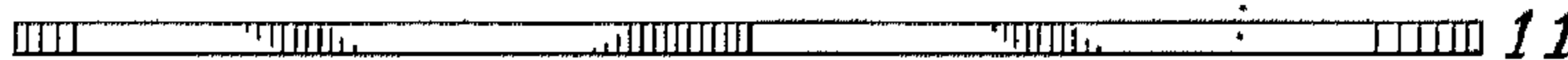


Fig. 9



Fig. 11

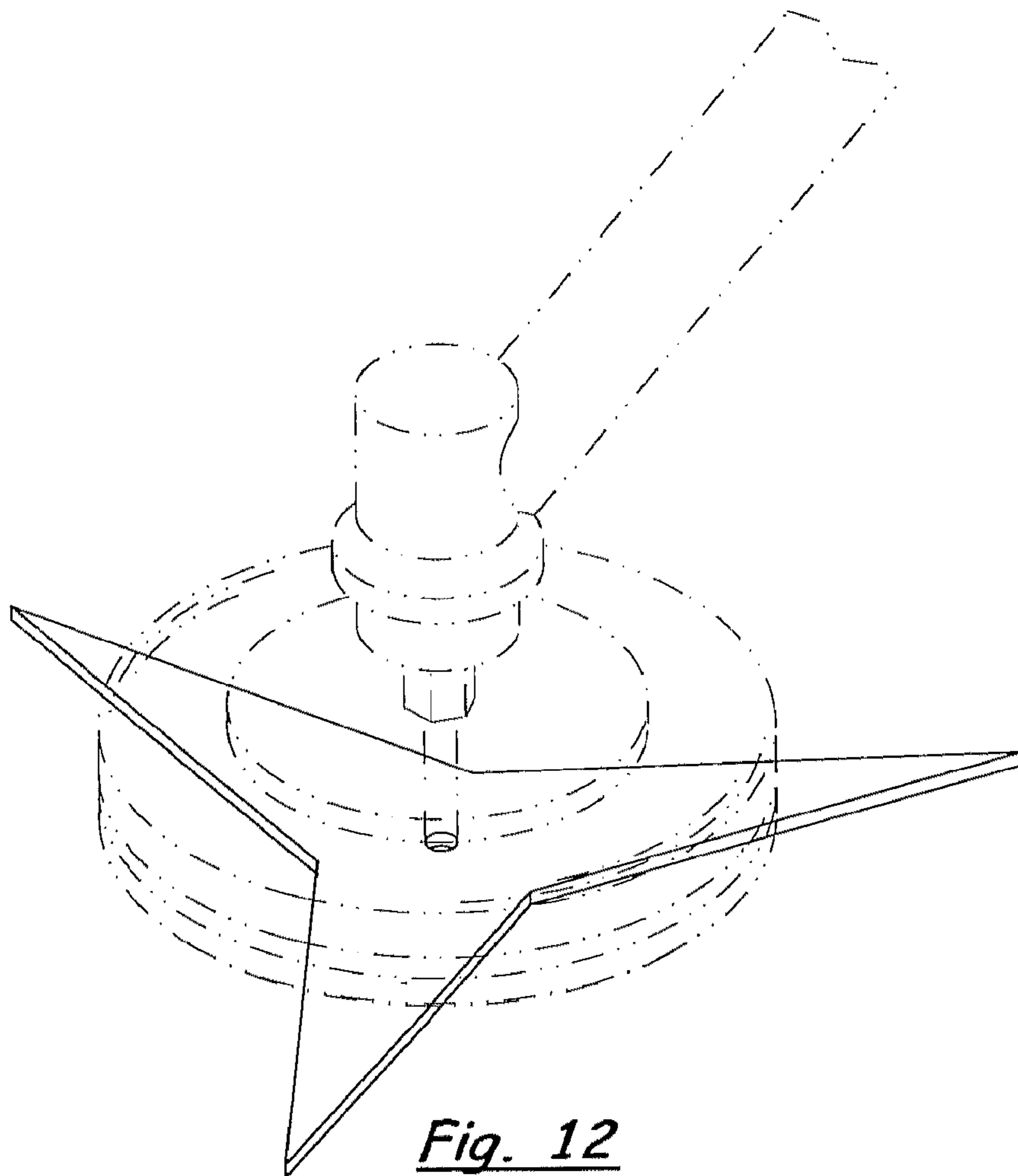


Fig. 12