



US00D675072S

(12) **United States Design Patent**  
**Stratford**

(10) **Patent No.:** **US D675,072 S**

(45) **Date of Patent:** **\*\* Jan. 29, 2013**

(54) **HEDGE TRIMMER**

(75) Inventor: **Mark Stratford**, County Durham (GB)

(73) Assignee: **Black & Decker Inc.**, Newark, DE (US)

(\*\*) Term: **14 Years**

(21) Appl. No.: **29/388,110**

(22) Filed: **Mar. 24, 2011**

(30) **Foreign Application Priority Data**

Oct. 7, 2010 (EP) ..... 001238331

(51) **LOC (9) Cl.** ..... **08-01**

(52) **U.S. Cl.** ..... **D8/8**

(58) **Field of Classification Search** ..... D8/8, 7,  
D8/1, 9, 107; D15/17, 1; 30/276, 208–210,  
30/347, 382–383; 56/12.7, 233–234

See application file for complete search history.

(56) **References Cited**

**U.S. PATENT DOCUMENTS**

D468,600 S \* 1/2003 Evans ..... D8/8  
D543,805 S \* 6/2007 Houghton ..... D8/8  
7,290,641 B2 \* 11/2007 Lee ..... 188/20  
D580,238 S \* 11/2008 Murray ..... D8/8  
D580,239 S \* 11/2008 Murray ..... D8/8

D582,225 S \* 12/2008 Bochmann et al. .... D8/8  
D650,643 S \* 12/2011 Aoki et al. .... D8/8  
D661,557 S \* 6/2012 Sweeney ..... D8/8

\* cited by examiner

*Primary Examiner* — Sheryl Lane

(74) *Attorney, Agent, or Firm* — John Yun

(57) **CLAIM**

The ornamental design for a hedge trimmer, as shown and described.

**DESCRIPTION**

FIG. 1 is a perspective view of a hedge trimmer showing my new design.

FIG. 2 is a right side view of the hedge trimmer according to FIG. 1.

FIG. 3 is a left side view of the hedge trimmer according to FIG. 1.

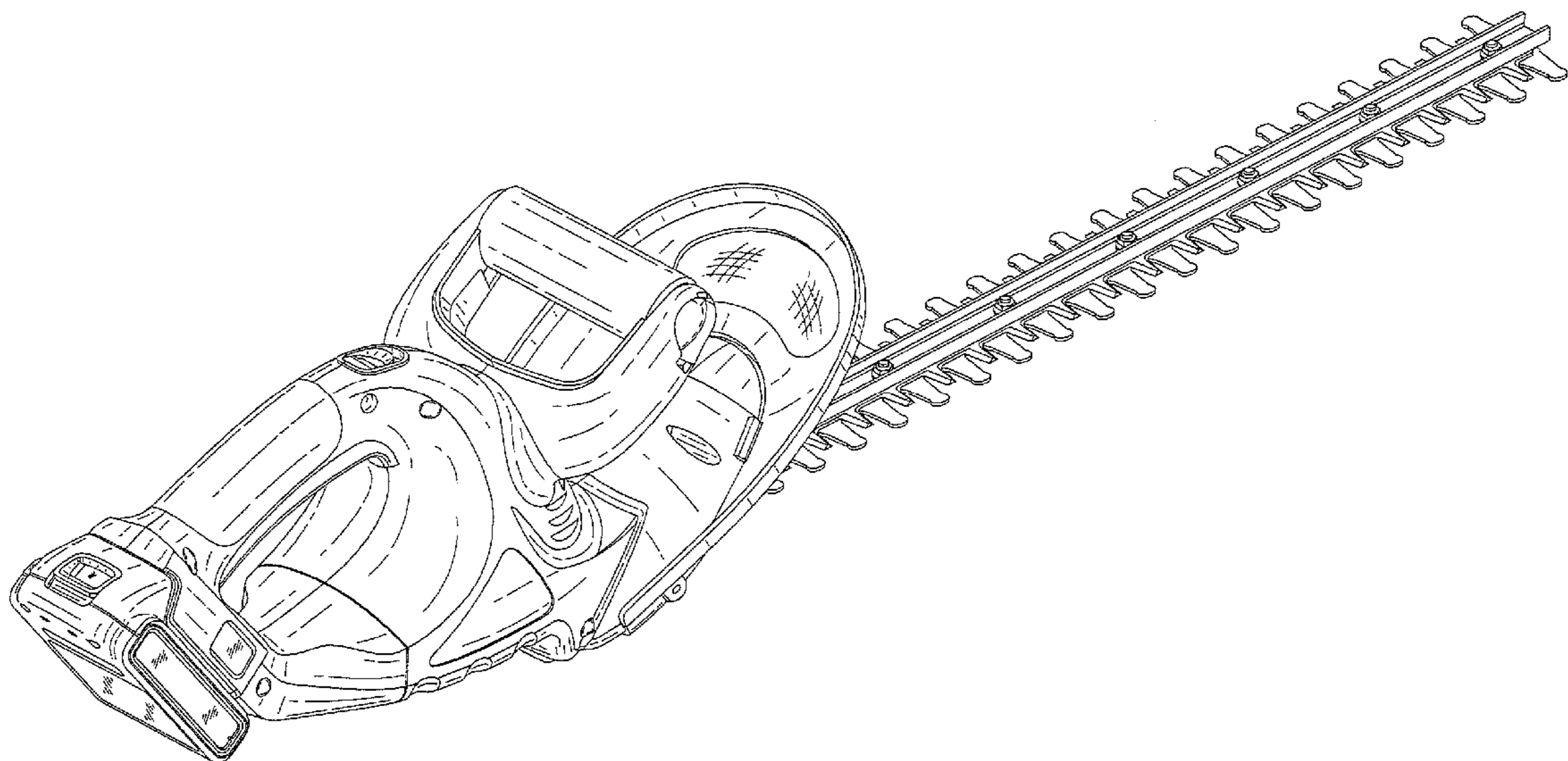
FIG. 4 is a front view of the hedge trimmer according to FIG. 1.

FIG. 5 is a rear view of the hedge trimmer according to FIG. 1.

FIG. 6 is a top view of the hedge trimmer according to FIG. 1; and,

FIG. 7 is a bottom view of the hedge trimmer according to FIG. 1.

**1 Claim, 4 Drawing Sheets**



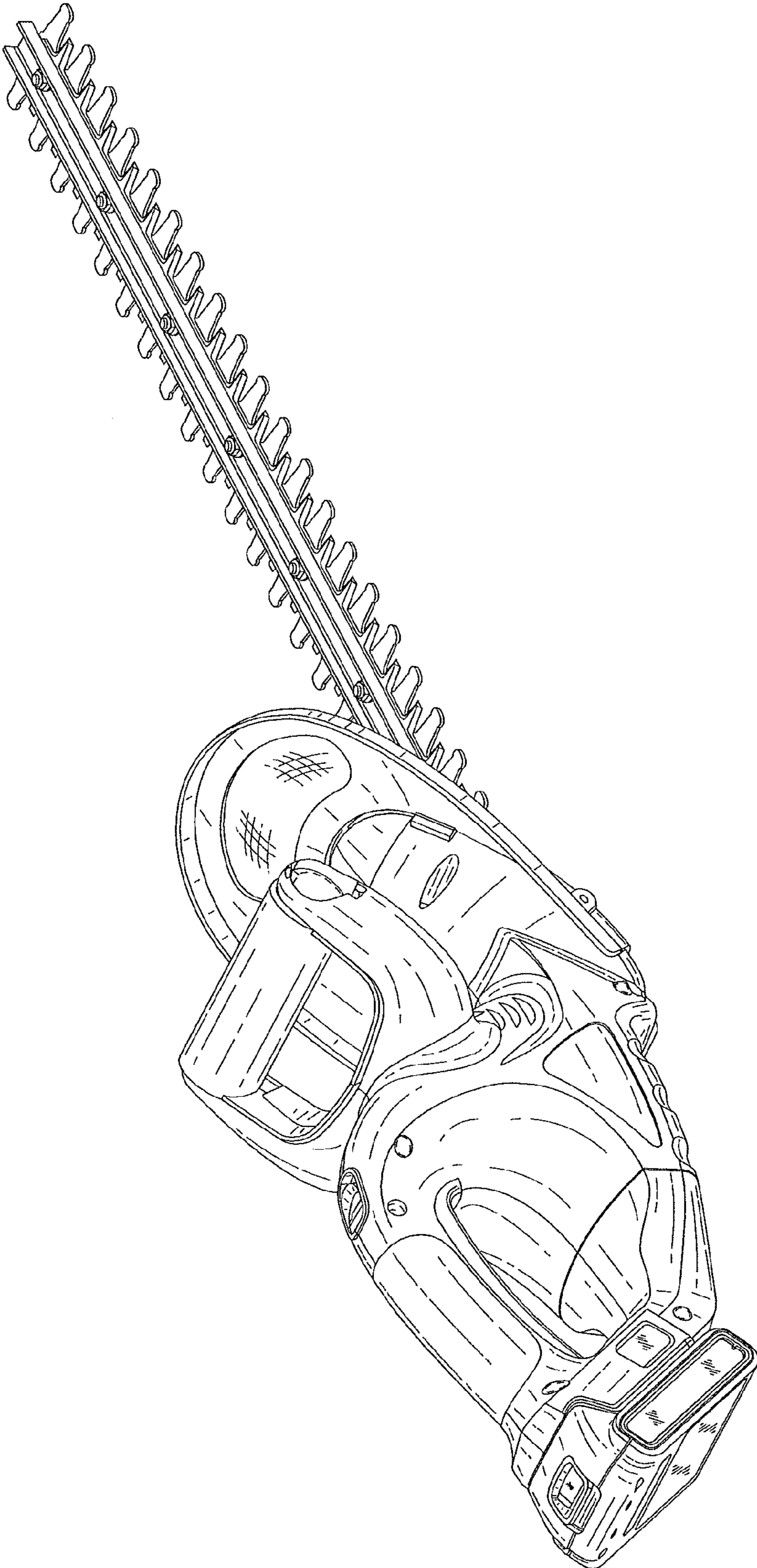


FIG. 1

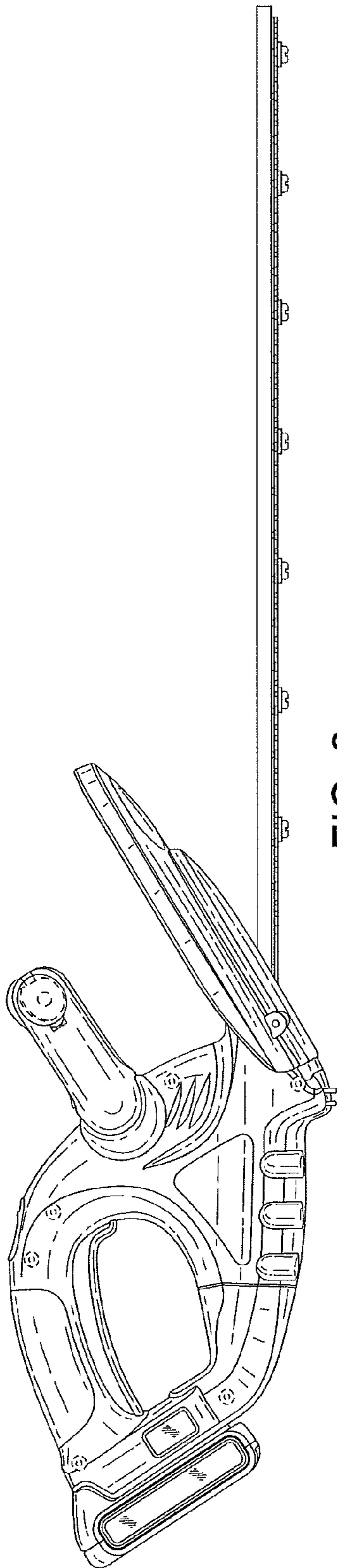


FIG. 2

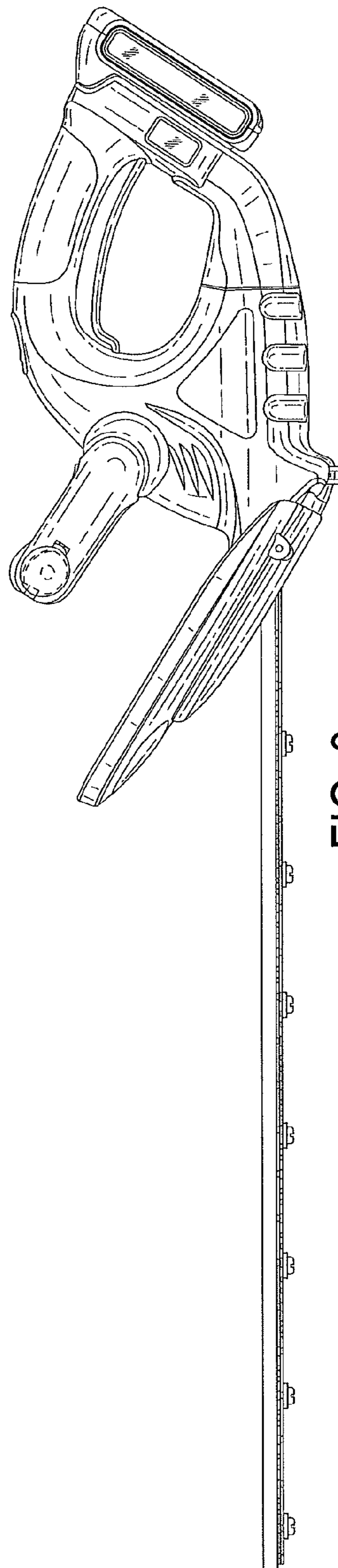


FIG. 3

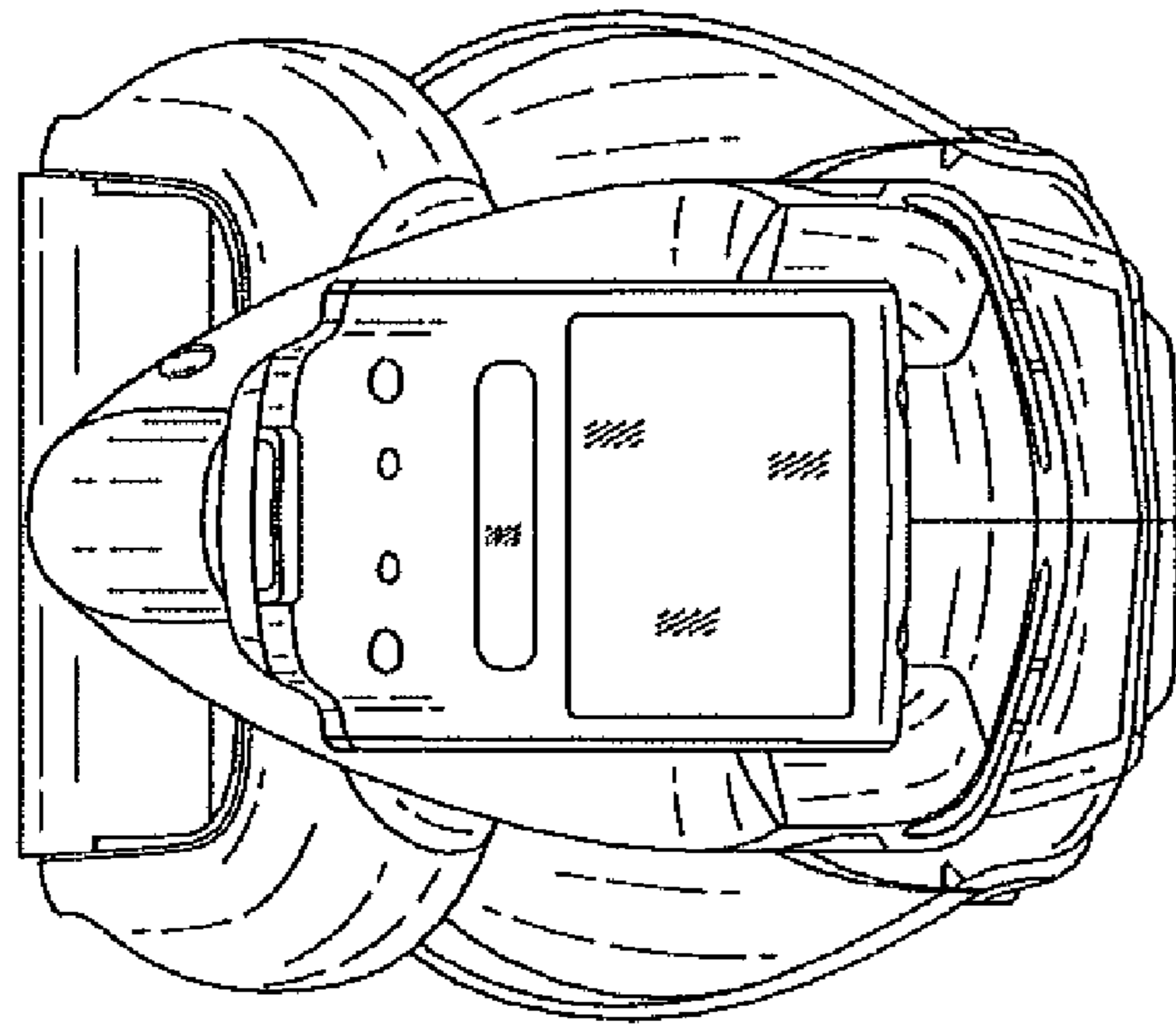


FIG. 5

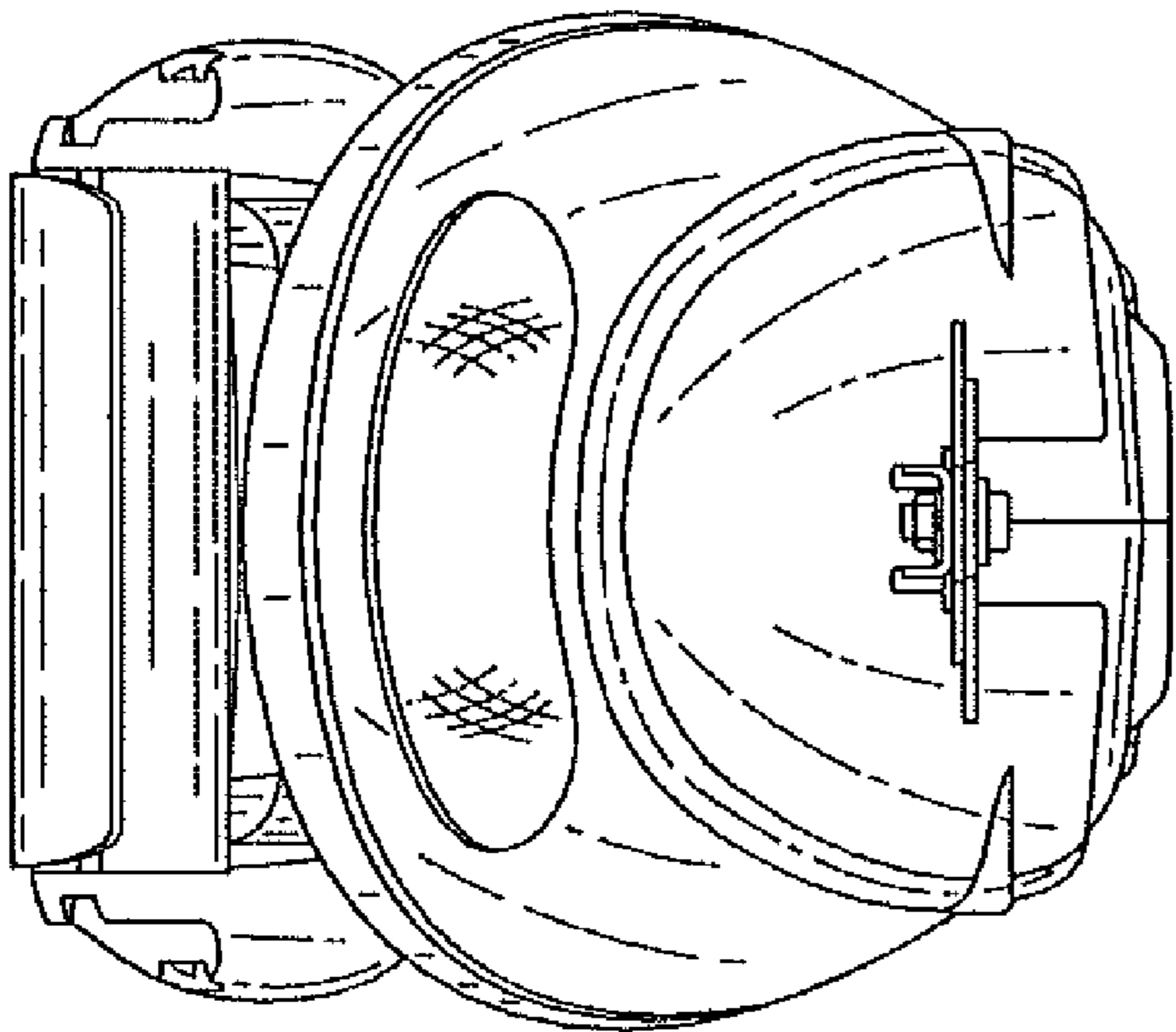


FIG. 4

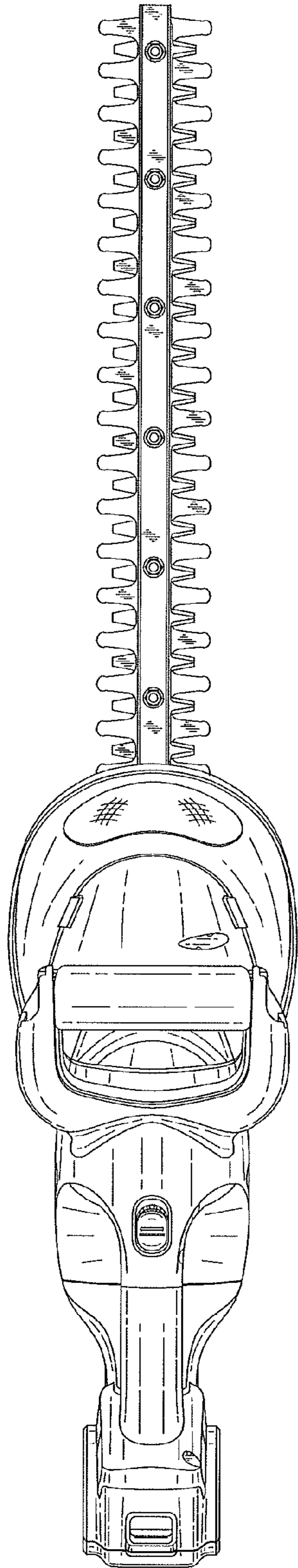


FIG. 6

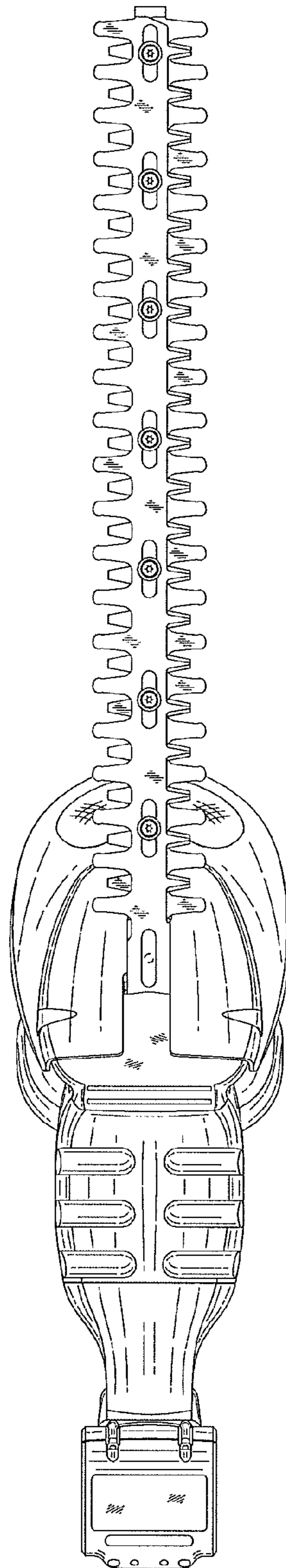


FIG. 7