



US00D675071S

(12) **United States Design Patent**
Kramer

(10) **Patent No.:** **US D675,071 S**
(45) **Date of Patent:** **** Jan. 29, 2013**

(54) **FOLDAWAY CHOPPING STAND WITH
REPLACEABLE CHOPPING SURFACE**

(76) Inventor: **Gershon Kramer, Ofra (IL)**

(**) Term: **14 Years**

(21) Appl. No.: **29/427,520**

(22) Filed: **Jul. 19, 2012**

(51) **LOC (9) Cl.** **07-04**

(52) **U.S. Cl.** **D7/698; D7/699**

(58) **Field of Classification Search** D6/349,
D6/484; D7/354, 359–360, 368, 392.1, 396.1,
D7/409, 412, 505, 546, 549, 550.1, 552.1–552.2,
D7/553.1, 553.5, 553.8, 554.3–554.4, 555,
D7/586, 637, 667, 673, 698–699; D34/11;
99/324, 357, 449–450, 484; 108/26, 44;
269/2, 13, 15–16, 289 R, 302.1, 575
See application file for complete search history.

(56) **References Cited**

U.S. PATENT DOCUMENTS

166,038	A *	7/1875	Stepp	269/2
D152,153	S *	12/1948	Harvey	D6/349
2,609,024	A *	9/1952	Russ	269/15
D283,777	S *	5/1986	Morin	D7/698
5,170,720	A *	12/1992	Scheurer	108/44
5,363,755	A *	11/1994	Liang	99/484
D358,511	S *	5/1995	Frahm	D6/484
6,745,702	B2 *	6/2004	Goldberg et al.	108/26

D545,523	S *	6/2007	Goldberg et al.	D34/11
D574,200	S *	8/2008	Pearl et al.	D7/698
D605,908	S *	12/2009	Pearl et al.	D7/698
2003/0218290	A1 *	11/2003	Goldberg et al.	269/289 R
2007/0001359	A1 *	1/2007	Pearl et al.	269/289 R

* cited by examiner

Primary Examiner — Ricky Pham

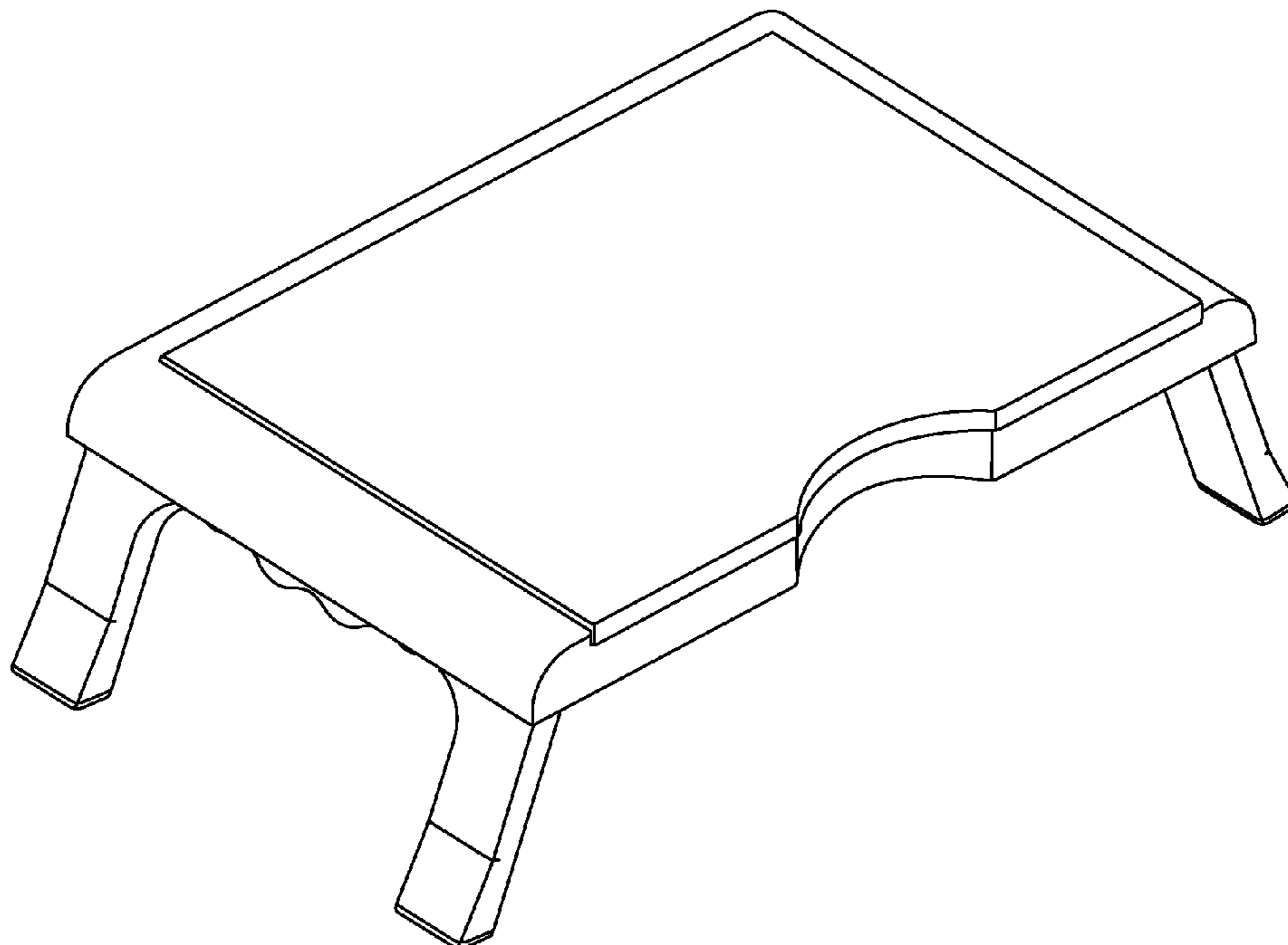
(57) **CLAIM**

The ornamental design for a foldaway chopping stand with replaceable chopping surface, as shown in the drawings.

DESCRIPTION

FIG. 1 is a front view of the Foldaway chopping stand with replaceable chopping surface;
FIG. 2 is back view thereof;
FIG. 3 is a left view thereof;
FIG. 4 is a right view thereof;
FIG. 5 is a top view thereof;
FIG. 6 is a bottom view thereof;
FIG. 7 is a top front left perspective view thereof;
FIG. 8 is an exploded top view thereof, shown with the replaceable chopping surface displaced to one side for completeness of illustration; and,
FIG. 9 is a bottom view thereof with the legs folded away.
The broken lines form no part of the claimed design.

1 Claim, 9 Drawing Sheets



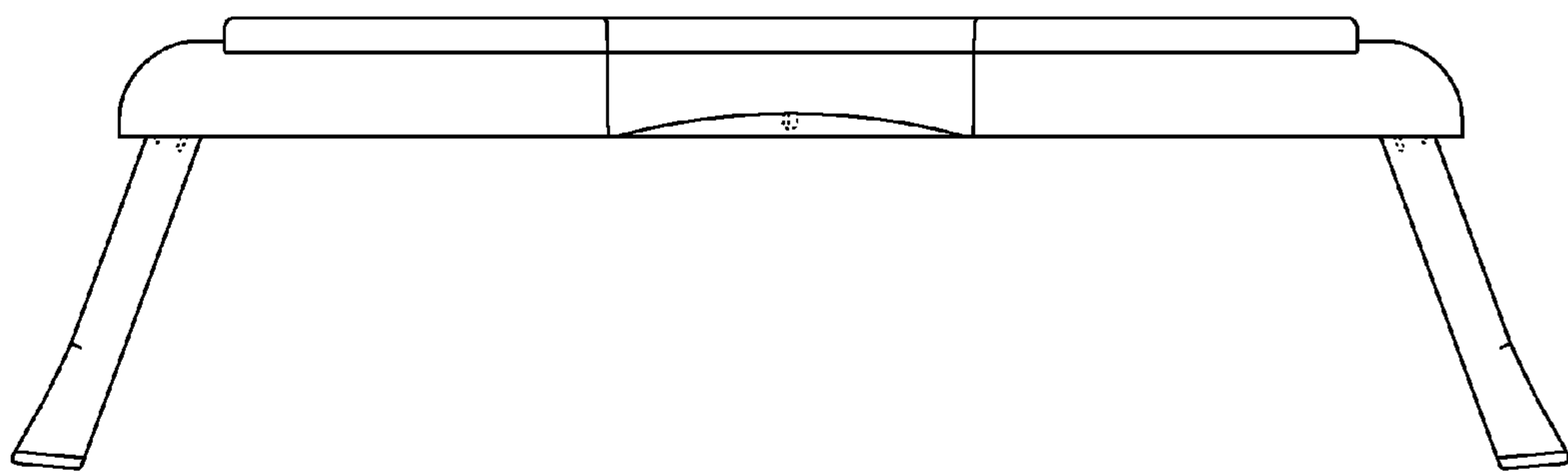


FIG. 1

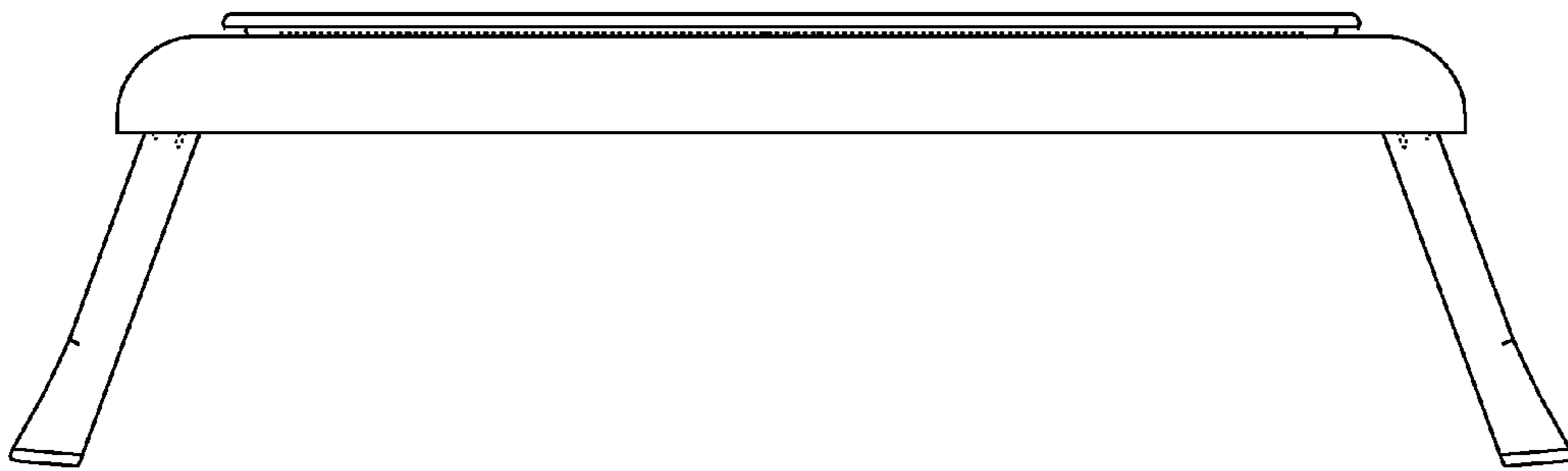


FIG. 2

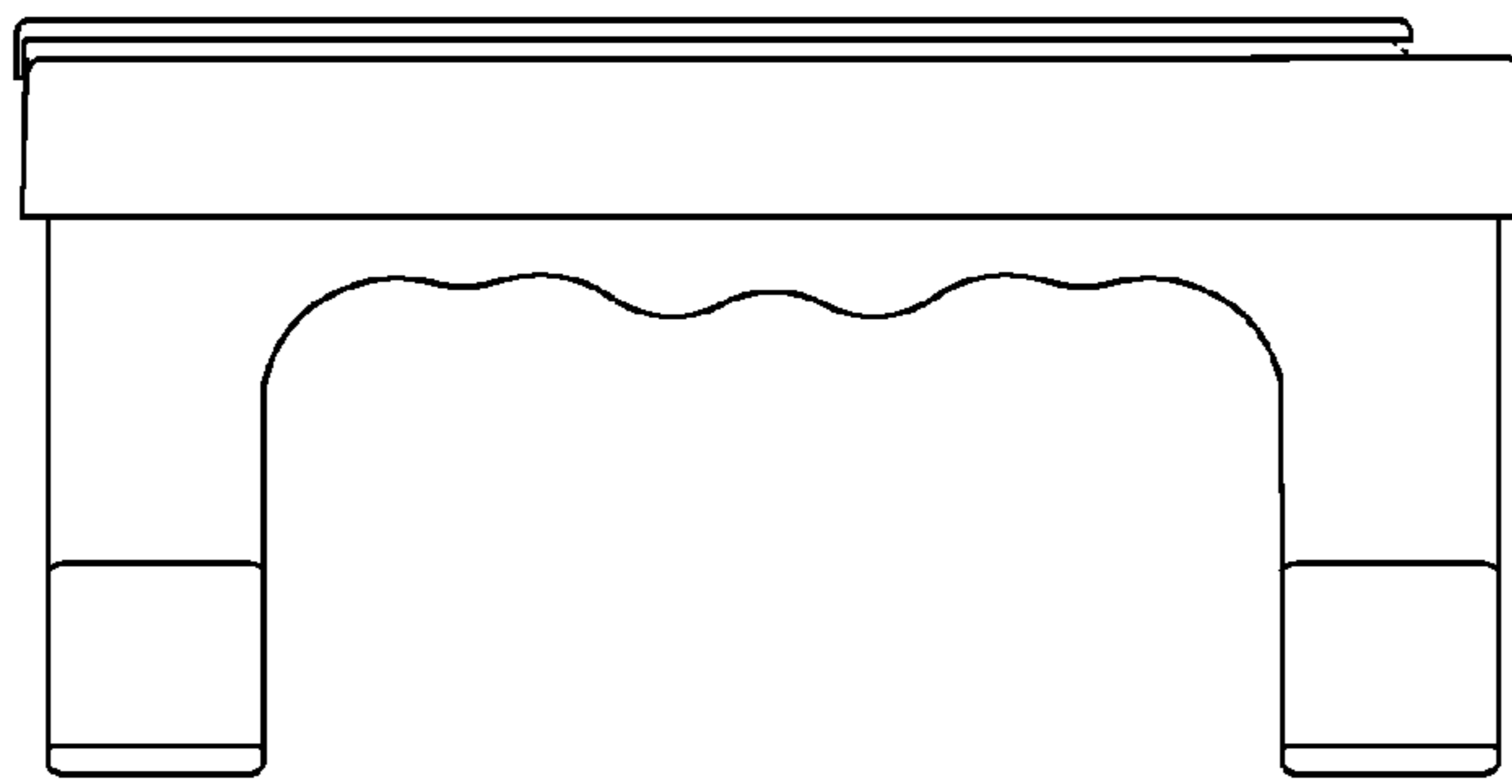


FIG. 3

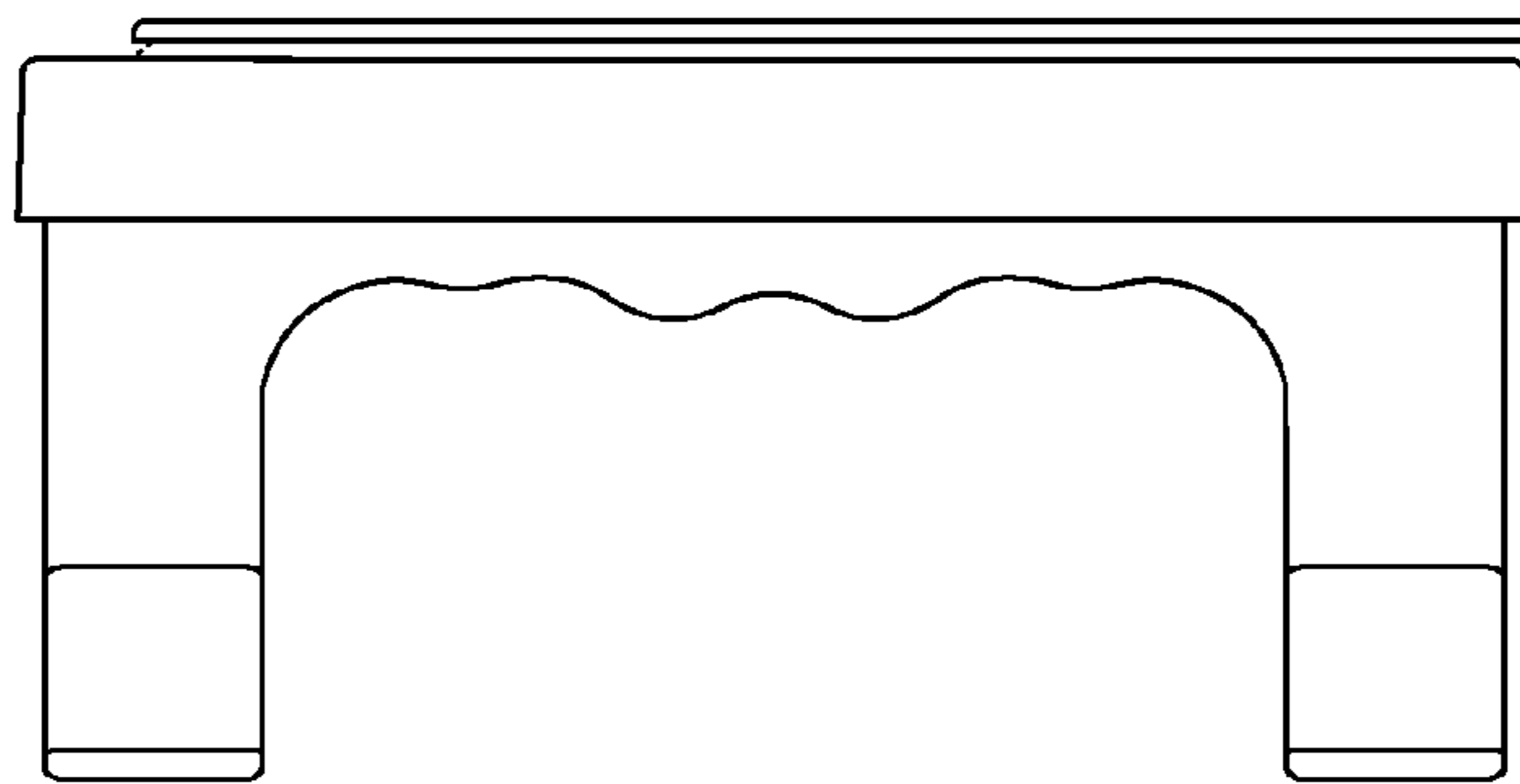


FIG. 4

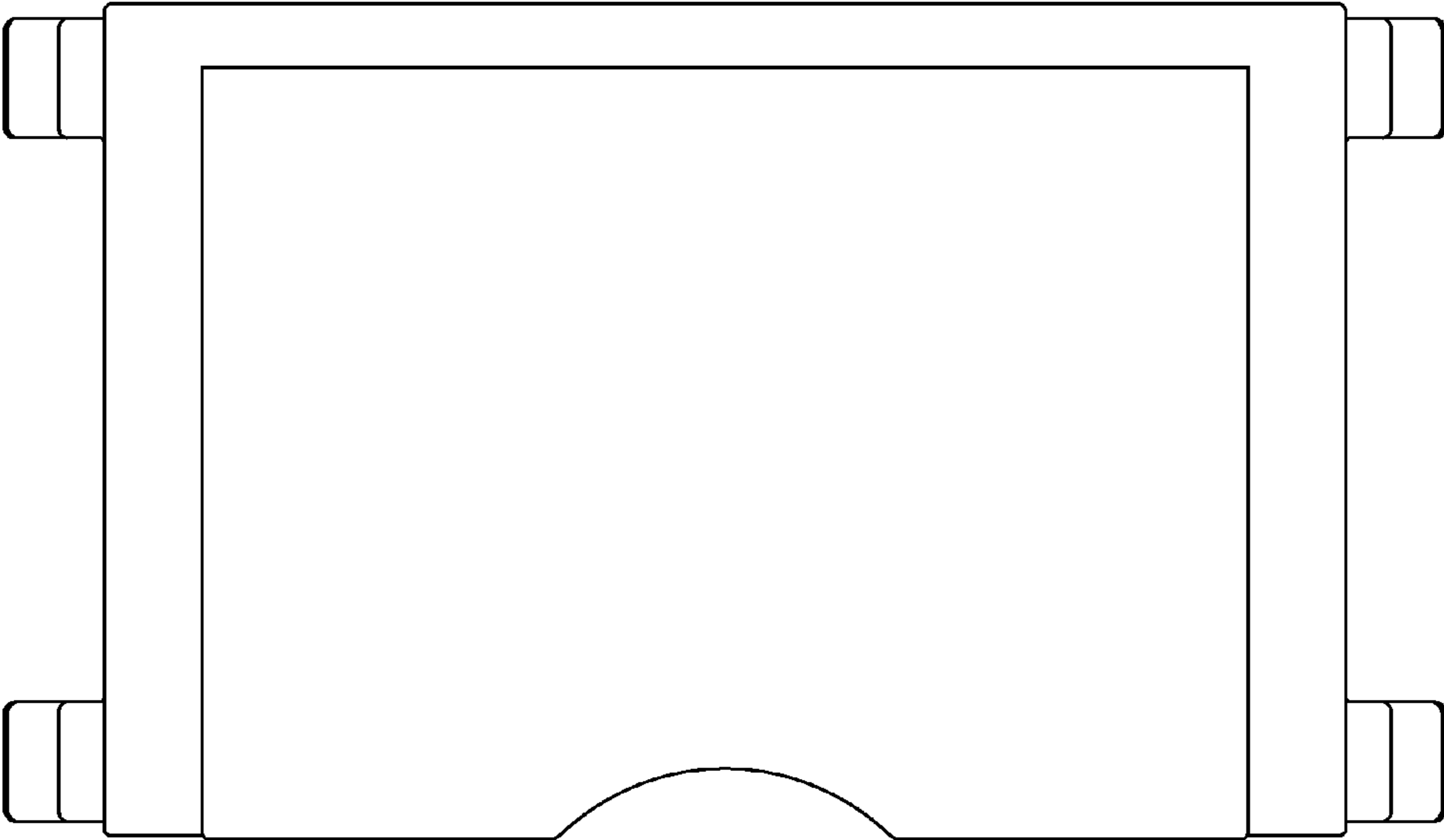


FIG. 5

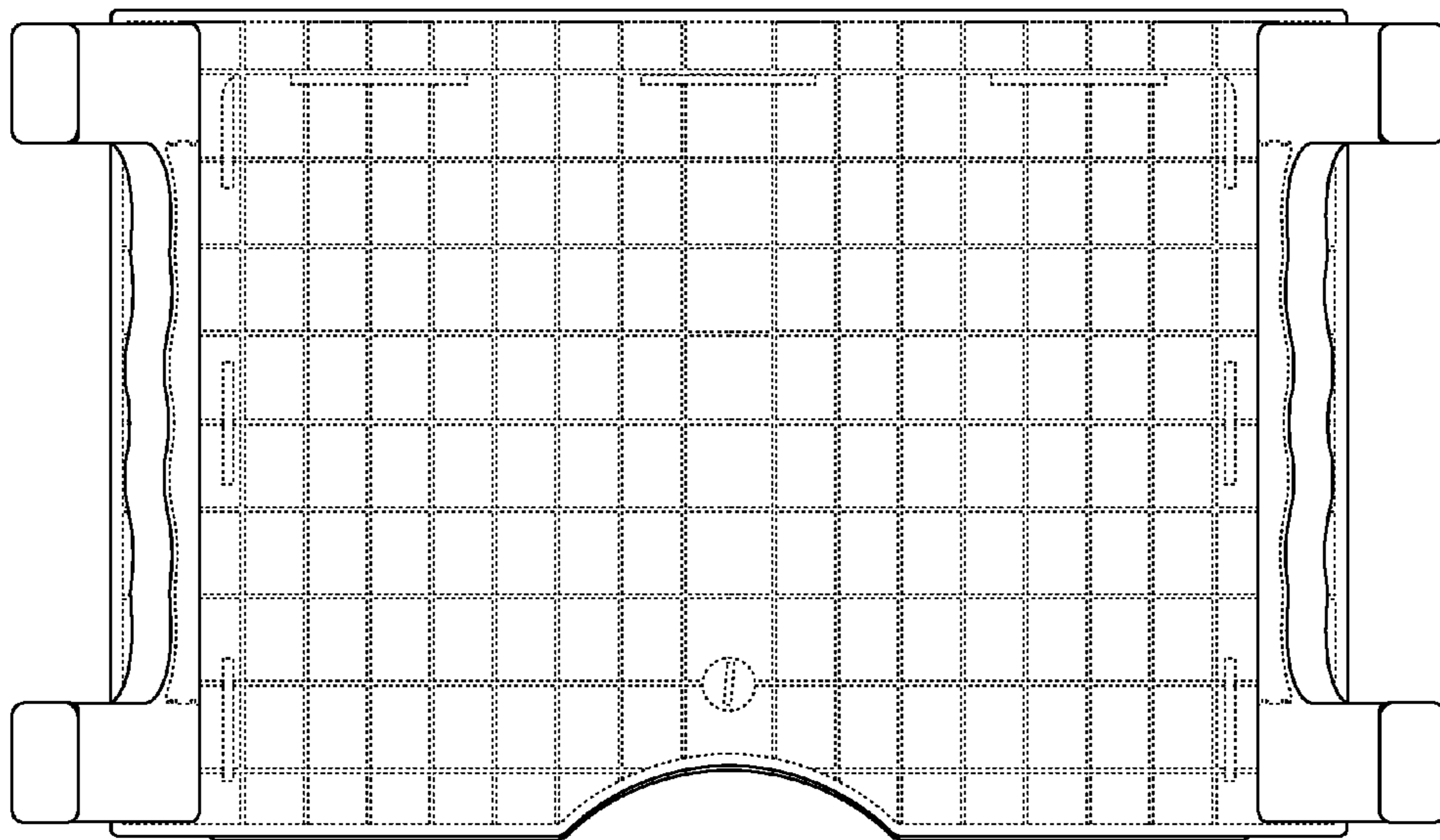


FIG. 6

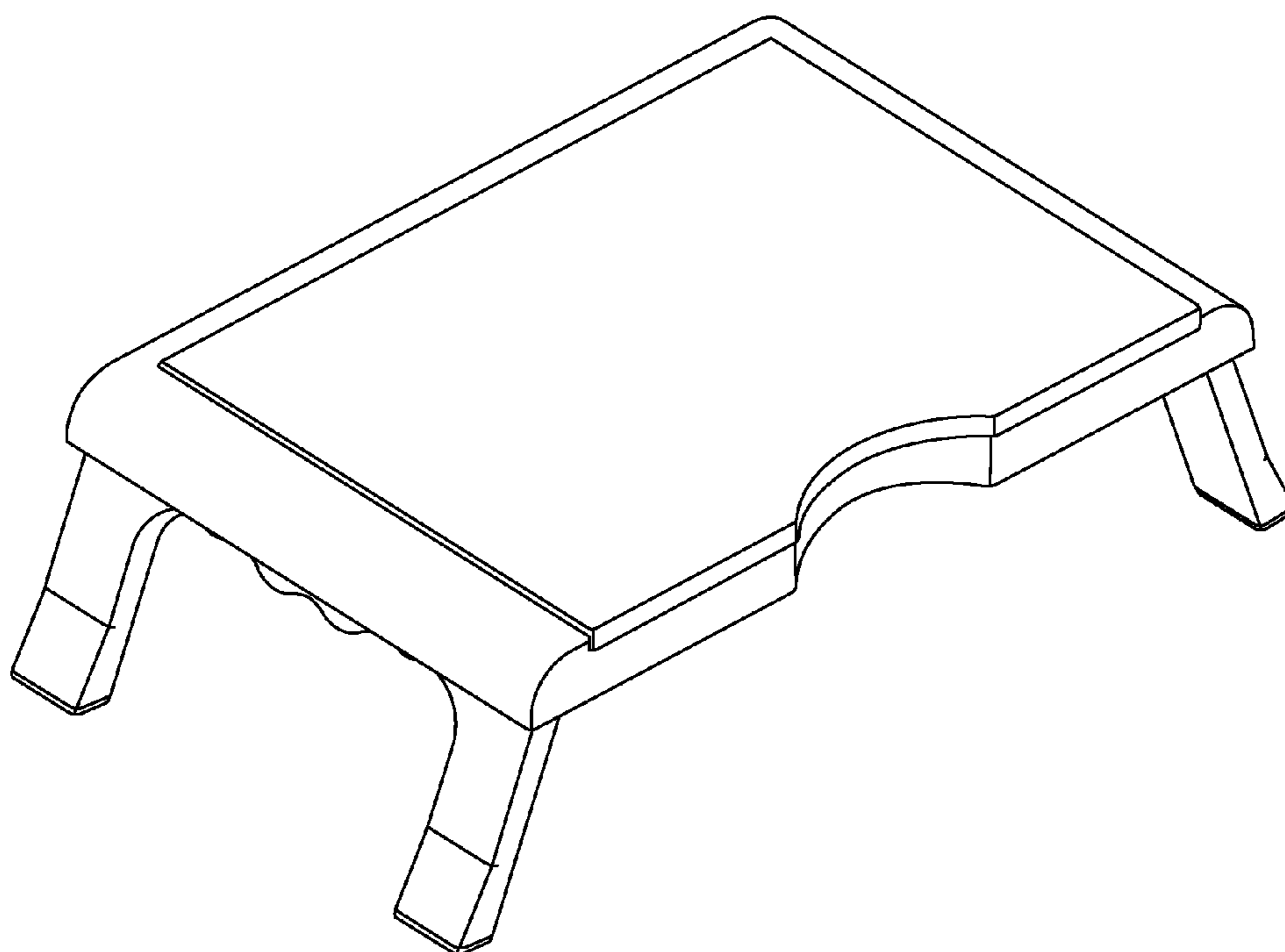


FIG. 7

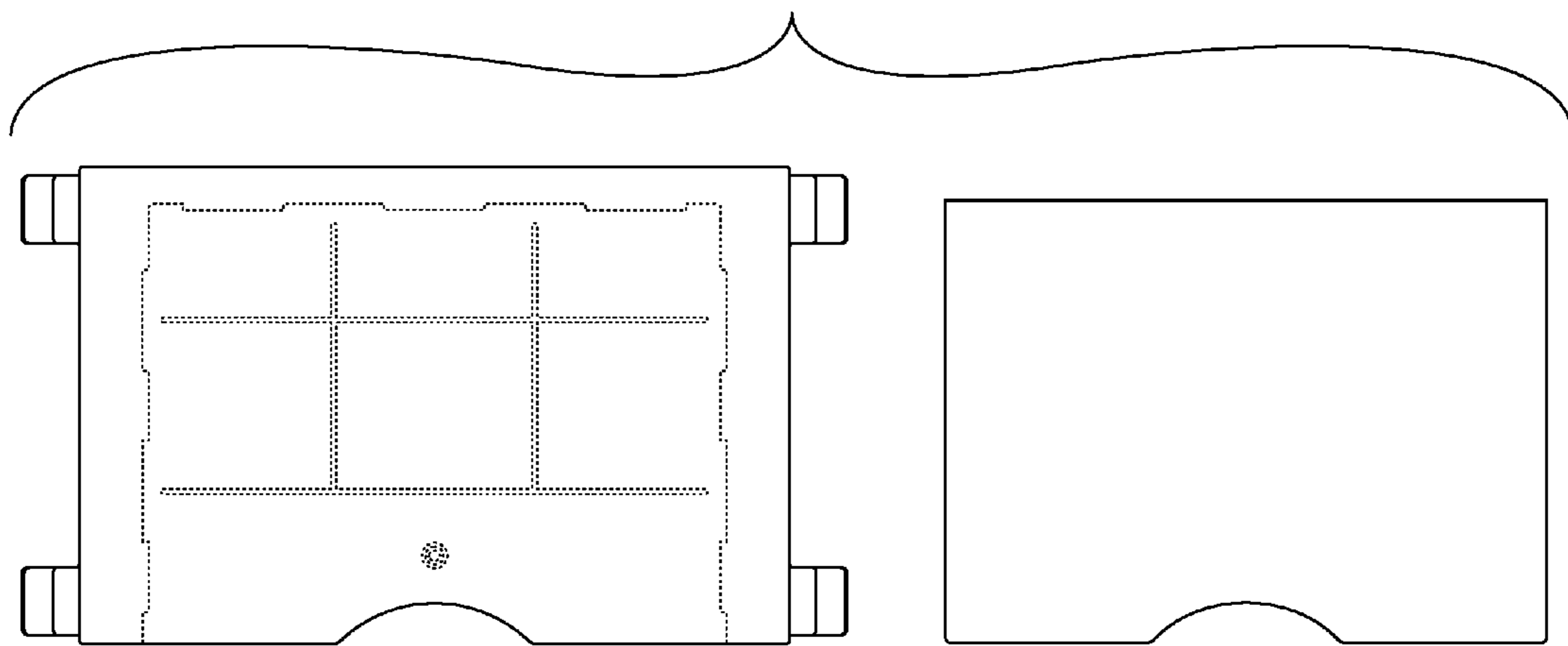


FIG. 8

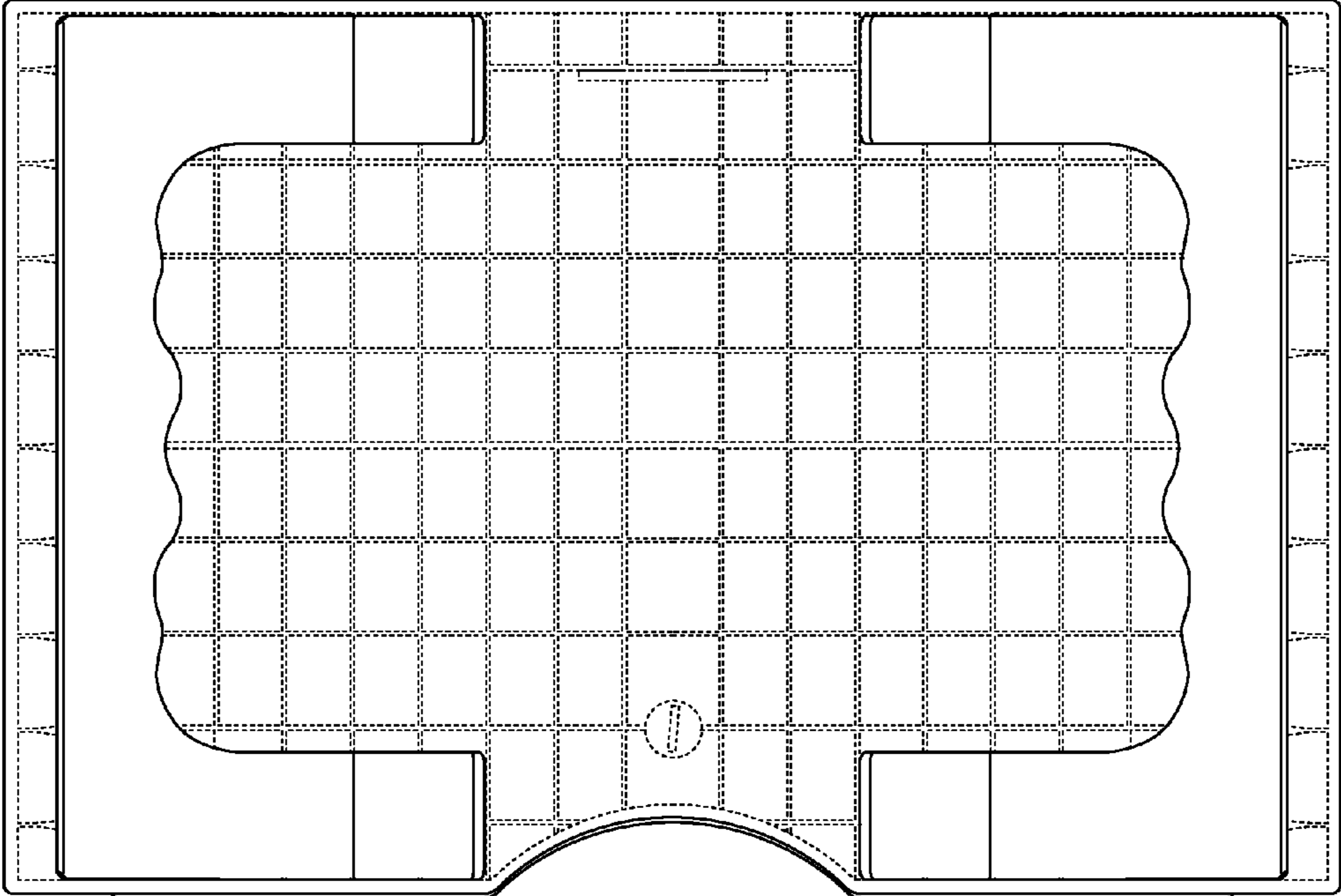


FIG. 9