



US00D675069S

(12) **United States Design Patent**
Junker et al.

(10) **Patent No.:** **US D675,069 S**
(45) **Date of Patent:** **** Jan. 29, 2013**

(54) **FOLDING BOX GRATER**

(75) Inventors: **Lars Junker**, Kowloon (HK); **Oliver Breit**, Discovery Bay (HK)

(73) Assignee: **DKB Household UK Limited**, Farnborough, Hampshire (GB)

(**) Term: **14 Years**

(21) Appl. No.: **29/422,105**

(22) Filed: **May 16, 2012**

(30) **Foreign Application Priority Data**

Nov. 17, 2011 (EM) 001949082-0004

(51) **LOC (9) Cl.** **07-04**

(52) **U.S. Cl.** **D7/678**

(58) **Field of Classification Search** D7/678,
D7/672-677, 679, 381-385, 412; 241/100,
241/168, 169, 169.1, 273.1-273.4, 30, 33,
241/36, 37.5; 99/495, 510; 30/278, 279.6,
30/280, 286, 287, 383, 389-391, 114
See application file for complete search history.

(56) **References Cited**

U.S. PATENT DOCUMENTS

D259,759 S * 7/1981 Williams D7/678
6,135,375 A * 10/2000 Kaposi et al. 241/95
D438,433 S * 3/2001 Kaposi et al. D7/678
D625,969 S * 10/2010 McGuyer et al. D7/678

* cited by examiner

Primary Examiner — Terry Wallace

(74) *Attorney, Agent, or Firm* — Harry K. Ahn; McCarter & English, LLP

(57) **CLAIM**

The ornamental design for a folding box grater, as shown and described herein.

DESCRIPTION

FIG. 1 is a top, front and right side perspective view of a folding box grater in its folded configuration according to an embodiment of the present invention;

FIG. 2 is a rear view of the folding box grater of FIG. 1 in the folded configuration;

FIG. 3 is a left side view of the folding box grater of FIG. 1 in the folded configuration;

FIG. 4 is a front view of the folding box grater of FIG. 1 in the folded configuration;

FIG. 5 is a right side view of the folding box grater of FIG. 1 in the folded configuration;

FIG. 6 is a top view of the folding box grater of FIG. 1 in the folded configuration;

FIG. 7 is a top and side perspective view of the folding box grater of FIG. 1 in its fully assembled configuration, in which the first of three grating surfaces is shown, according to an embodiment of the present invention;

FIG. 8 is a side view of the folding box grater of FIG. 7, in which the first grating surface and a part of the second grating surface are shown;

FIG. 9 is a side view of the folding box grater of FIG. 7, in which the first grating surface and a part of the third grating surface are shown;

FIG. 10 is a side view of the folding box grater of FIG. 7, in which the third grating surface and a part of the second grating surface are shown;

FIG. 11 is a side view of the folding box grater of FIG. 7, in which the second grating surface is shown; and,

FIG. 12 is a top view of the folding box grater of FIG. 7.

The broken lines shown in the drawing views are included for illustrative purposes only and are not intended to limit the claimed design.

1 Claim, 6 Drawing Sheets

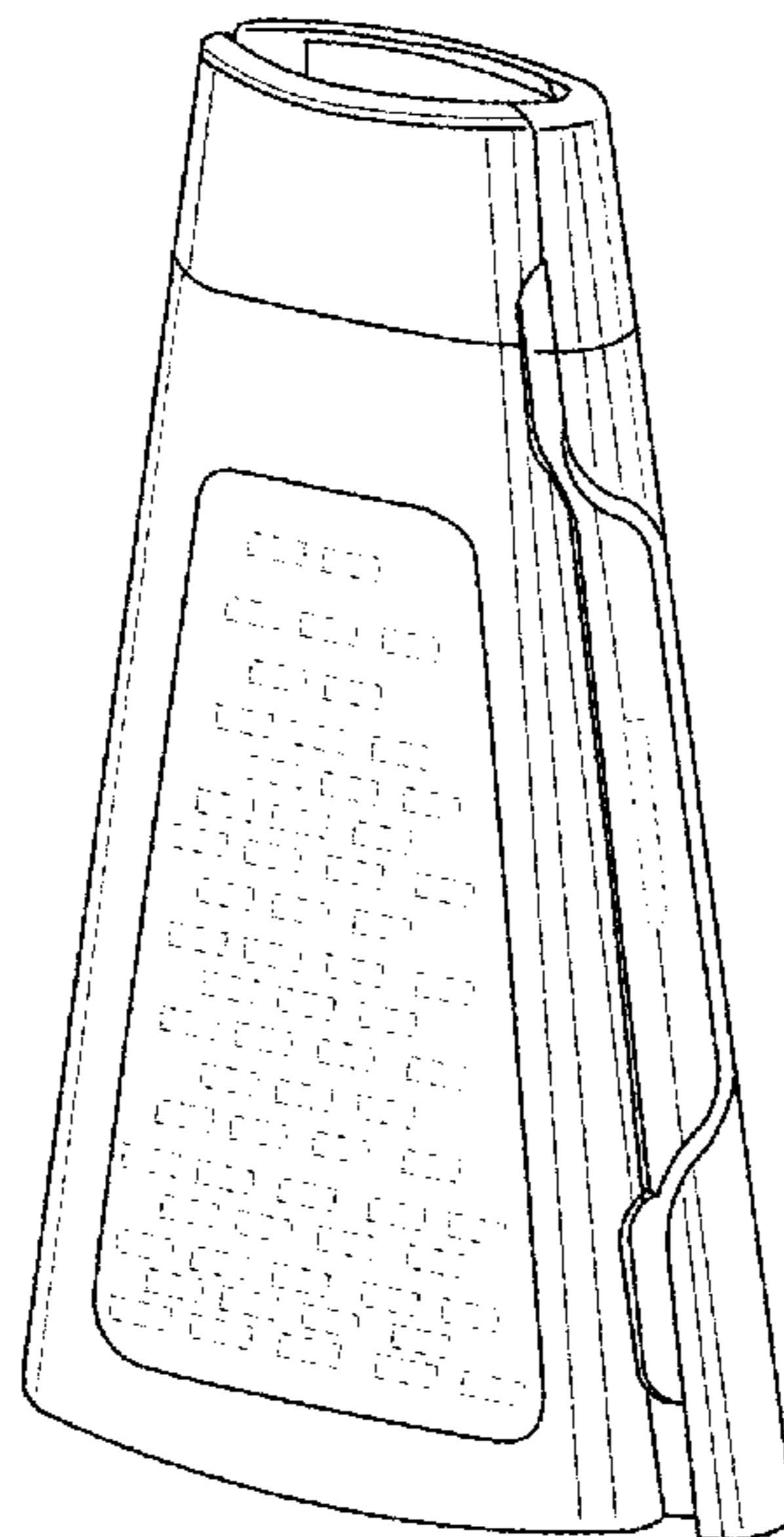


Figure 1

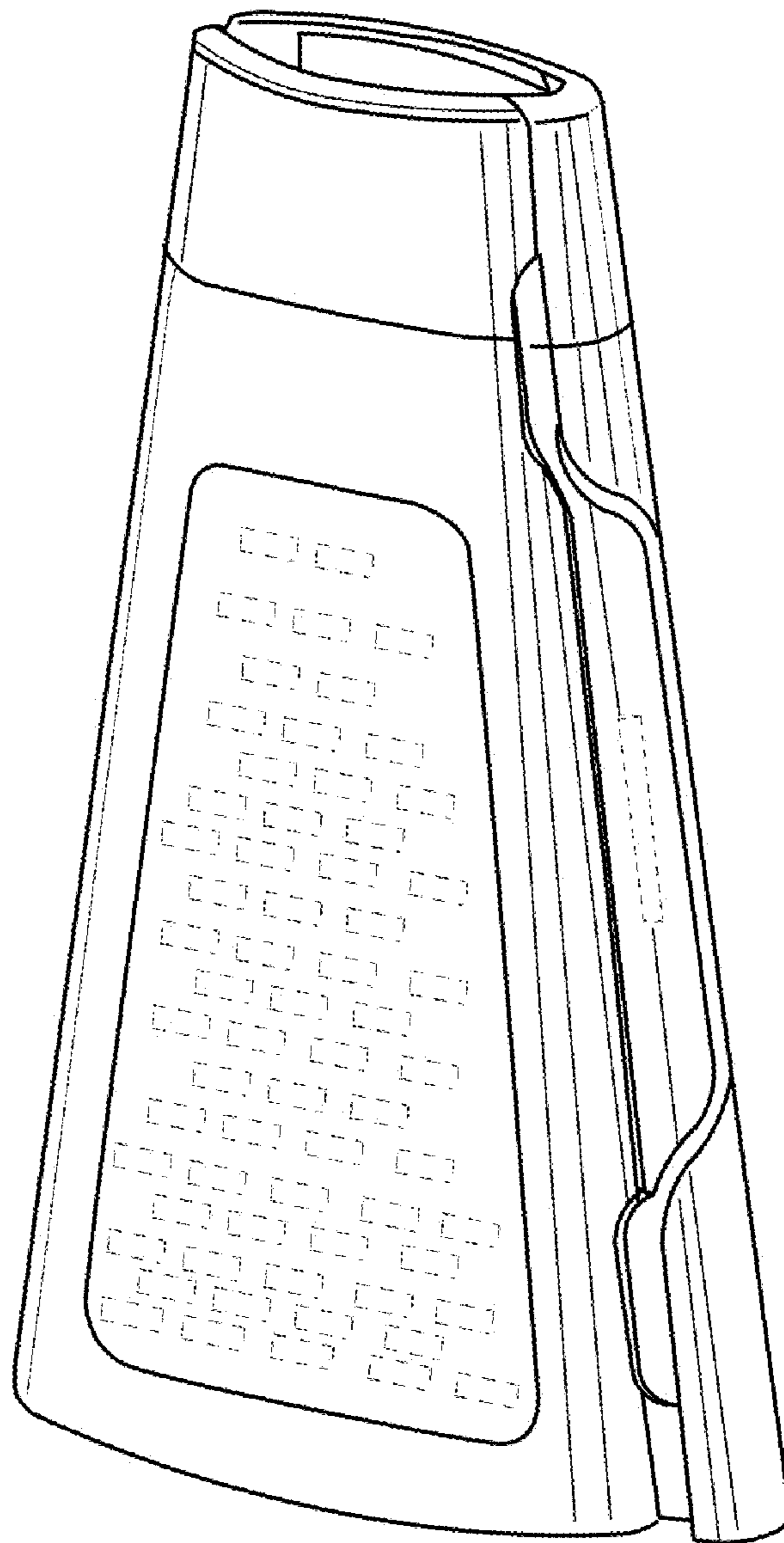


Figure 4

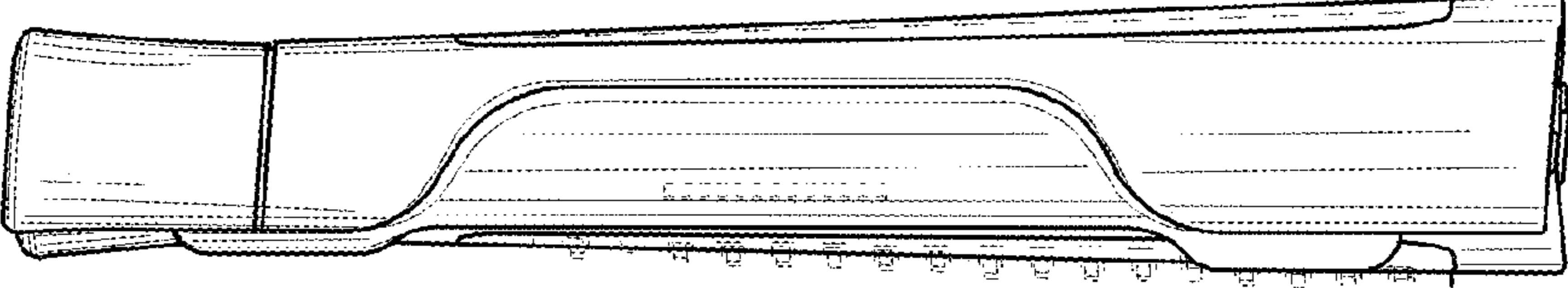


Figure 3

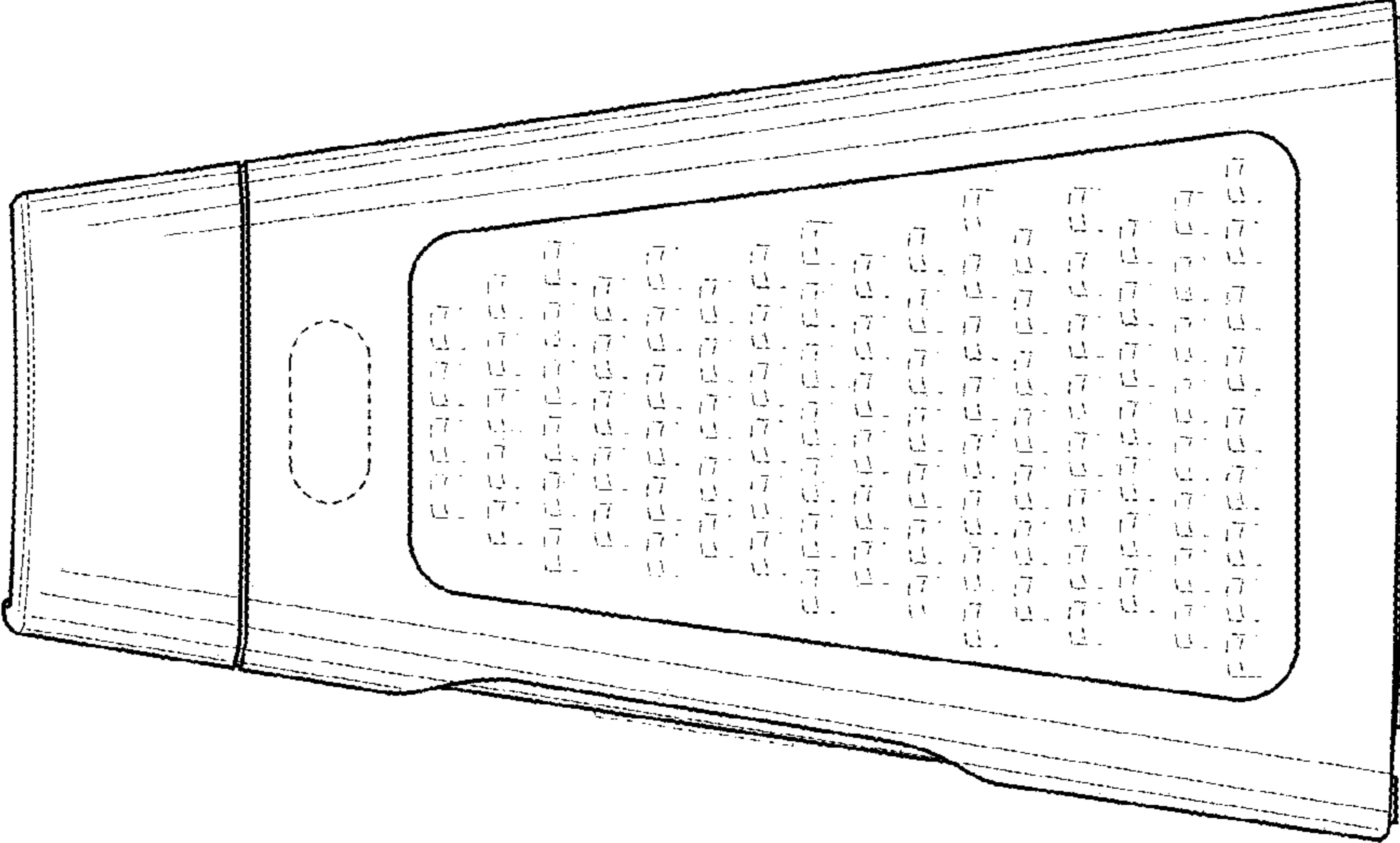


Figure 2

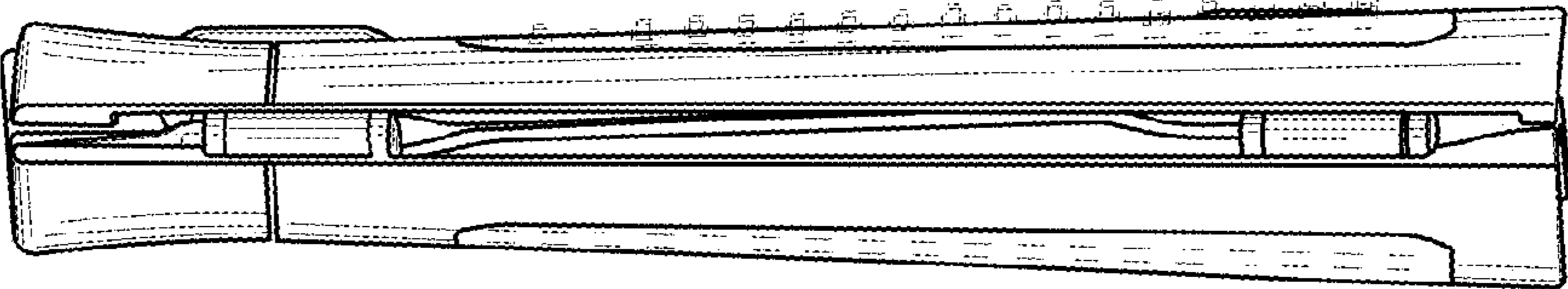


Figure 5

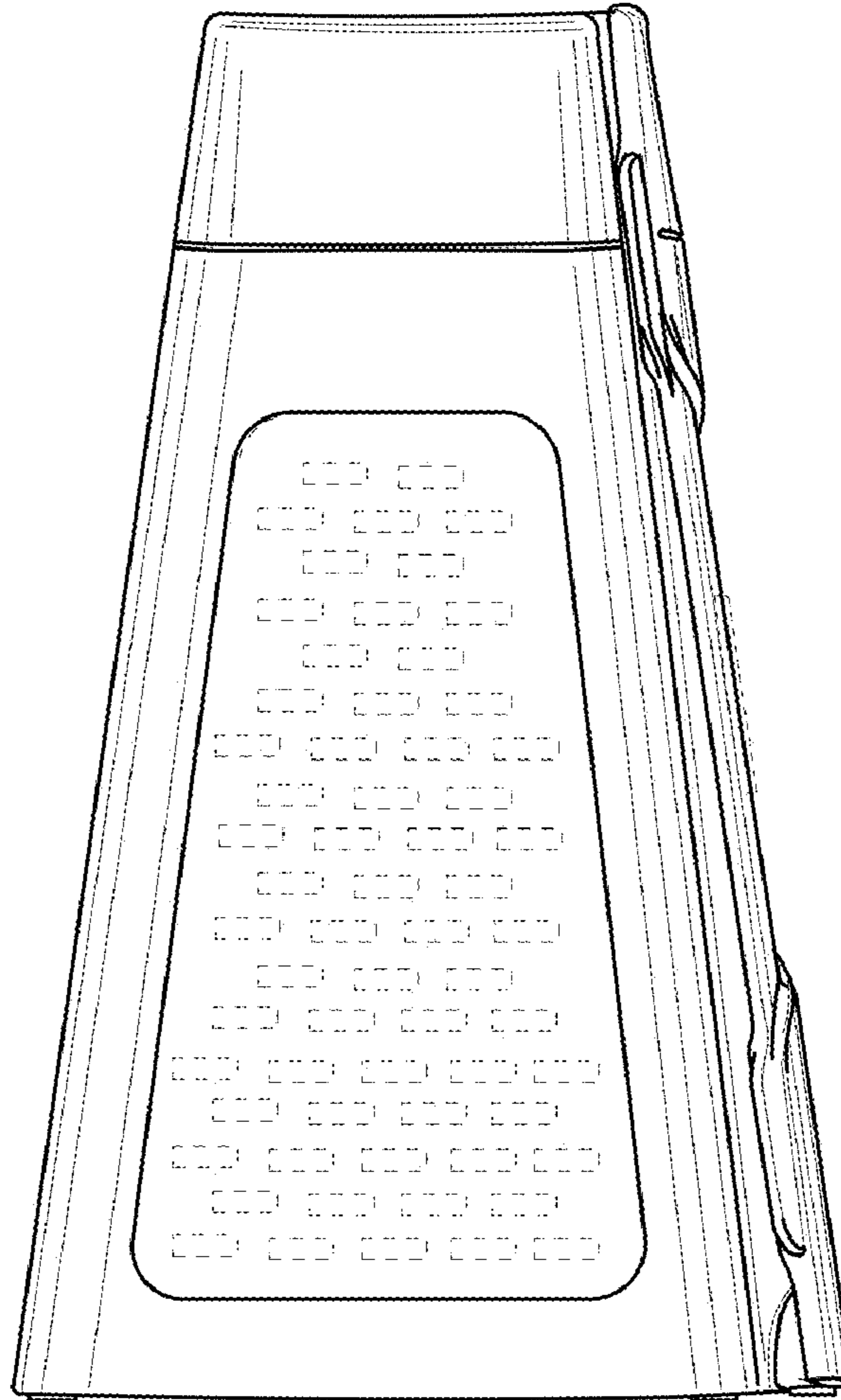


Figure 6

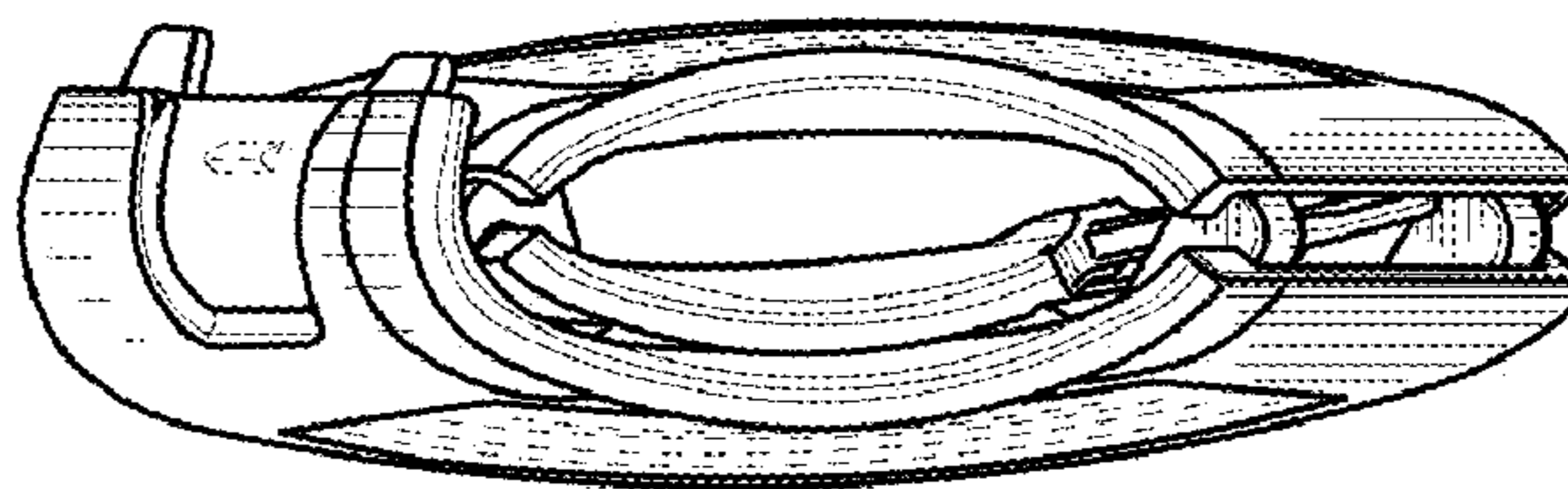


Figure 7

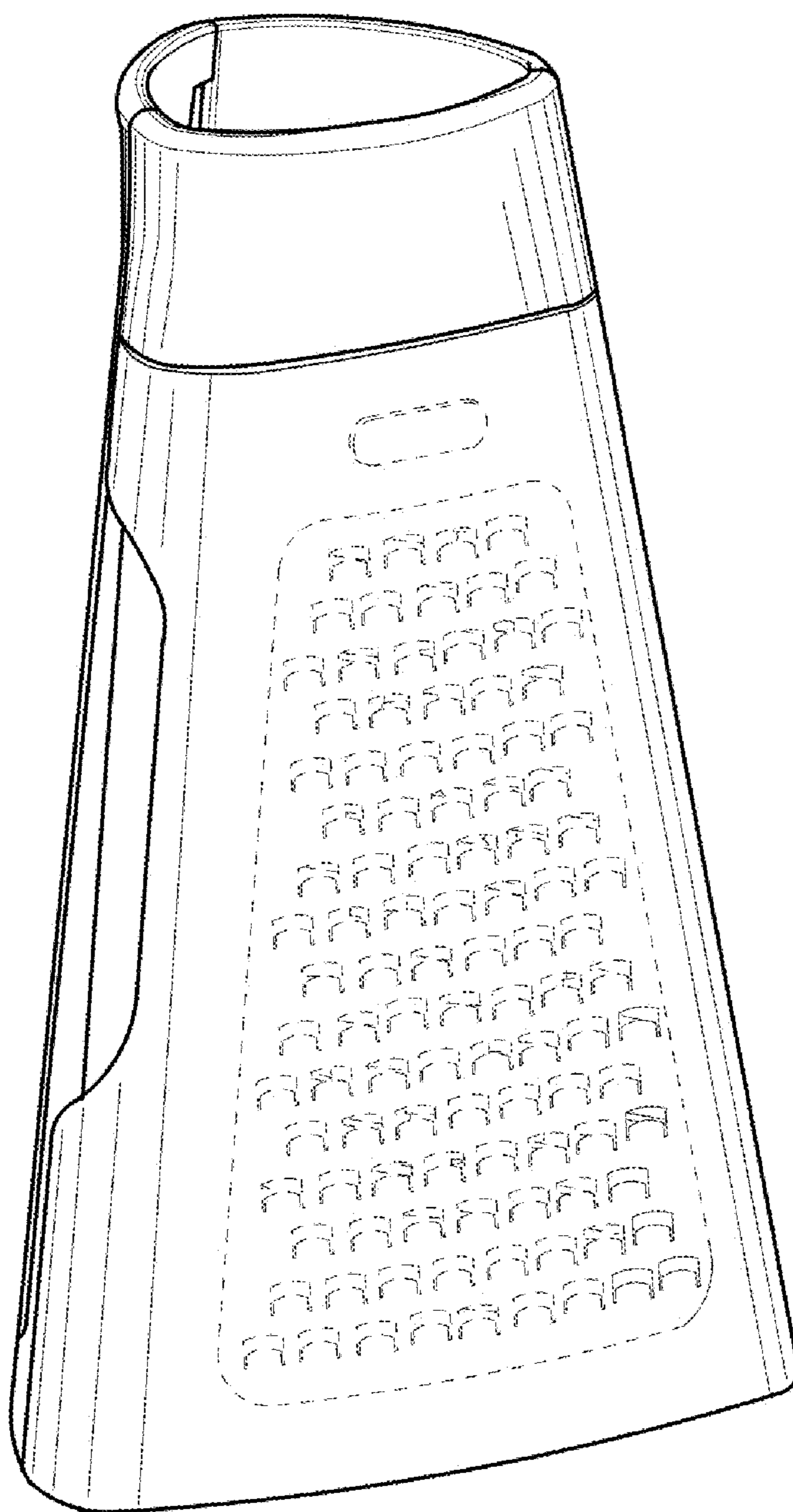


Figure 8

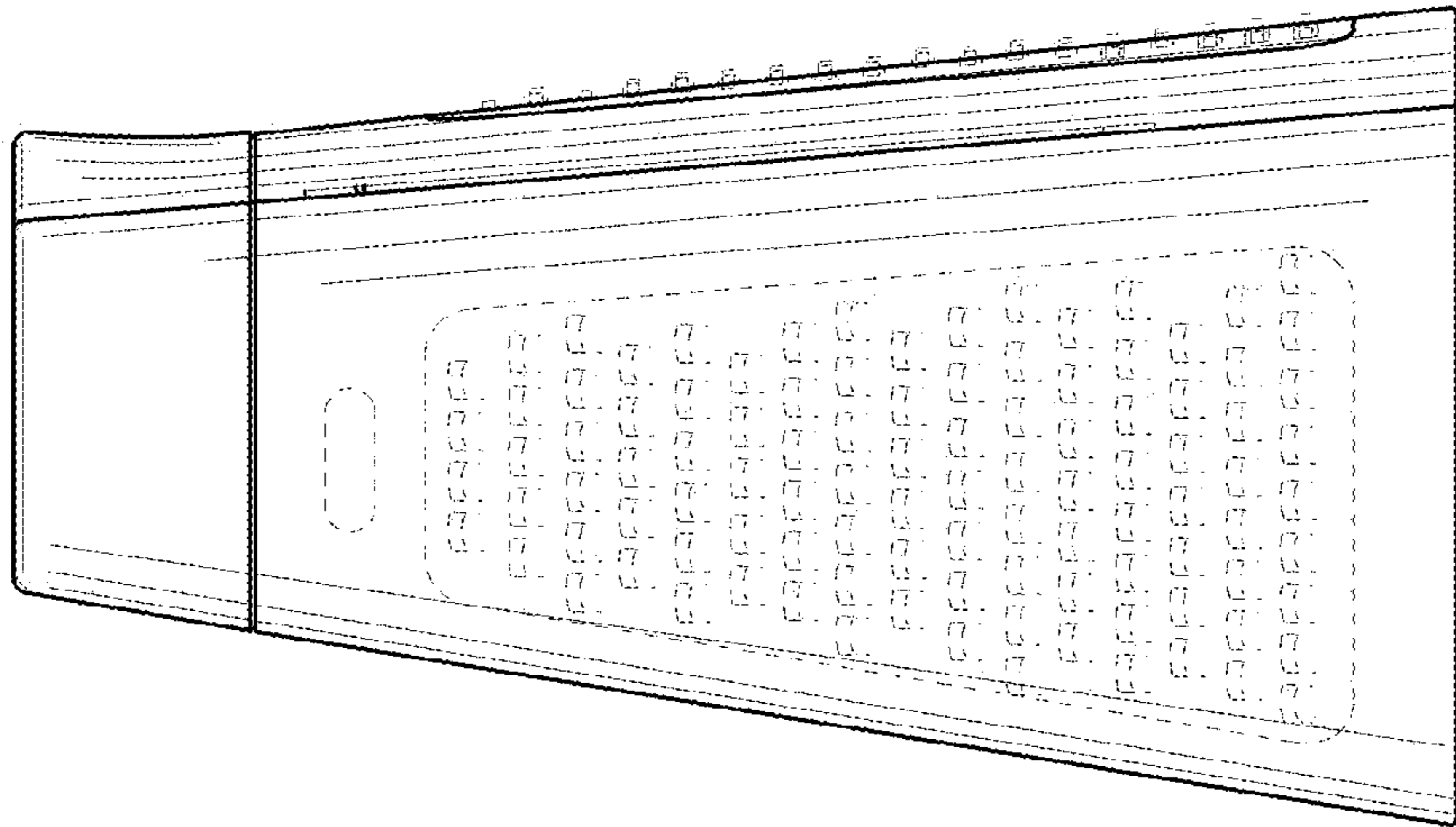


Figure 9

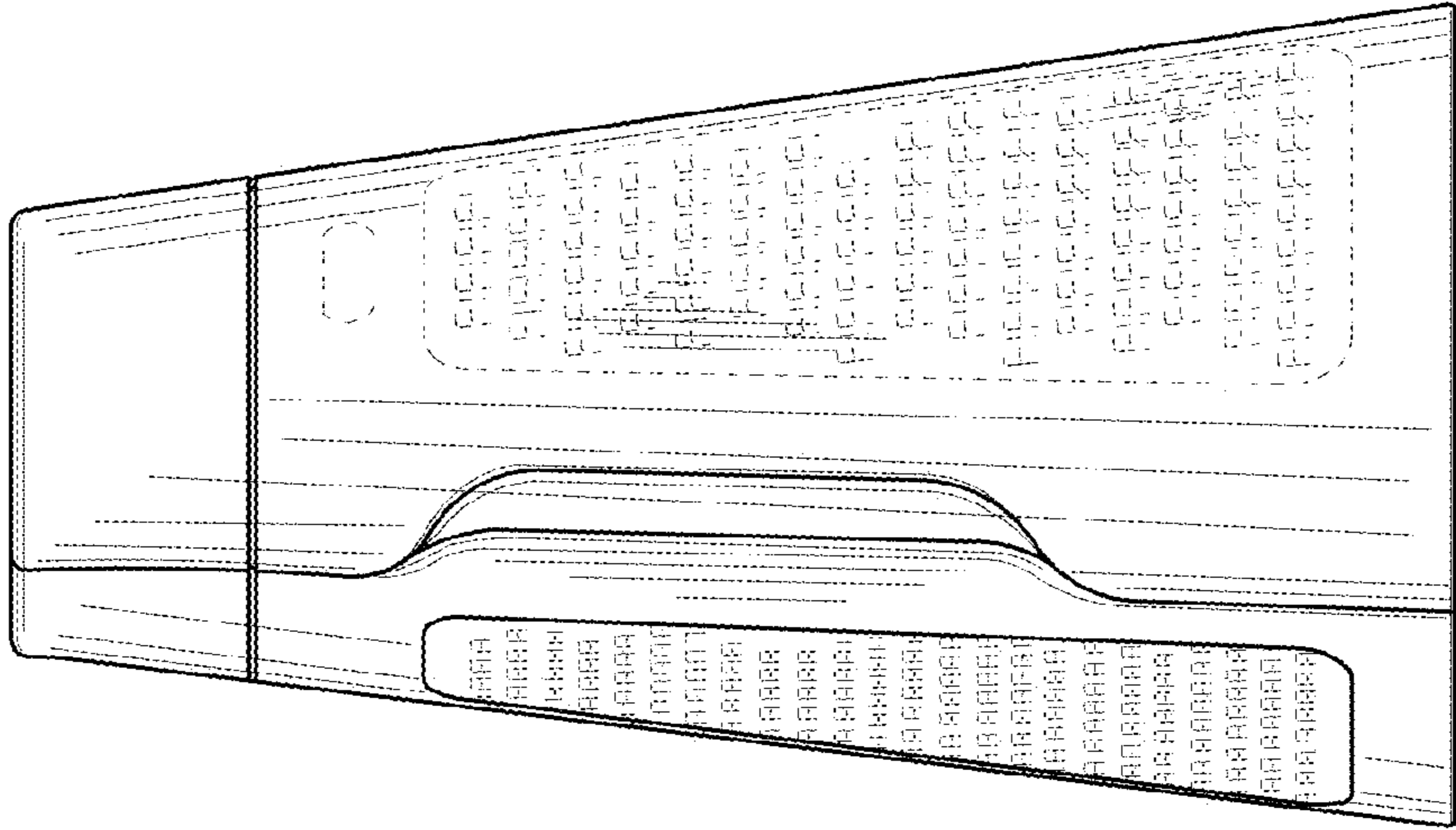


Figure 10

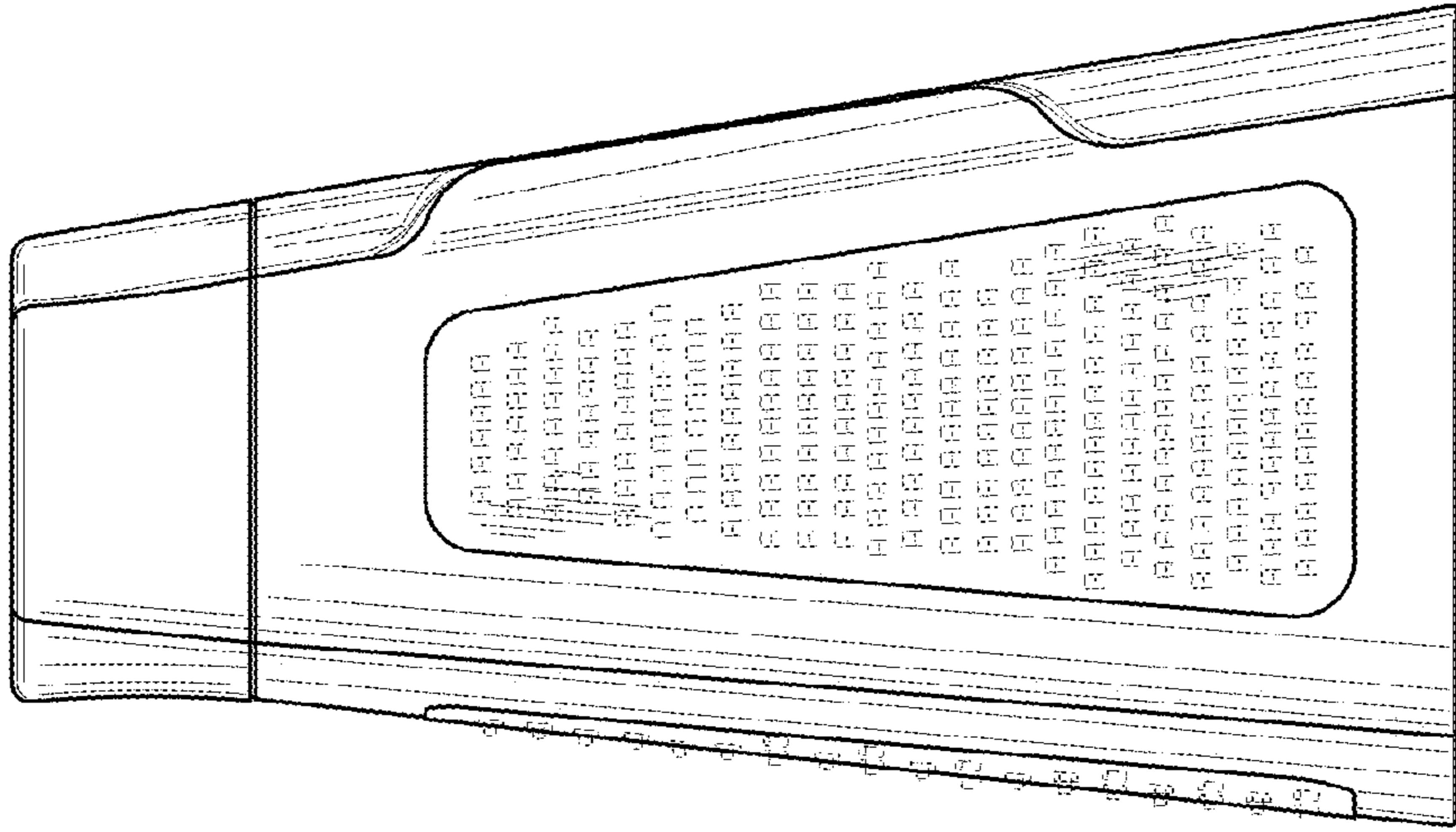


Figure 11

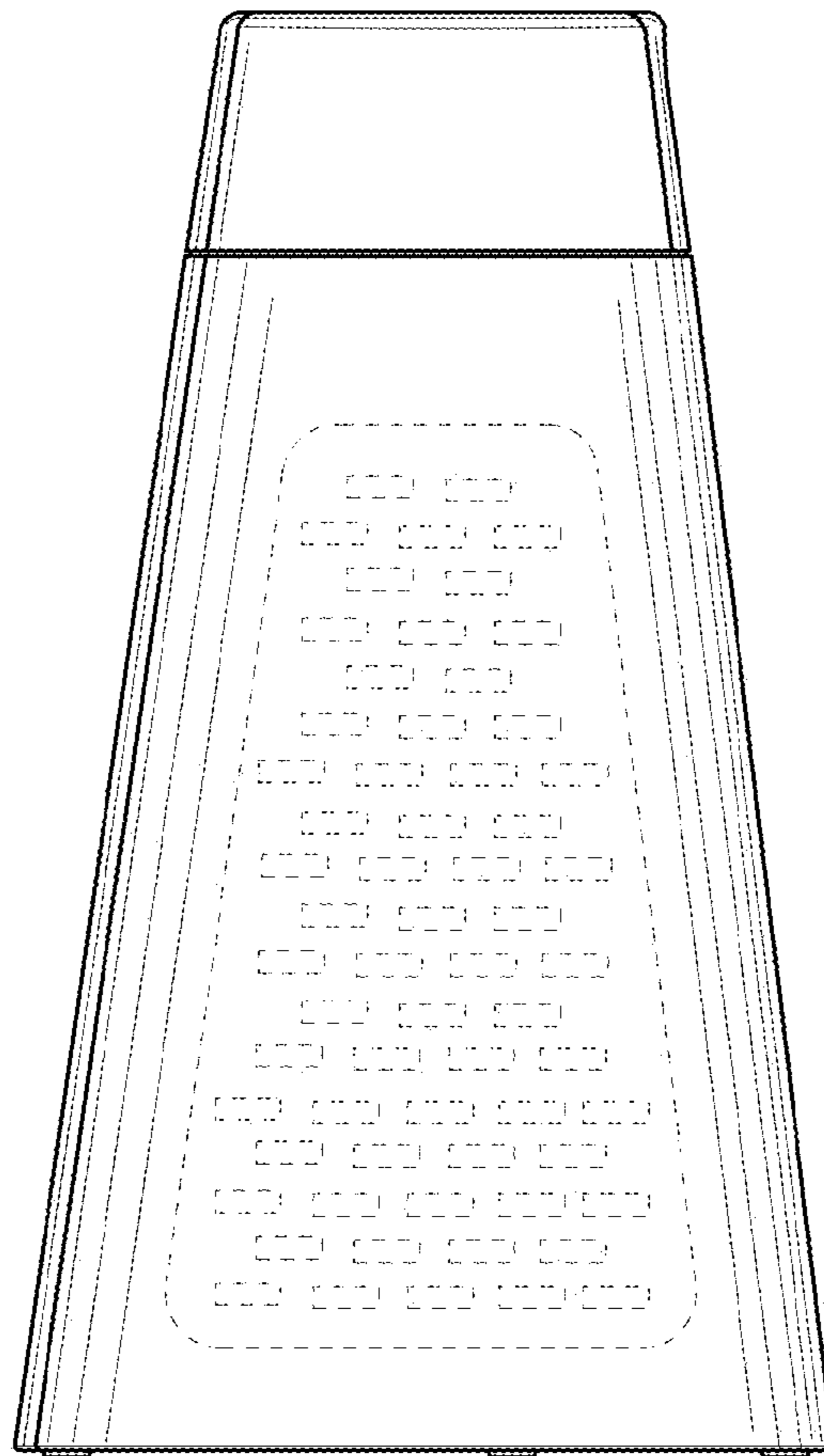


Figure 12

