



US00D675067S

(12) **United States Design Patent**  
**Del Solar et al.**

(10) **Patent No.:** **US D675,067 S**  
(45) **Date of Patent:** **\*\* Jan. 29, 2013**

(54) **CONTAINER**

(75) Inventors: **Maria Alexandra Del Solar**, Stamford, CT (US); **Diana Sierra**, North Bergen, NJ (US)

(73) Assignee: **Playtex Products, LLC**, Shelton, CT (US)

(\*\*) Term: **14 Years**

(21) Appl. No.: **29/389,731**

(22) Filed: **Apr. 15, 2011**

(51) **LOC (9) Cl.** ..... **07-07**

(52) **U.S. Cl.** ..... **D7/629**

(58) **Field of Classification Search** ..... D7/629,  
D7/510, 511, 536, 538-542; 220/203.18,  
220/303, 714, 731, 736, 212, 229, 375, 837;  
D9/516, 530, 529

See application file for complete search history.

(56) **References Cited**

**U.S. PATENT DOCUMENTS**

|           |     |         |                   |        |
|-----------|-----|---------|-------------------|--------|
| 4,127,211 | A   | 11/1978 | Zerbey            |        |
| 4,884,717 | A   | 12/1989 | Bussard et al.    |        |
| 4,984,707 | A   | 1/1991  | Fierthaler        |        |
| 5,518,134 | A   | 5/1996  | Liu               |        |
| D460,322  | S * | 7/2002  | Orr et al.        | D7/510 |
| 6,656,514 | B1  | 12/2003 | Tubbs             |        |
| D498,389  | S * | 11/2004 | Tollman           | D7/538 |
| D579,722  | S * | 11/2008 | Sakulsacha et al. | D7/510 |
| D616,249  | S * | 5/2010  | Galinski          | D7/548 |
| 7,766,166 | B2  | 8/2010  | Cognome Dotta     |        |

|              |      |         |                   |         |
|--------------|------|---------|-------------------|---------|
| 2004/0112896 | A1   | 6/2004  | Lewis             |         |
| 2005/0252923 | A1 * | 11/2005 | Woolf             | 220/731 |
| 2005/0263523 | A1 * | 12/2005 | Moss              | 220/229 |
| 2009/0242562 | A1   | 10/2009 | Valderrama et al. |         |
| 2010/0294764 | A1   | 11/2010 | Kemper et al.     |         |

**OTHER PUBLICATIONS**

Munchkin Snack Catcher—first use in Commerce Sep. 30, 2006.  
International Search Report and Written Opinion Dated Jul. 5, 2012  
From Corresponding International Application No. PCT/US12/  
33568.

\* cited by examiner

*Primary Examiner* — Terry Wallace

(74) *Attorney, Agent, or Firm* — Ohlandt, Greeley, Ruggiero & Perle, L.L.P.

(57) **CLAIM**

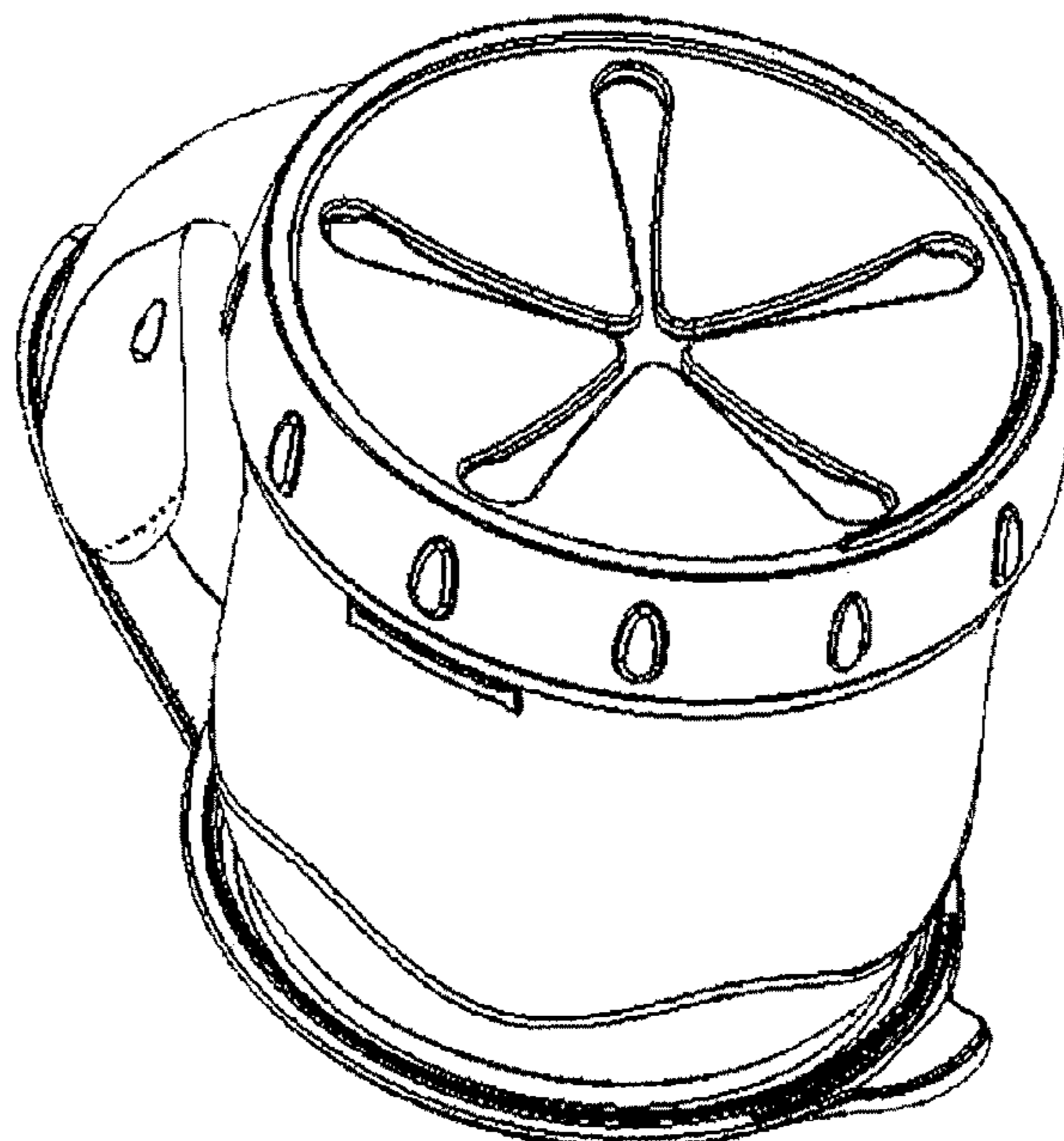
We claim the ornamental design for the container, as shown and described.

**DESCRIPTION**

FIG. 1 is a perspective view of the container according to an exemplary embodiment of the present disclosure; FIG. 2 is a front view of the container of FIG. 1; FIG. 3 is a back view of the container of FIG. 1; FIG. 4 is a left-side view of the container of FIG. 1; FIG. 5 is a right-side view of the container of FIG. 1; FIG. 6 is a top view of the container of FIG. 1; and, FIG. 7 is a bottom view of the container of FIG. 1.

The broken lines in the drawings illustrating environmental structure or boundaries that form no part of the claimed design.

**1 Claim, 7 Drawing Sheets**



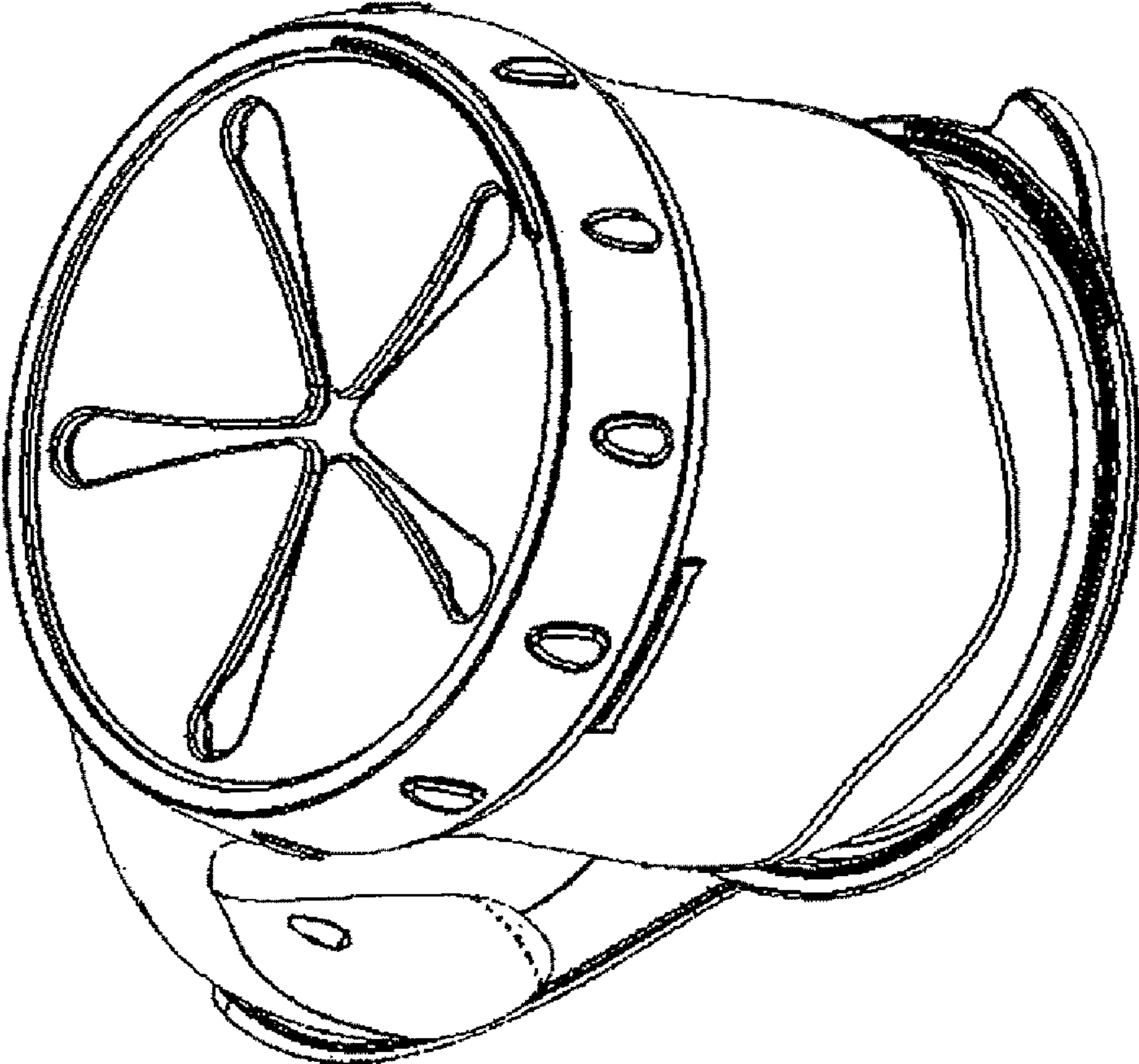


FIG. 1

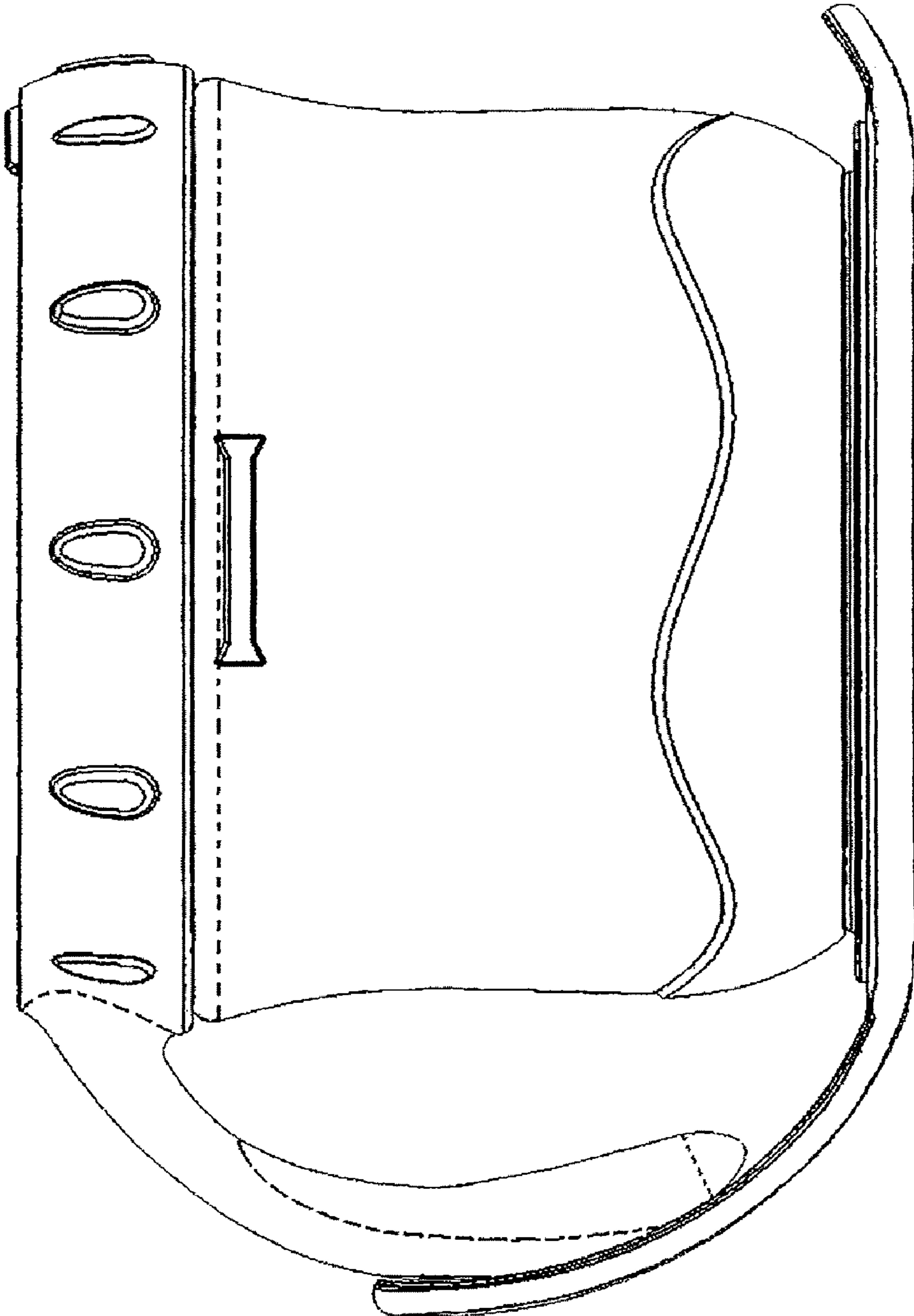


FIG. 2

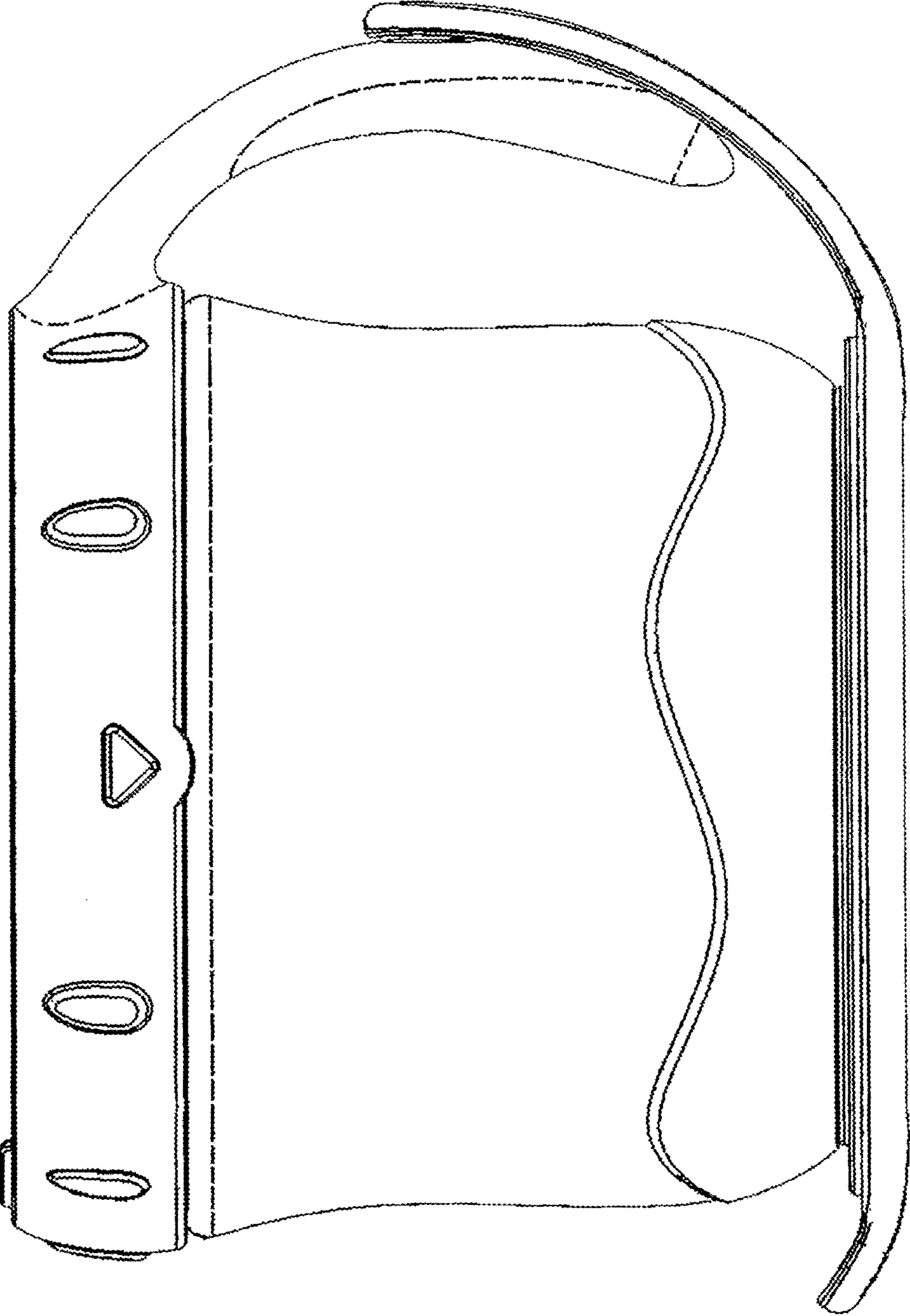


FIG. 3



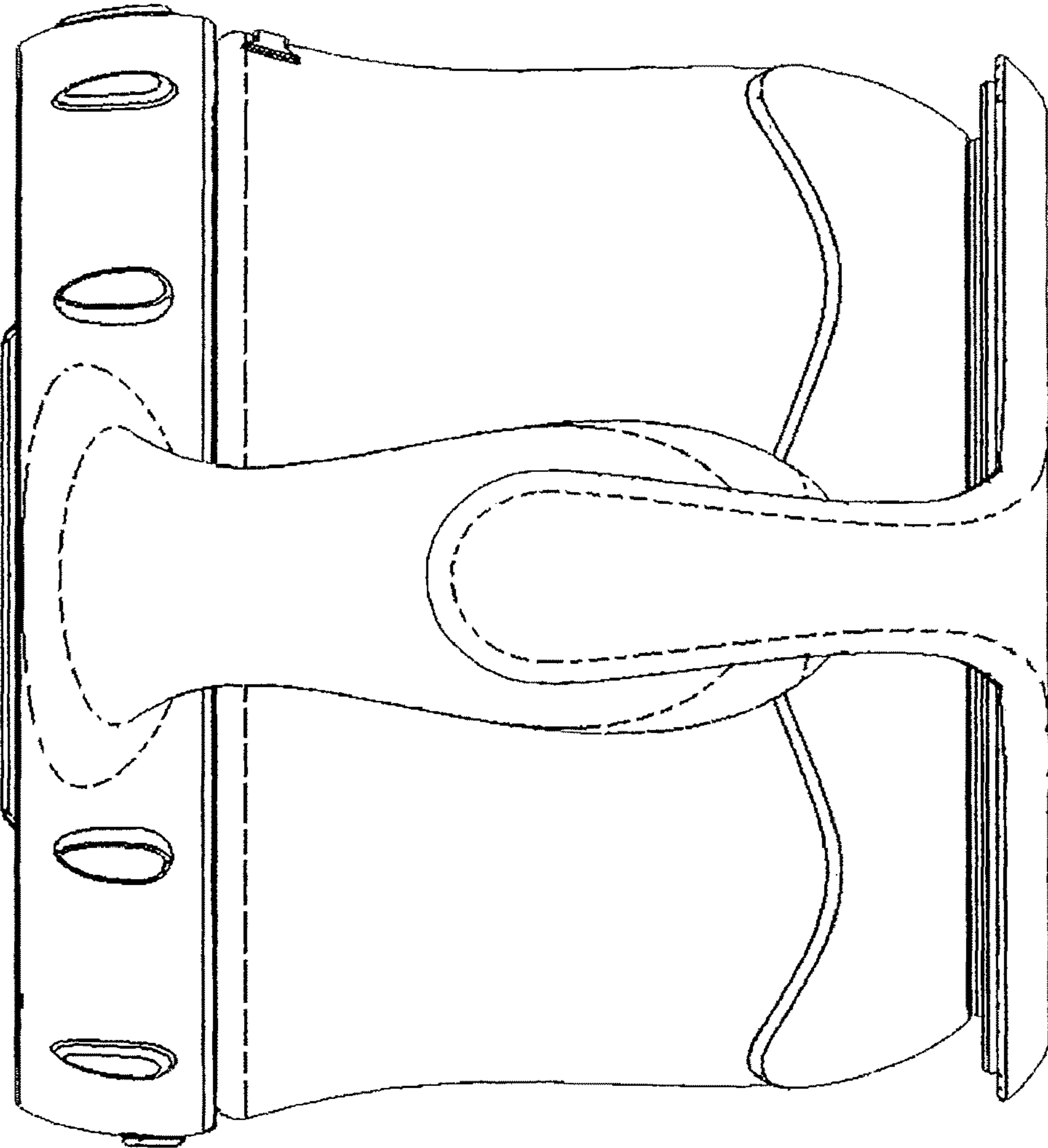


FIG. 4

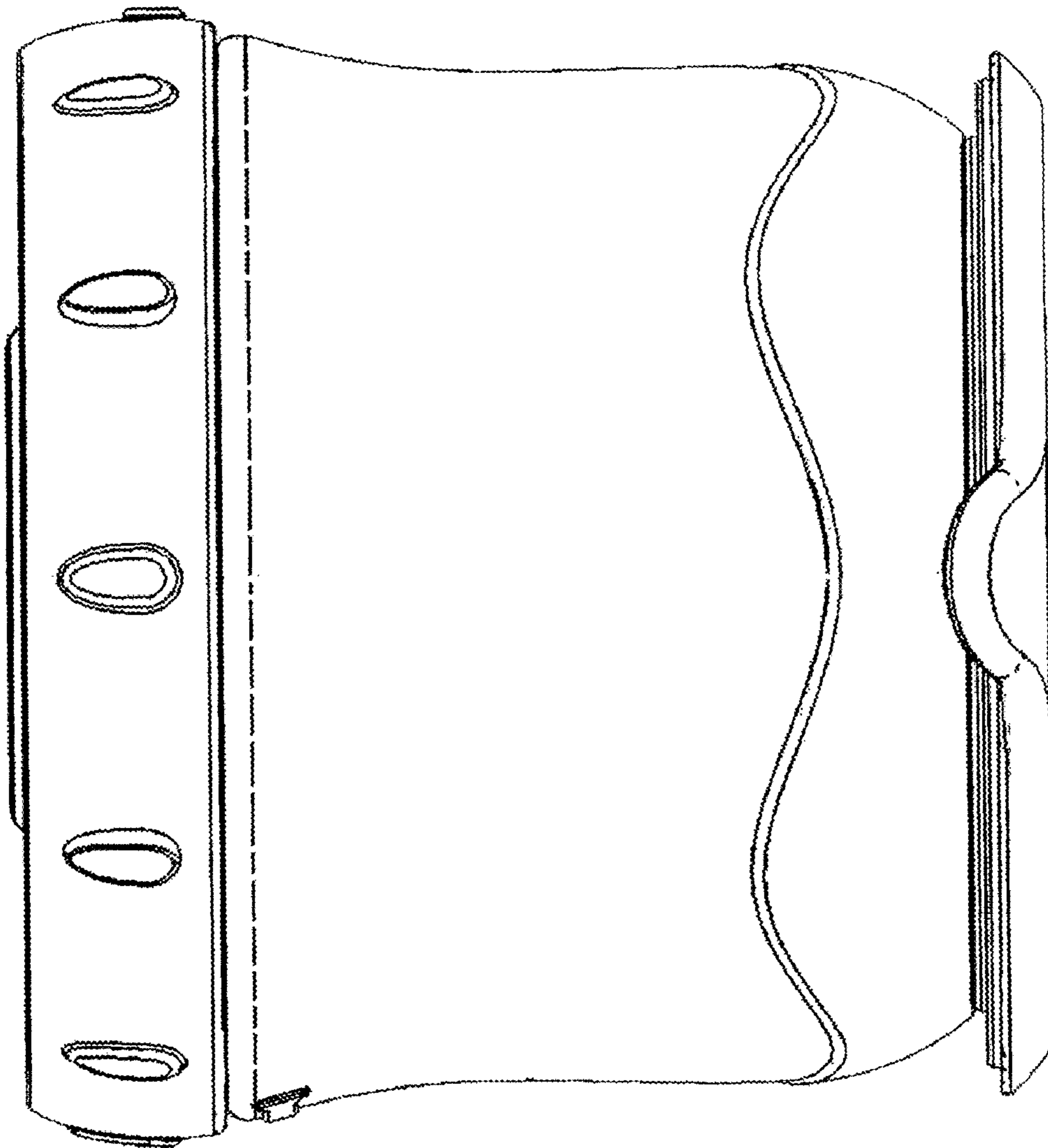


FIG. 5

FIG. 6

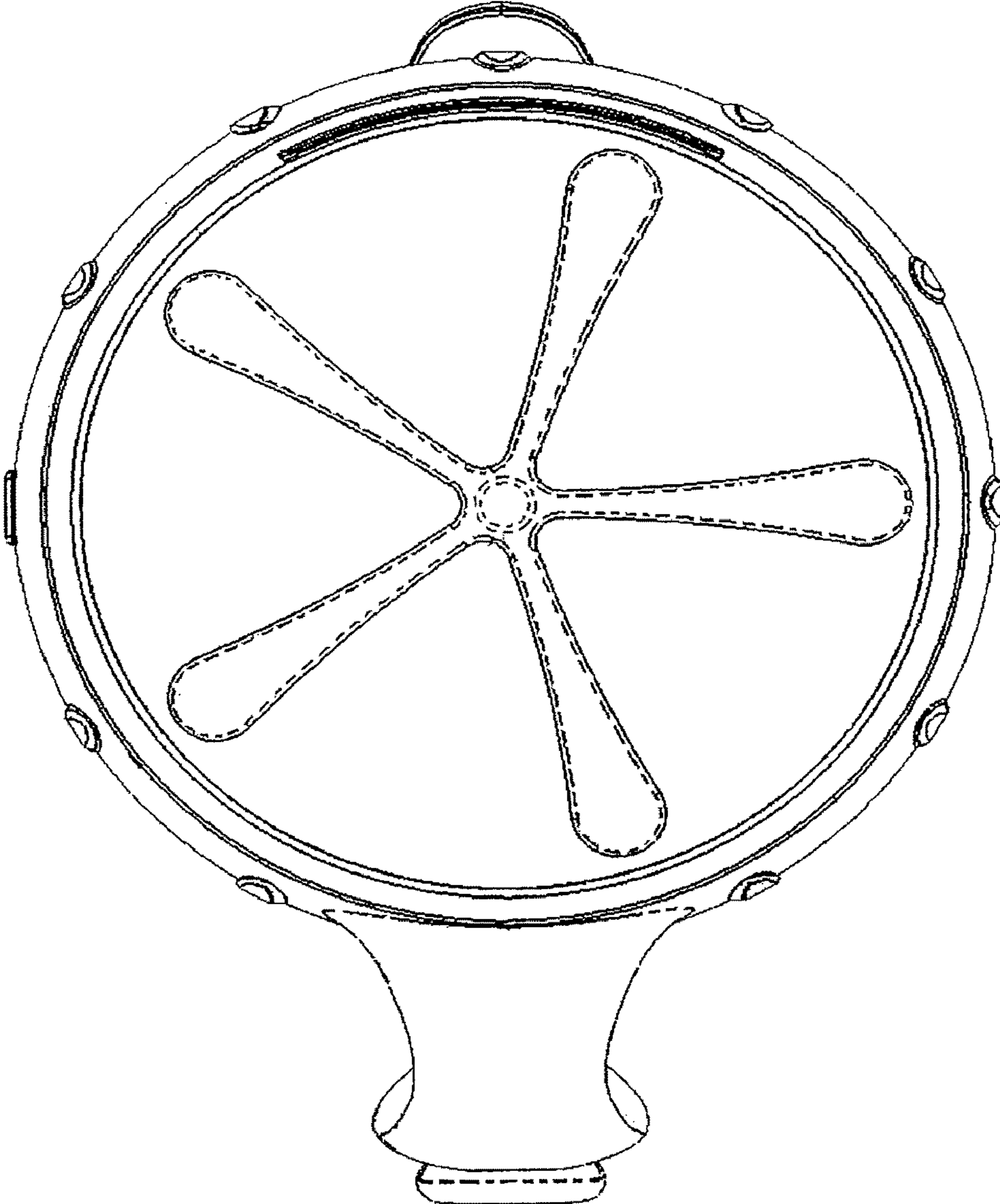


FIG. 7

