



US00D675066S

(12) **United States Design Patent**
Conlin et al.

(10) **Patent No.:** **US D675,066 S**
(45) **Date of Patent:** **** Jan. 29, 2013**

(54) **BEVERAGE CAN INSULATOR**

(76) Inventors: **Ryan Joseph Conlin**, Easton, PA (US);
Patrick Joseph Vrabel, Bethlehem, PA
(US); **Austin Benton**, Philadelphia, PA
(US)

(**) Term: **14 Years**

(21) Appl. No.: **29/397,918**

(22) Filed: **Jul. 22, 2011**

(51) **LOC (9) Cl.** **07-01**

(52) **U.S. Cl.** **D7/608**

(58) **Field of Classification Search** D7/619.1,
D7/605, 608, 607, 624.2, 601, 602, 624.1,
D7/606, 510, 511; D9/772, 444, 455; D34/4;
62/457.4; 248/310, 311.2; 220/930, 739,
220/257.2, 258.2; 215/395, 396

See application file for complete search history.

(56) **References Cited**

U.S. PATENT DOCUMENTS

D271,854	S	*	12/1983	Berry	D9/772
D301,821	S	*	6/1989	Bartolo	D7/608
D313,026	S	*	12/1990	Evans	D15/83
5,108,003	A	*	4/1992	Granofsky	220/257.2
5,139,163	A	*	8/1992	Diaz	220/258.2
D347,973	S	*	6/1994	McBride	D7/619.2
D349,218	S	*	8/1994	Evans	D7/628
D360,340	S	*	7/1995	Hitch et al.	D7/604
5,467,891	A	*	11/1995	Perry	220/739
D371,075	S	*	6/1996	Stonehouse	D9/772
D396,916	S	*	8/1998	Ochs, Sr.	D34/4
D404,974	S	*	2/1999	Kristinik	D7/608
D421,719	S	*	3/2000	Wells et al.	D9/438
6,123,220	A	*	9/2000	Williams	220/737

D441,172	S	*	4/2001	Snyder	D99/37
6,604,649	B1	*	8/2003	Campi	220/739
D519,313	S	*	4/2006	Ringuet	D7/313
D519,788	S	*	5/2006	Ringuet	D7/606
D522,880	S	*	6/2006	Fuller et al.	D9/729
D526,308	S	*	8/2006	Kasden	D14/207
D617,969	S	*	6/2010	Sung	D34/4
D640,141	S	*	6/2011	Chapin	D9/772
D640,852	S	*	6/2011	Warlick et al.	D34/4
D650,234	S	*	12/2011	Tseng	D7/510
D651,853	S	*	1/2012	Eyal	D7/510
D666,873	S	*	9/2012	Gluck	D7/510

* cited by examiner

Primary Examiner — Jeffrey D Asch

(74) *Attorney, Agent, or Firm* — QuickPatents, Inc.; Kevin Prince

(57) **CLAIM**

We claim the ornamental design for a beverage can insulator, as shown and described.

DESCRIPTION

FIG. 1 is a perspective view of a beverage can insulator, showing our new design;

FIG. 2 is a front elevational view thereof, the rear elevational view being a mirror image thereof;

FIG. 3 is a left-side elevational view thereof, the right-side elevational view being a mirror image thereof;

FIG. 4 is a top plan view thereof;

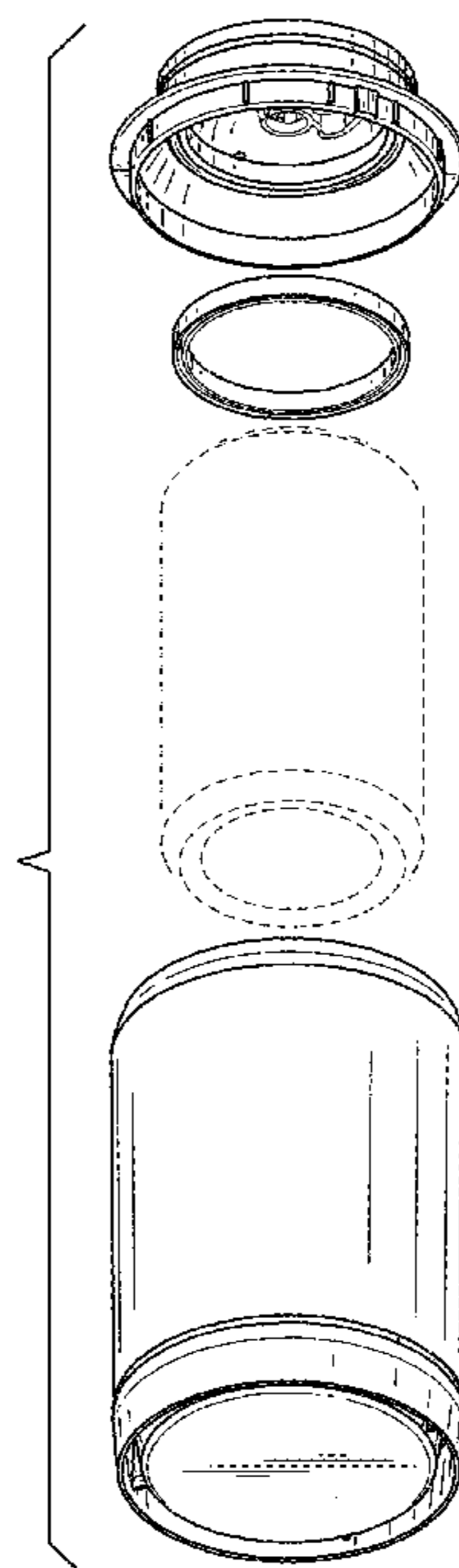
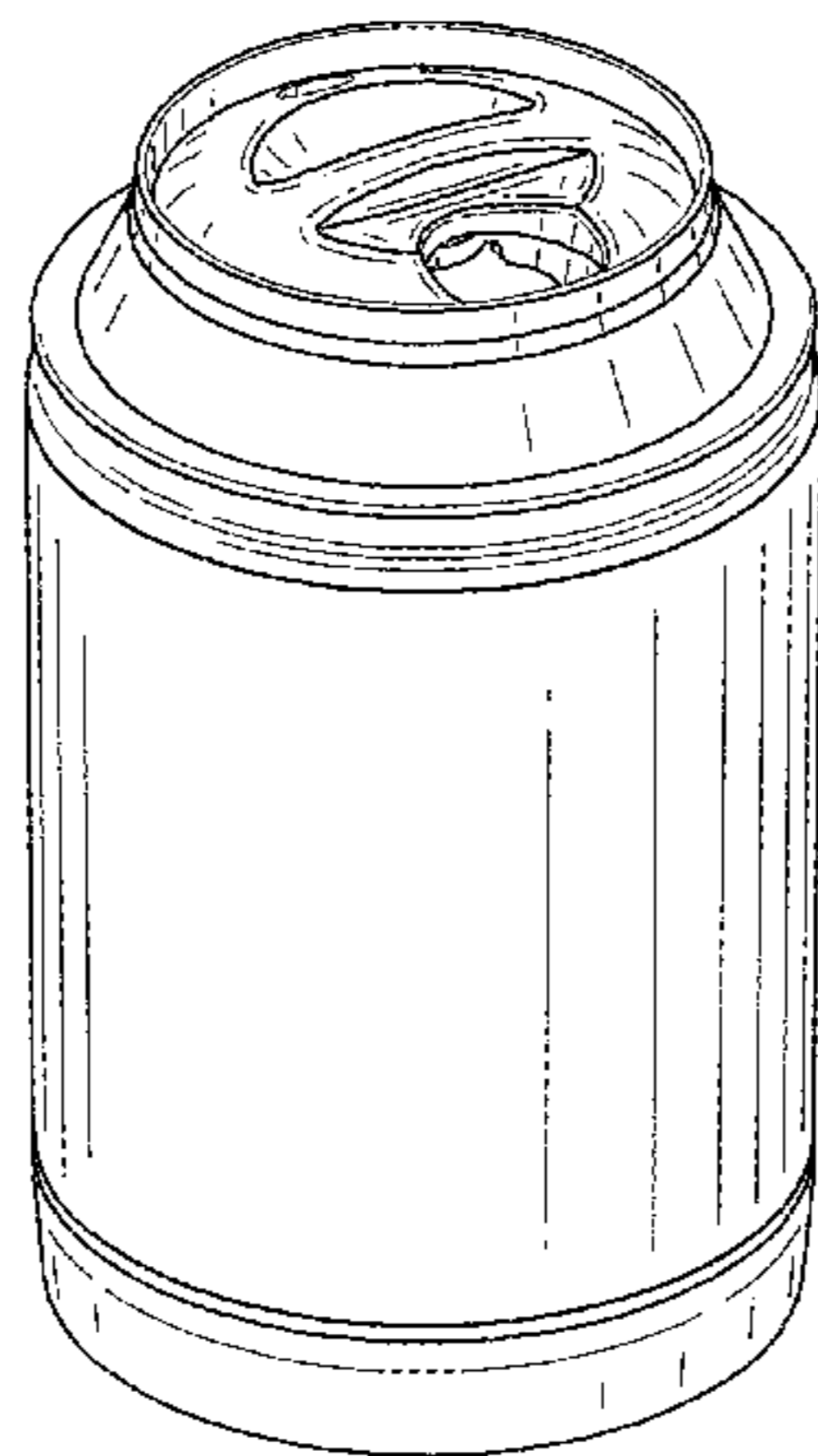
FIG. 5 is a bottom plan view thereof;

FIG. 6 is an exploded top perspective view thereof; and,

FIG. 7 is an exploded bottom perspective view thereof.

The broken lines showing a can in FIGS. 6 and 7 depict environmental matter and form no part of the claimed design.

1 Claim, 3 Drawing Sheets



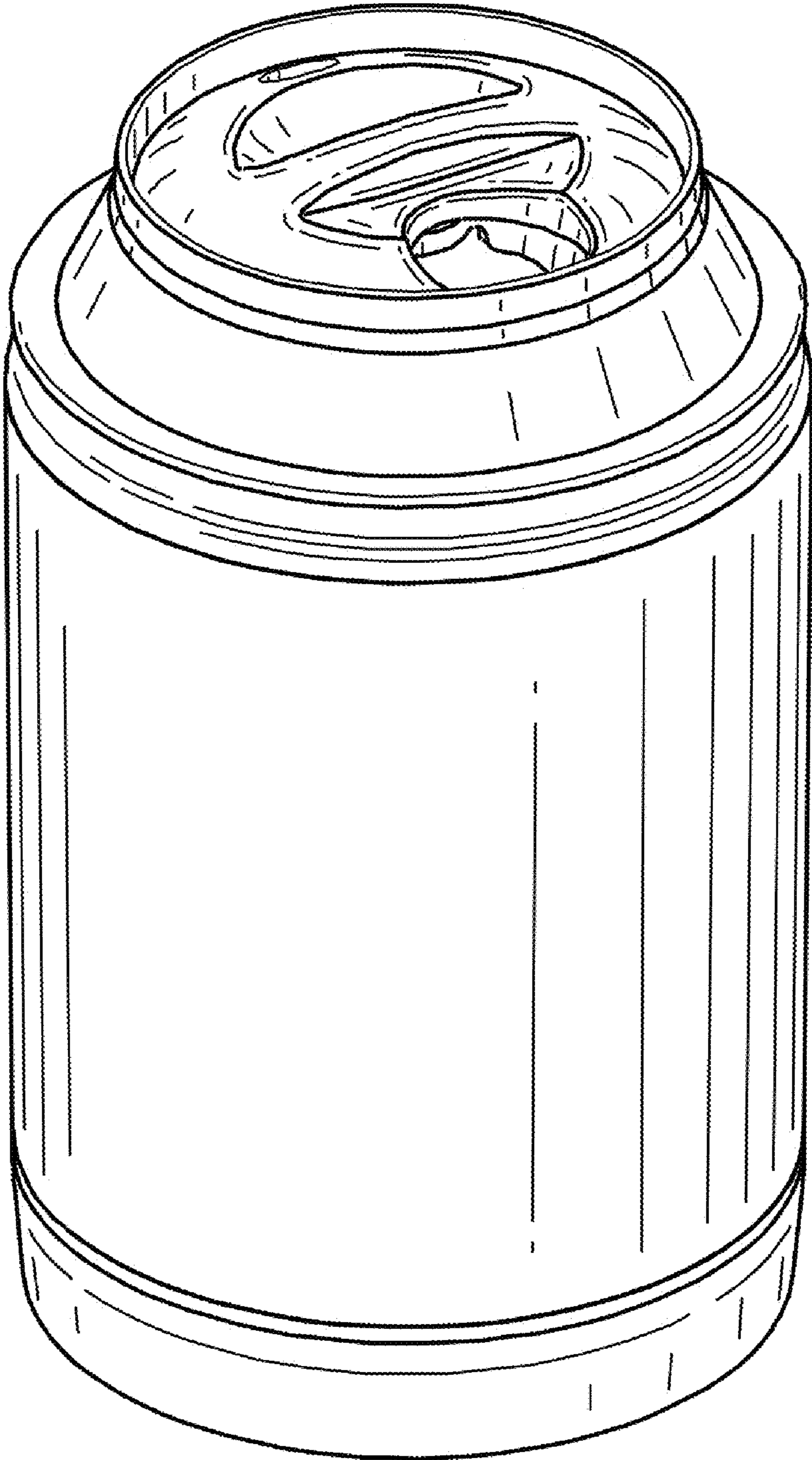


FIG. 1

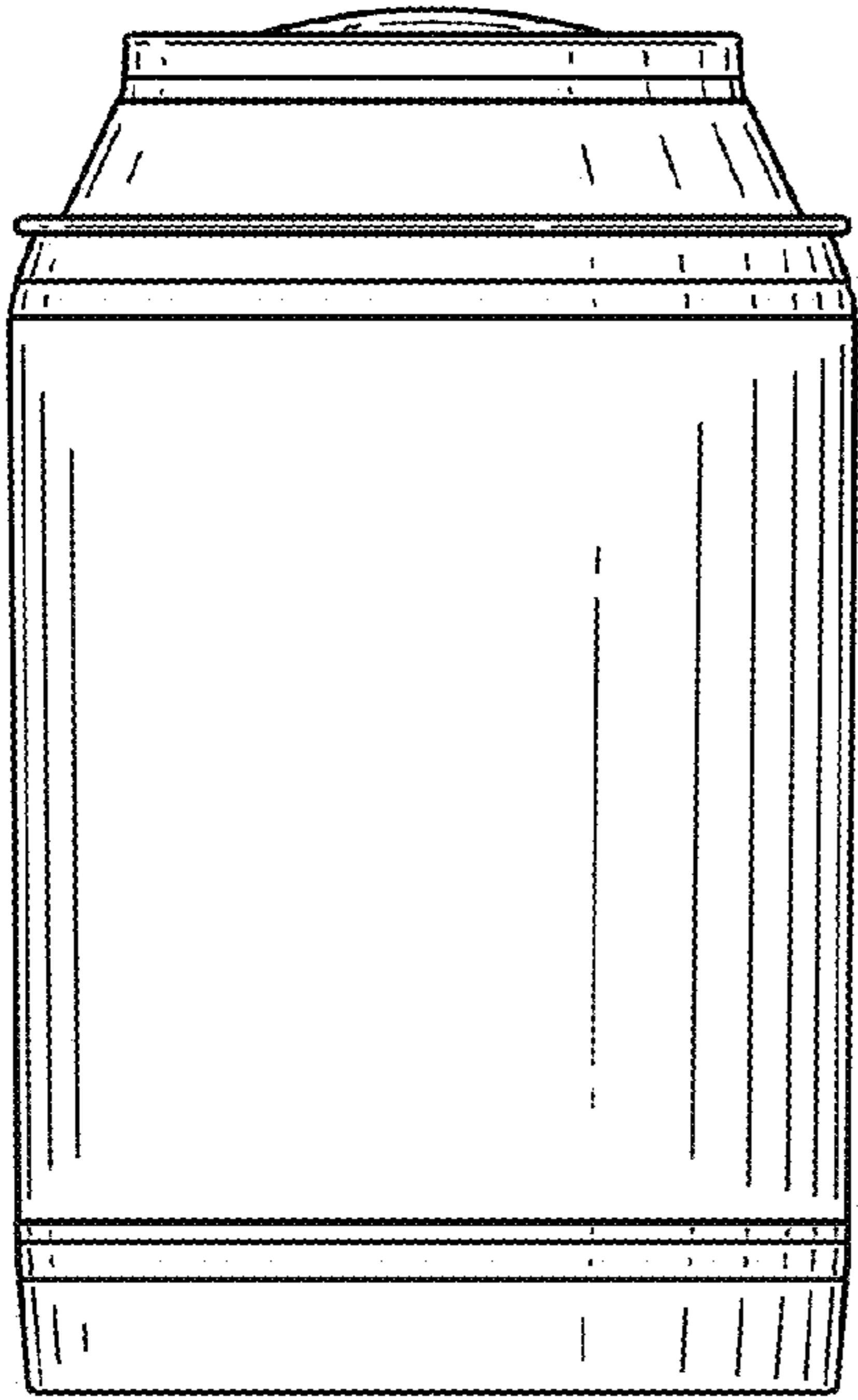


FIG. 2

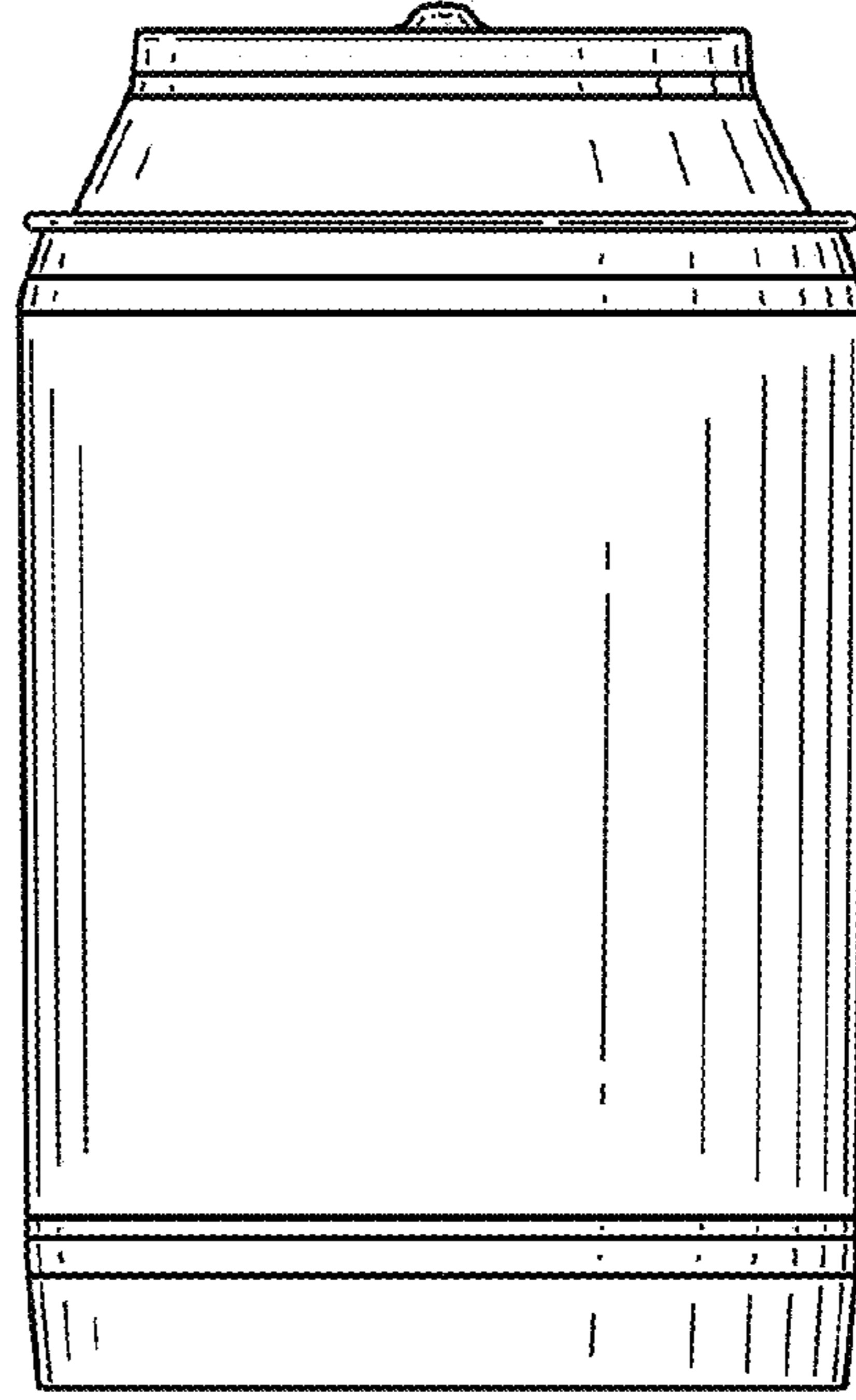


FIG. 3

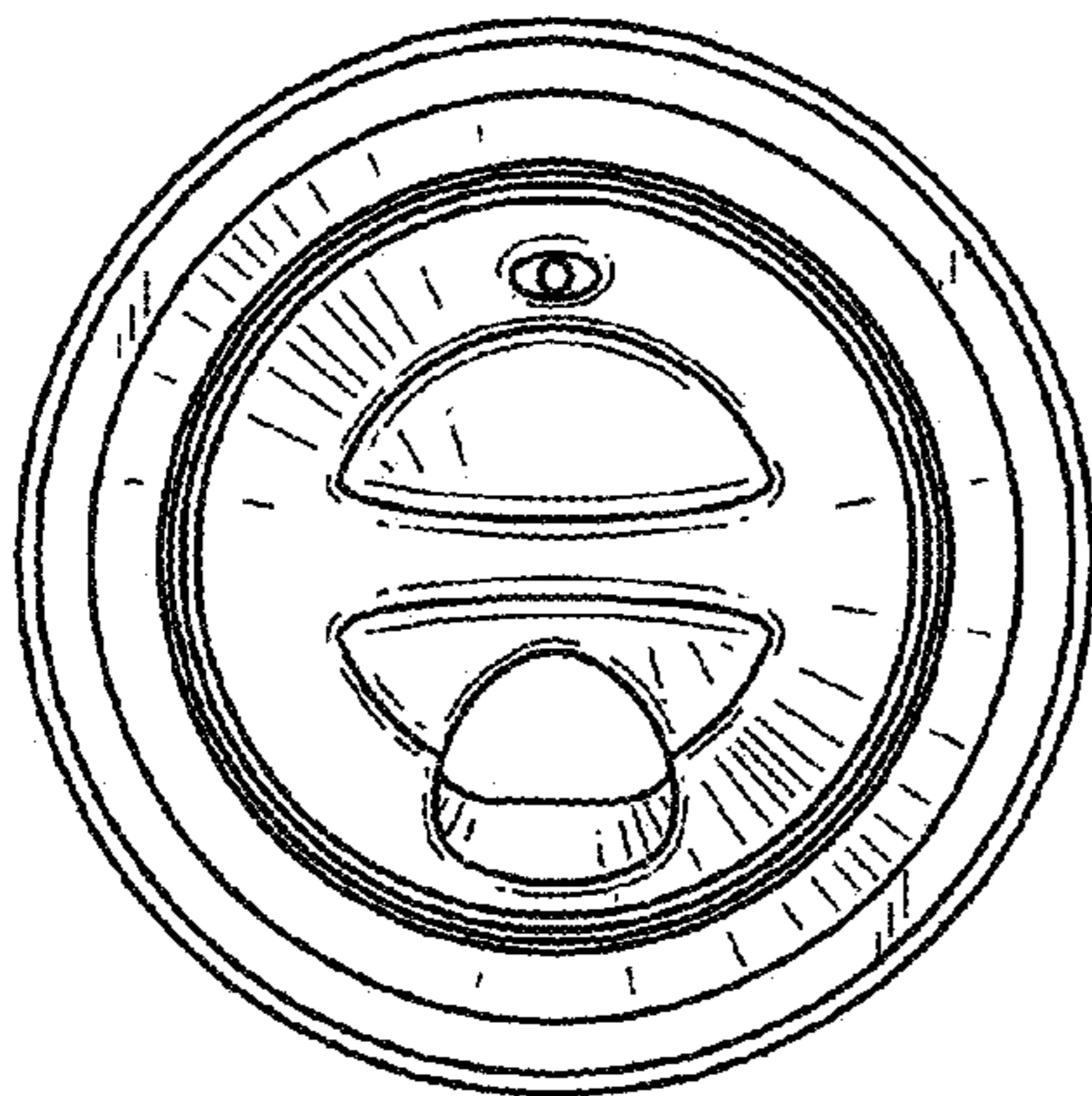


FIG. 4

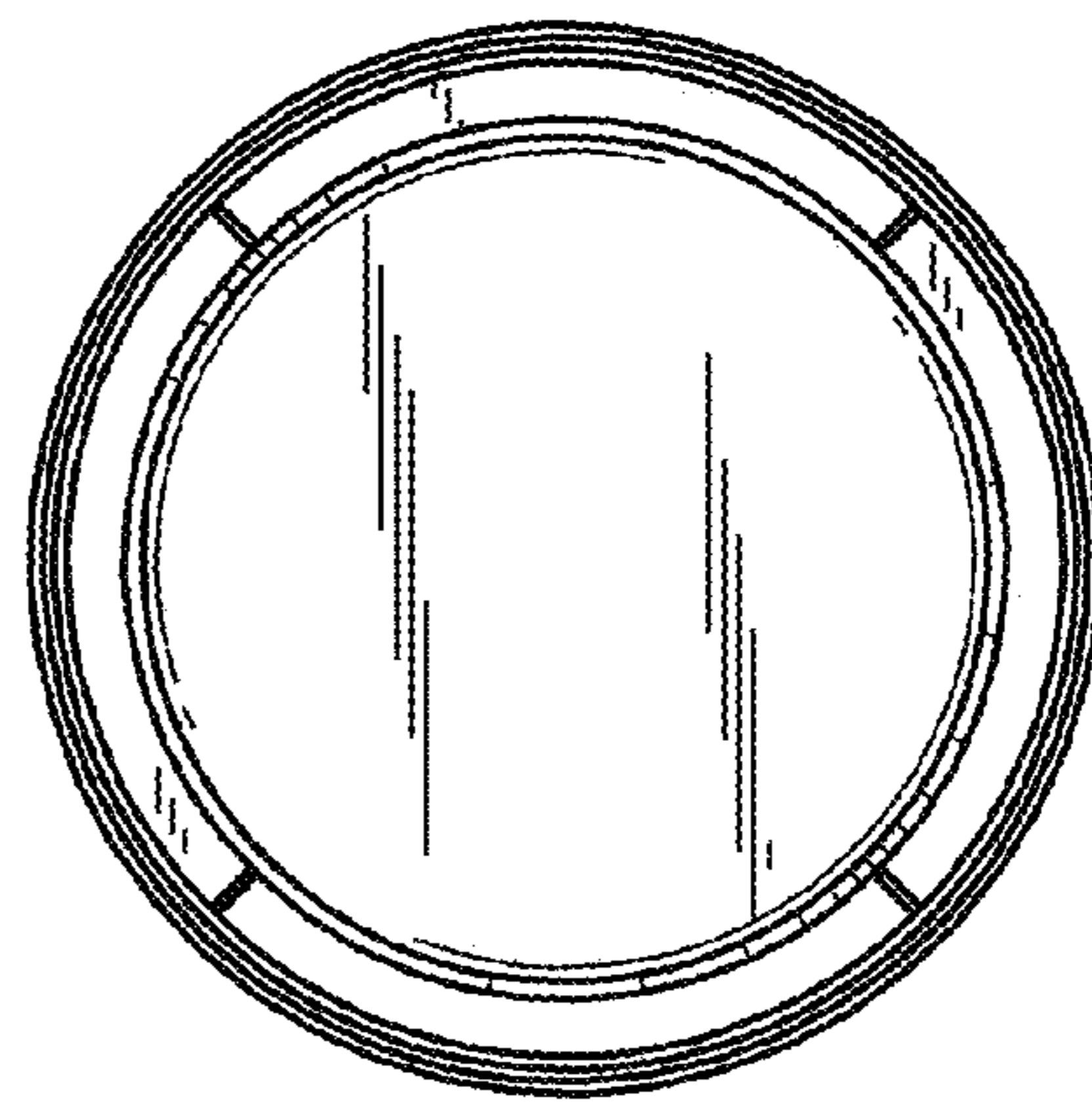


FIG. 5

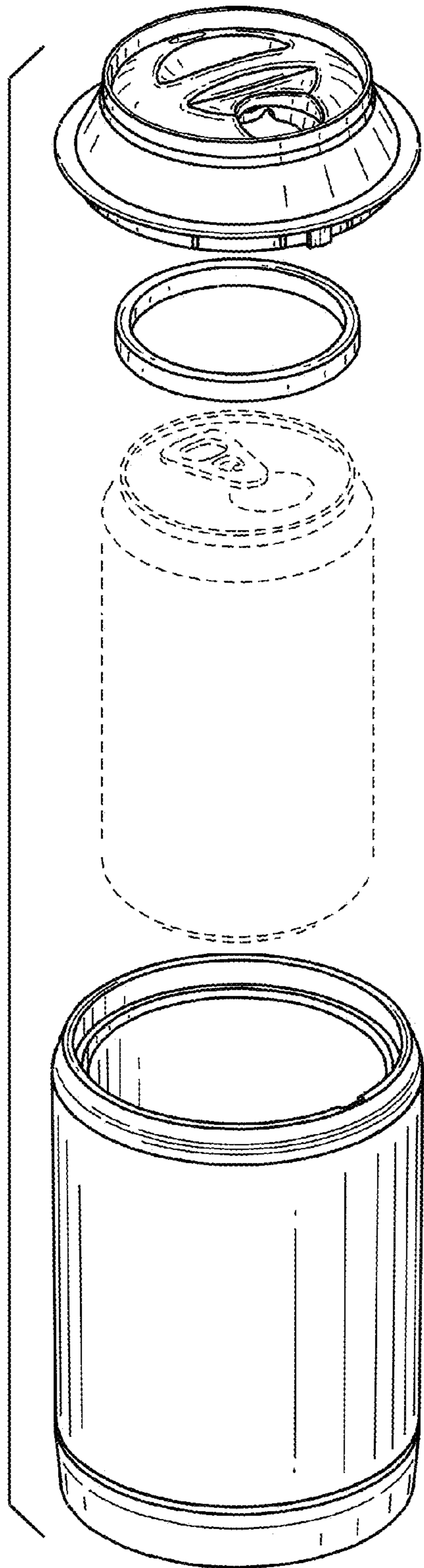


FIG. 6

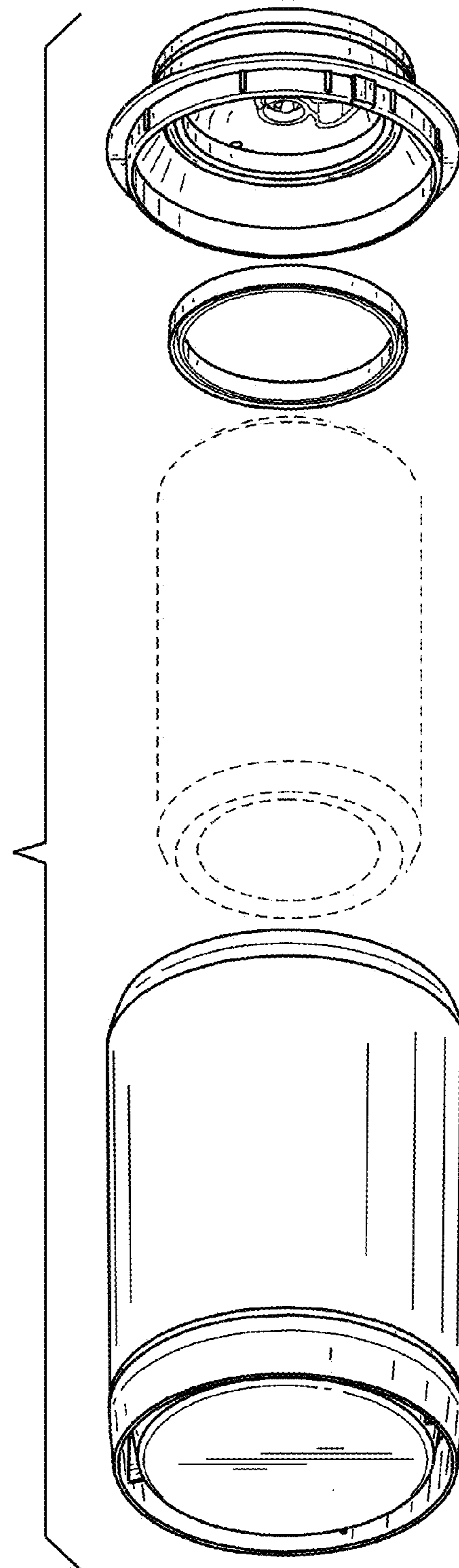


FIG. 7