



US00D675064S

(12) **United States Design Patent**  
**Mayer**

(10) **Patent No.:** **US D675,064 S**

(45) **Date of Patent:** **\*\* Jan. 29, 2013**

(54) **BOWL**

U.S. Appl. No. 29/373,777, filed May 19, 2011, first named inventor is Simone Mayer.

(76) Inventor: **Simone Mayer**, Miami Shores, FL (US)

\* cited by examiner

(\*\*) Term: **14 Years**

*Primary Examiner* — Cynthia Underwood

(21) Appl. No.: **29/373,772**

(74) *Attorney, Agent, or Firm* — Fross Zelnick Lehrman & Zissu, P.C.; Lawrence E. Apolzon, Esq.

(22) Filed: **May 19, 2011**

(51) **LOC (9) Cl.** ..... **07-01**

(57) **CLAIM**

(52) **U.S. Cl.** ..... **D7/543; D7/587**

The ornamental design for a bowl, as shown and described.

(58) **Field of Classification Search** ..... D7/505,  
D7/500, 587, 586, 538, 555, 541, 545, 546,  
D7/548, 553.1, 610, 566, 570, 629, 601;  
D9/307, 341-348, 543, 414, 761, 418, 432,  
D9/433; 206/561; 220/575, 574; 29/527.1;  
264/553

**DESCRIPTION**

See application file for complete search history.

FIG. 1 is a top perspective view of a bowl showing my new design;

(56) **References Cited**

**U.S. PATENT DOCUMENTS**

|              |         |                    |       |          |
|--------------|---------|--------------------|-------|----------|
| D161,752 S * | 1/1951  | Hart               | ..... | D7/554.3 |
| D197,574 S * | 2/1964  | Gulotta            | ..... | D7/545   |
| D217,502 S * | 5/1970  | Valerie            | ..... | D8/71    |
| D264,791 S * | 6/1982  | Conti              | ..... | D7/586   |
| D362,155 S * | 9/1995  | Yee                | ..... | D7/361   |
| D413,261 S * | 8/1999  | Yerich             | ..... | D9/426   |
| D473,754 S * | 4/2003  | Thun               | ..... | D7/545   |
| D488,352 S * | 4/2004  | Tisdale et al.     | ..... | D7/586   |
| D610,410 S * | 2/2010  | Haas               | ..... | D7/587   |
| D636,230 S * | 4/2011  | Koennecke          | ..... | D7/586   |
| D639,115 S * | 6/2011  | Stewart et al.     | ..... | D7/543   |
| D648,183 S * | 11/2011 | Weber              | ..... | D7/587   |
| D656,790 S * | 4/2012  | Clarichetti et al. | ..... | D7/566   |
| D657,628 S * | 4/2012  | Sink et al.        | ..... | D7/505   |

FIG. 2 is a front view of the bowl shown in FIG. 1;

FIG. 3 is a right side view of the bowl shown in FIG. 1;

FIG. 4 is a rear view of the bowl shown in FIG. 1;

FIG. 5 is a left side view of the bowl shown in FIG. 1;

FIG. 6 is a top view of the bowl shown in FIG. 1;

FIG. 7 is a bottom view of the bowl shown in FIG. 1;

FIG. 8 is a top perspective view of an alternative embodiment of the bowl shown in FIG. 1;

FIG. 9 is a front view of the alternative embodiment of the bowl shown in FIG. 8;

FIG. 10 is a right side view of the alternative embodiment of the bowl shown in FIG. 8;

FIG. 11 is a rear view of the alternative embodiment of the bowl shown in FIG. 8;

FIG. 12 is a left side view of the alternative embodiment of the bowl shown in FIG. 8;

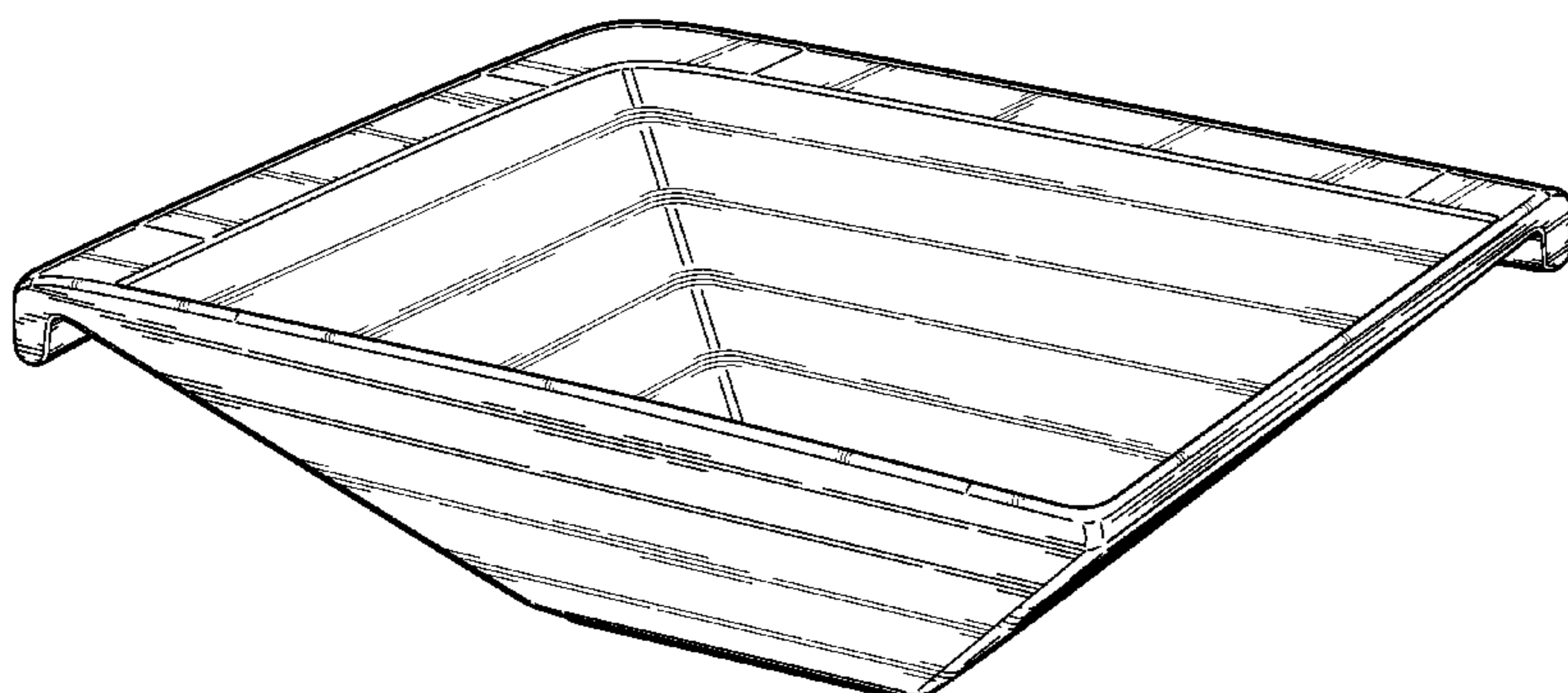
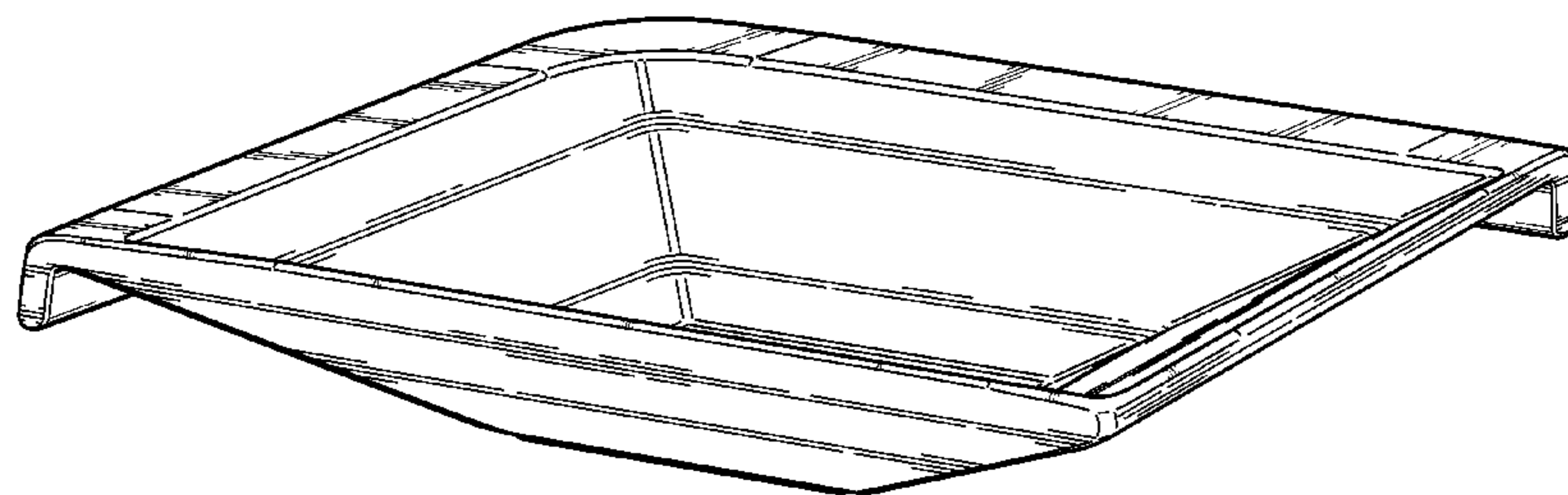
FIG. 13 is a top view of the alternative embodiment of the bowl shown in FIG. 8; and,

FIG. 14 is a bottom view of the alternative embodiment of the bowl shown in FIG. 8.

**OTHER PUBLICATIONS**

U.S. Appl. No. 29/373,780, filed May 19, 2011, first named inventor is Simone Mayer.

**1 Claim, 10 Drawing Sheets**



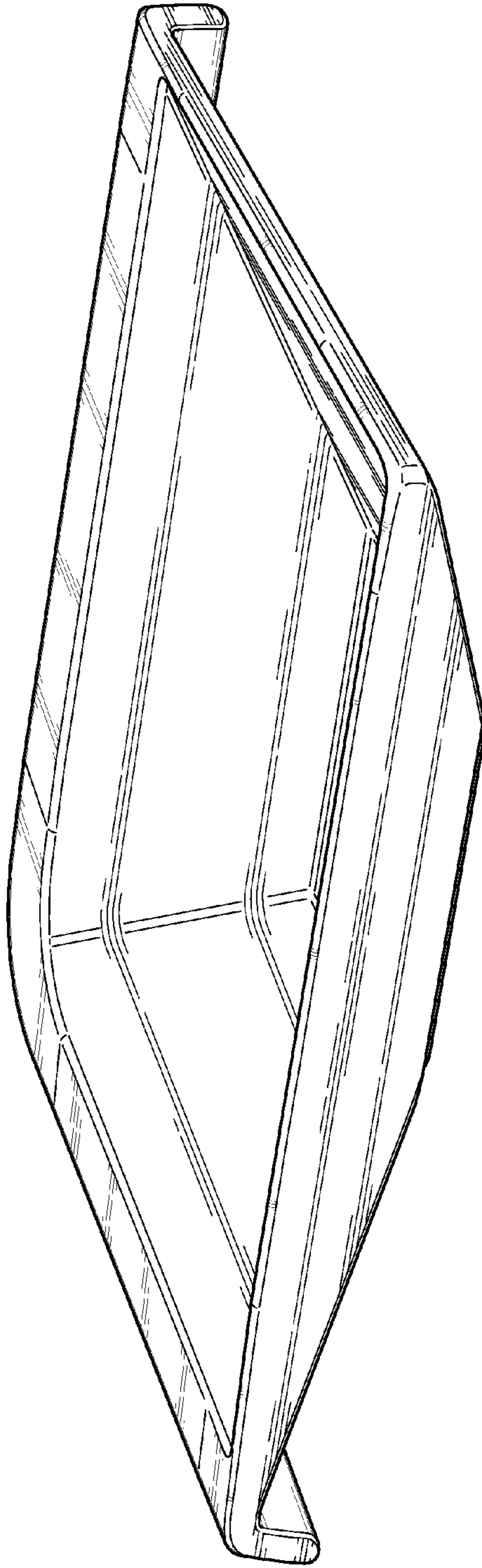


FIG. 1

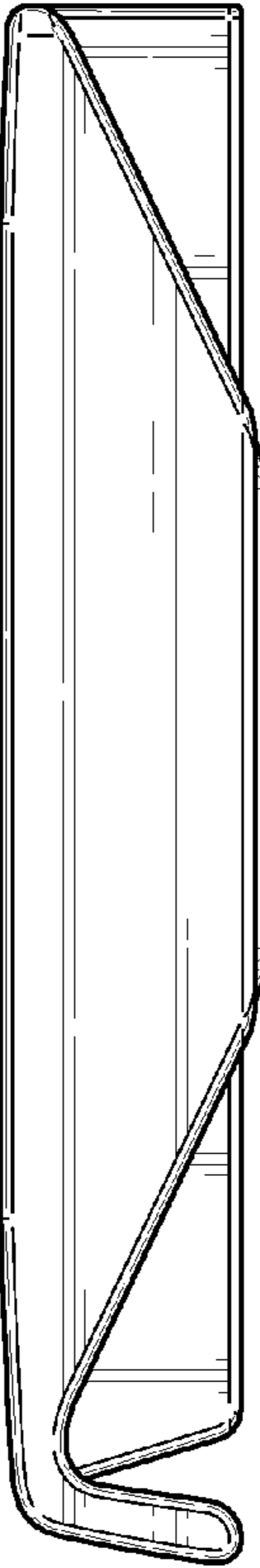


FIG. 2

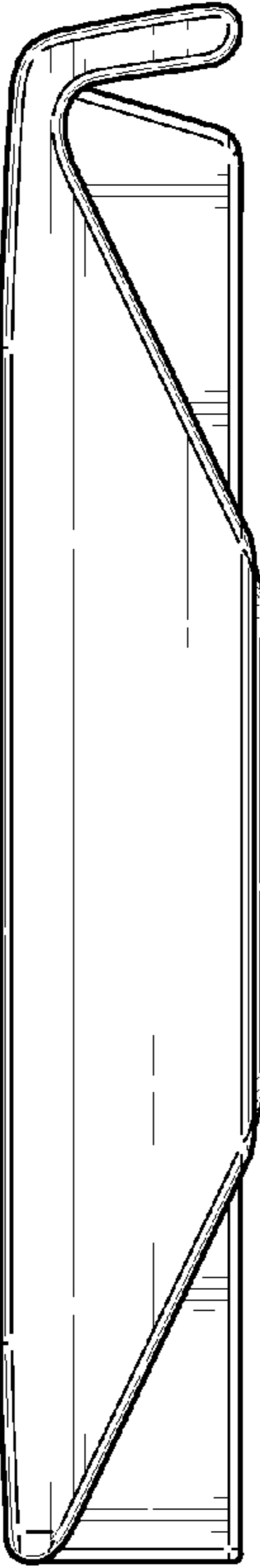


FIG. 3

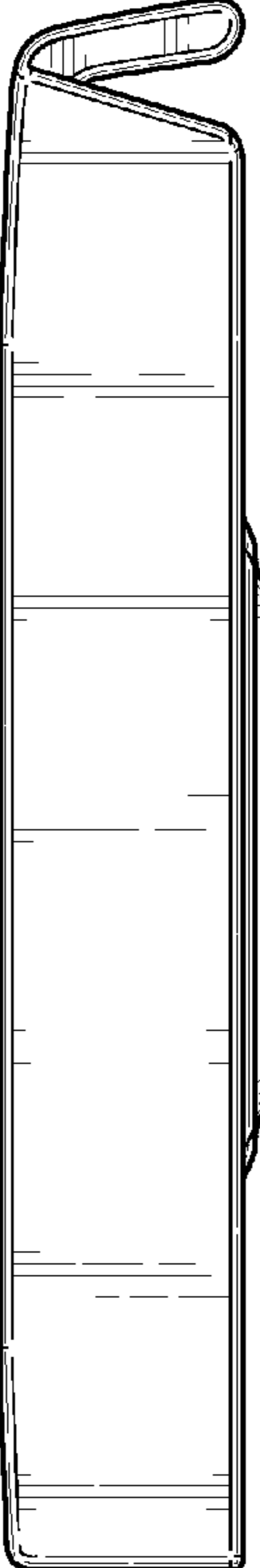


FIG. 4

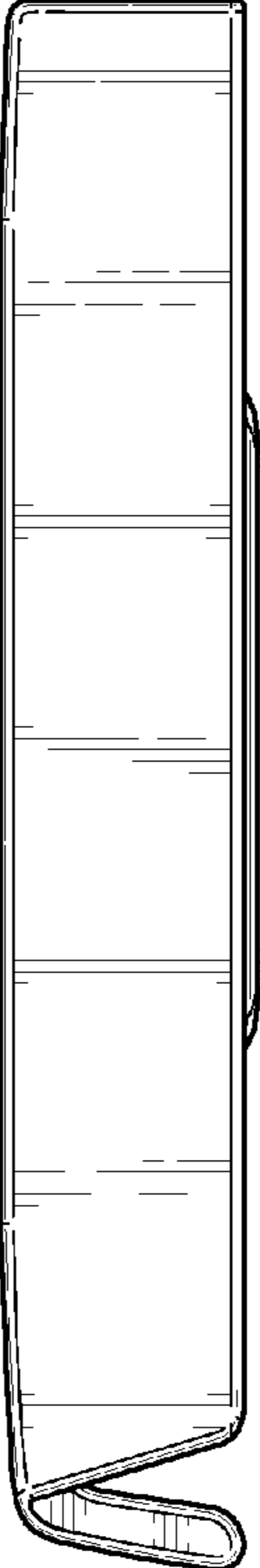


FIG. 5

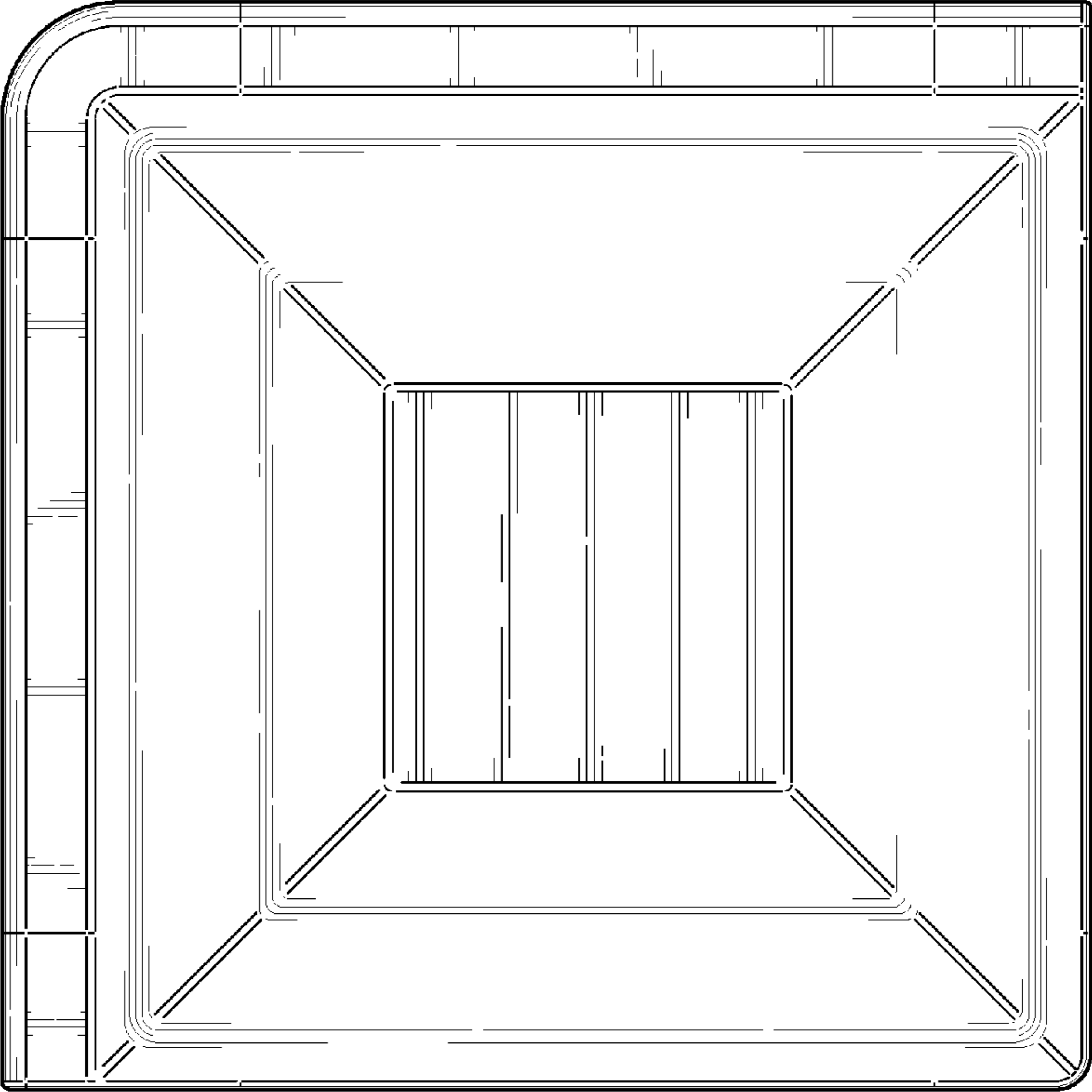


FIG. 6

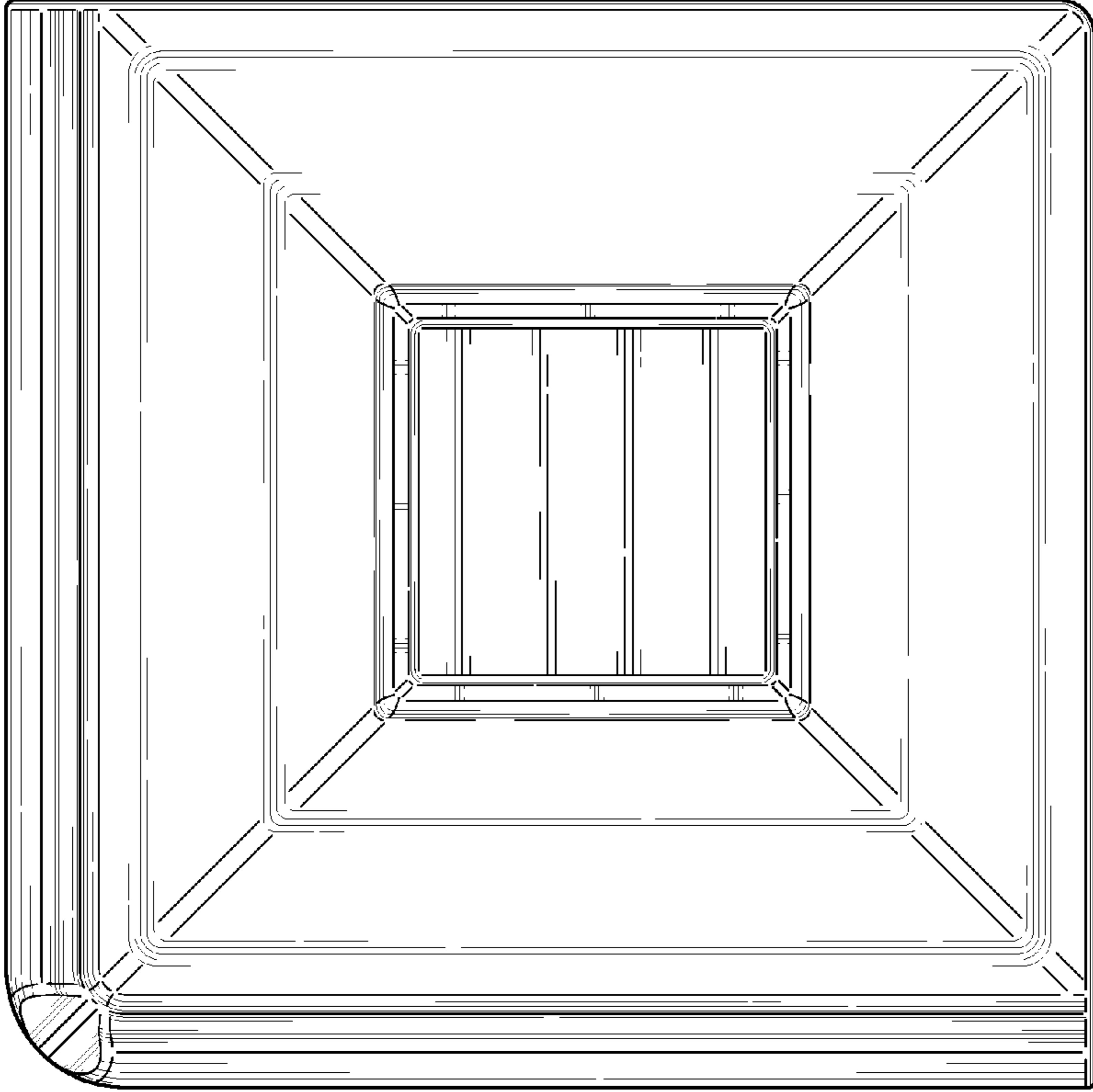


FIG. 7

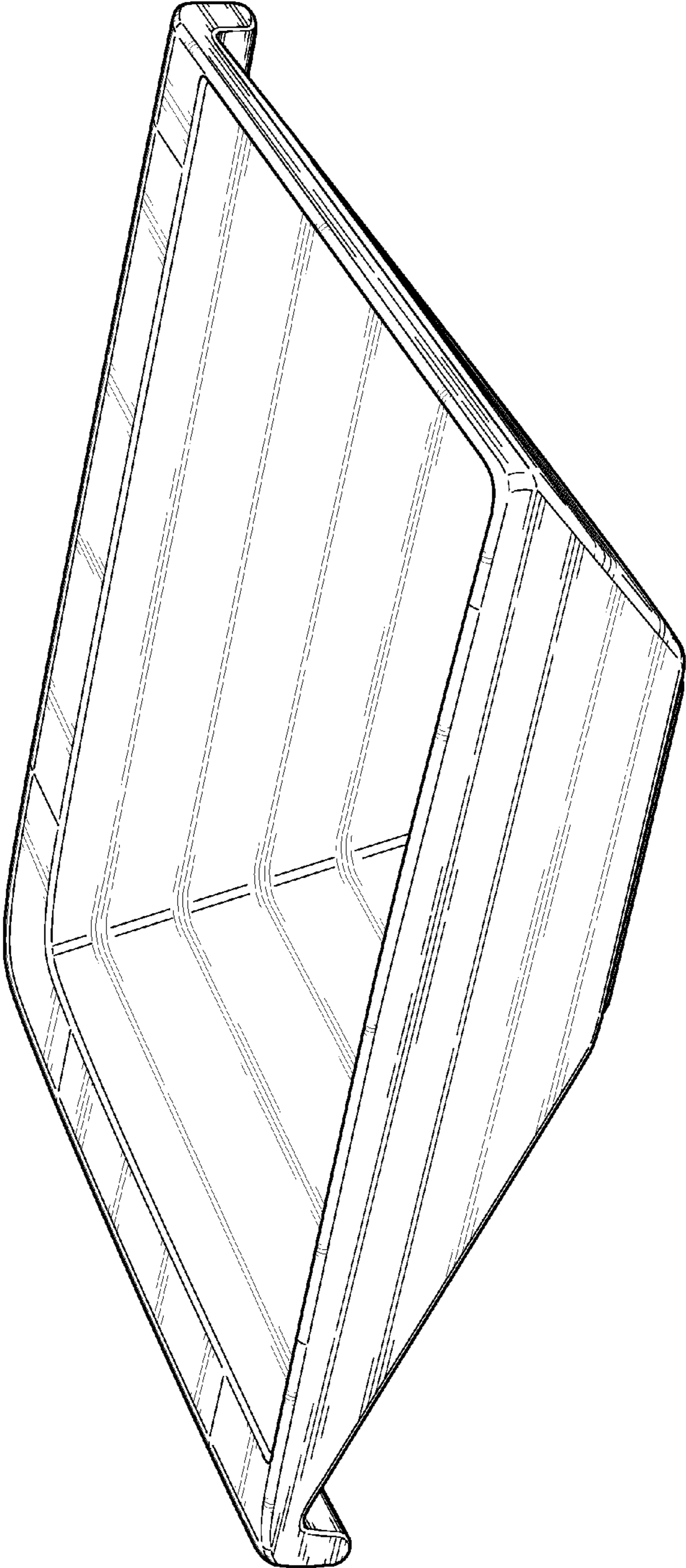


FIG. 8

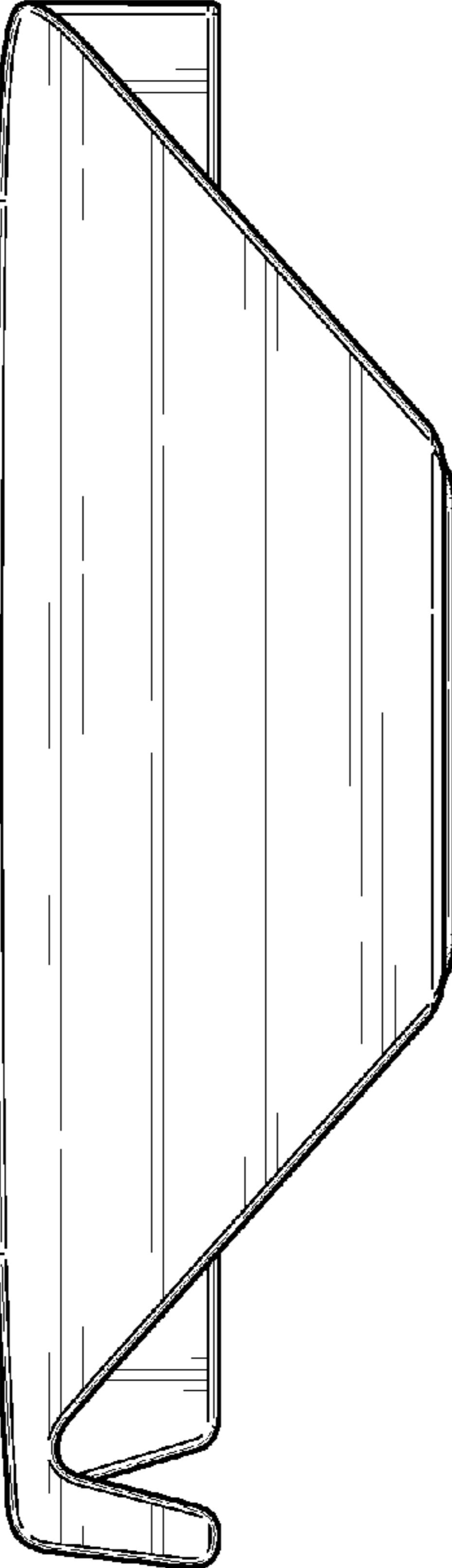


FIG. 9

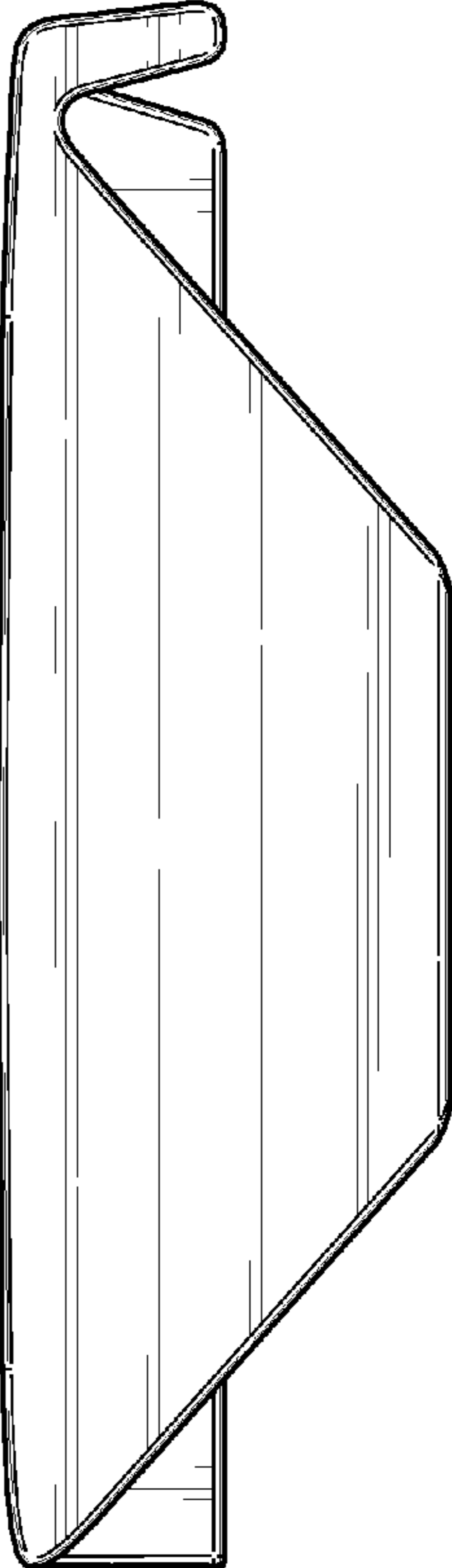


FIG. 10



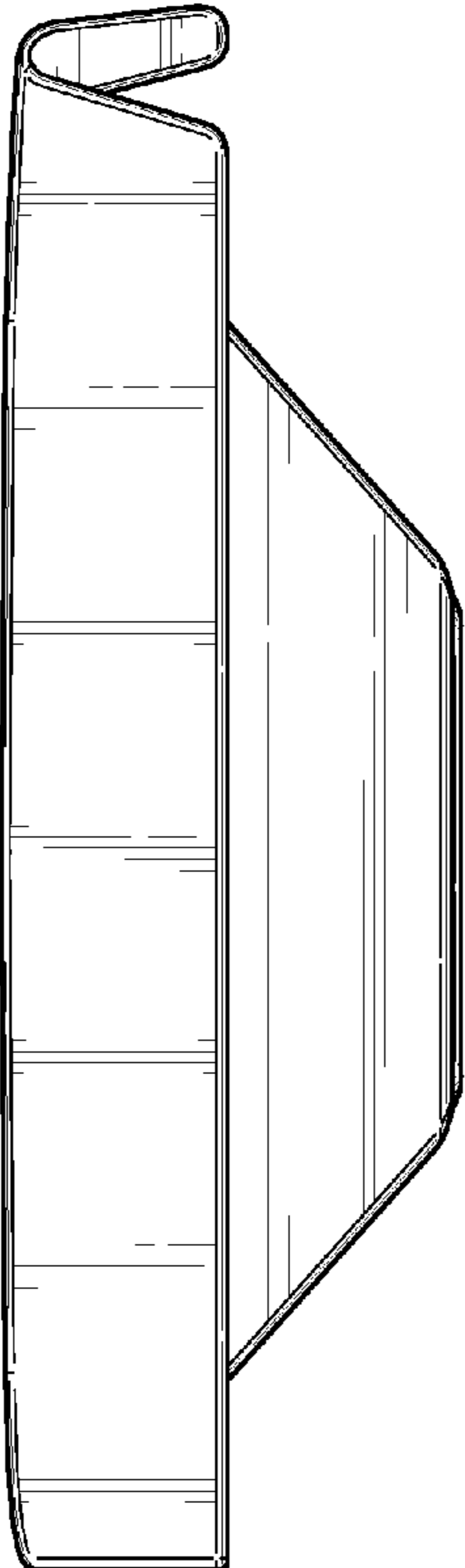


FIG. 11



FIG. 12

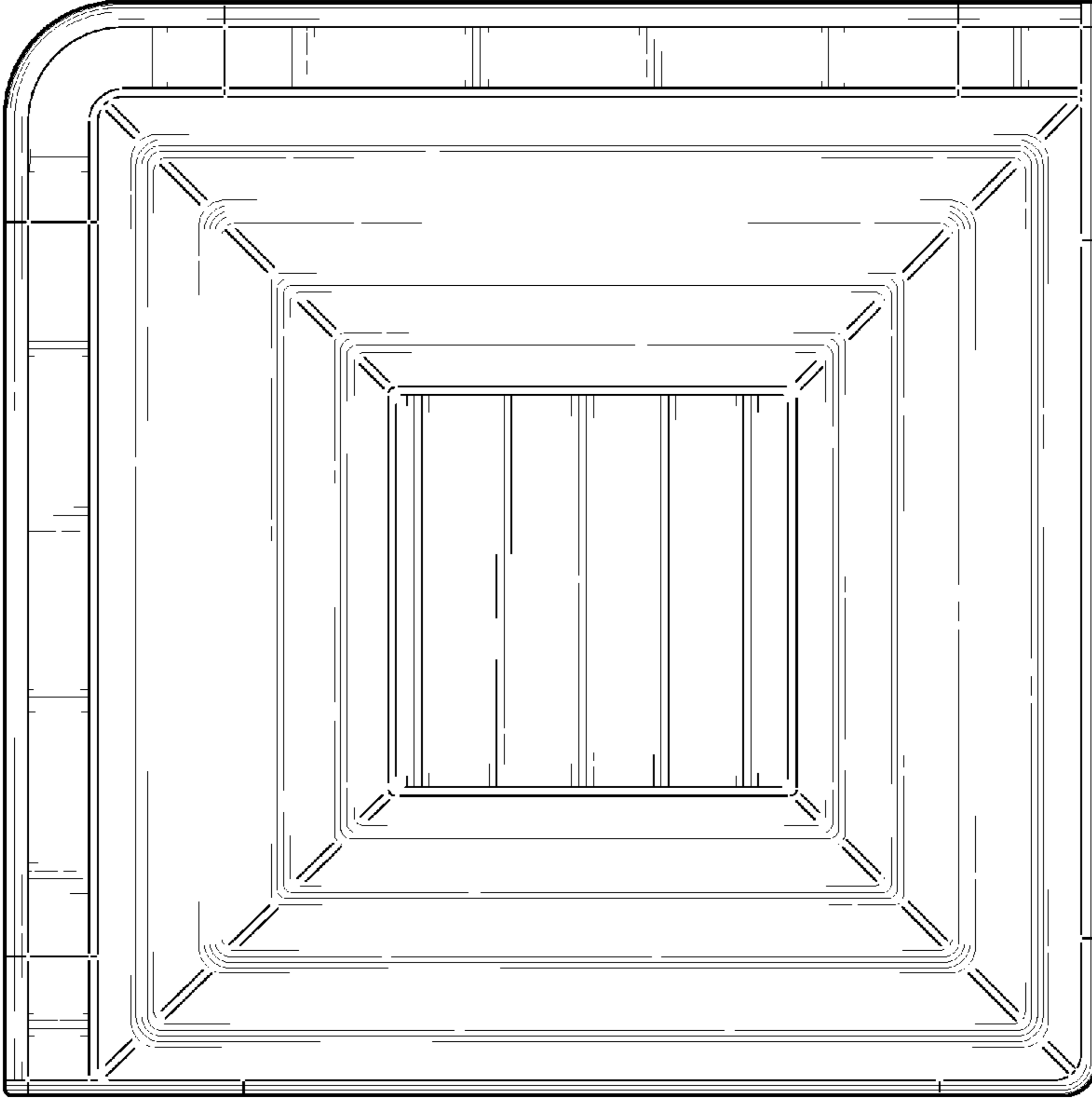


FIG. 13

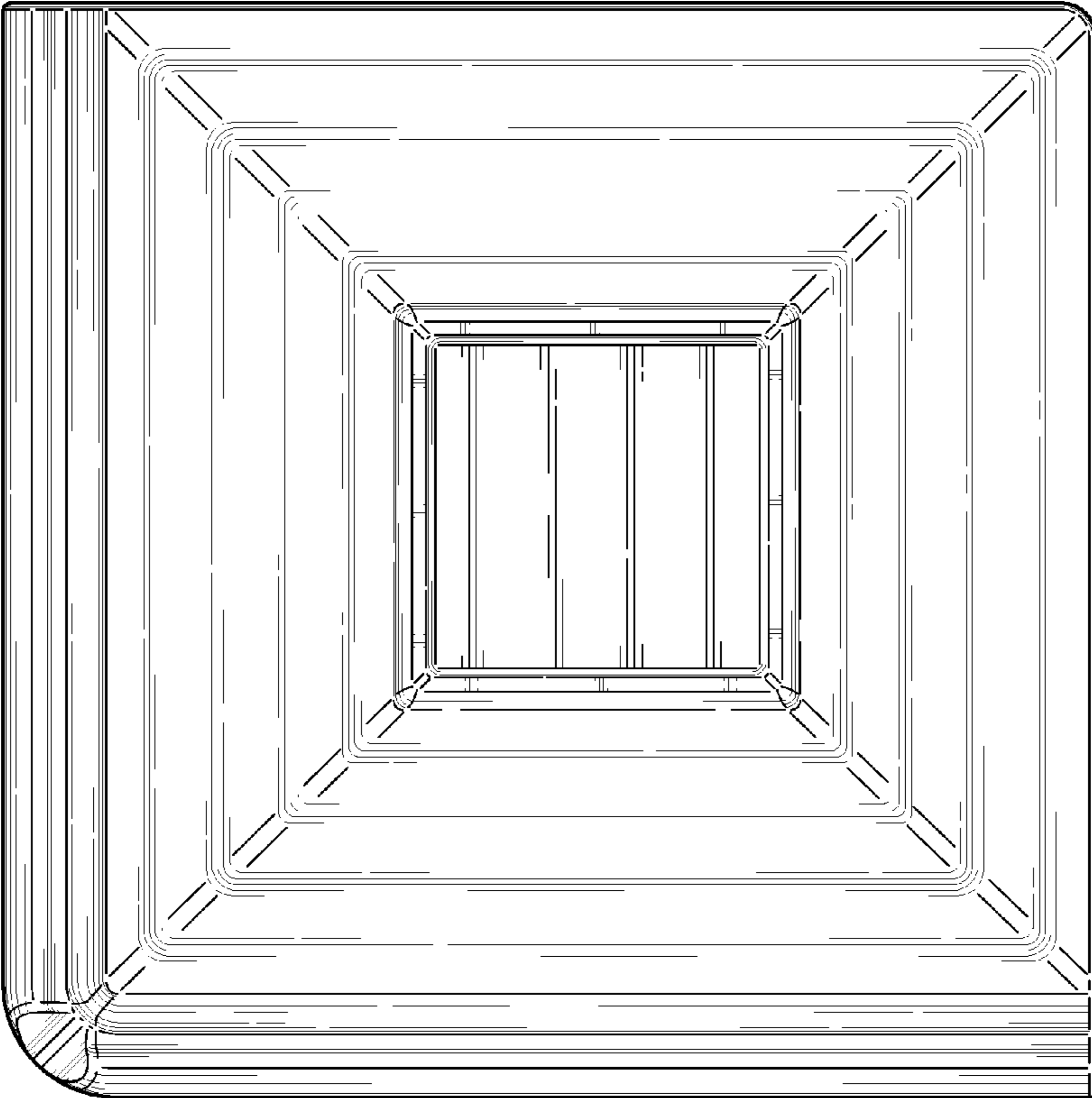


FIG. 14