



US00D675063S

(12) **United States Design Patent**  
**Wahl**

(10) **Patent No.:** **US D675,063 S**  
(45) **Date of Patent:** **\*\* Jan. 29, 2013**

(54) **BEVERAGE CONTAINER**

(75) Inventor: **Andrew C. F. Wahl**, Seattle, WA (US)

(73) Assignee: **Pacific Market International, LLC**,  
Seattle, WA (US)

(\*\*) Term: **14 Years**

(21) Appl. No.: **29/397,426**

(22) Filed: **Jul. 15, 2011**

(51) **LOC (9) Cl.** ..... **07-01**

(52) **U.S. Cl.** ..... **D7/510**

(58) **Field of Classification Search** ..... D7/510,  
D7/511, 536, 532, 531, 509; D9/551, 529;  
215/121, 382, 387; 220/674, 715, 713, 718,  
220/592.16, 592.17, 709, 708

See application file for complete search history.

(56) **References Cited**

**U.S. PATENT DOCUMENTS**

D493,068 S *	7/2004	Slater et al.	.....	D7/510
D544,300 S *	6/2007	Tien	.....	D7/510
D588,412 S *	3/2009	Brooks	.....	D7/510
D622,102 S *	8/2010	Wahl	.....	D7/510
D622,545 S *	8/2010	Wahl	.....	D7/510
D650,231 S *	12/2011	Gilbert	.....	D7/510
D650,232 S *	12/2011	Gilbert	.....	D7/510
D654,762 S *	2/2012	Gilbert	.....	D7/510
D654,763 S *	2/2012	George et al.	.....	D7/510
D656,361 S *	3/2012	Gilbert	.....	D7/536
D658,431 S *	5/2012	Gilbert	.....	D7/392.1
D659,474 S *	5/2012	Wahl et al.	.....	D7/510

\* cited by examiner

*Primary Examiner* — Robert M Spear

*Assistant Examiner* — Janice Hallmark

(74) *Attorney, Agent, or Firm* — Davis Wright Tremaine  
LLP; George C. Rondeau, Jr.

(57) **CLAIM**

The ornamental design for a beverage container, as shown and described.

**DESCRIPTION**

FIG. 1 is a top right side perspective view of a beverage container showing my new design.

FIG. 2 is a right side elevational view thereof.

FIG. 3 is a left side elevational view thereof.

FIG. 4 is a rear elevational view thereof.

FIG. 5 is a front elevational view thereof.

FIG. 6 is a top plan view thereof.

FIG. 7 is a bottom plan view thereof.

FIG. 8 is a top right side perspective view of a second embodiment thereof.

FIG. 9 is a right side elevational view thereof.

FIG. 10 is a left side elevational view thereof.

FIG. 11 is a rear elevational view thereof.

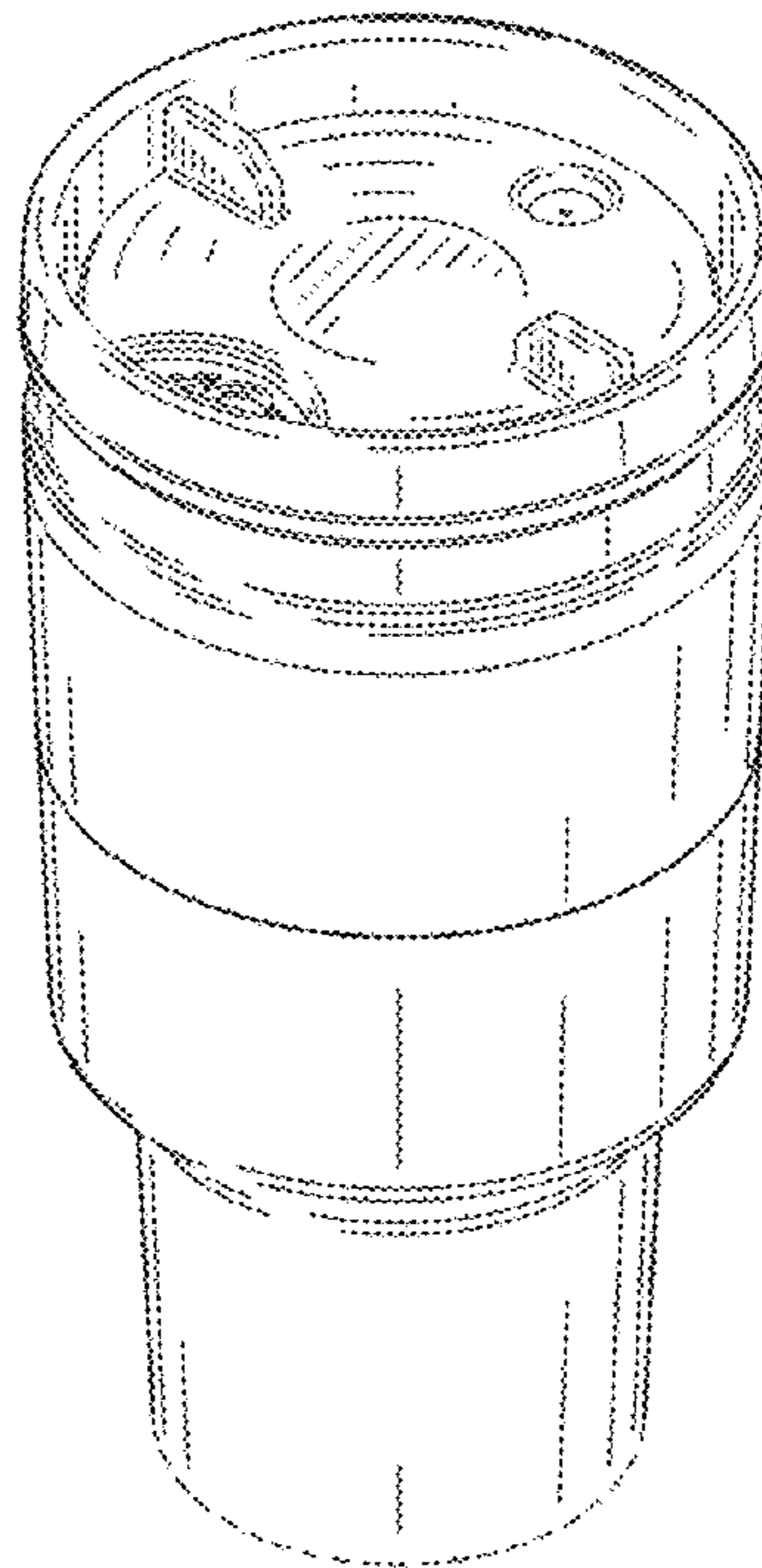
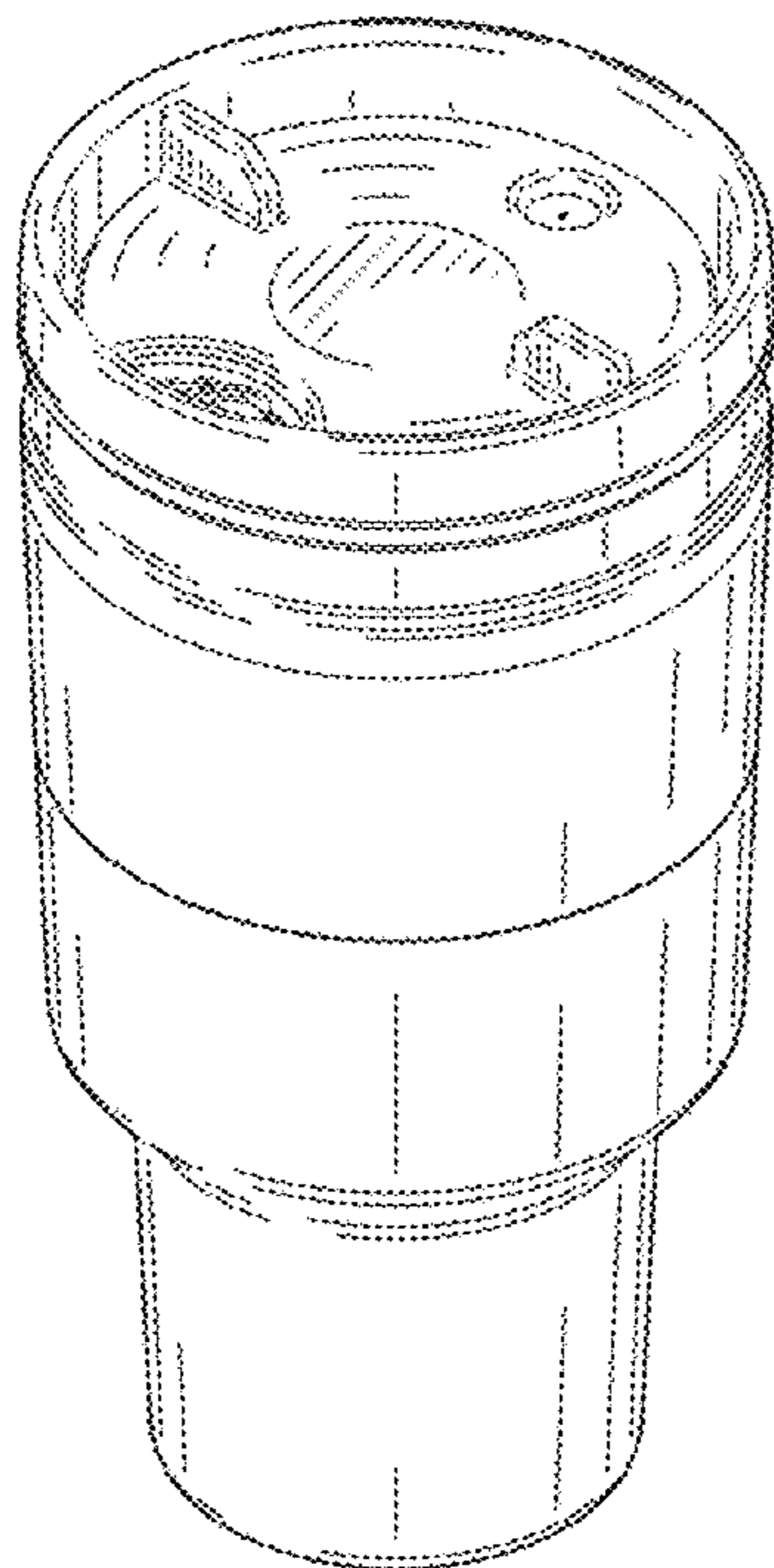
FIG. 12 is a front elevational view thereof.

FIG. 13 is a top plan view thereof; and,

FIG. 14 is a bottom plan view thereof.

The broken lines represent portions of the beverage container that form no part of the claim.

**1 Claim, 12 Drawing Sheets**



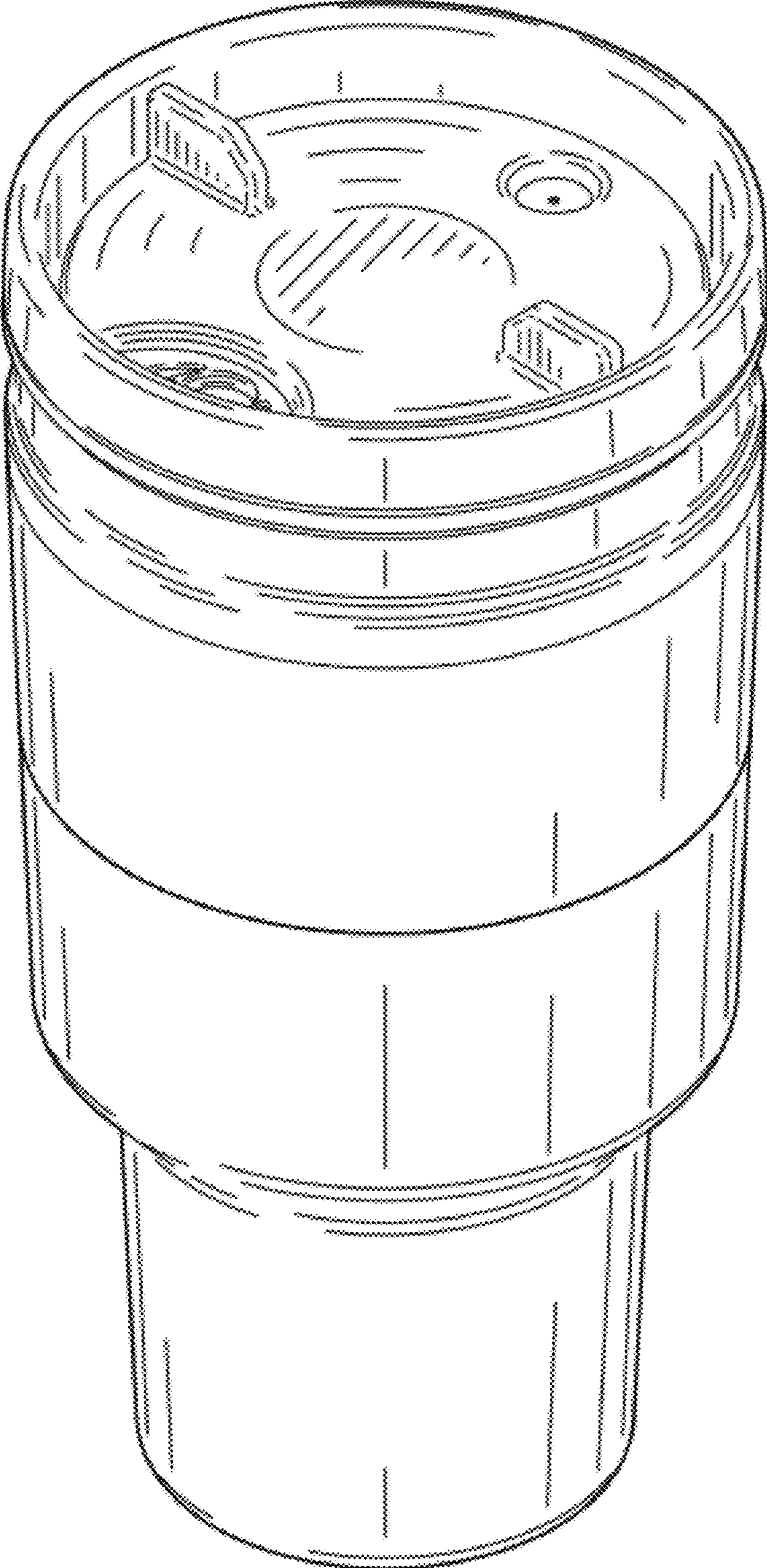


FIG.1

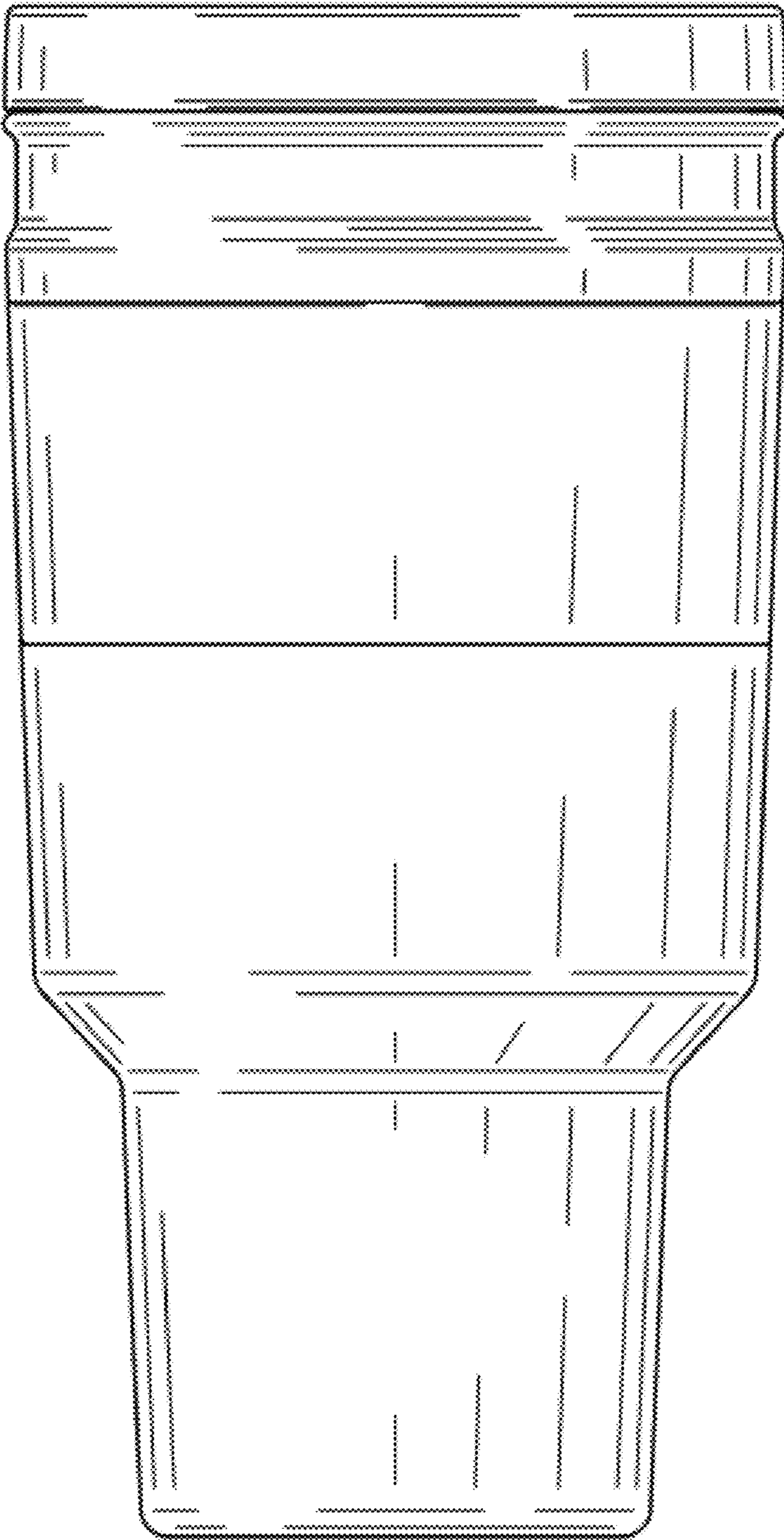


FIG.2

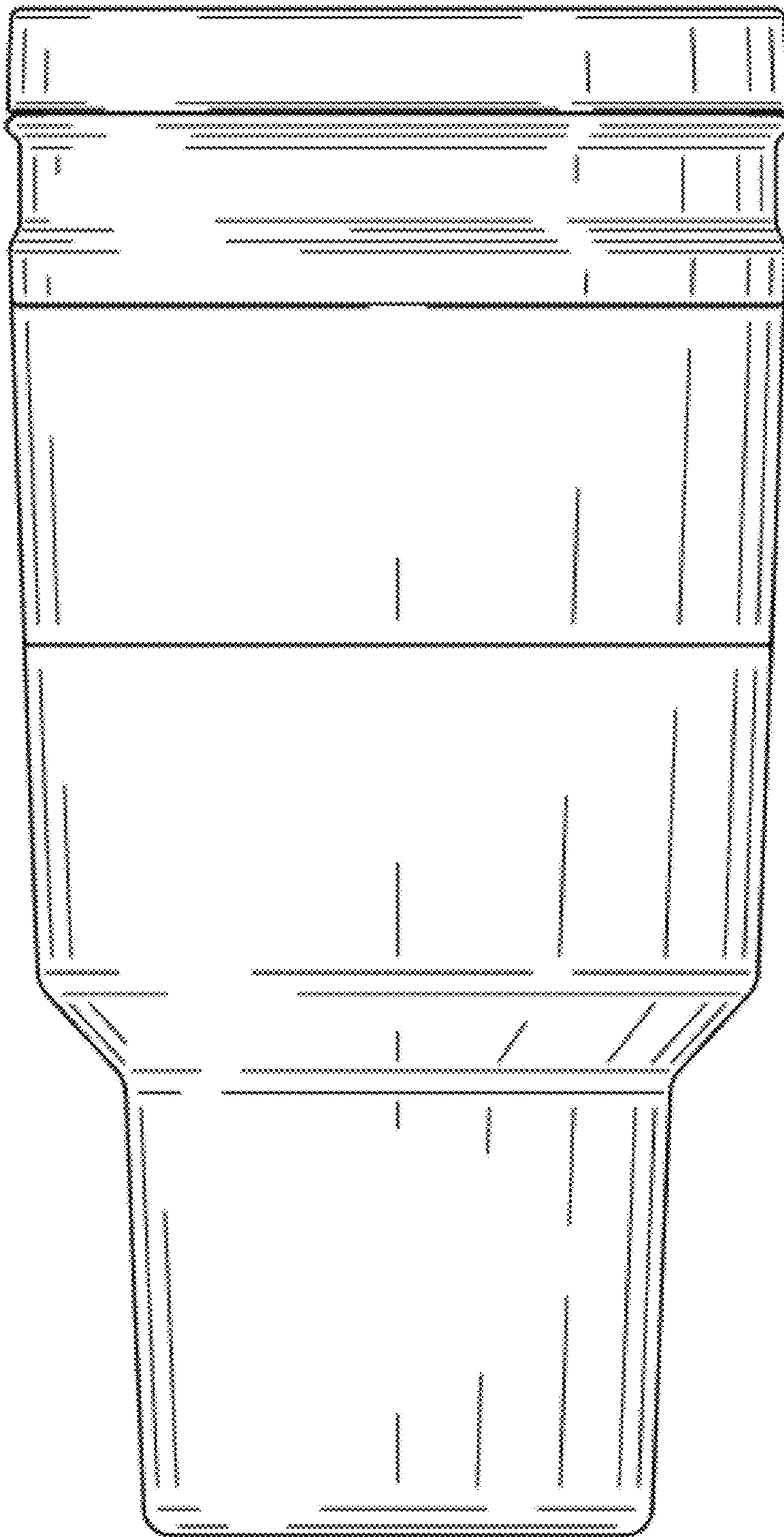


FIG. 3

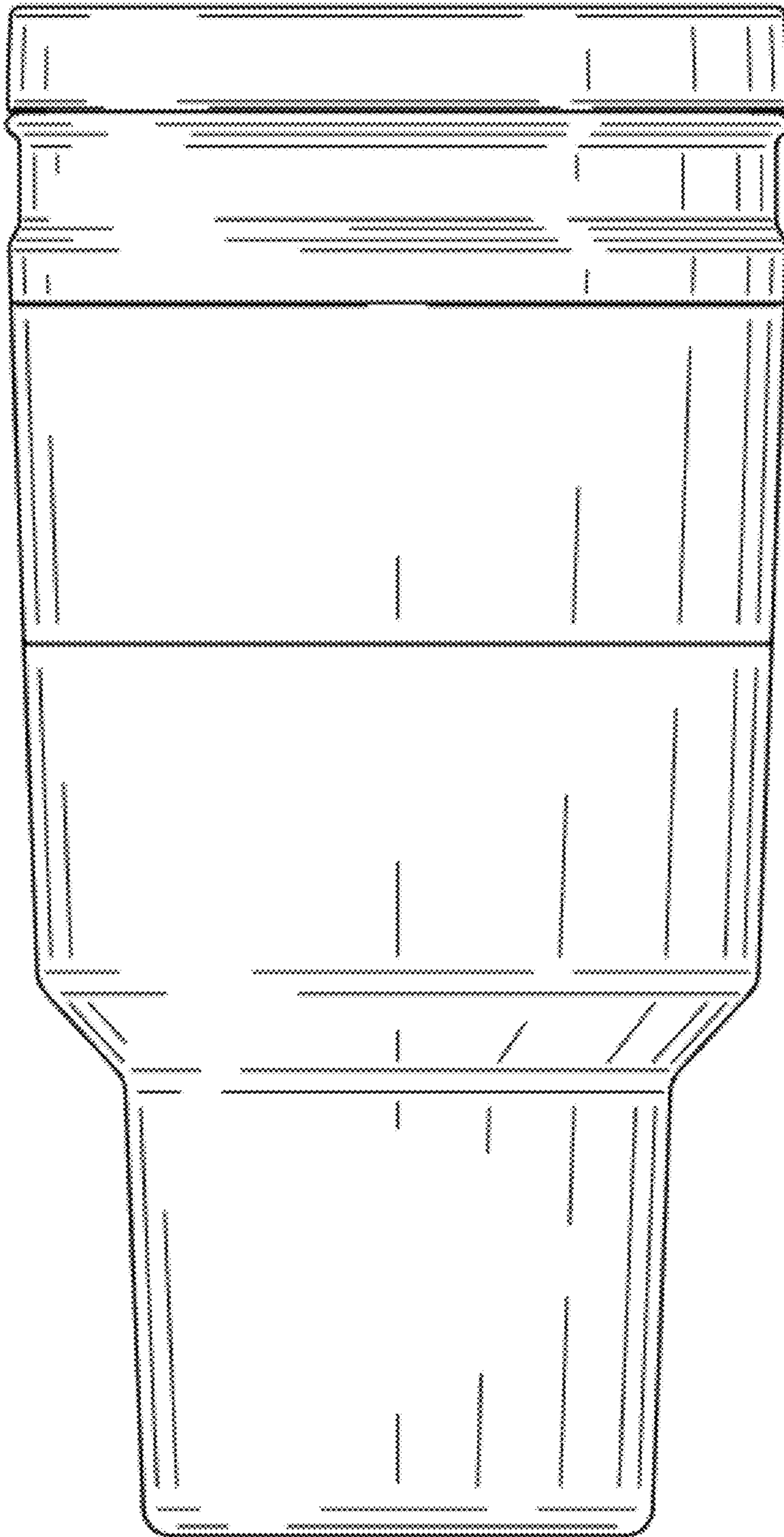


FIG. 4

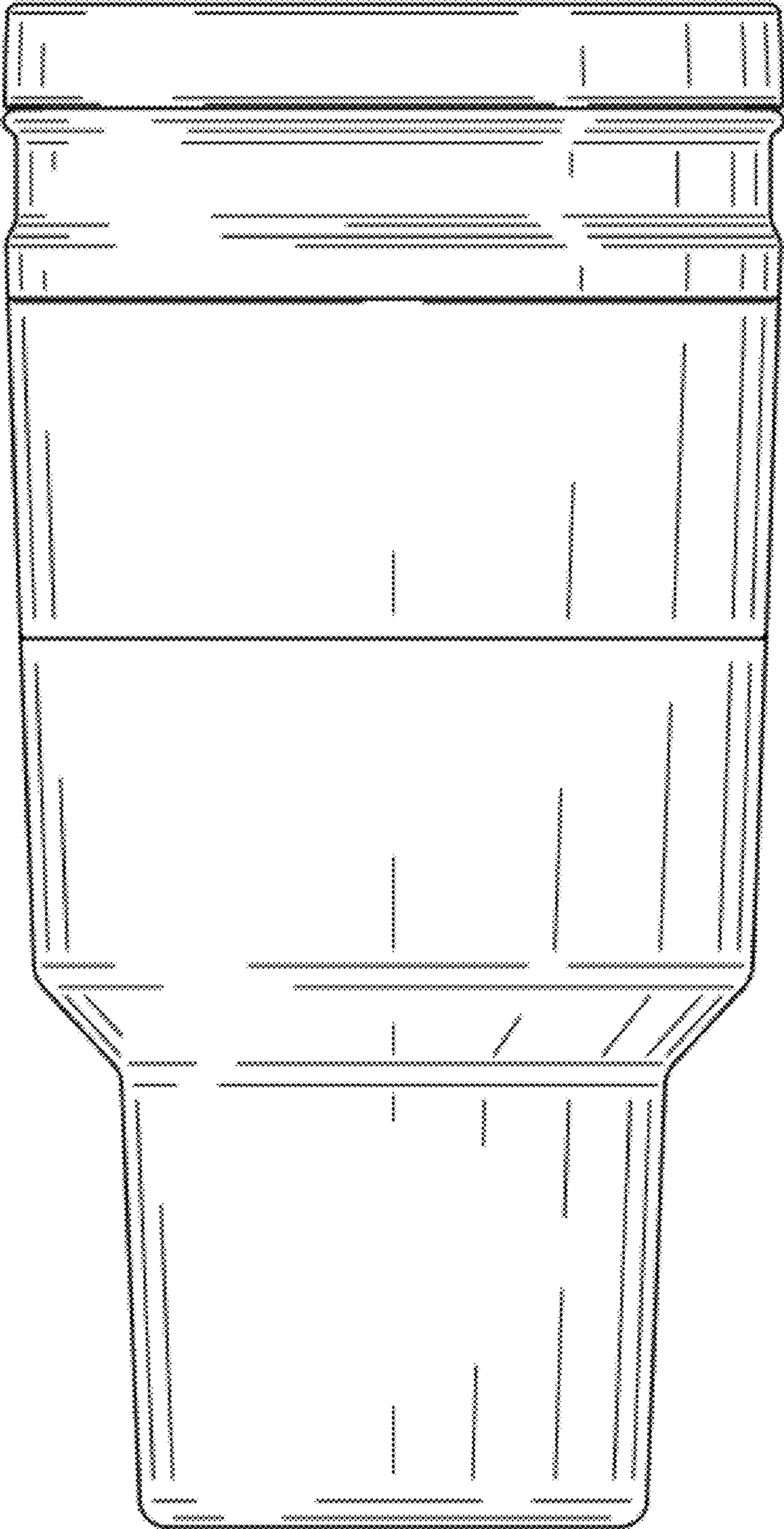


FIG.5

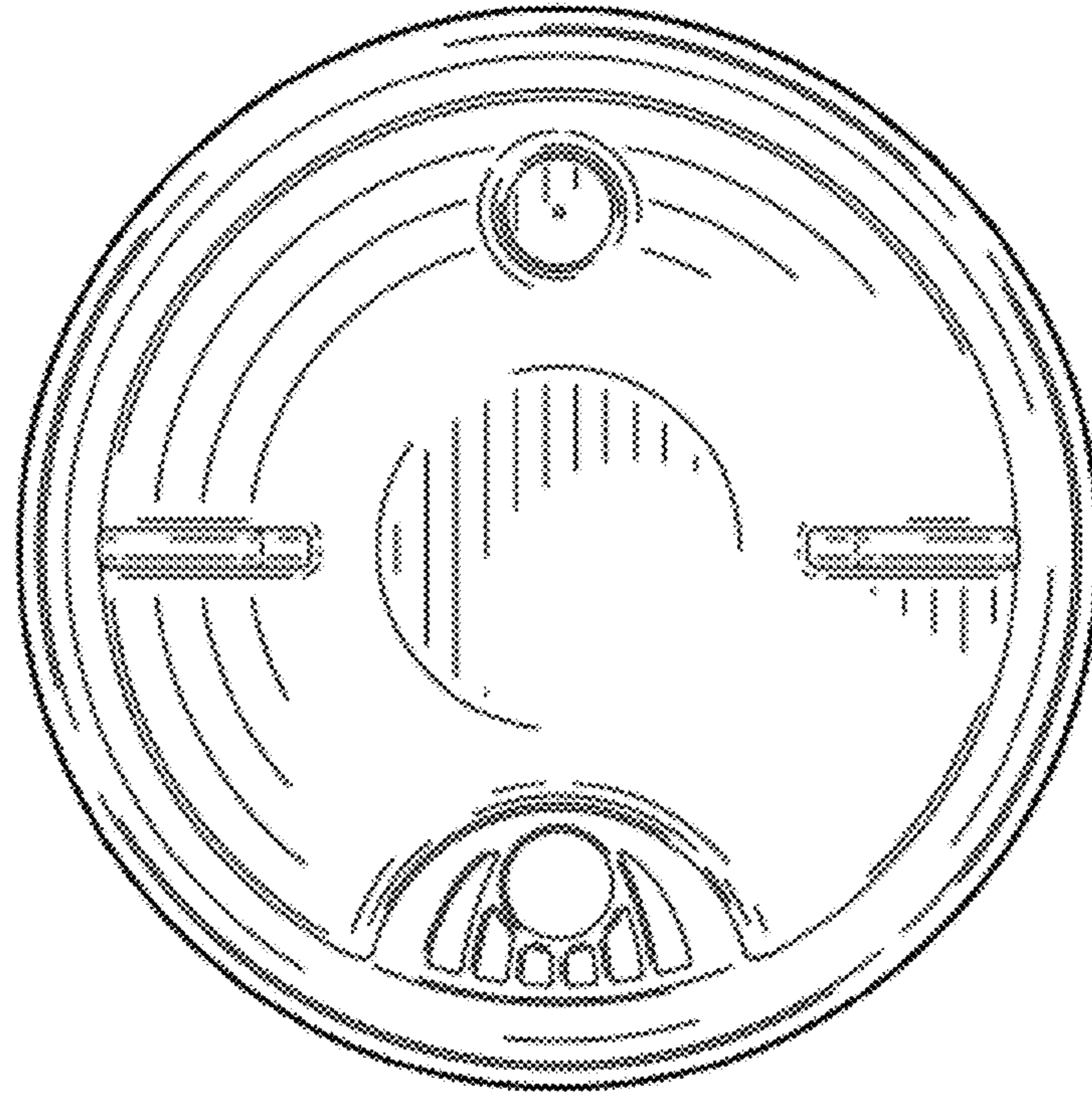


FIG. 6

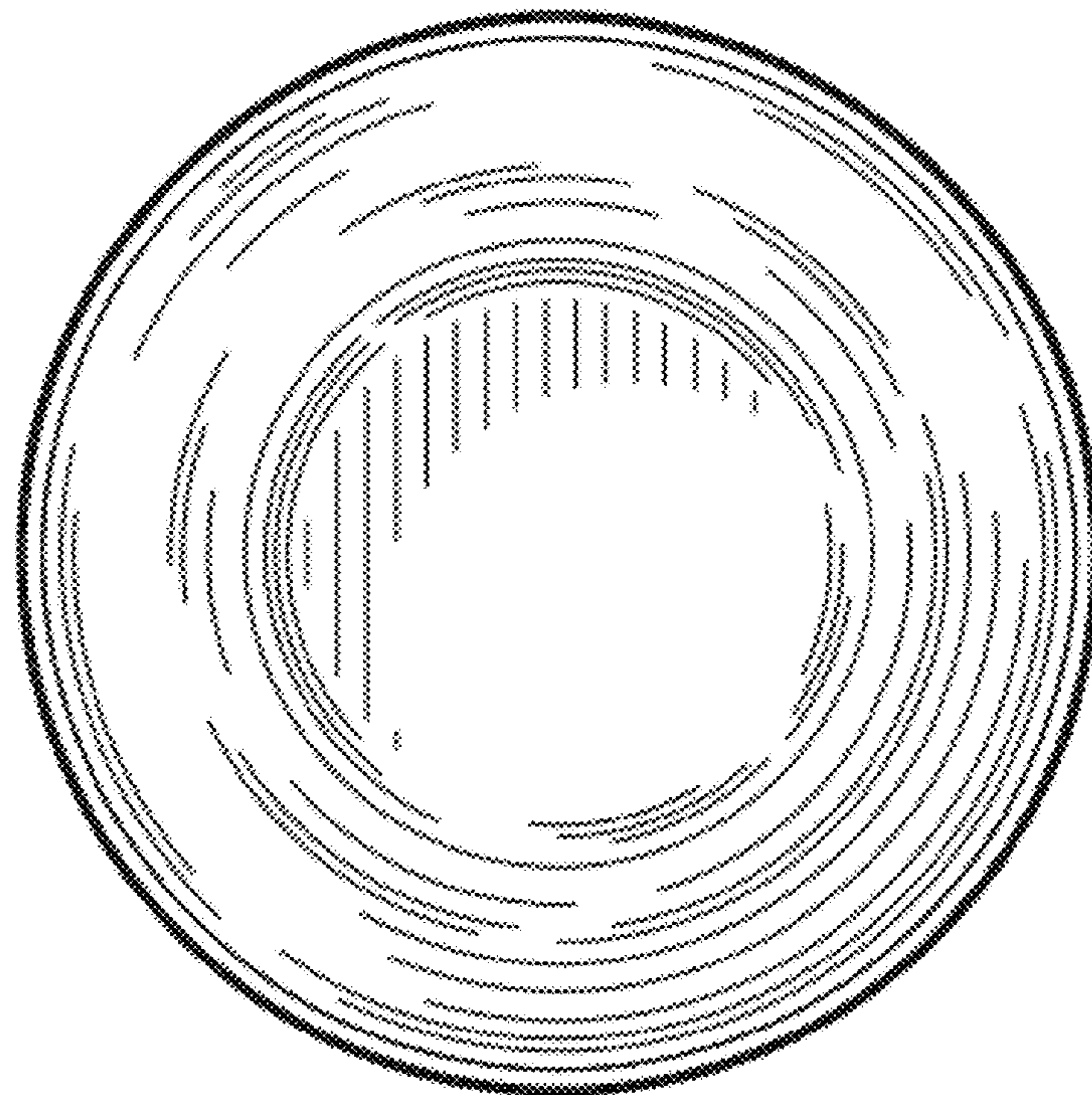


FIG. 7

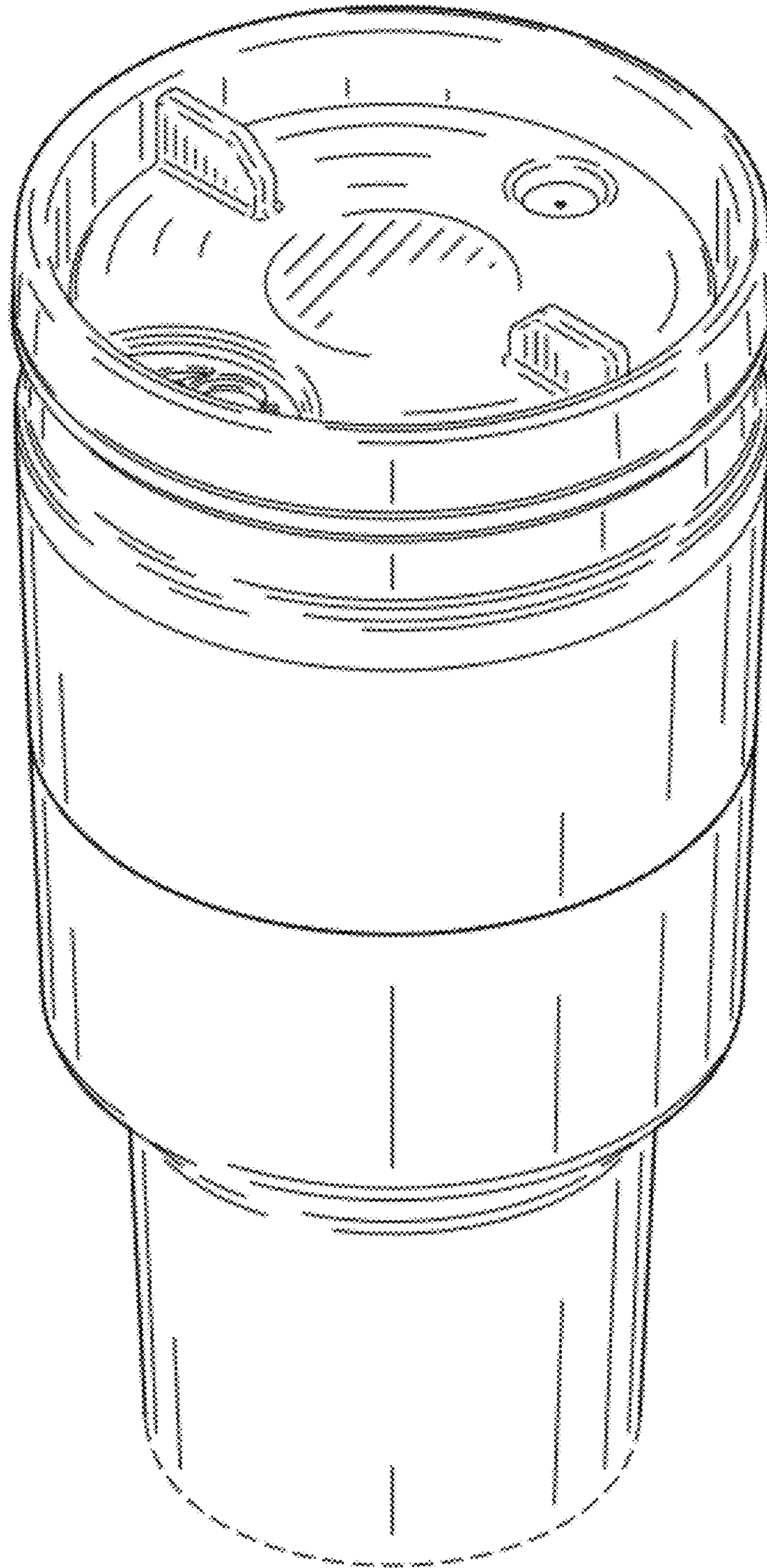


FIG. 8



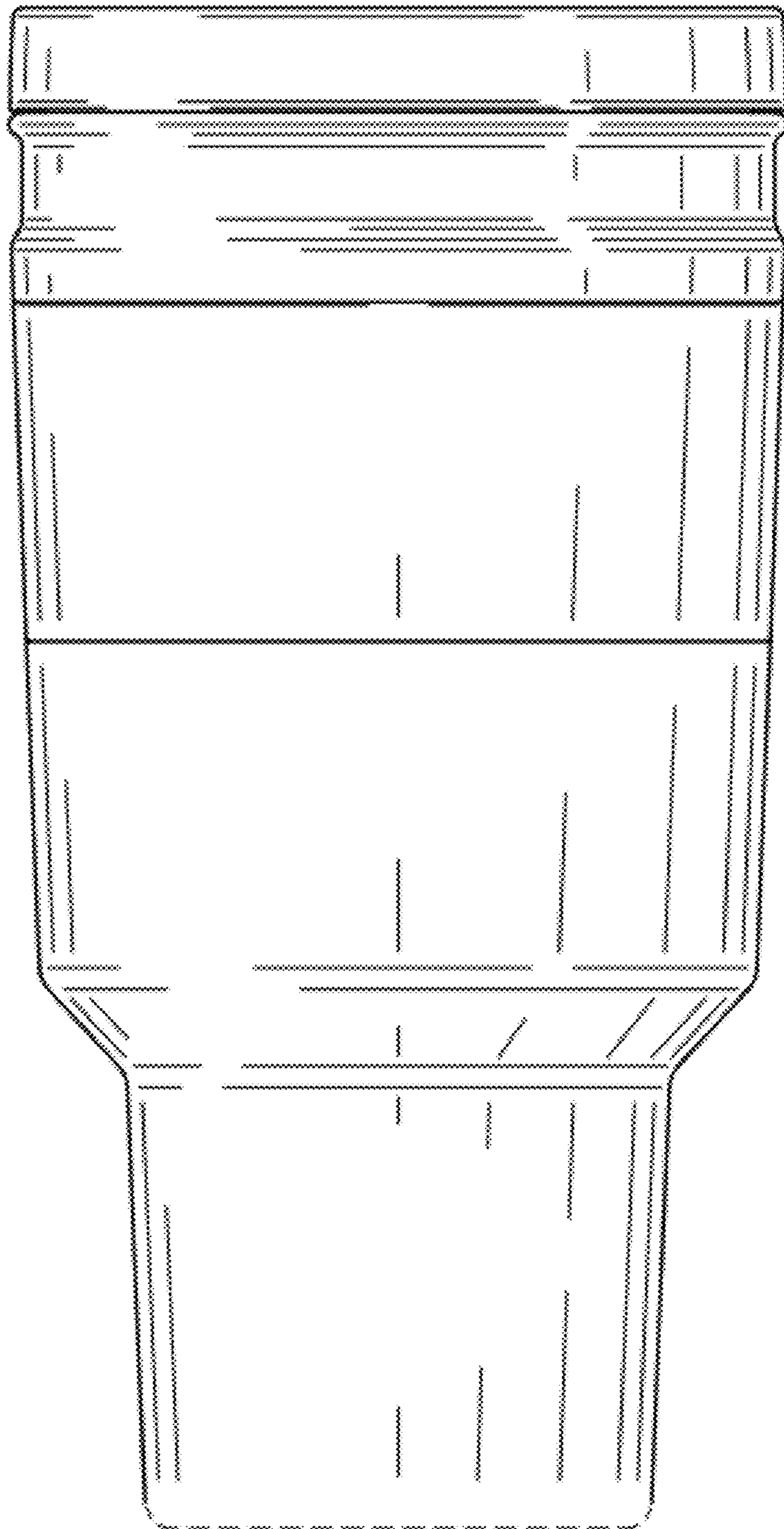


FIG. 9

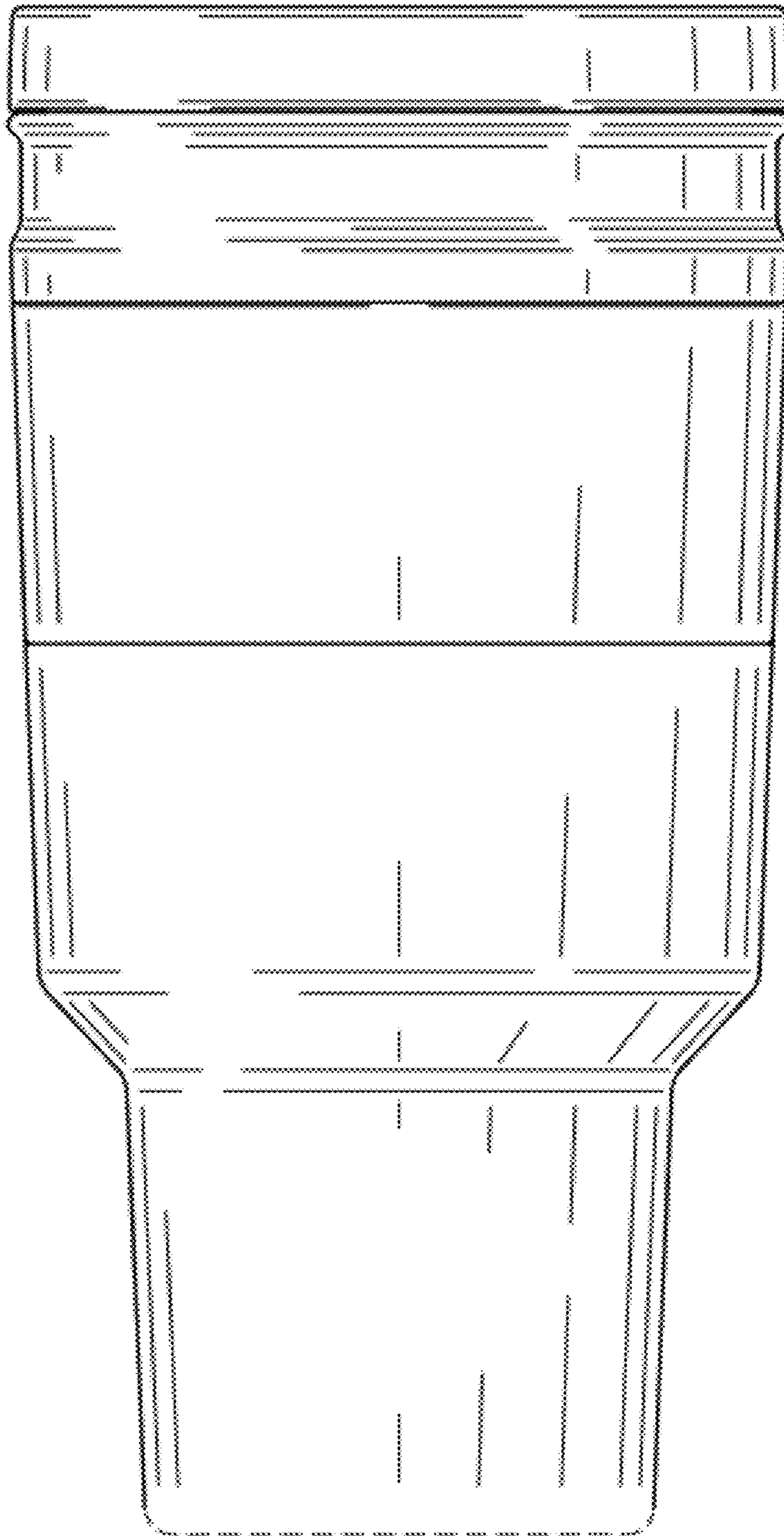


FIG.10

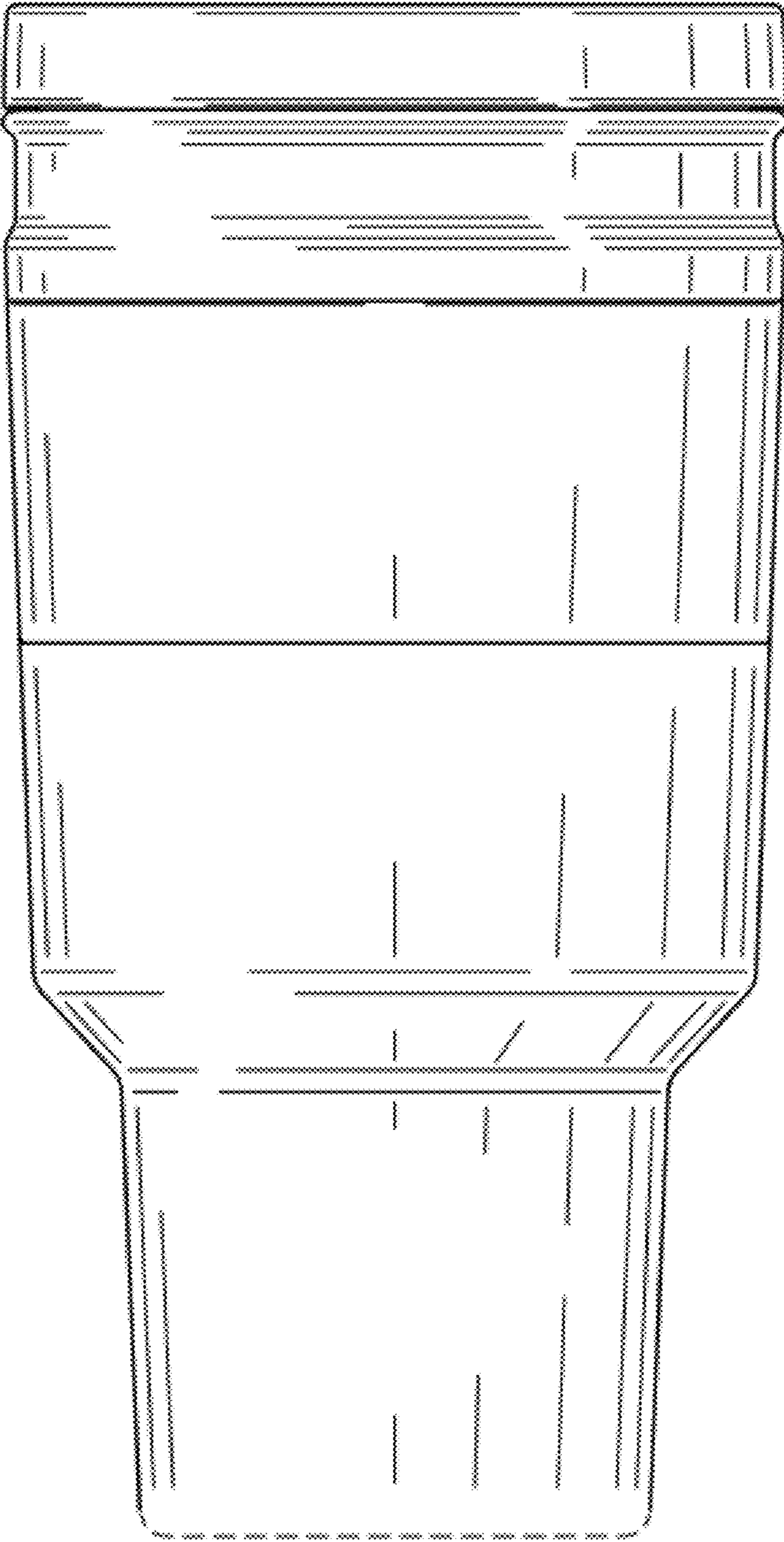


FIG.11

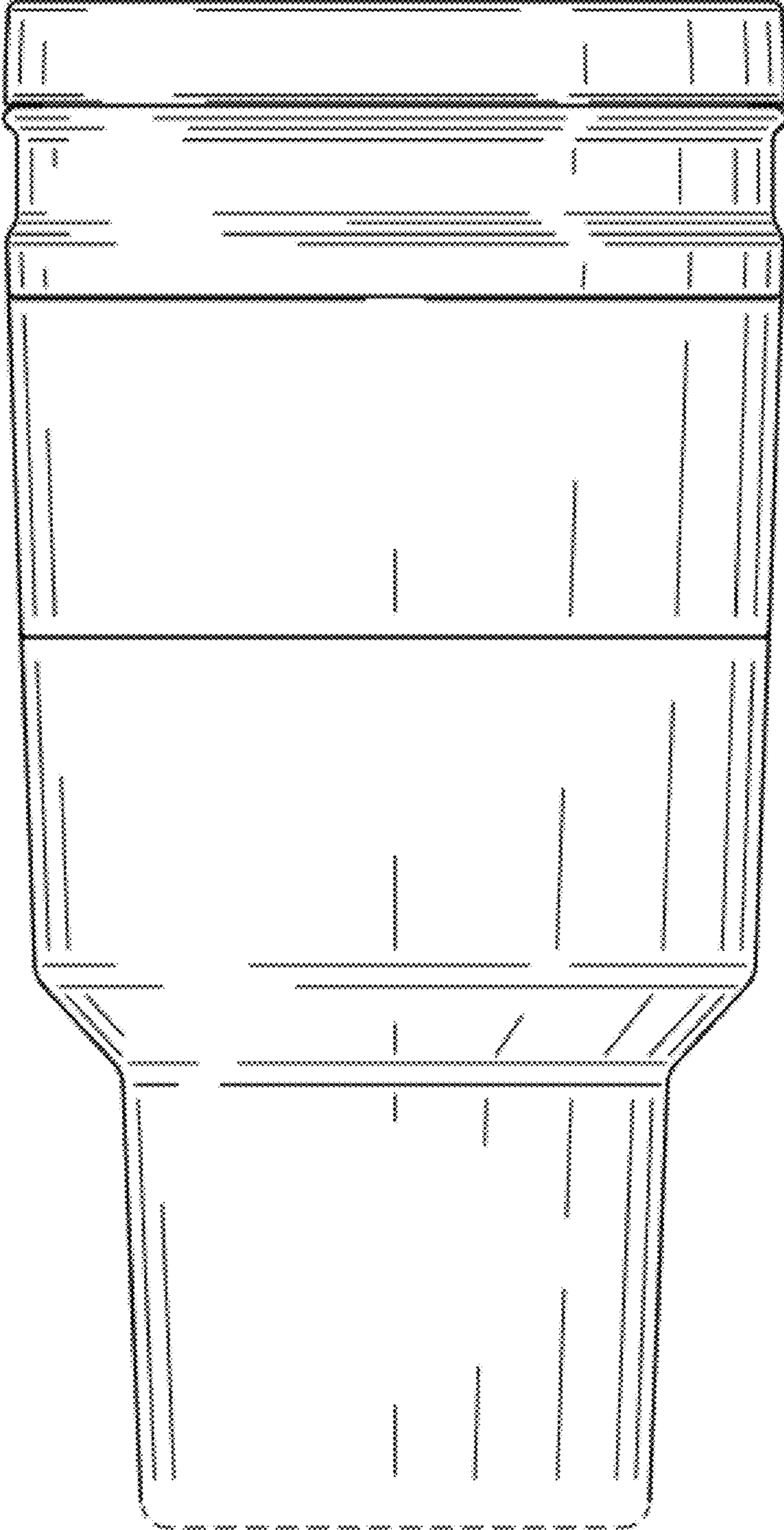


FIG.12

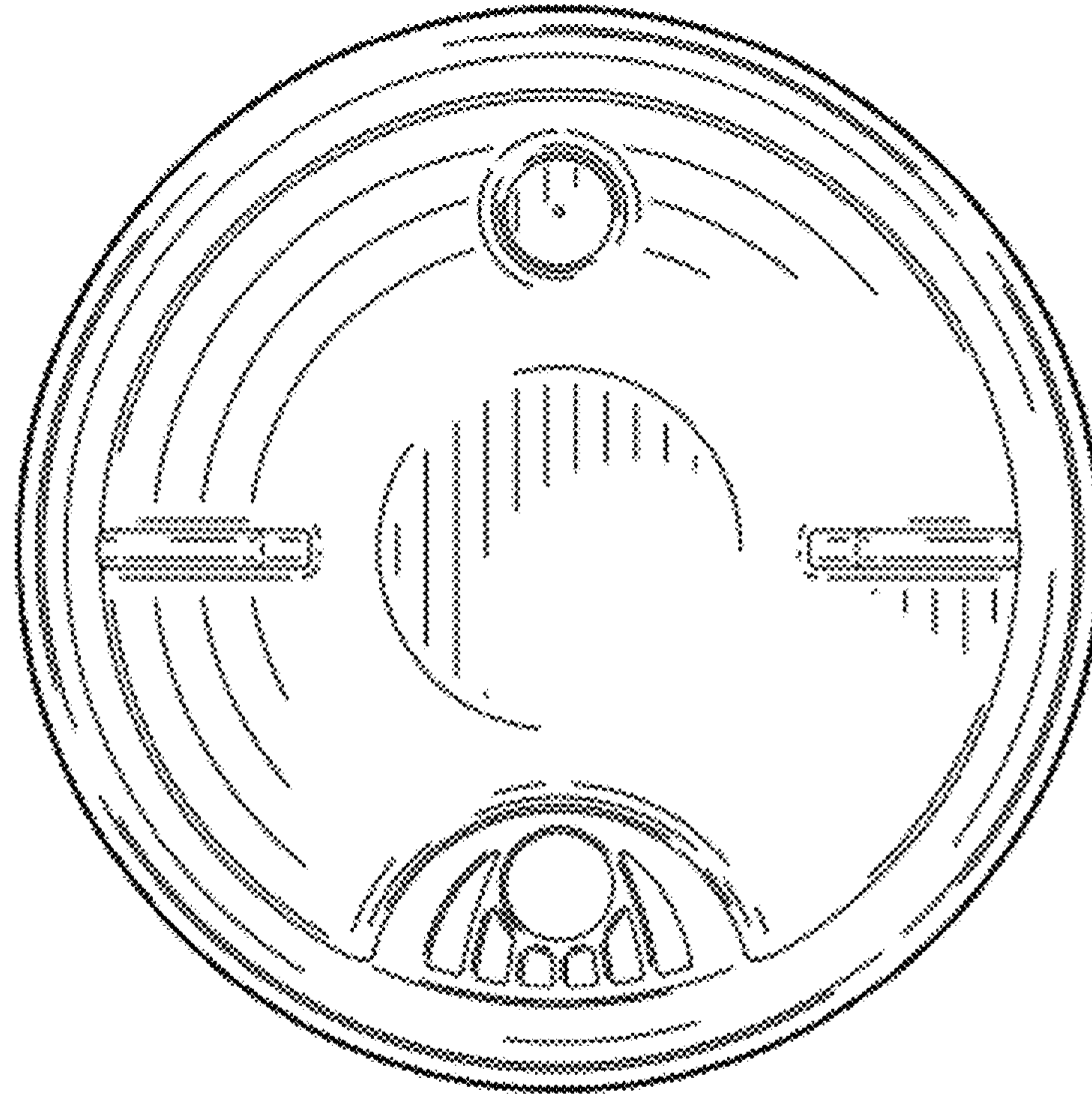


FIG.13

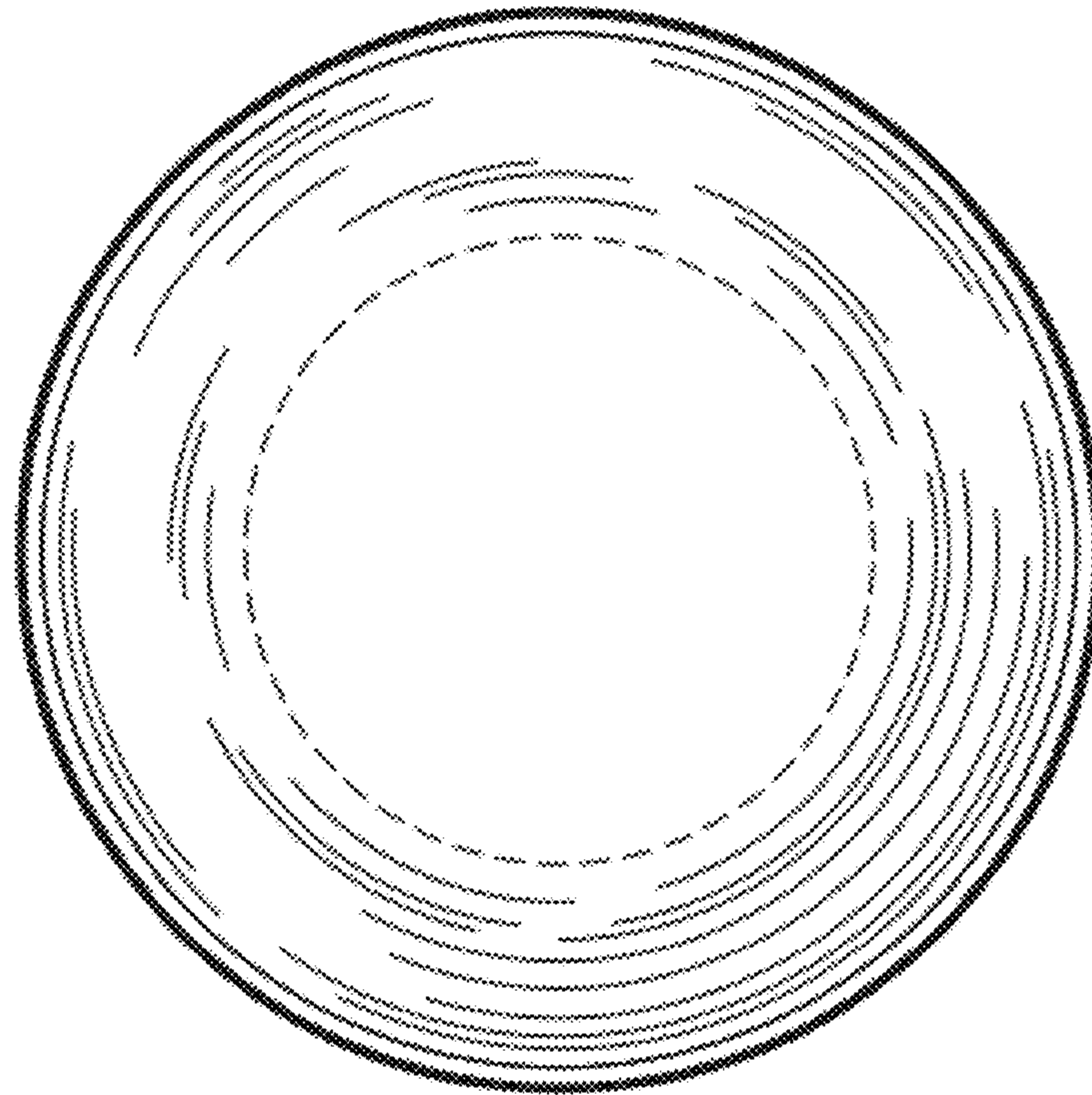


FIG.14