

US00D675062S

(12) **United States Design Patent**  
**Dunn et al.**

(10) **Patent No.:** **US D675,062 S**  
(45) **Date of Patent:** **\*\* \*Jan. 29, 2013**

(54) **CONTAINER**

(76) Inventors: **Steven B. Dunn**, Beverly Hills, CA (US); **Mark A. Hatherill**, Beverly Hills, CA (US); **Rodolfo Gastelum**, San Pedro, CA (US); **Won Song**, Porter Ranch, CA (US)

(\* ) Notice: This patent is subject to a terminal disclaimer.

(\*\*) Term: **14 Years**

(21) Appl. No.: **29/374,940**

(22) Filed: **Oct. 26, 2011**

(51) **LOC (9) Cl.** ..... **07-01**

(52) **U.S. Cl.** ..... **D7/509; D7/510; D7/511; D24/197**

(58) **Field of Classification Search** ..... D7/510,  
D7/511, 536, 300.1, 507, 300, 312, 313, 509;  
239/318; D9/719, 527, 528, 550, 438, 780,  
D9/443, 777, 549, 525, 542, 564, 569; 215/393,  
215/207, 11.1, 11.6, 388; D24/197; 220/705,  
220/709, 254.1, 717, 714, 713; 222/211,  
222/215

See application file for complete search history.

(56) **References Cited**

**U.S. PATENT DOCUMENTS**

|           |    |   |         |                   |       |          |
|-----------|----|---|---------|-------------------|-------|----------|
| D486,996  | S  | * | 2/2004  | Karp              | ..... | D7/510   |
| 6,880,713 | B2 | * | 4/2005  | Holley, Jr.       | ..... | 215/11.4 |
| D584,102  | S  | * | 1/2009  | Valderrama et al. | ..... | D7/392.1 |
| 7,651,005 | B2 | * | 1/2010  | Nguyen et al.     | ..... | 215/365  |
| D609,527  | S  | * | 2/2010  | Roehrig et al.    | ..... | D7/510   |
| D609,528  | S  | * | 2/2010  | Roehrig et al.    | ..... | D7/510   |
| D620,309  | S  | * | 7/2010  | Boonprasop        | ..... | D7/396.2 |
| D620,315  | S  | * | 7/2010  | Boonprasop        | ..... | D7/509   |
| D624,434  | S  | * | 9/2010  | Schaeffer et al.  | ..... | D9/685   |
| D628,078  | S  | * | 11/2010 | Valderrama et al. | ..... | D9/542   |

|              |    |   |         |                   |       |         |
|--------------|----|---|---------|-------------------|-------|---------|
| D642,437     | S  | * | 8/2011  | Schofield et al.  | ..... | D7/510  |
| D644,067     | S  | * | 8/2011  | Valderrama et al. | ..... | D7/534  |
| D656,788     | S  | * | 4/2012  | Sakulsacha        | ..... | D7/510  |
| 2009/0242562 | A1 | * | 10/2009 | Valderrama et al. | ..... | 220/288 |

**OTHER PUBLICATIONS**

U.S. Appl. No. 13/192,438, filed Jul. 27, 2011, Steven B. Dunn, et. al.  
U.S. Appl. No. 13/192,440, filed Jul. 27, 2011, Steven B. Dunn, et. al.  
U.S. Appl. No. 13/192,441, filed Jul. 27, 2011, Steven B. Dunn, et. al.

\* cited by examiner

*Primary Examiner* — Marianne Pandozzi

(74) *Attorney, Agent, or Firm* — Robert Z. Evora, Esq.

(57) **CLAIM**

The ornamental design for a container, as shown and described.

**DESCRIPTION**

This Design patent application is related to the following commonly owned applications: U.S. patent application Ser. No. 13/192,438, entitled "Lids For Spillproof Container Assemblies" filed Jul. 27, 2011; U.S. patent application Ser. No. 13/192,440, entitled "Cups For Spillproof Container Assemblies" filed Jul. 27, 2011; and U.S. patent application Ser. No. 13/192,441, entitled "Spillproof Container Assemblies" filed Jul. 27, 2011.

FIG. 1 is a perspective view of a container showing our new design;

FIG. 2 is a front view of the container;

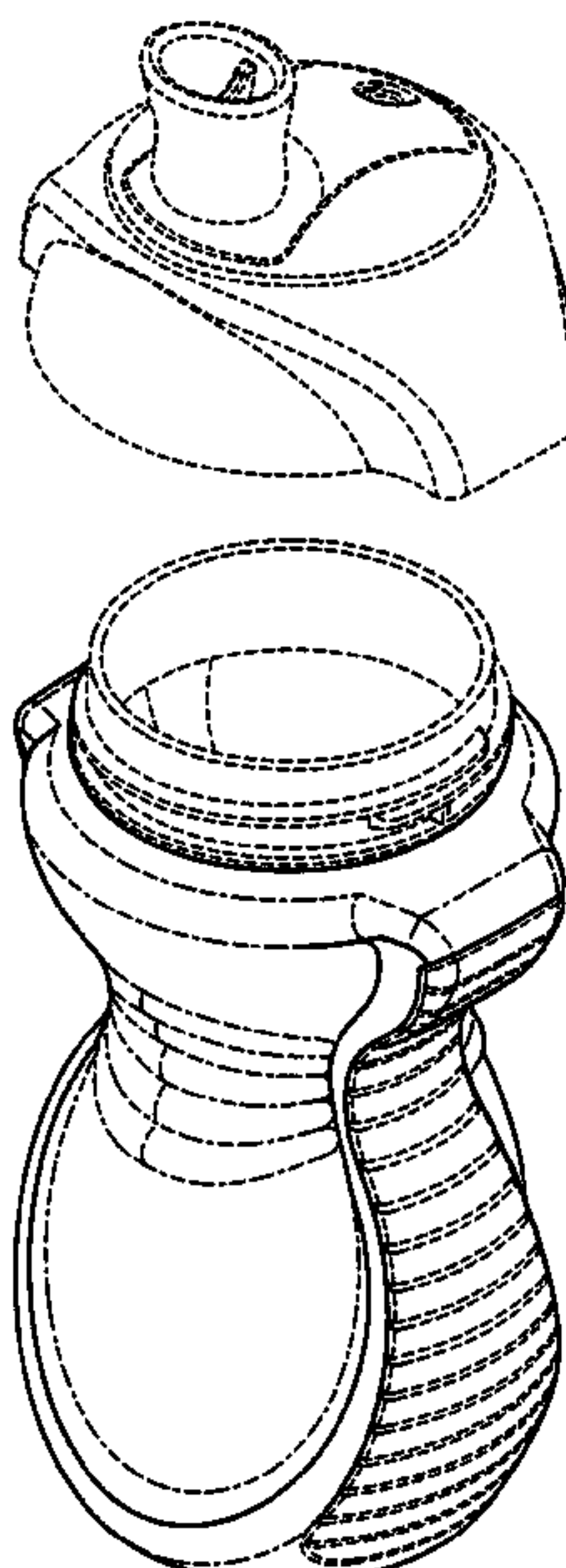
FIG. 3 is a side view of the container;

FIG. 4 is a bottom view of the container; and,

FIG. 5 is a top view of the container.

The broken lines shown in the drawings represent environmental structure in figures that form no part of the claimed design.

**1 Claim, 2 Drawing Sheets**



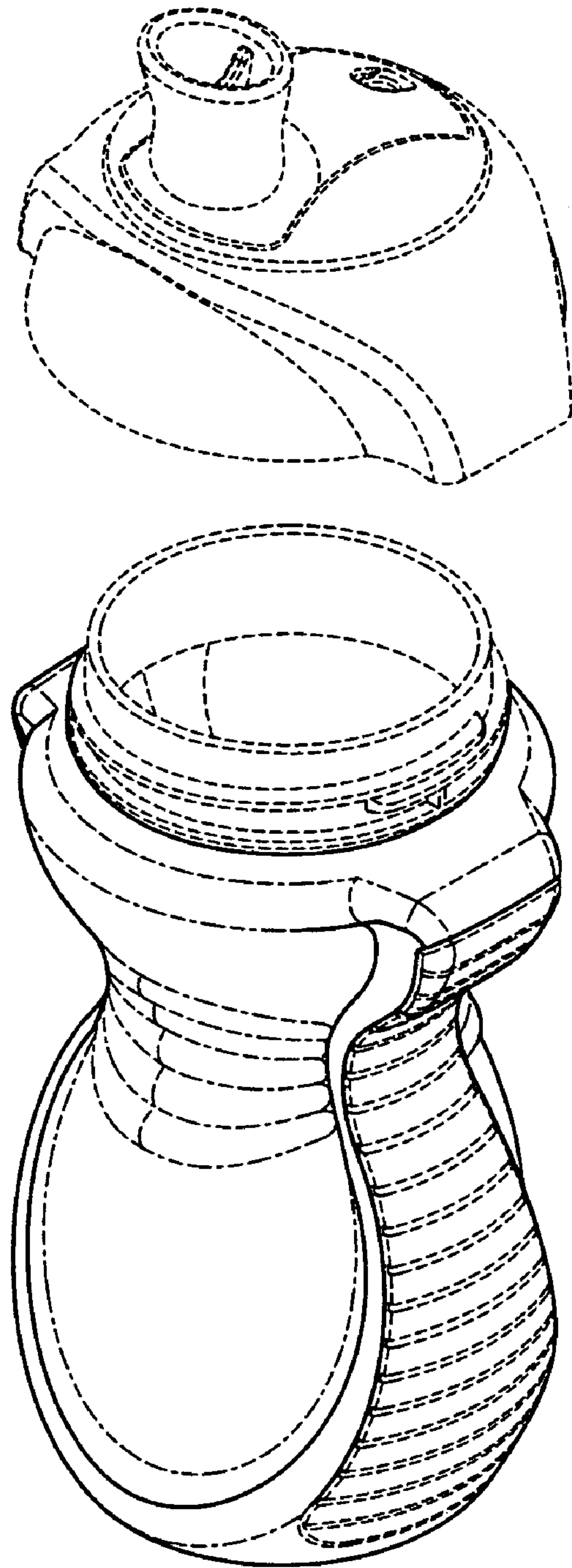


FIG. 1

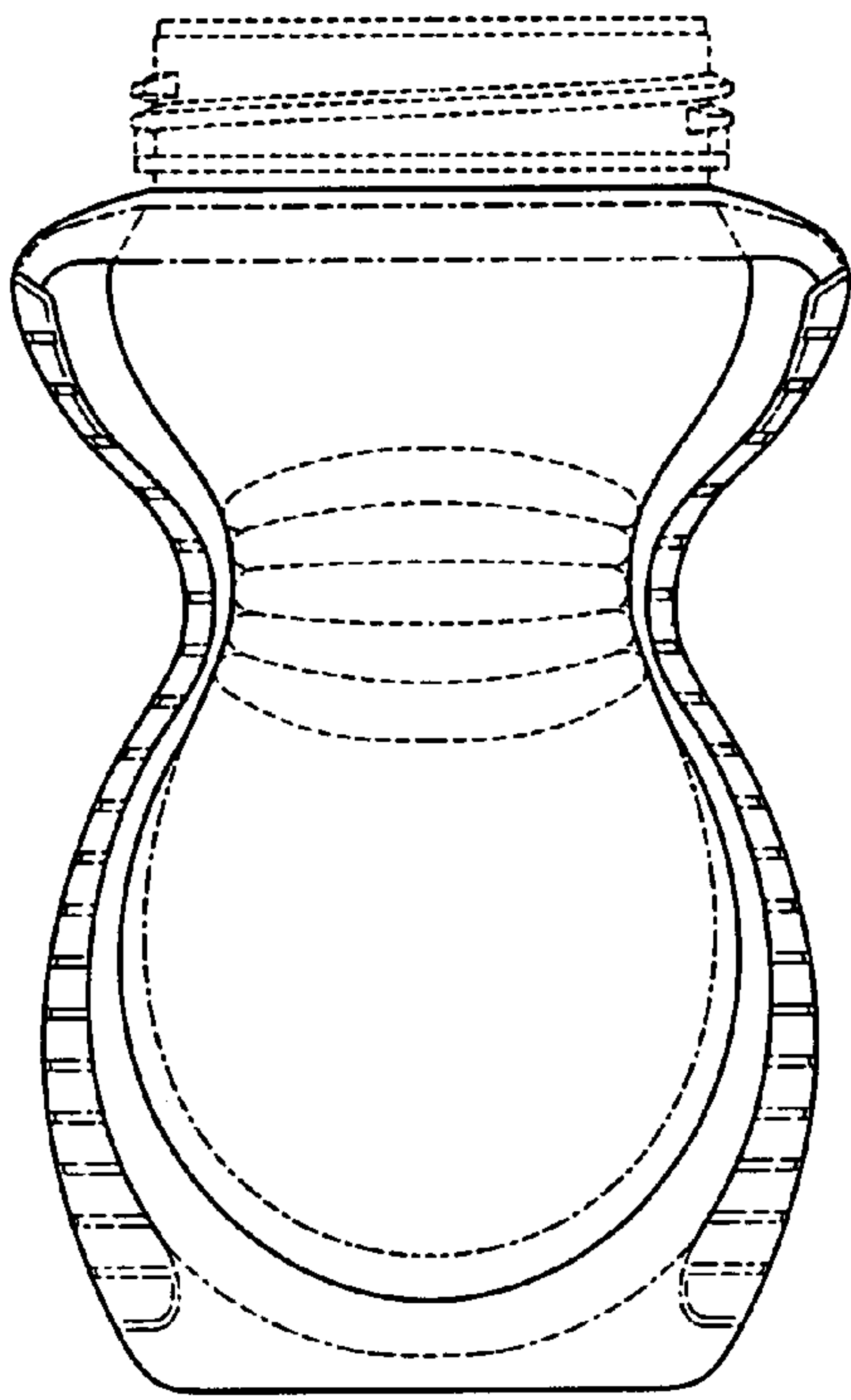


FIG. 2

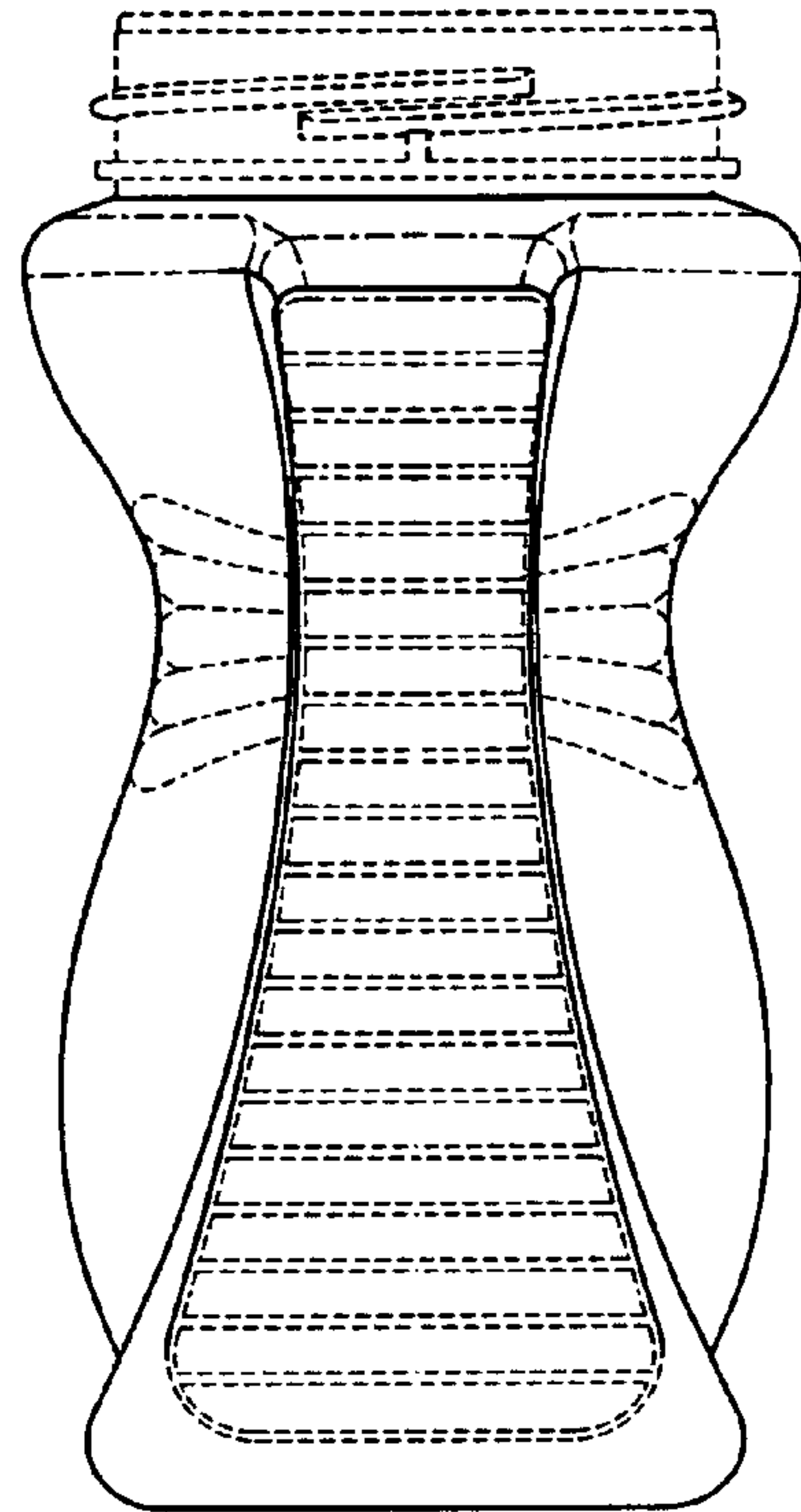


FIG. 3

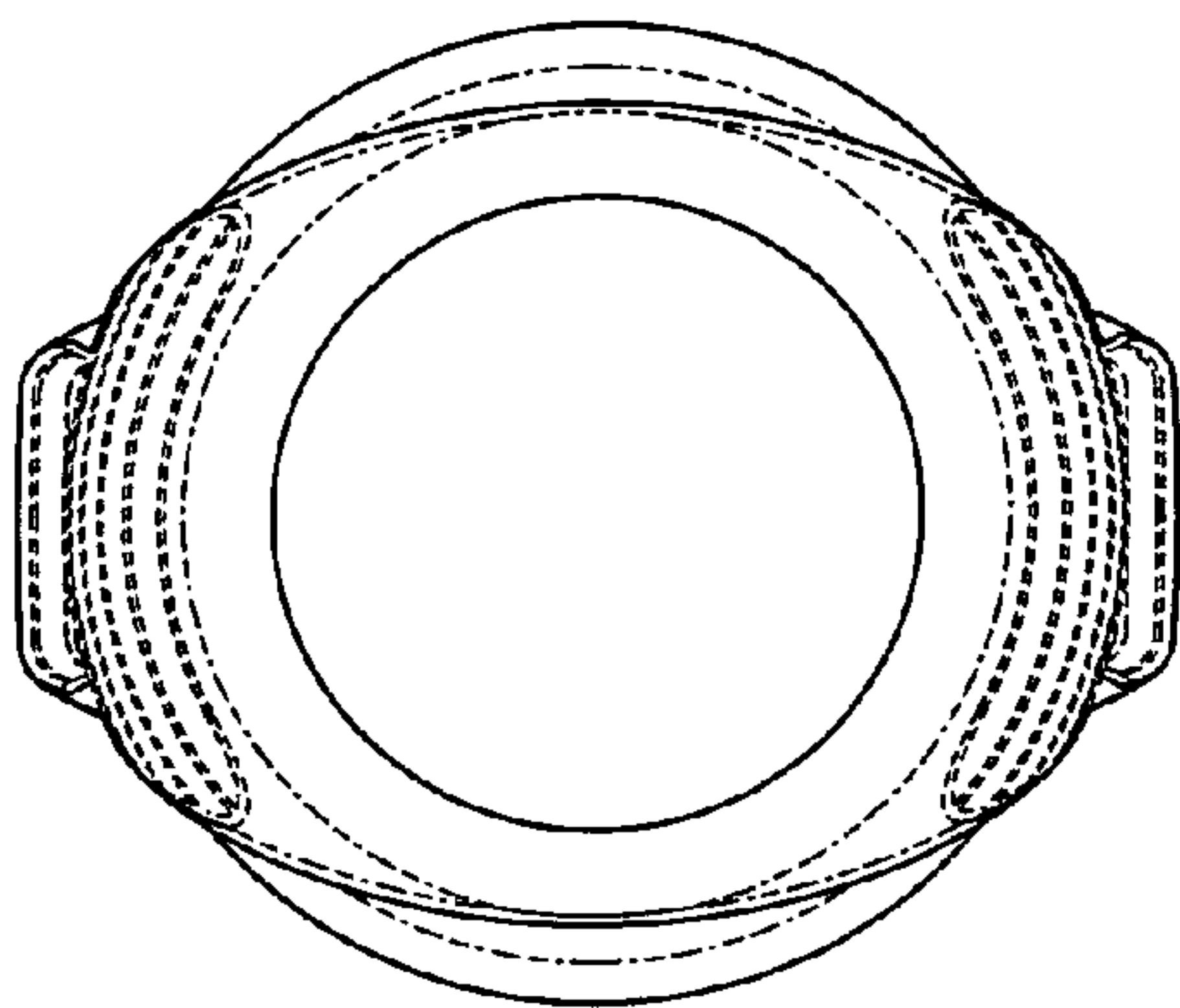


FIG. 4

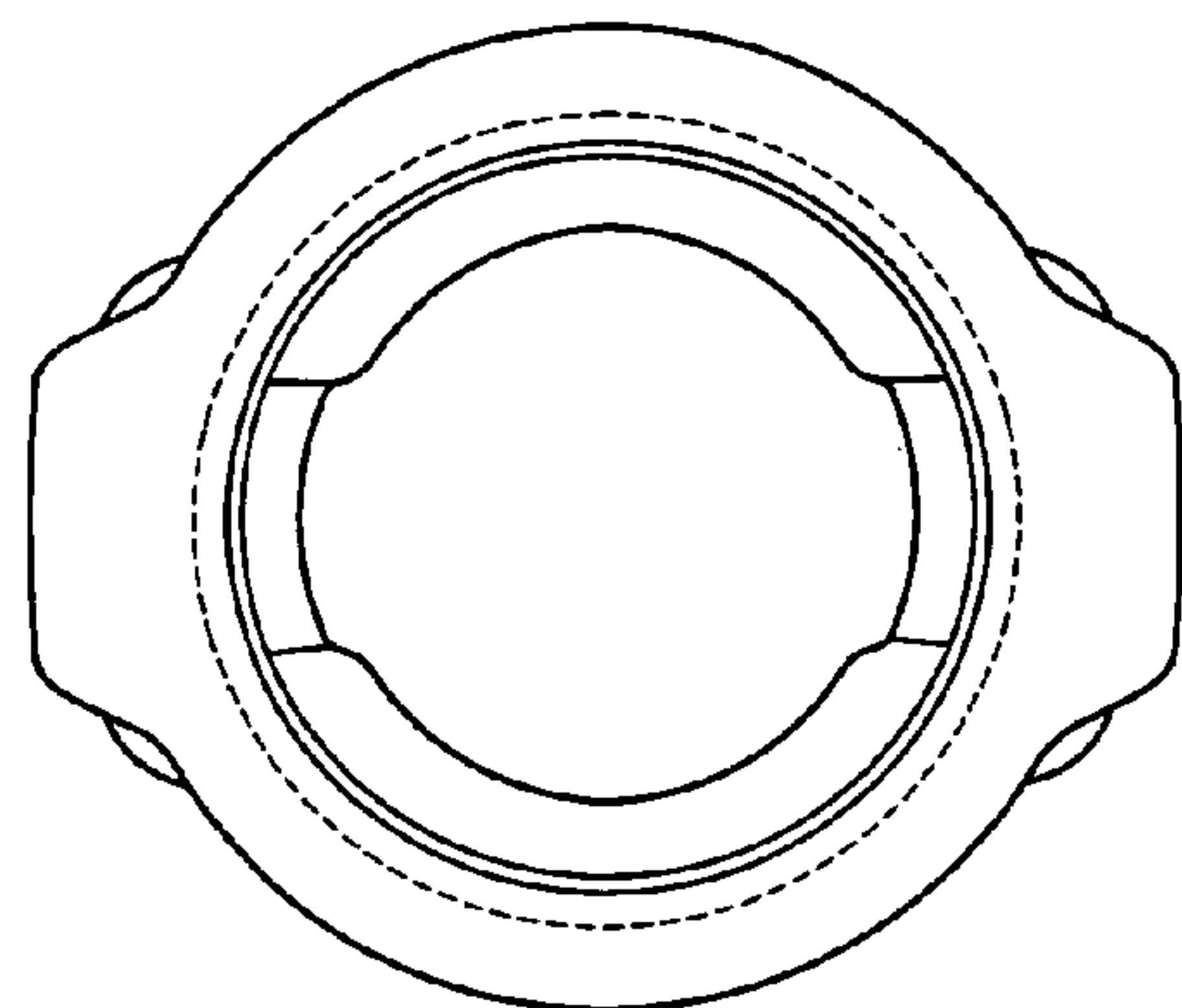


FIG. 5