



US00D675061S

(12) **United States Design Patent**
Sacherman

(10) **Patent No.:** **US D675,061 S**
(45) **Date of Patent:** **** Jan. 29, 2013**

(54) **OUTDOOR BARBEQUE GRILL LID**

(75) Inventor: **James Sacherman**, Genoa, NV (US)

(73) Assignee: **Headwater Holding Company Ltd.**,
George Town (KY)

(**) Term: **14 Years**

(21) Appl. No.: **29/382,066**

(22) Filed: **Dec. 28, 2010**

(51) **LOC (9) Cl.** **07-02**

(52) **U.S. Cl.** **D7/402**

(58) **Field of Classification Search** D7/332,
D7/334-337, 402-405, 338, 417; 126/25 R,
126/25 A, 25 AA, 25 B, 273 R, 9 R, 38, 40,
126/50, 9 B, 48, 29-30, 43-44, 26, 372, 314,
126/307 R, 312, 292; 99/339, 448, 449,
99/481-482, 516, 340-341; 431/331
See application file for complete search history.

(56) **References Cited**

U.S. PATENT DOCUMENTS

5,044,352	A	9/1991	Lok	
5,934,180	A *	8/1999	Lin	99/340
6,024,082	A *	2/2000	Straubel et al.	126/41 R
6,112,372	A	9/2000	Zhou et al.	
6,131,505	A *	10/2000	Lin	99/340

(Continued)

Primary Examiner — Ruth McInroy

(74) *Attorney, Agent, or Firm* — Haverstock & Owens LLP

(57) **CLAIM**

I claim the ornamental design for an outdoor barbeque grill lid, as shown and described.

DESCRIPTION

FIG. 1 is a top perspective view of the outdoor barbeque grill lid in a closed position;

FIG. 2 is a front view of the outdoor barbeque grill lid in the closed position;

FIG. 3 is a back view of the outdoor barbeque grill lid in the closed position;

FIG. 4 is a right side view of the outdoor barbeque grill lid in the closed position;

FIG. 5 is a left side view of the outdoor barbeque grill lid in the closed position;

FIG. 6 is a top view of the outdoor barbeque grill lid in the closed position;

FIG. 7 is a bottom view of the outdoor barbeque grill lid in the closed position;

FIG. 8 is a top perspective view of the outdoor barbeque grill lid in a partially open position;

FIG. 9 is a front view of the outdoor barbeque grill lid in the partially open position;

FIG. 10 is a back view of the outdoor barbeque grill lid in the partially open position;

FIG. 11 is a right side view of the outdoor barbeque grill lid in the partially open position;

FIG. 12 is a left side view of the outdoor barbeque grill lid in the partially open position;

FIG. 13 is a top view of the outdoor barbeque grill lid in the partially open position;

FIG. 14 is a bottom view of the outdoor barbeque grill lid in the partially open position;

FIG. 15 is a top perspective view of the outdoor barbeque grill lid in a fully open position;

FIG. 16 is a front view of the outdoor barbeque grill lid in the fully open position;

FIG. 17 is a back view of the outdoor barbeque grill lid in the fully open position;

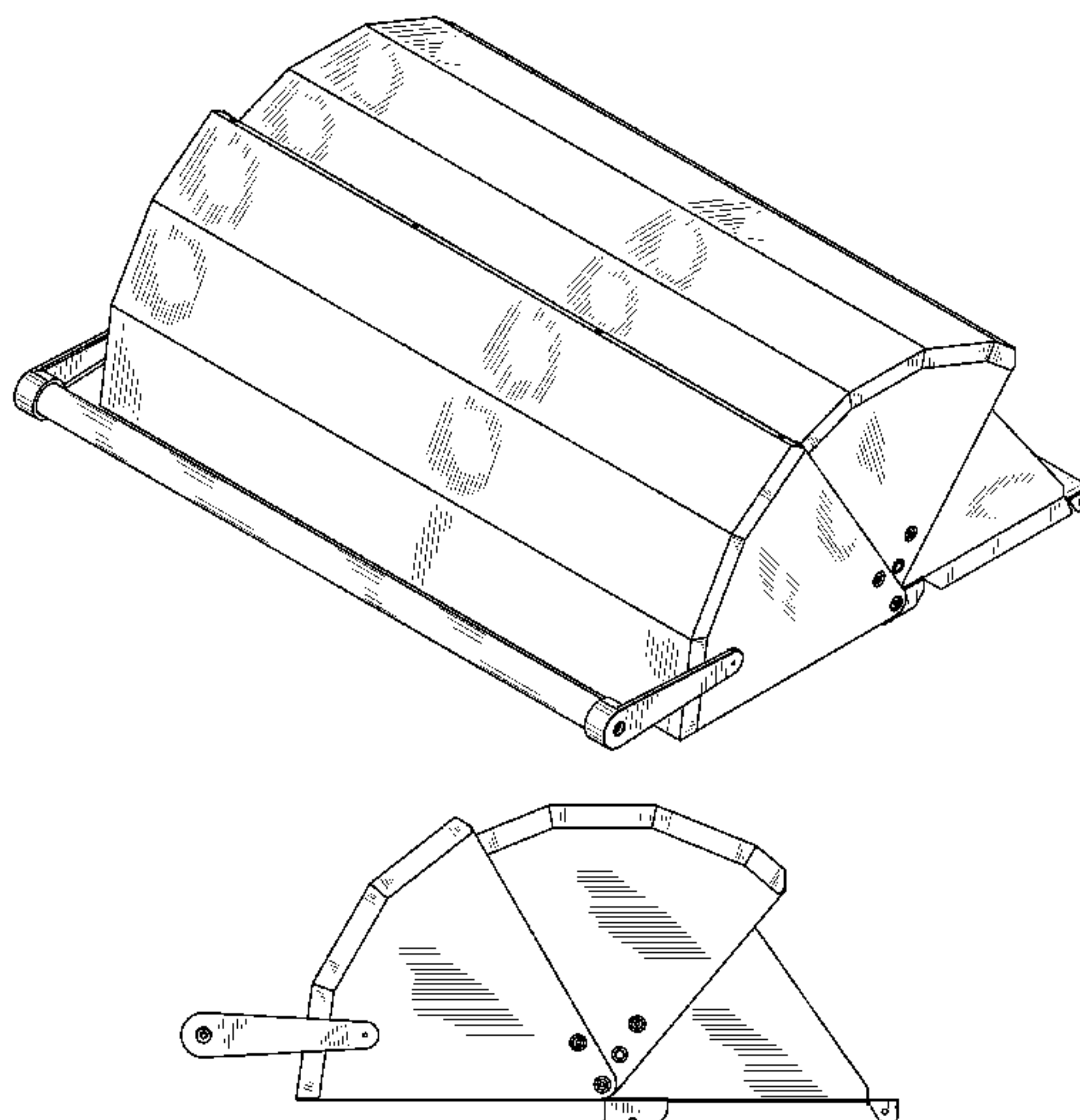
FIG. 18 is a right side view of the outdoor barbeque grill lid in the fully open position;

FIG. 19 is a left side view of the outdoor barbeque grill lid in the fully open position;

FIG. 20 is a top view of the outdoor barbeque grill lid in the fully open position; and,

FIG. 21 is a bottom view of the outdoor barbeque grill lid in the fully open position.

1 Claim, 13 Drawing Sheets



US D675,061 S

Page 2

U.S. PATENT DOCUMENTS

D447,000	S	*	8/2001	Knowles	D7/402	2006/0011192	A1	1/2006	Citrynell et al.	
D451,333	S	*	12/2001	Hsu	D7/350.4	2007/0175467	A1*	8/2007	Liu 126/25 R
D517,853	S	*	3/2006	Mata, Jr.	D7/332	2009/0199841	A1*	8/2009	Tsung 126/25 R
7,059,318	B2		6/2006	Cornfield							

* cited by examiner

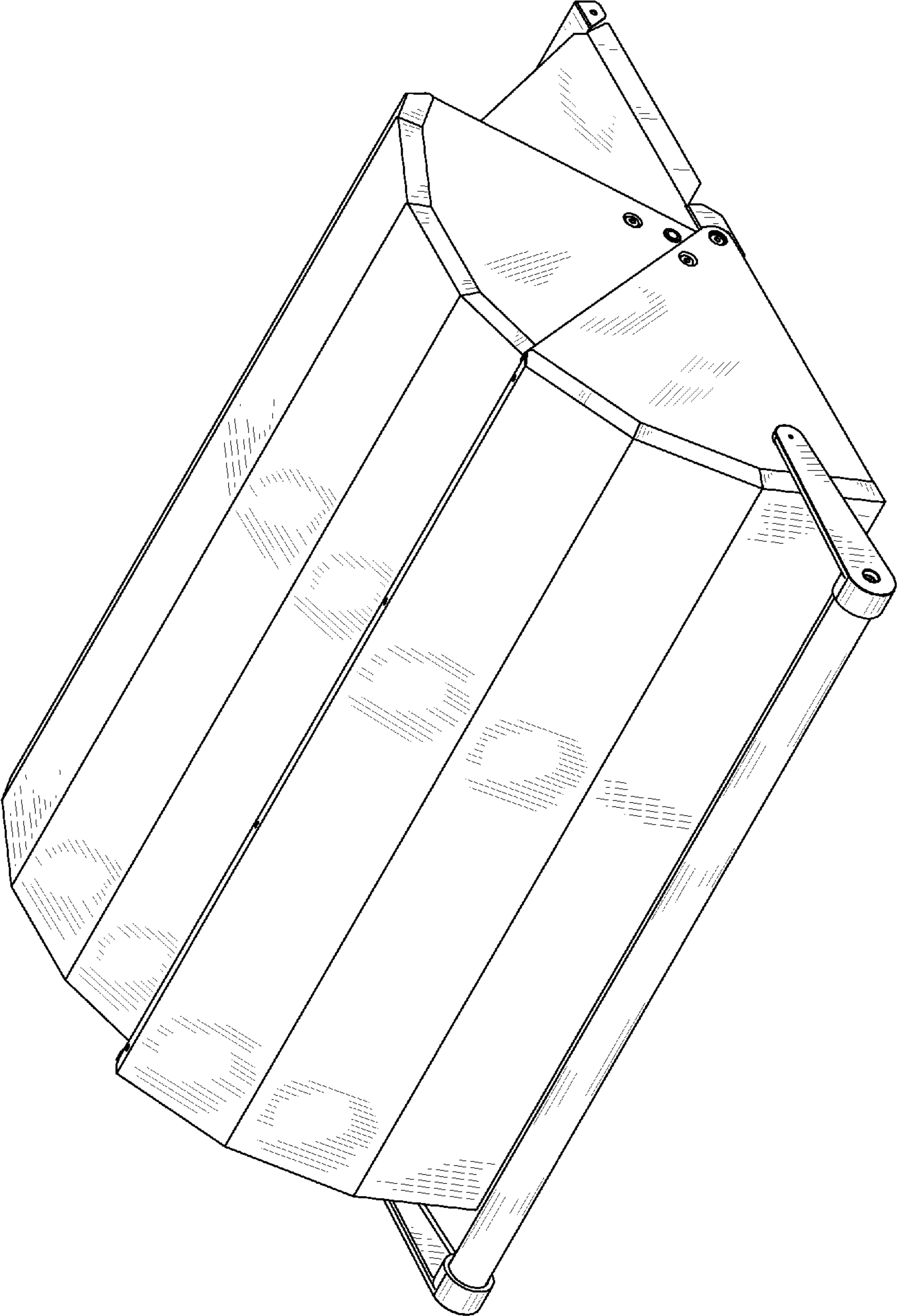


Fig. 1

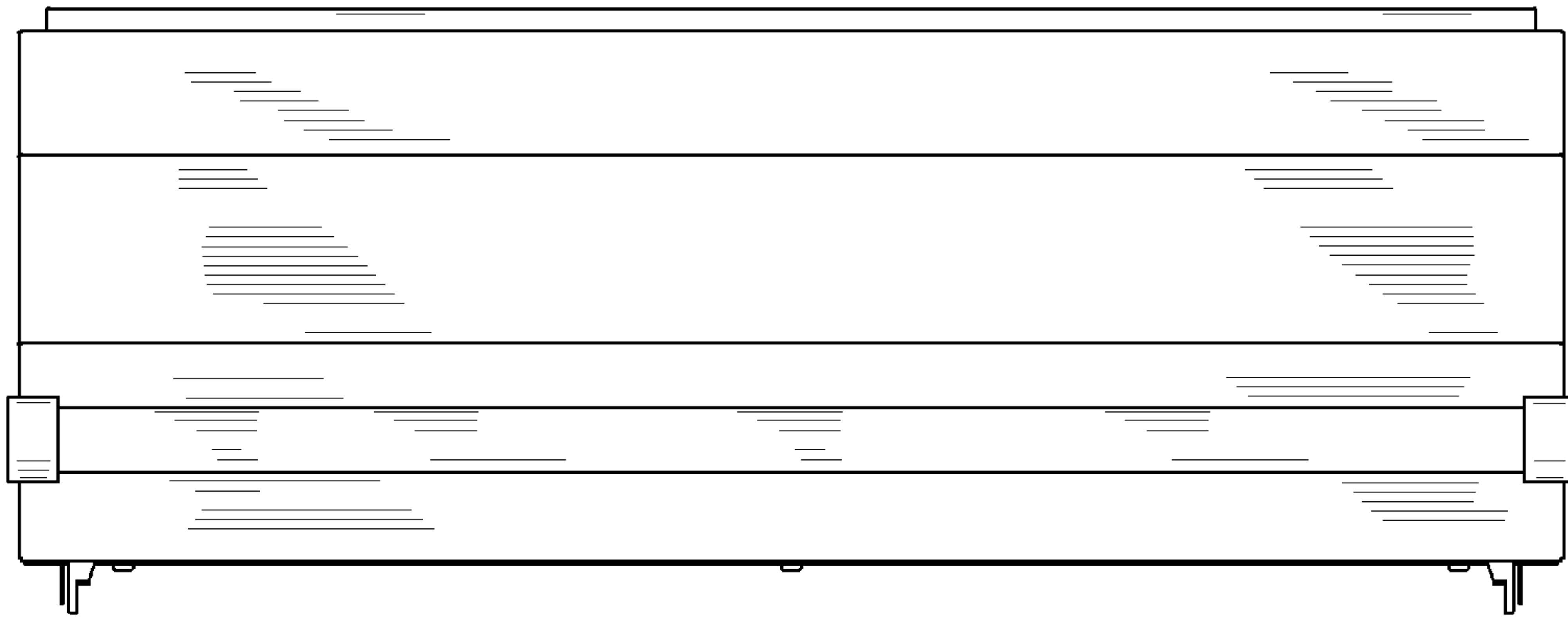


Fig. 2

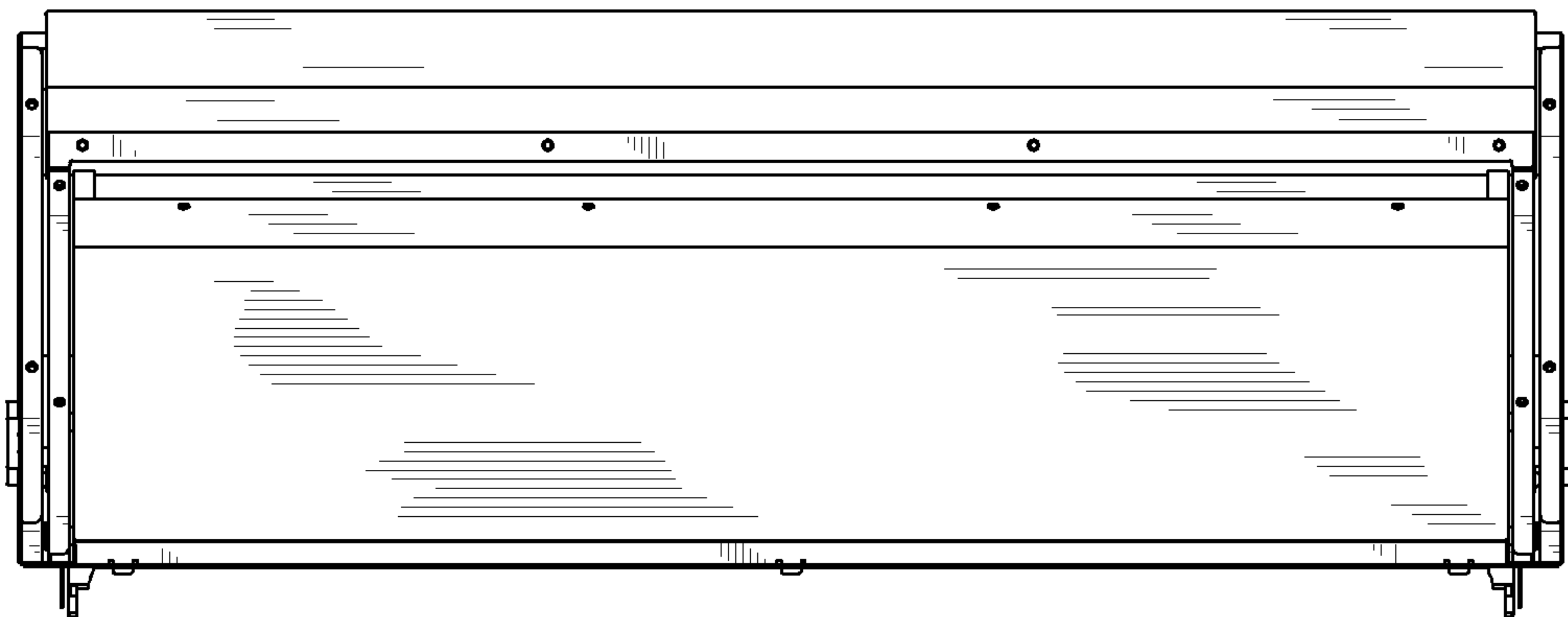


Fig. 3

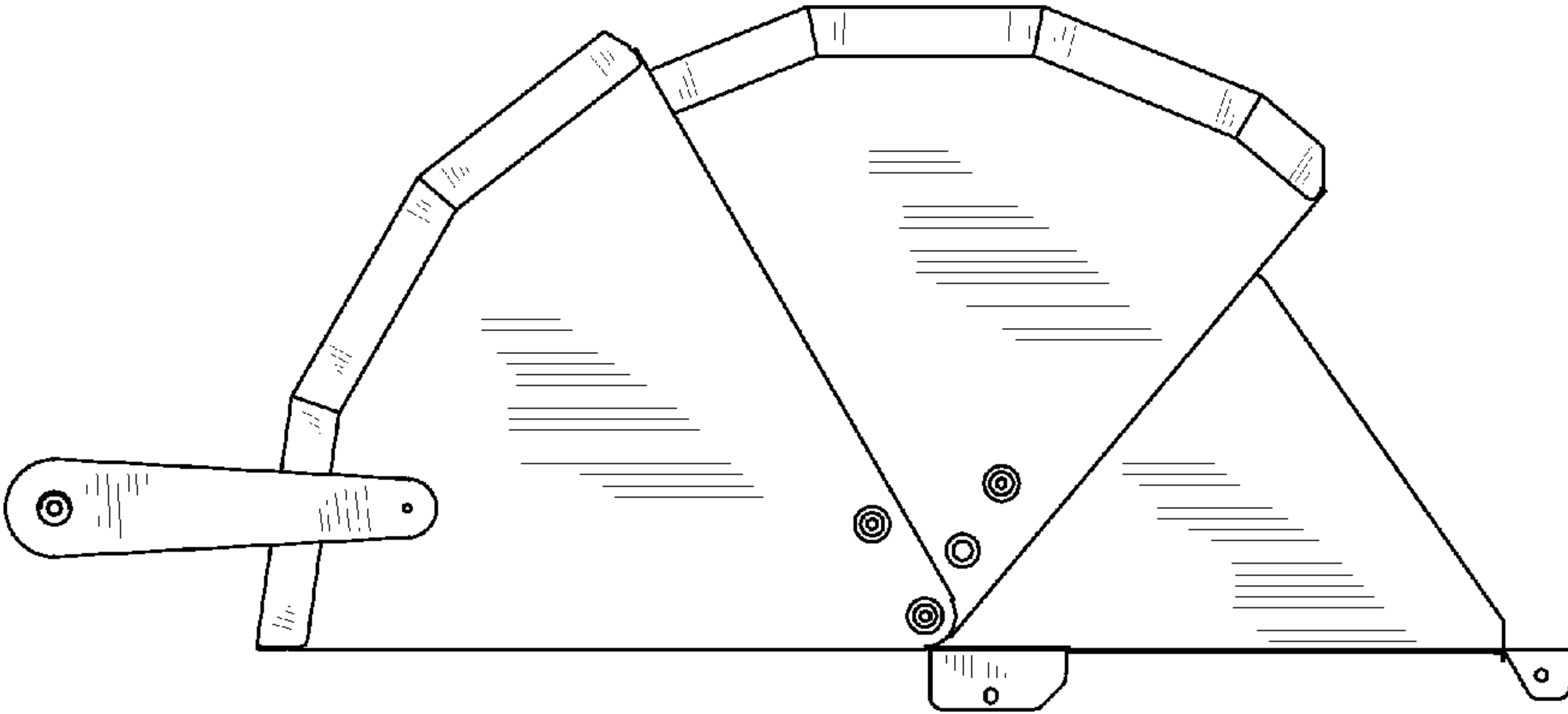


Fig. 4

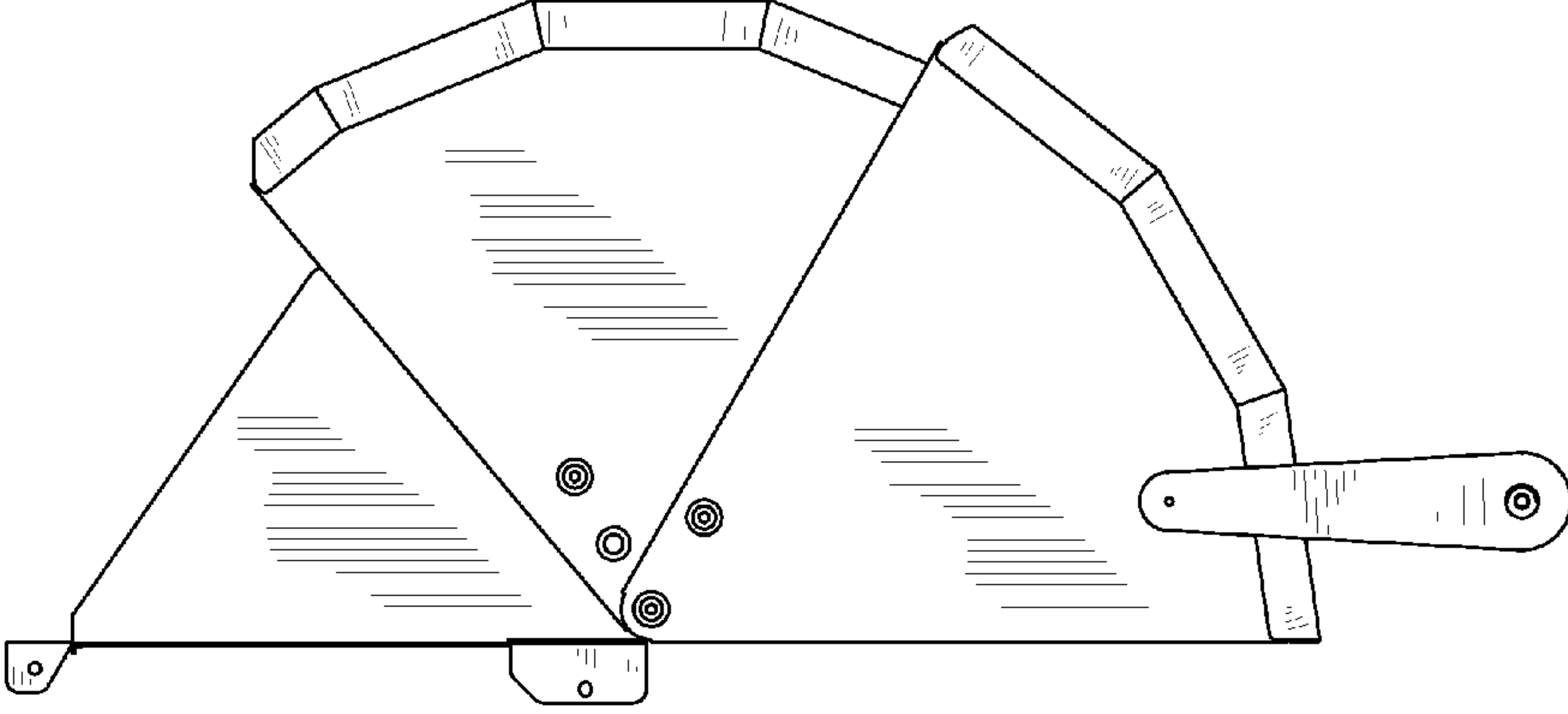


Fig. 5

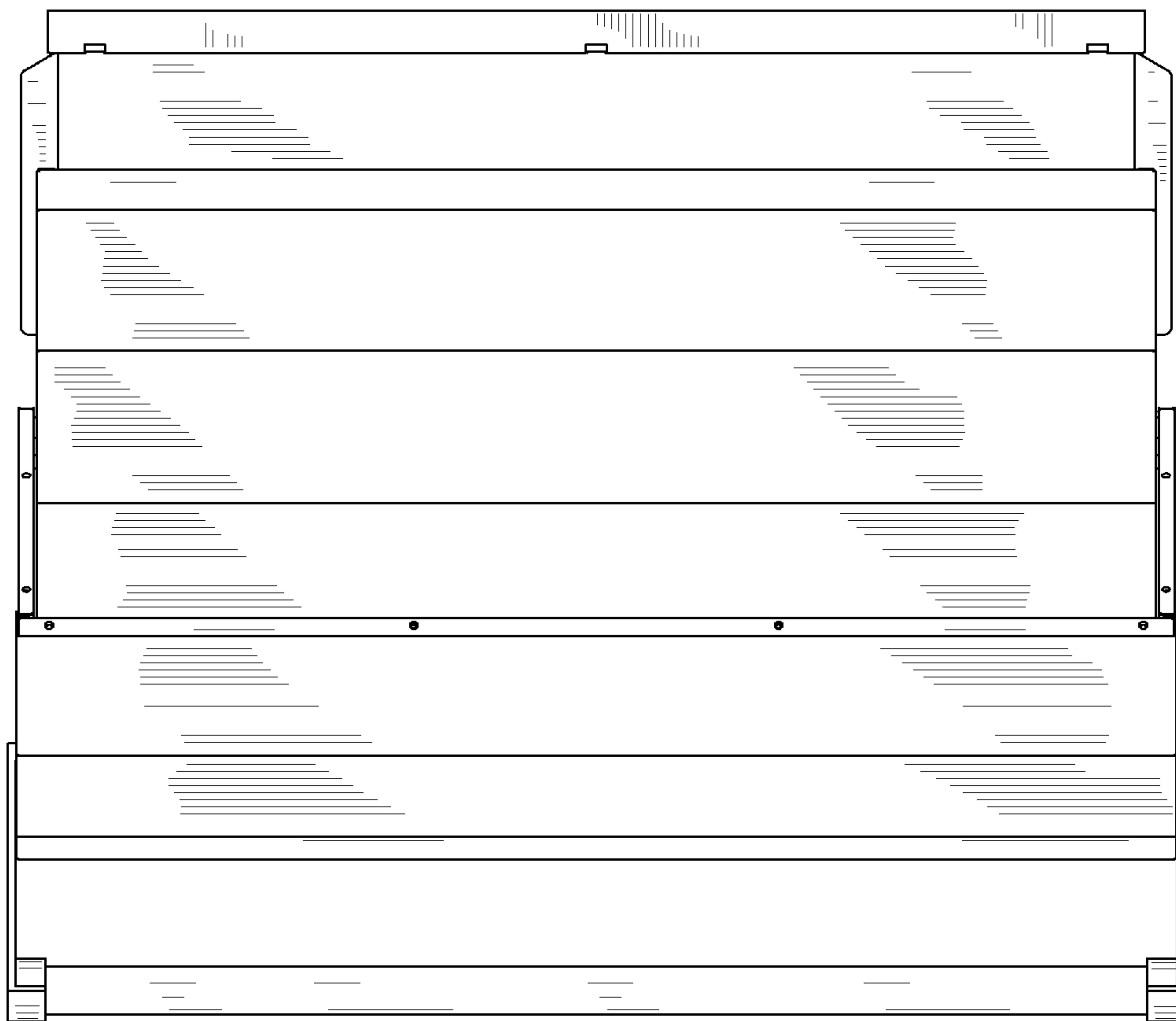


Fig. 6

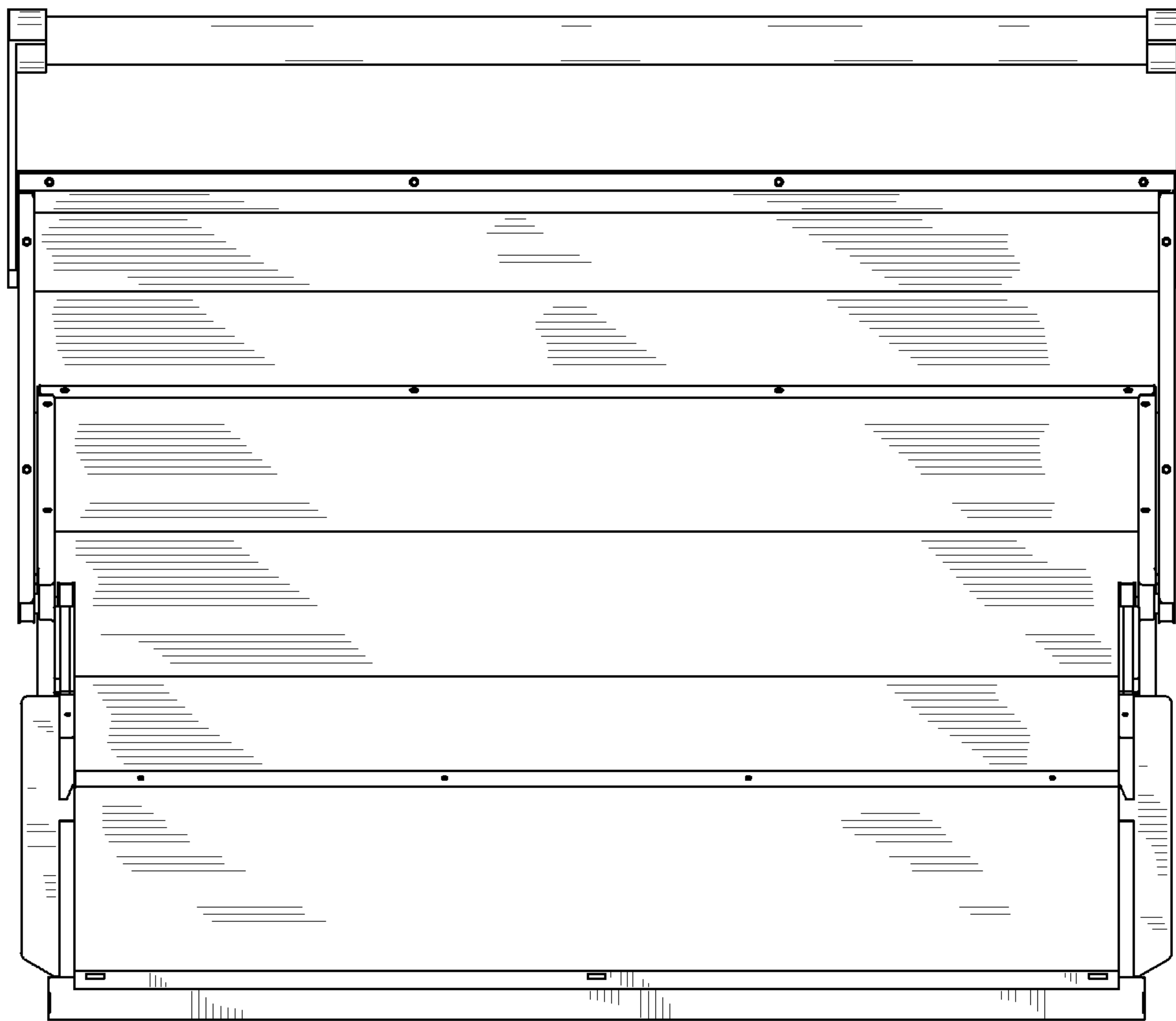


Fig. 7

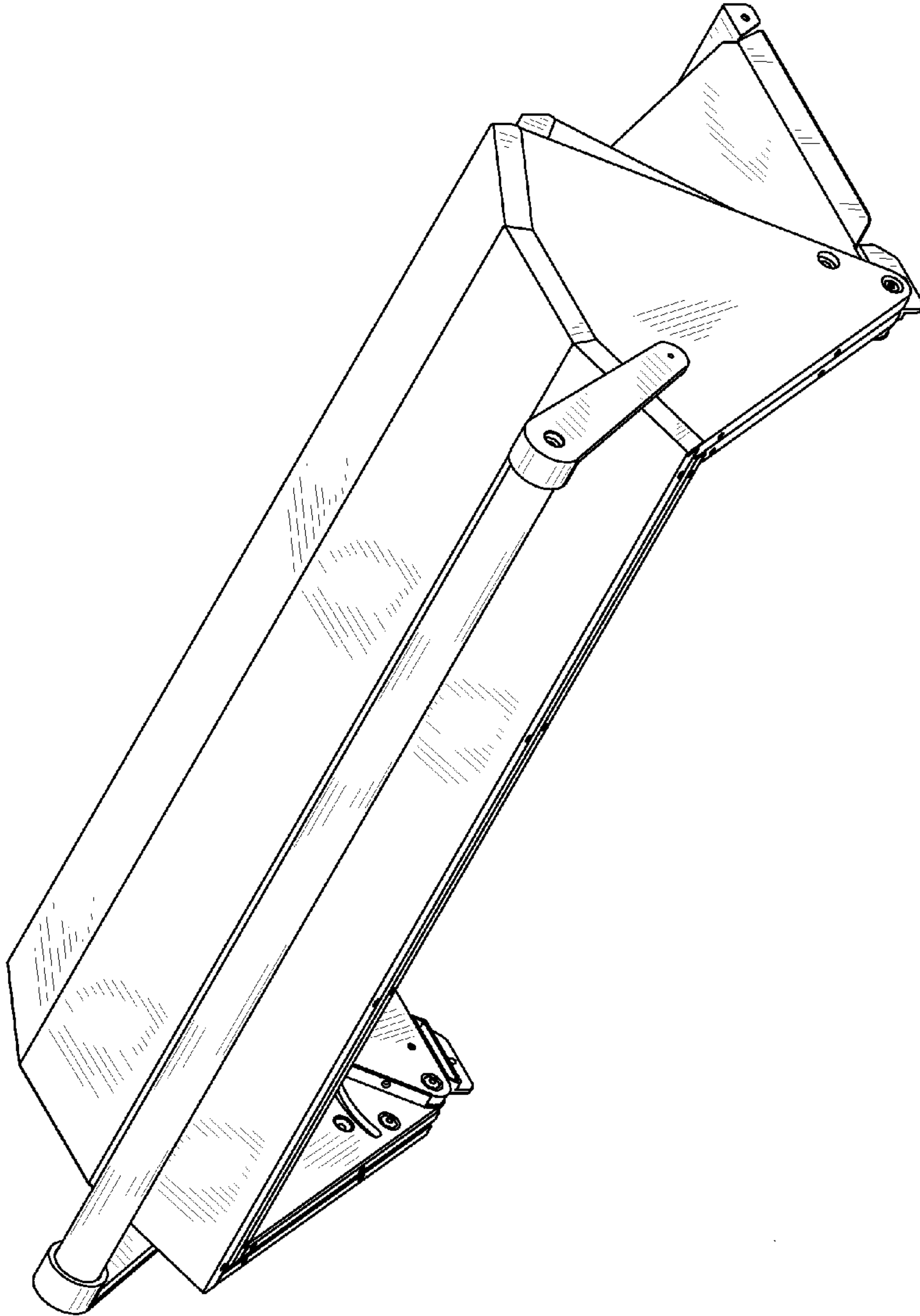


Fig. 8

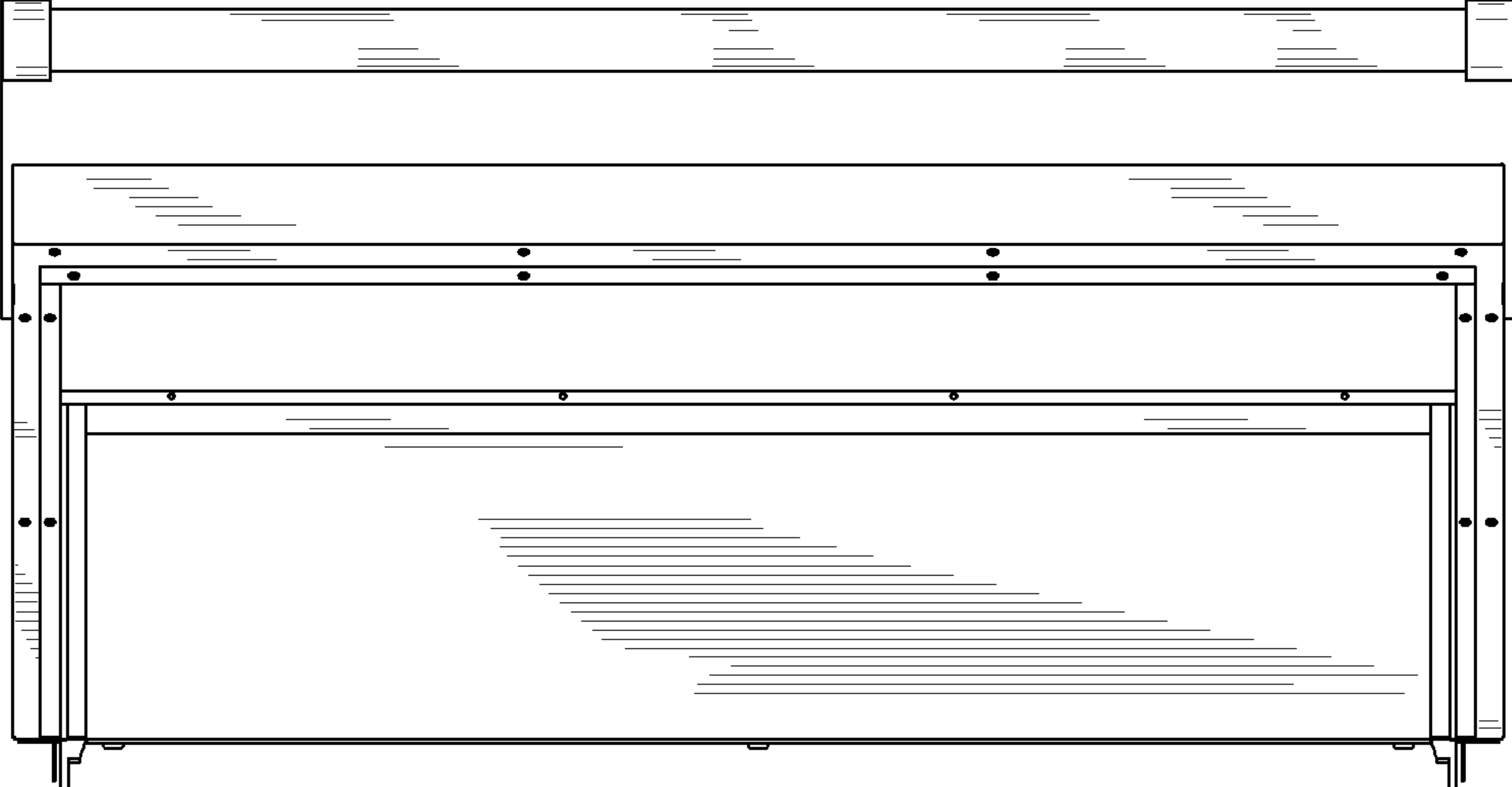


Fig. 9

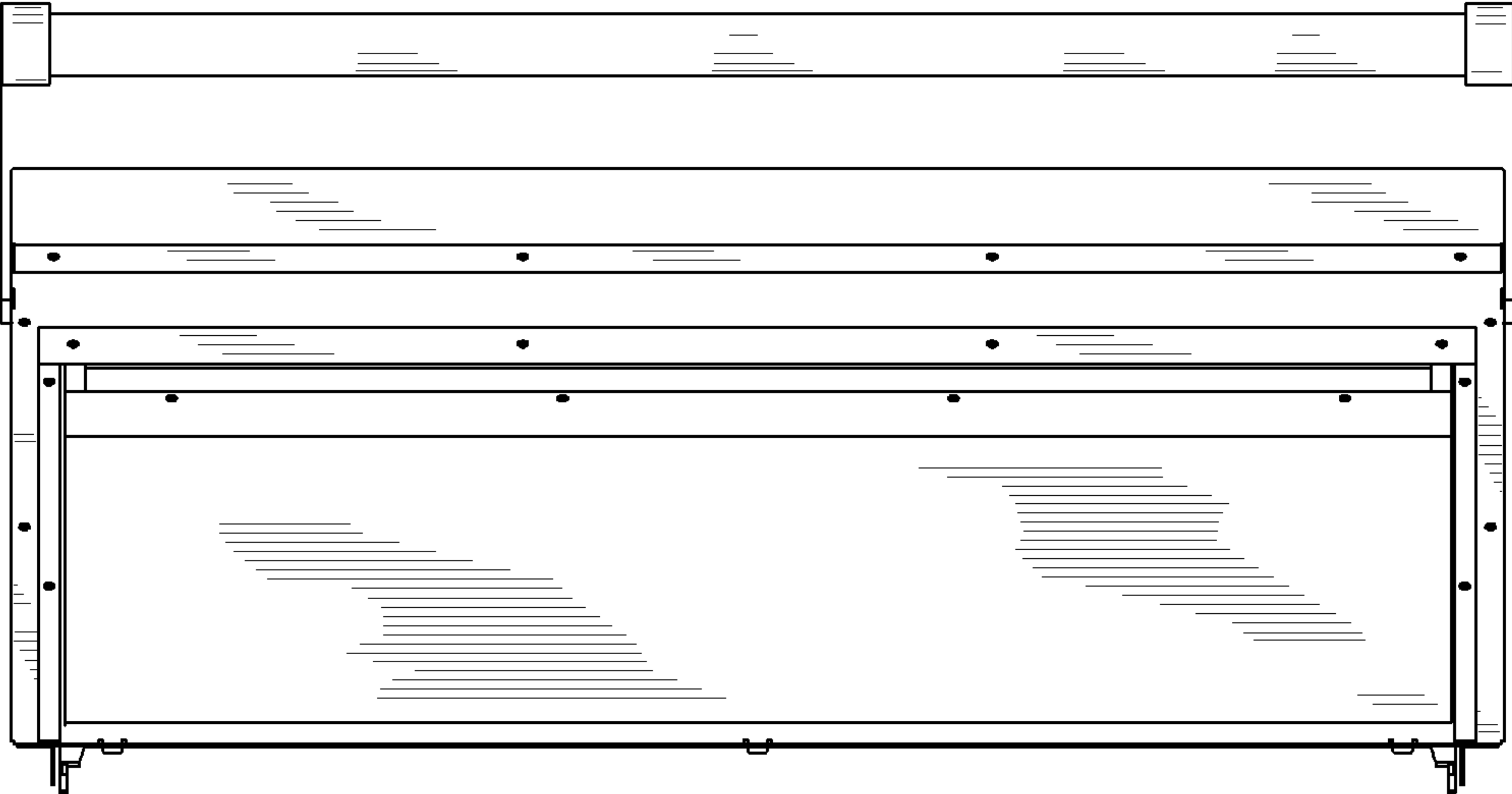


Fig. 10

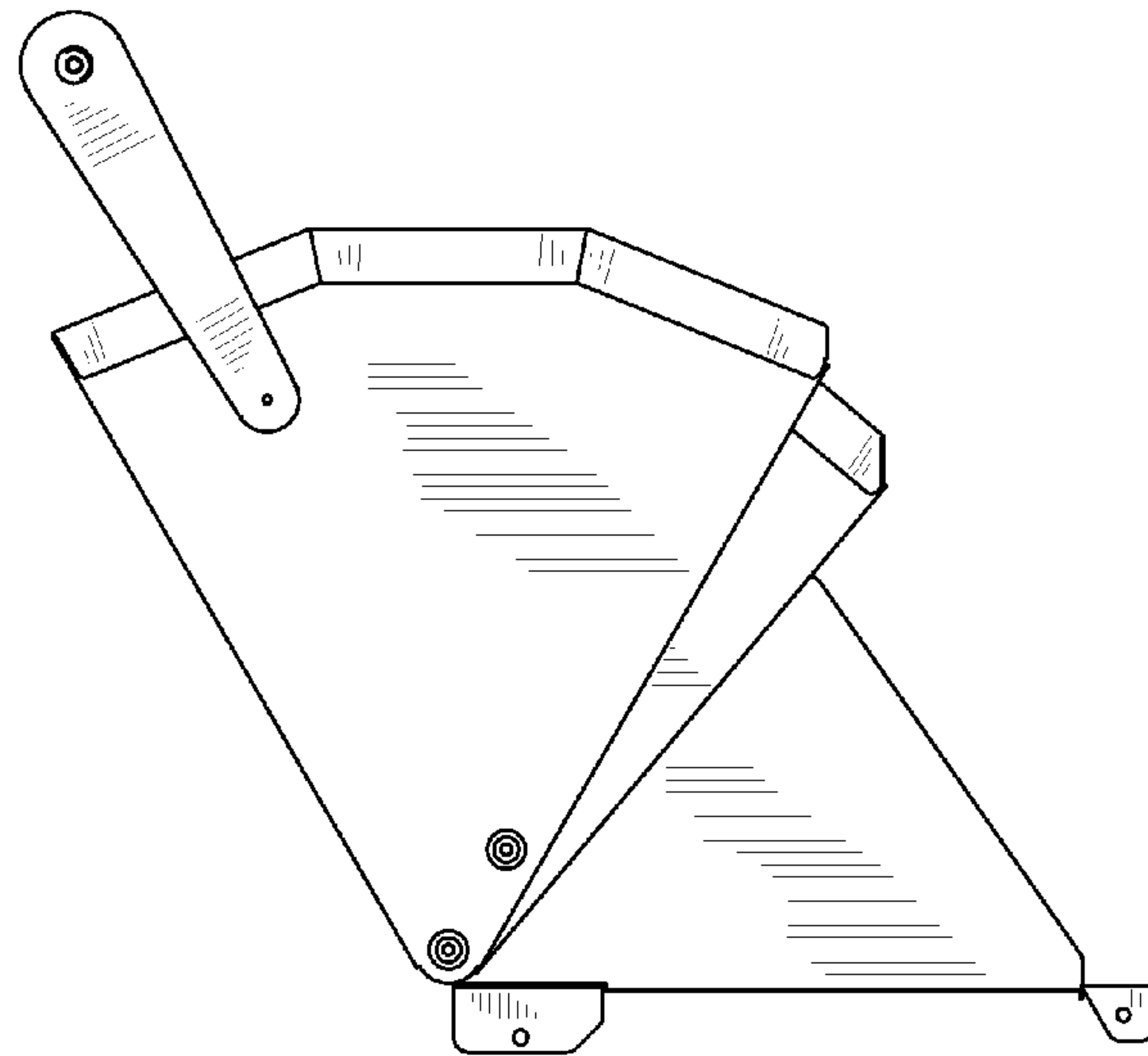


Fig. 11

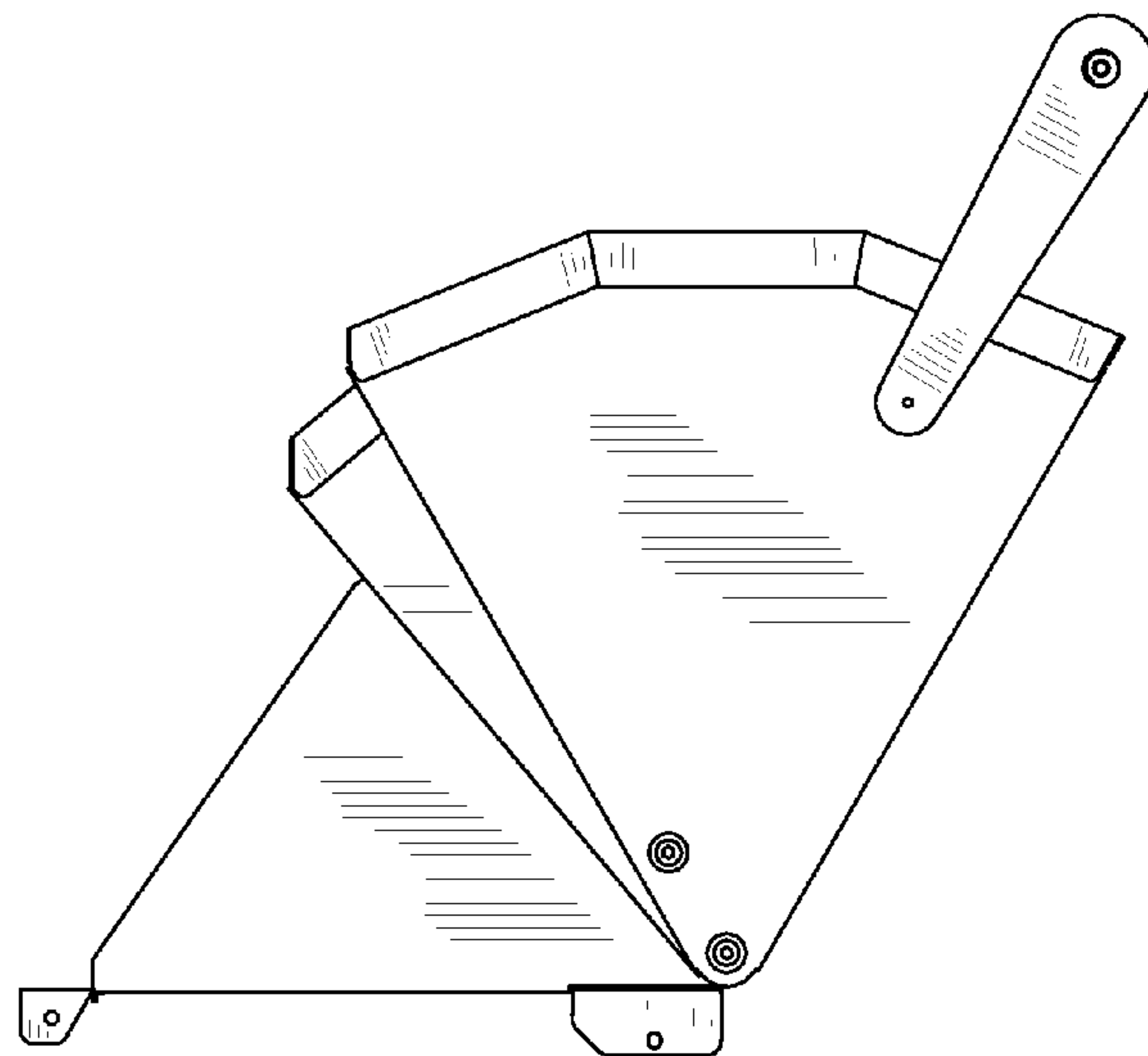


Fig. 12

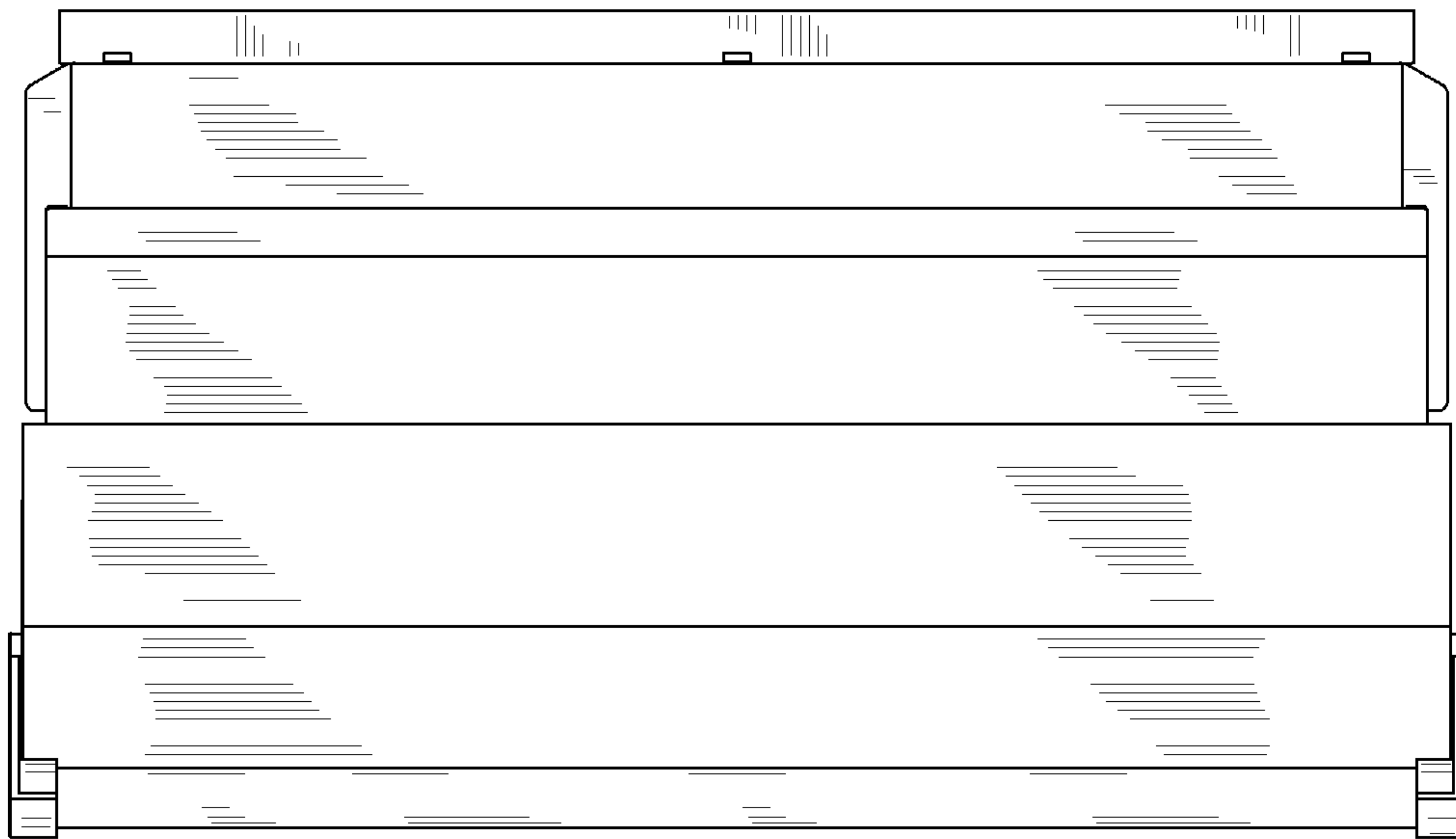


Fig. 13

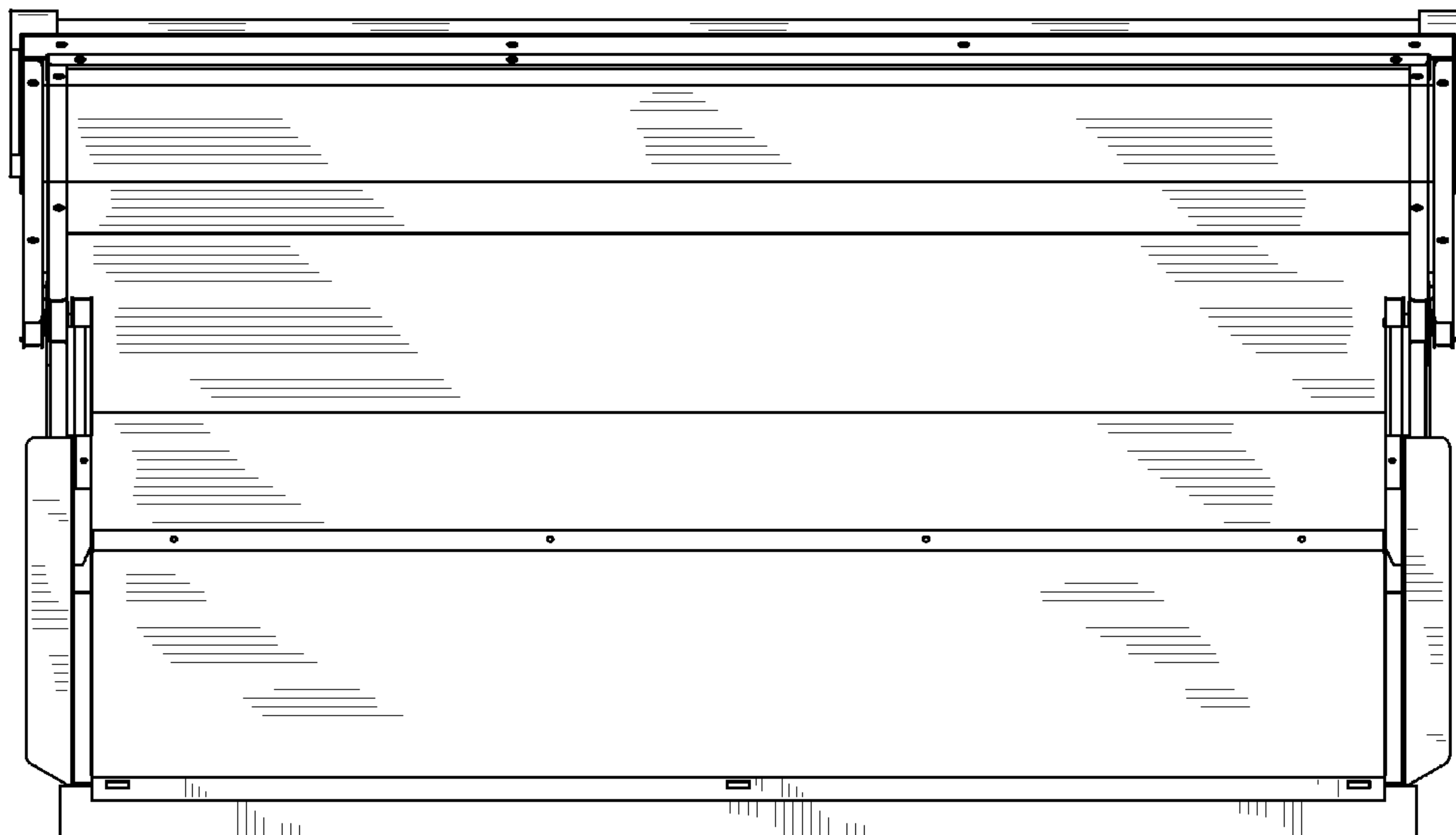


Fig. 14

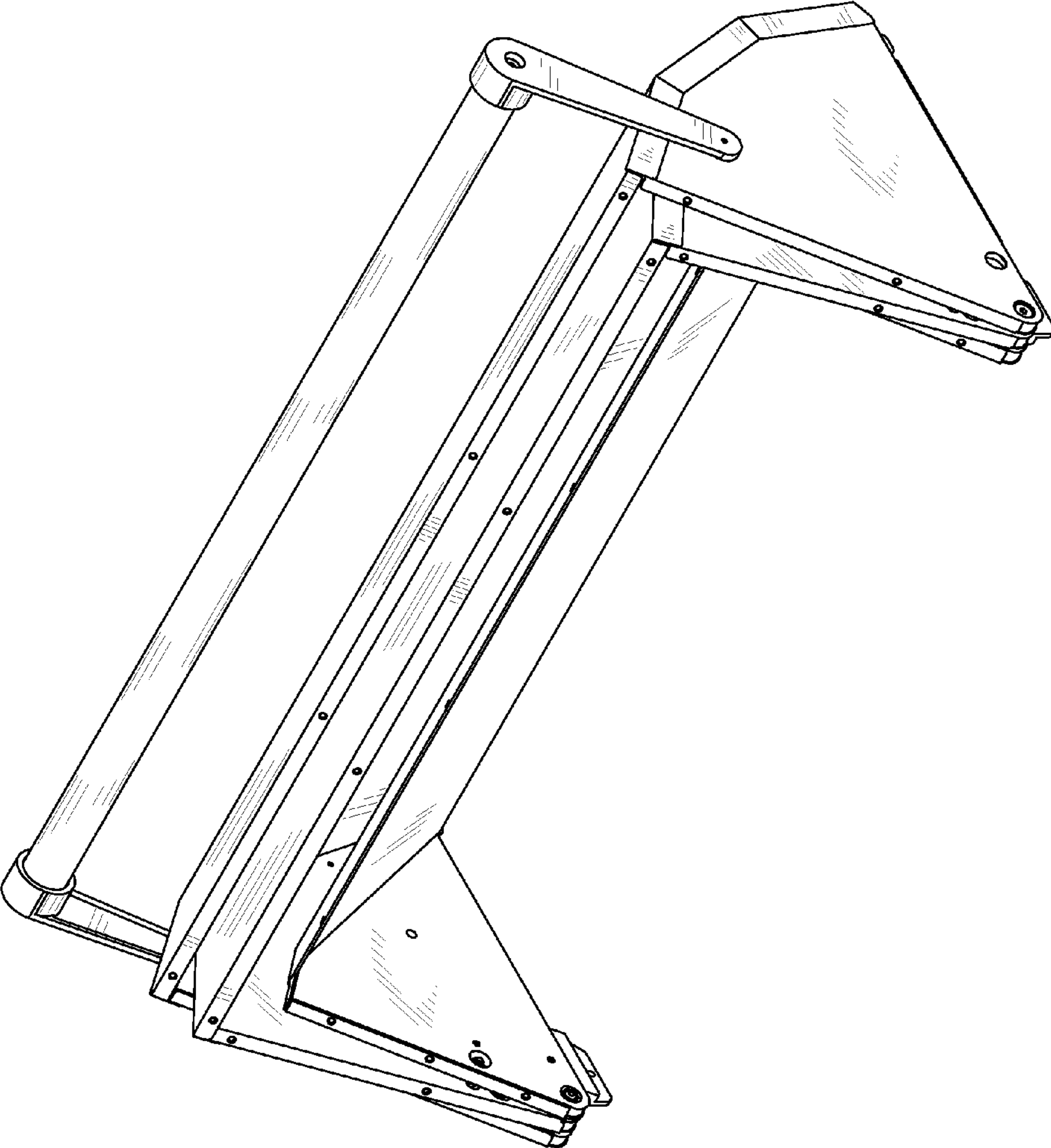


Fig. 15

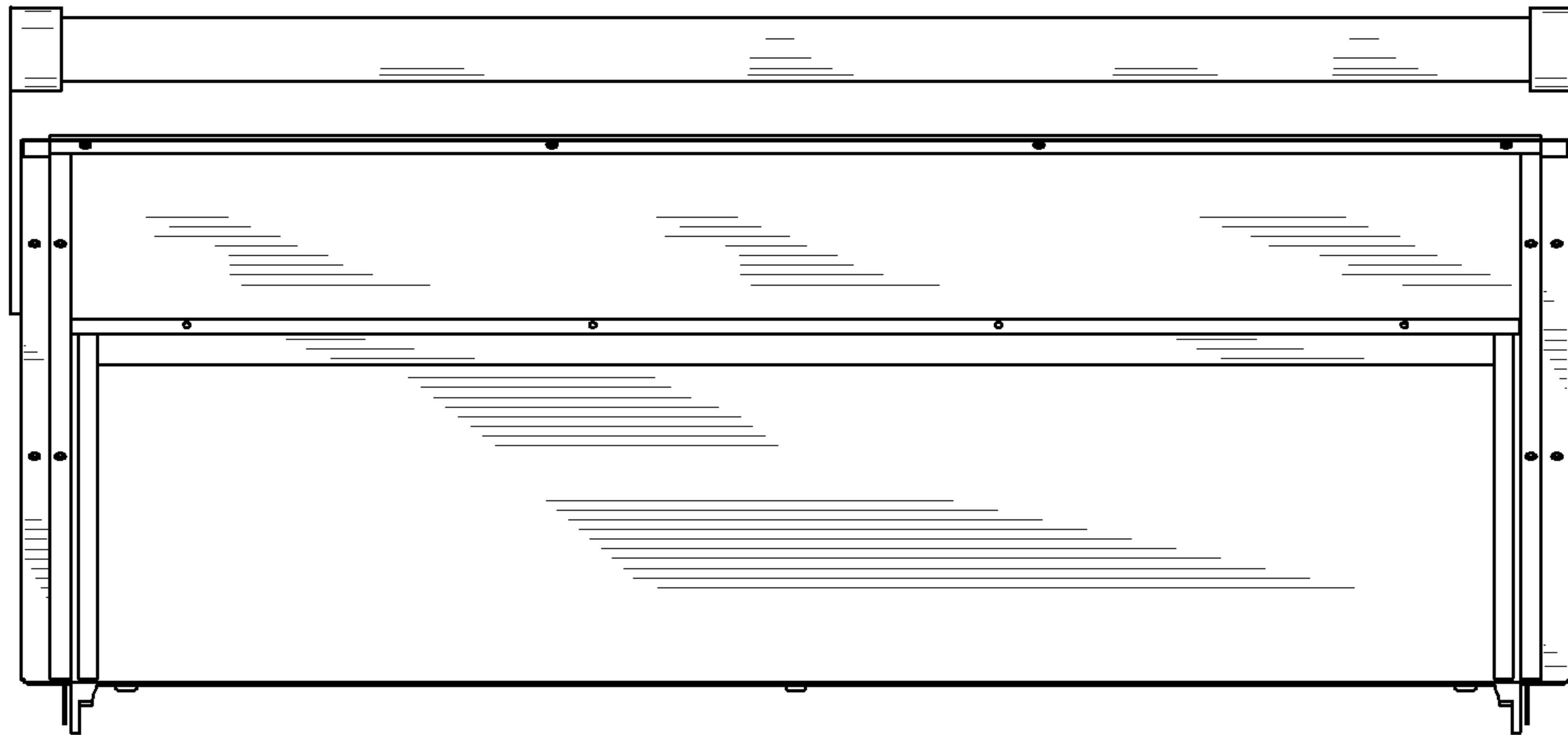


Fig. 16

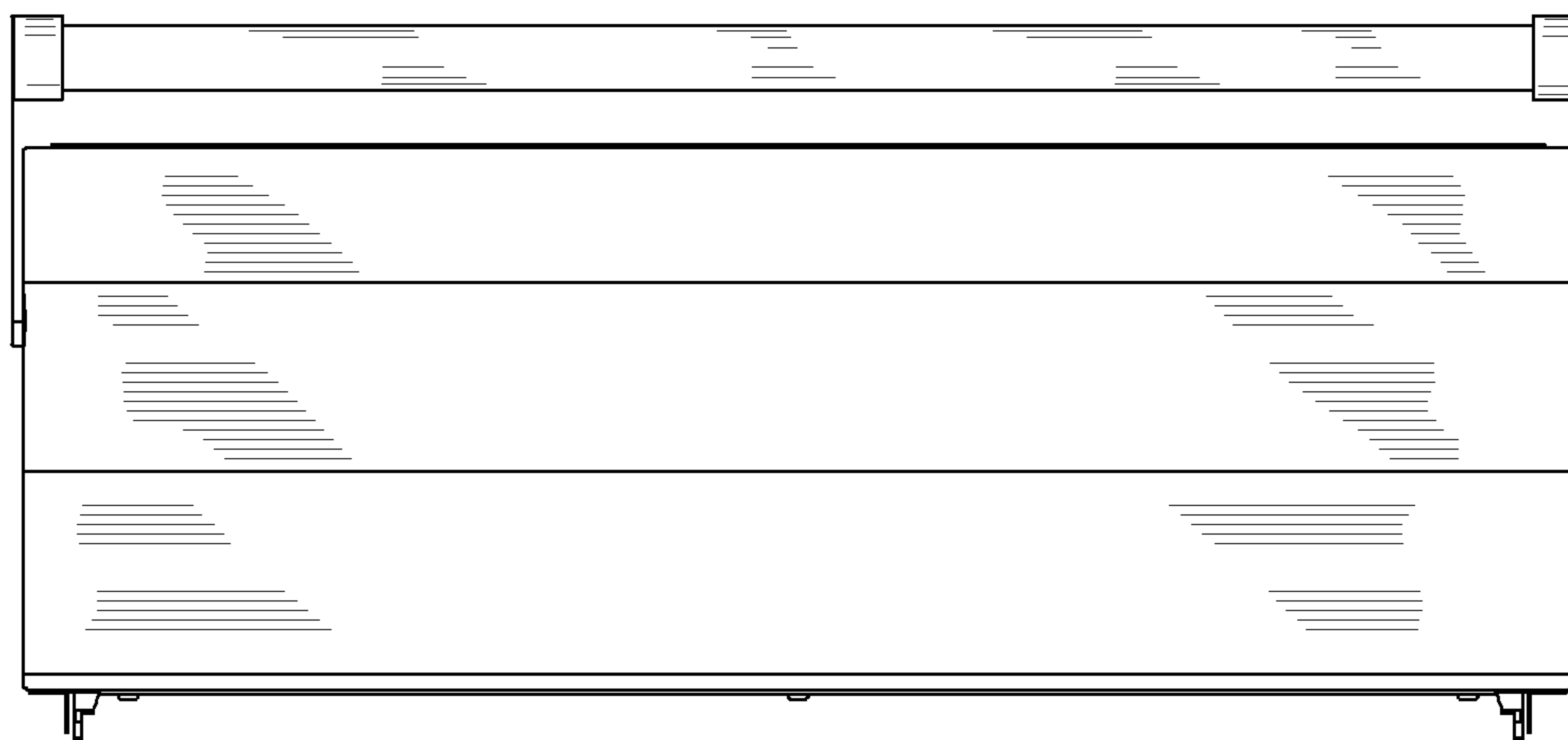


Fig. 17

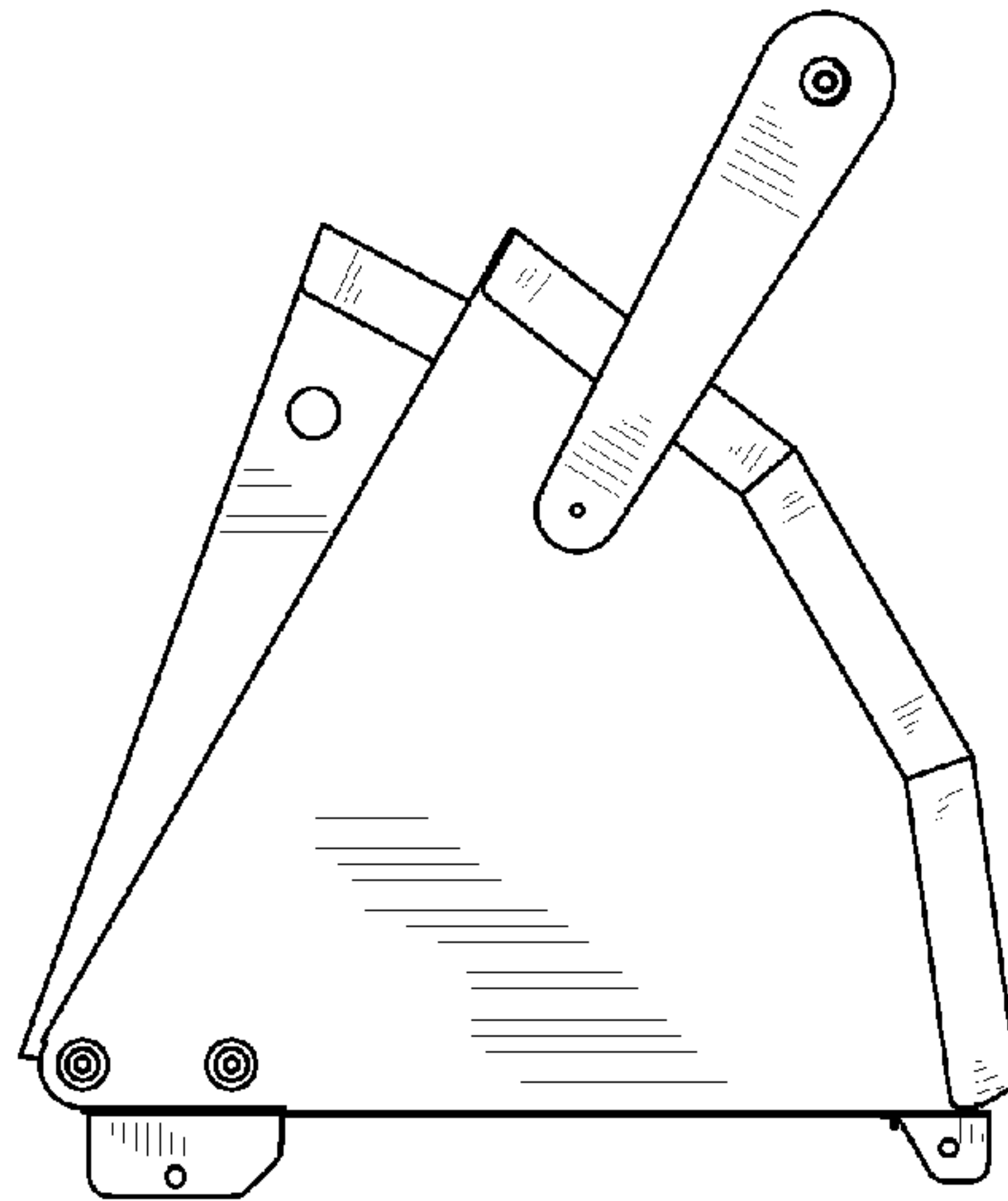


Fig. 18

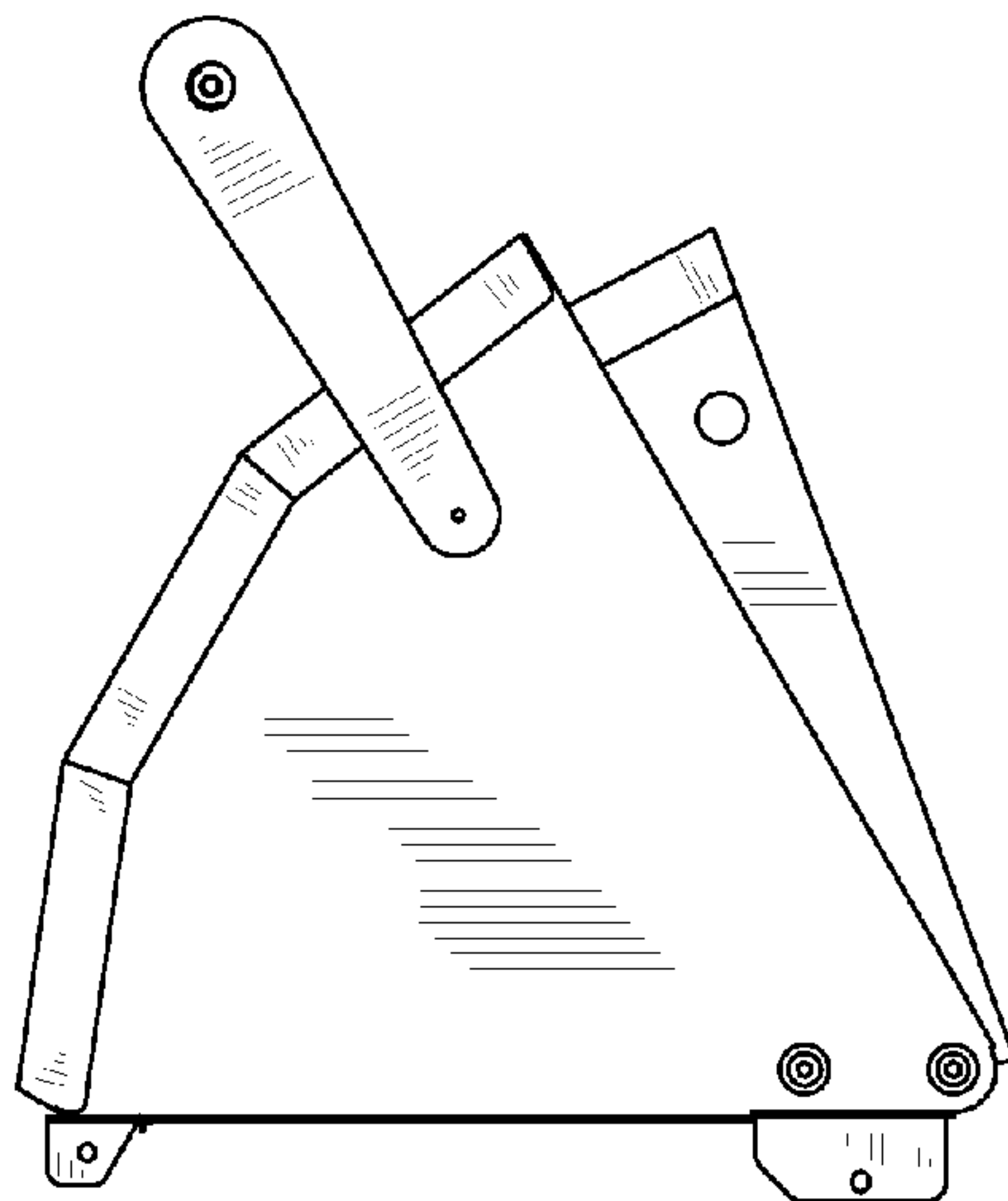


Fig. 19

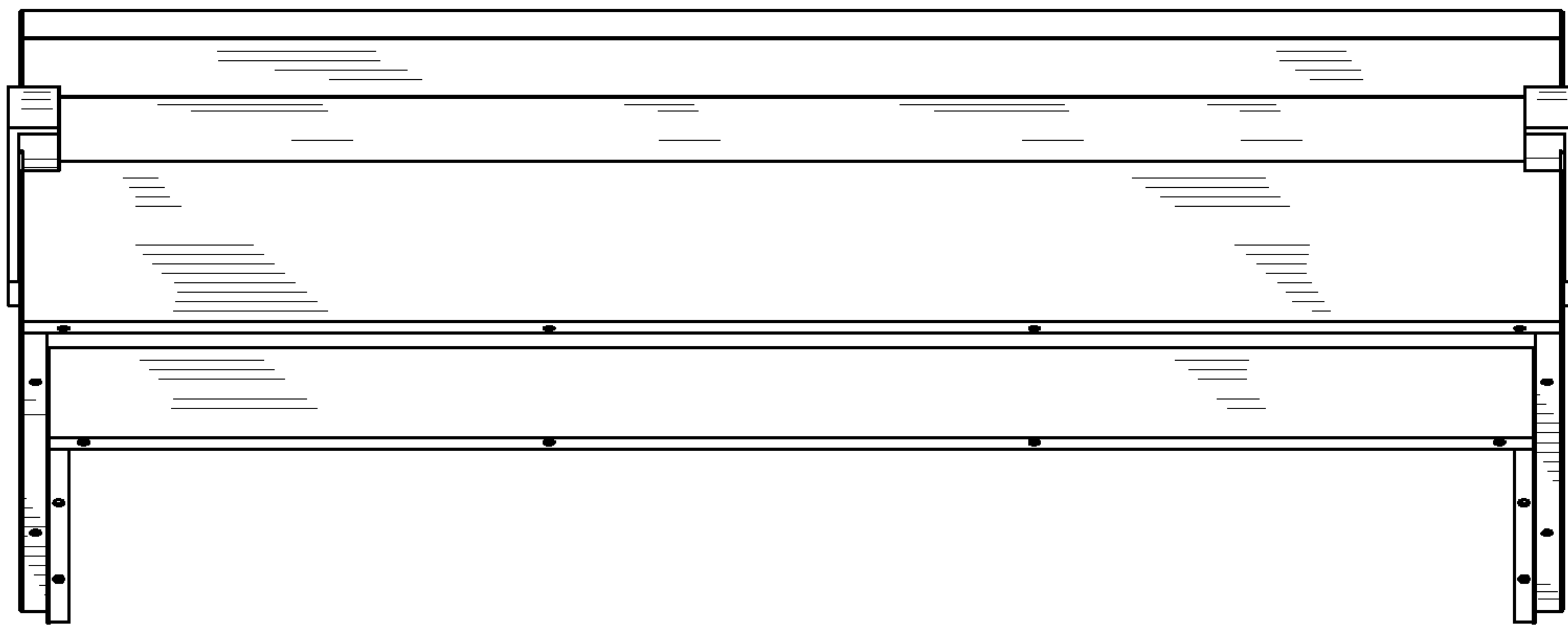


Fig. 20

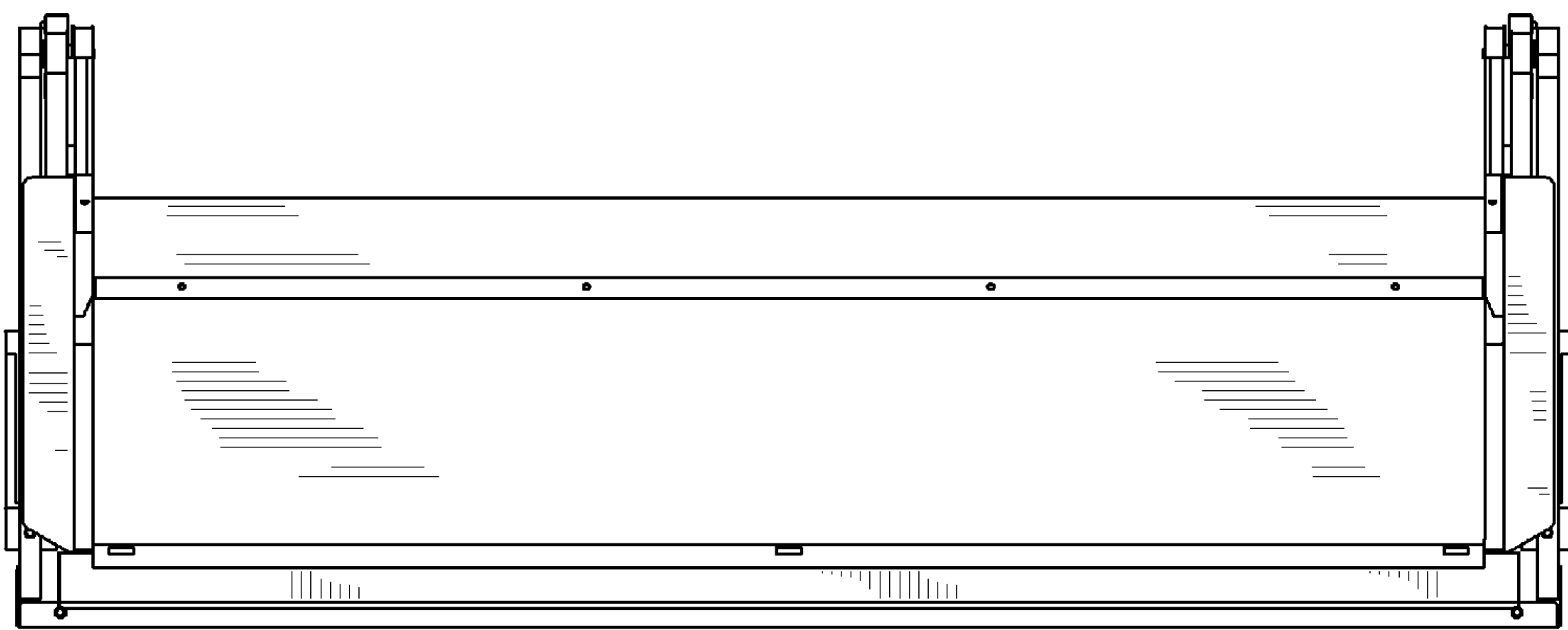


Fig. 21

UNITED STATES PATENT AND TRADEMARK OFFICE
CERTIFICATE OF CORRECTION

PATENT NO. : D675,061 S
APPLICATION NO. : 29/382066
DATED : January 29, 2013
INVENTOR(S) : James Sacherman

Page 1 of 1

It is certified that error appears in the above-identified patent and that said Letters Patent is hereby corrected as shown below:

ON THE PATENT COVER SHEET

On the patent cover sheet, field (73) Assignee, please delete “(KY)” and insert -- (Cayman Islands) -- so that the Assignee correctly reads:

-- (73) Assignee: **Headwater Holding Company Ltd.**, George Town (Cayman Islands) --

Signed and Sealed this
Twelfth Day of March, 2013



Teresa Stanek Rea
Acting Director of the United States Patent and Trademark Office