

US00D675060S

(12) **United States Design Patent**
Lane

(10) **Patent No.:** **US D675,060 S**
(45) **Date of Patent:** **** Jan. 29, 2013**

- (54) **LID FOR DRINK CONTAINER**
- (75) Inventor: **Marvin Lane**, Round Lake Beach, IL
(US)
- (73) Assignee: **Thermos L.L.C.**, Rolling Meadows, IL
(US)
- (**) Term: **14 Years**
- (21) Appl. No.: **29/391,312**
- (22) Filed: **May 6, 2011**
- (51) **LOC (9) Cl.** **07-02**
- (52) **U.S. Cl.** **D7/392.1; D9/449**
- (58) **Field of Classification Search** D7/300,
D7/387, 391, 392, 392.1, 393, 509, 510, 511,
D7/538, 629, 900; D9/434, 435, 438, 439,
D9/440, 443, 447, 449, 452, 453; D24/199;
215/12.1, 216, 225, 230, 233, 237, 249, 251,
215/253, 254, 266, 318, 354, 364; 220/254.3,
220/254.5, 254.9, 264, 266, 368, 521, 711,
220/714
See application file for complete search history.

(56) **References Cited**

U.S. PATENT DOCUMENTS

3,757,979	A *	9/1973	Berghahn	215/225
3,944,101	A *	3/1976	Landen et al.	215/216
D436,862	S *	1/2001	Witt et al.	D9/438
D451,392	S *	12/2001	Kitamura et al.	D9/447
D463,280	S *	9/2002	Brozell	D9/449
6,484,895	B2 *	11/2002	Montgomery et al.	215/237
D514,446	S *	2/2006	Choi	D9/449
D524,650	S *	7/2006	Sitomer	D9/449
D571,147	S *	6/2008	Rohe	D7/392.1

D589,743	S *	4/2009	Pearson	D7/392
D609,093	S *	2/2010	Wisniewski et al.	D9/449
D610,454	S *	2/2010	Lohrman et al.	D9/449
D623,896	S *	9/2010	Wahl et al.	D7/510
D630,093	S *	1/2011	Bardet	D9/438
D634,628	S *	3/2011	Goto et al.	D9/435
D636,672	S *	4/2011	Lohrman et al.	D9/449
D656,360	S *	3/2012	Miller et al.	D7/510
2005/0133475	A1 *	6/2005	Goto et al.	215/237
2006/0043052	A1 *	3/2006	Lin	215/253

* cited by examiner

Primary Examiner — Susan E Krakower

(74) *Attorney, Agent, or Firm* — Schiff Hardin LLP

(57) **CLAIM**

The ornamental design of a lid for drink container, as shown and described.

DESCRIPTION

FIG. 1 is a perspective view taken from the upper right-hand side of the lid for drink container of the present invention; FIG. 2 is a front elevational view of the lid for drink container of FIG. 1;

FIG. 3 is a rear elevational view of the lid for drink container of FIG. 1;

FIG. 4 is a side elevational view of the right side of the lid for drink container of FIG. 1, the left side being a mirror image of the right side;

FIG. 5 is a top plan view of the lid for drink container of FIG. 1; and,

FIG. 6 is a bottom plan view of the lid for drink container of FIG. 1.

The broken lines showing a drink bottle illustrate environmental structure and form no part of the claimed design.

1 Claim, 3 Drawing Sheets

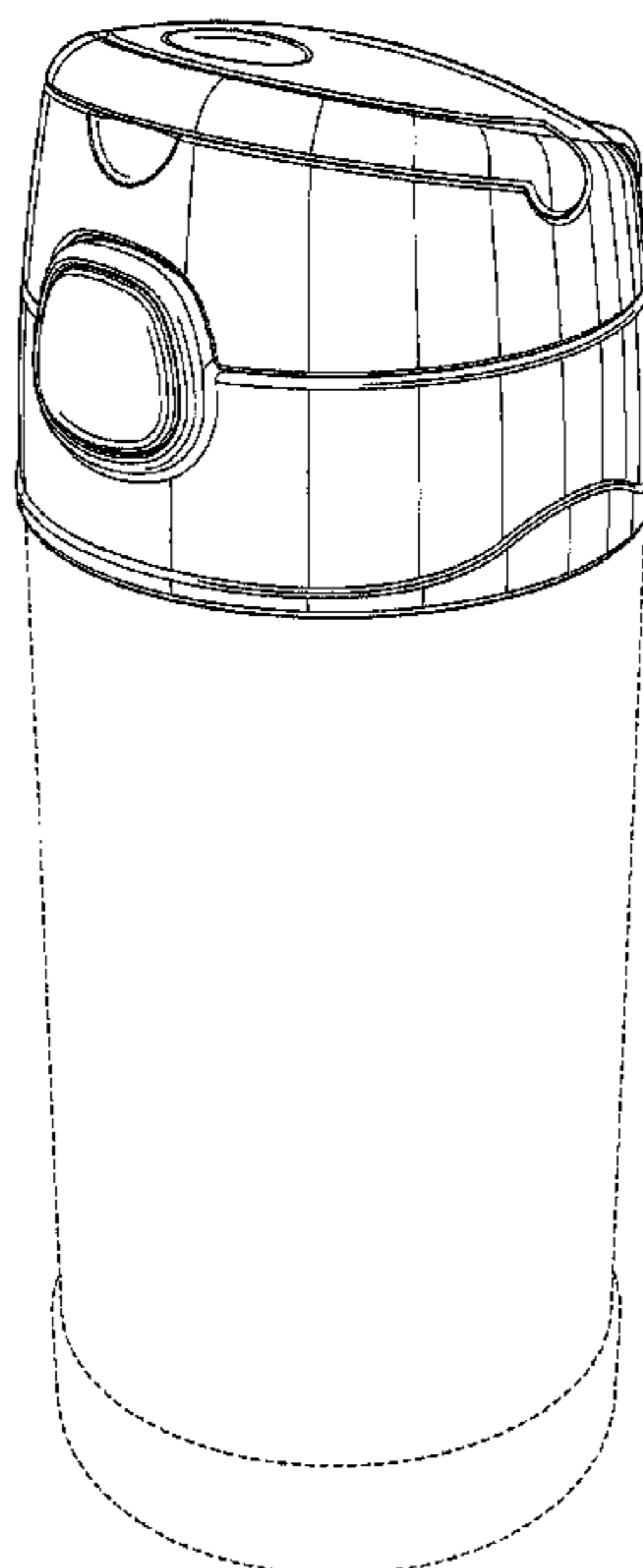


FIG. 1

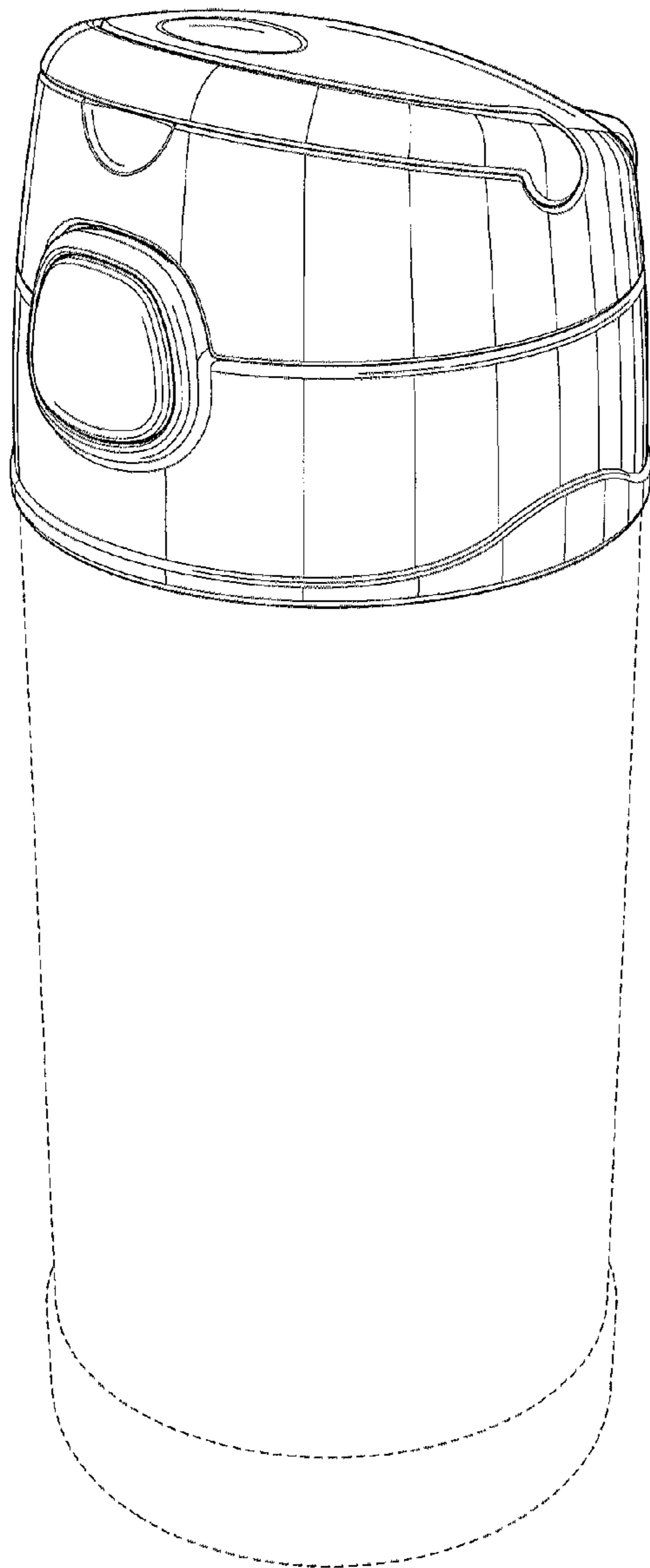


FIG. 2



FIG. 3

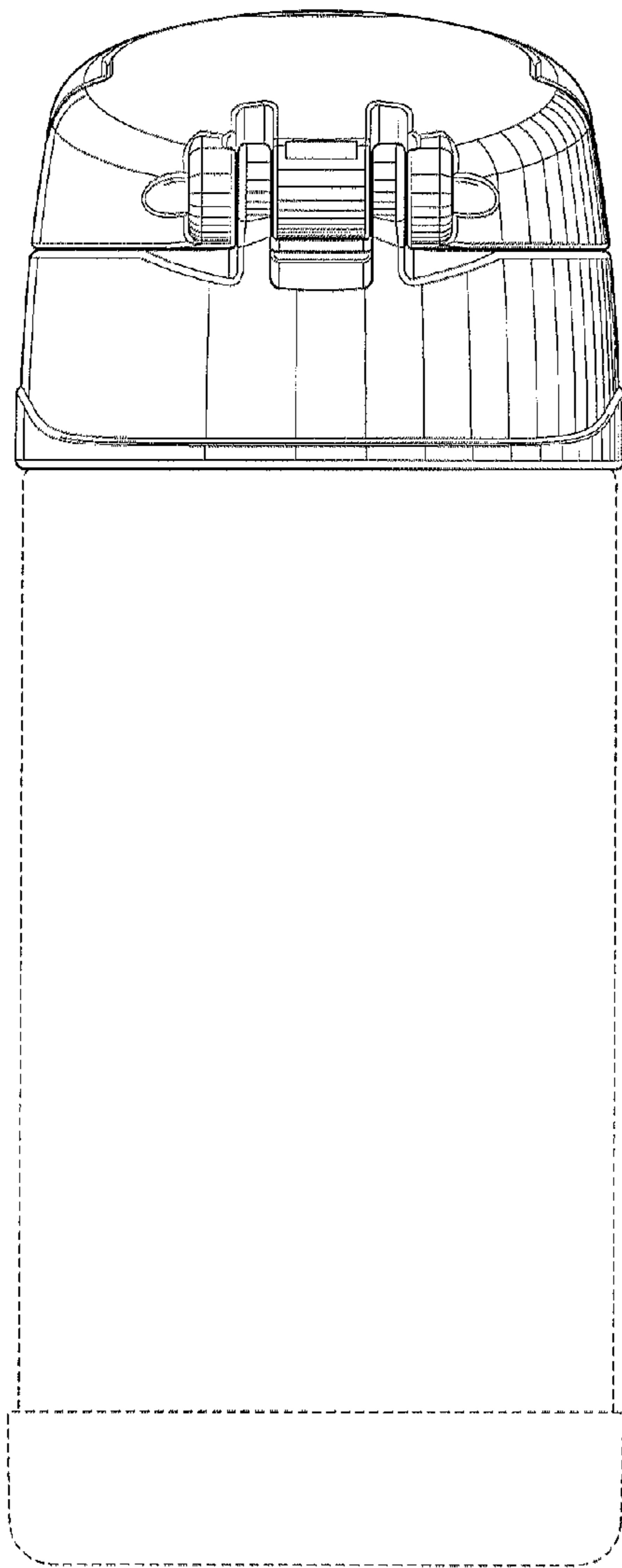


FIG. 4

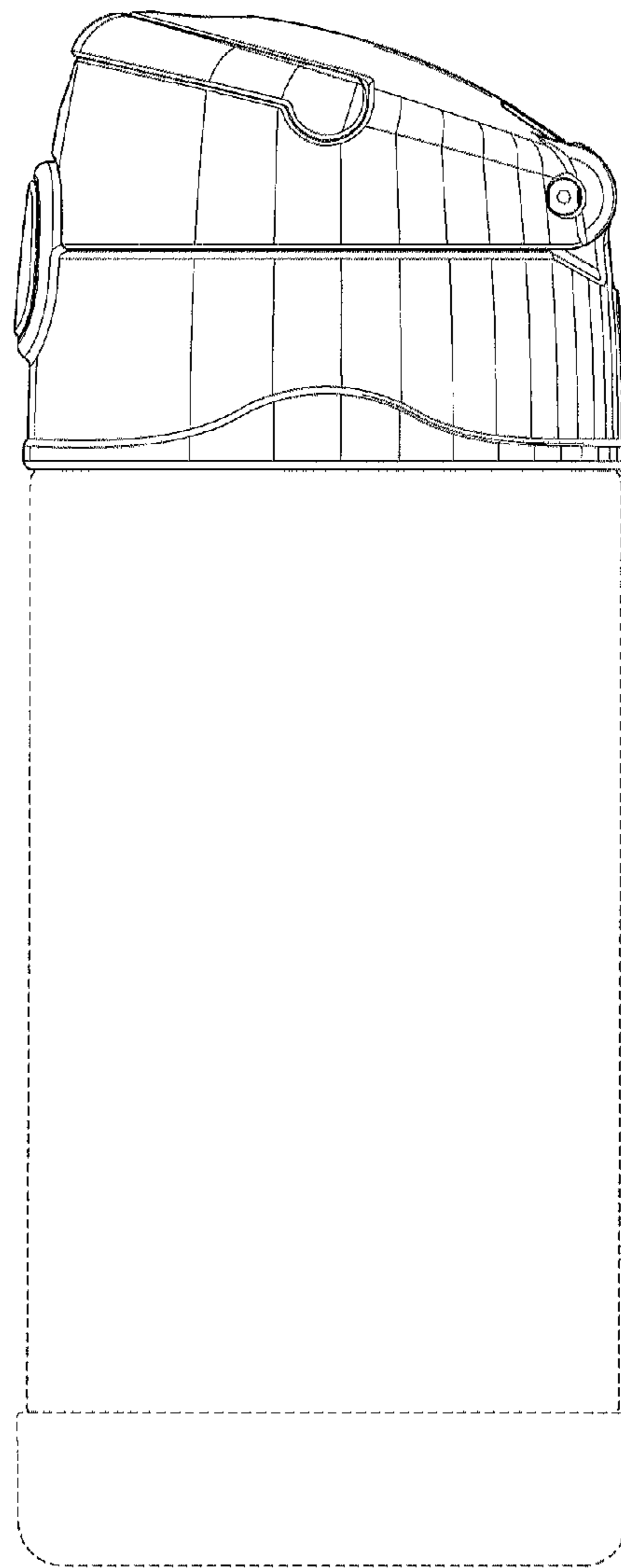


FIG. 5

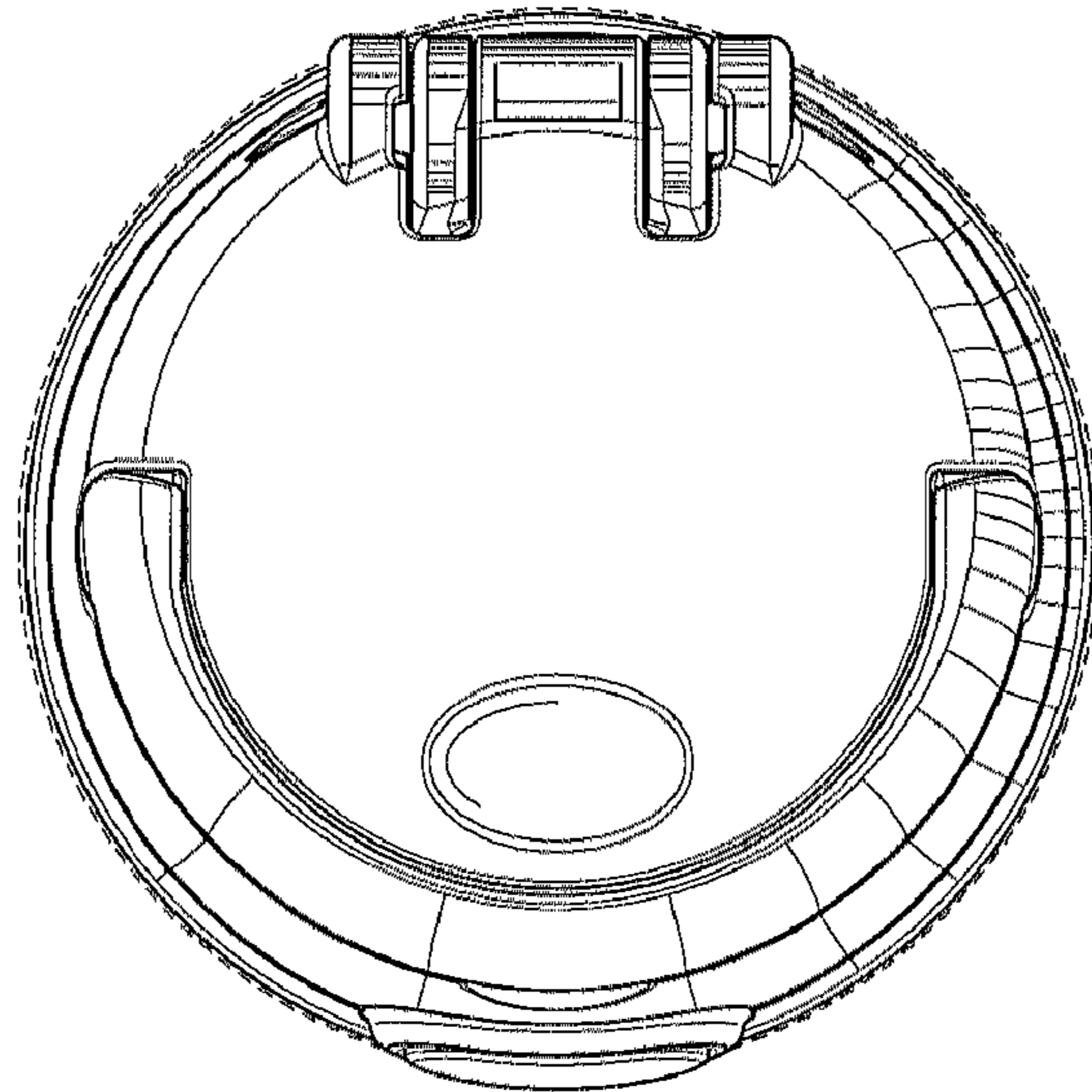


FIG. 6

