



US00D675059S

(12) **United States Design Patent**  
**Carreno**

(10) **Patent No.:** **US D675,059 S**  
(45) **Date of Patent:** **\*\* Jan. 29, 2013**

- (54) **LID**
- (75) Inventor: **Alfredo Carreno**, Greece, NY (US)
- (73) Assignee: **Thermos LLC**, Rolling Meadows, IL (US)
- (\*\*) Term: **14 Years**
- (21) Appl. No.: **29/378,760**
- (22) Filed: **Nov. 9, 2010**
- (51) **LOC (9) Cl.** ..... **07-02**
- (52) **U.S. Cl.** ..... **D7/392.1; D9/443**
- (58) **Field of Classification Search** ..... D7/300, D7/387, 391, 392, 392.1, 393, 509, 510, 511, D7/538, 629, 900; D9/434, 435, 438, 439, D9/440, 443, 447, 448, 449, 452, 453, 454; D24/199; 215/12.1, 216, 225, 230, 233, 215/237, 238, 249, 251, 253, 254, 266, 318, 215/354, 364; 220/254.3, 254.5, 254.9, 264, 220/266, 368, 521, 711, 714  
See application file for complete search history.

- (56) **References Cited**
- U.S. PATENT DOCUMENTS
- 3,757,979 A \* 9/1973 Berghahn ..... 215/225
- D436,862 S \* 1/2001 Witt et al. .... D9/438
- D451,392 S \* 12/2001 Kitamura et al. .... D9/447
- 6,484,895 B2 \* 11/2002 Montgomery et al. .... 215/237
- D536,975 S \* 2/2007 Smith et al. .... D9/449
- D537,342 S \* 2/2007 Smith et al. .... D9/449
- D581,727 S \* 12/2008 Pinelli et al. .... D7/392.1
- D589,743 S \* 4/2009 Pearson ..... D7/392
- D592,012 S \* 5/2009 Carreno ..... D7/510
- D608,640 S \* 1/2010 Carreno ..... D9/449
- D609,093 S \* 2/2010 Wisniewski et al. .... D9/449
- D609,964 S \* 2/2010 Lane ..... D7/392.1

- D610,454 S \* 2/2010 Lohrman et al. .... D9/449
- D625,146 S \* 10/2010 George et al. .... D7/392
- D627,594 S \* 11/2010 Boonprasop ..... D7/392.1
- D630,044 S \* 1/2011 Lane et al. .... D7/392.1
- D630,093 S \* 1/2011 Bardet ..... D9/438
- D634,628 S \* 3/2011 Goto et al. .... D9/435
- D650,672 S \* 12/2011 Krallmann ..... D9/449
- D651,847 S \* 1/2012 Gilbert ..... D7/392.1
- D656,360 S \* 3/2012 Miller et al. .... D7/510
- D658,445 S \* 5/2012 Carreno ..... D7/510
- D661,945 S \* 6/2012 Eyal ..... D7/392.1
- D665,669 S \* 8/2012 Folli et al. .... D9/448
- 2008/0272085 A1 \* 11/2008 Laporta ..... 215/296
- 2011/0089059 A1 \* 4/2011 Lane et al. .... 206/222

\* cited by examiner

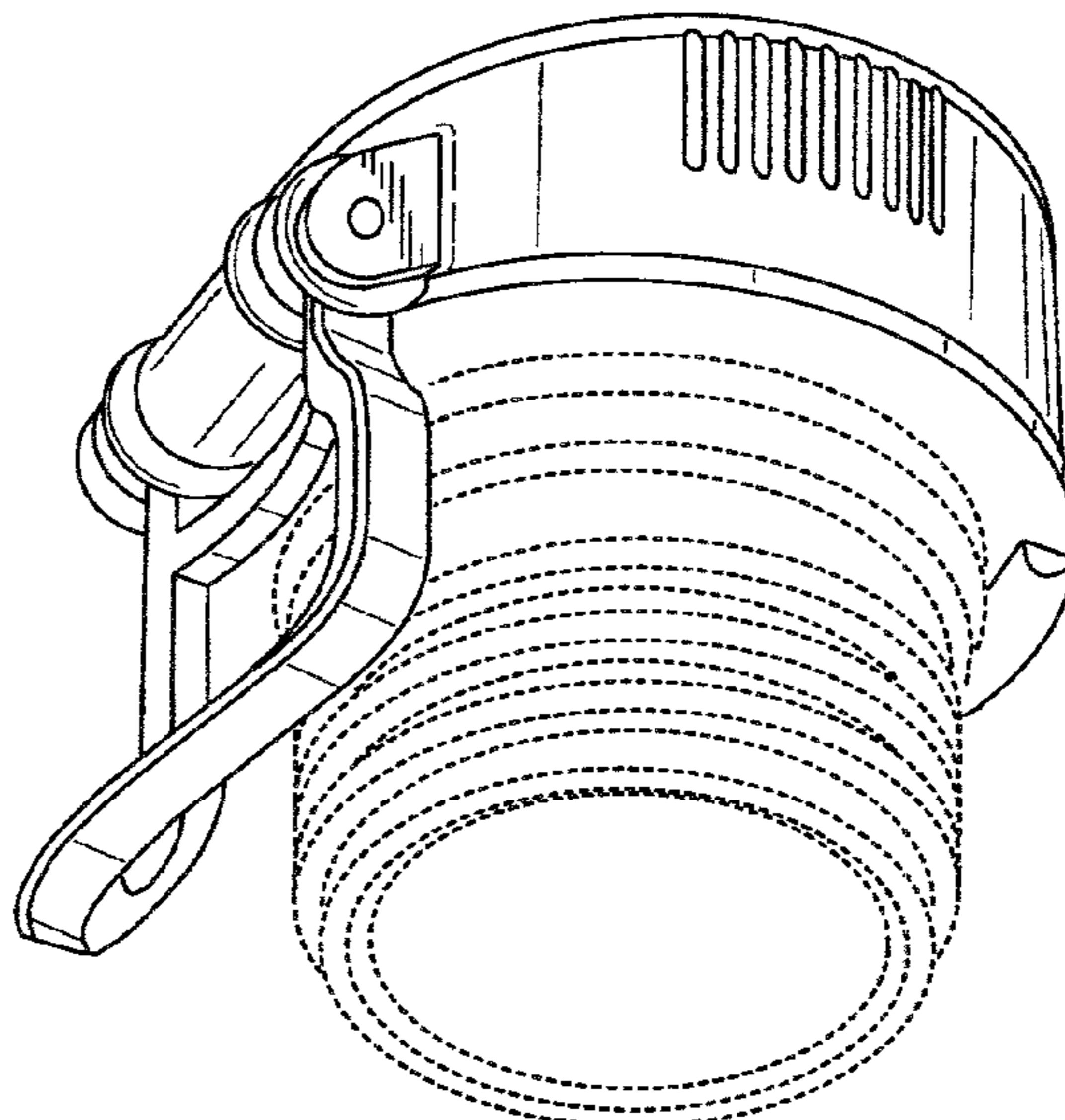
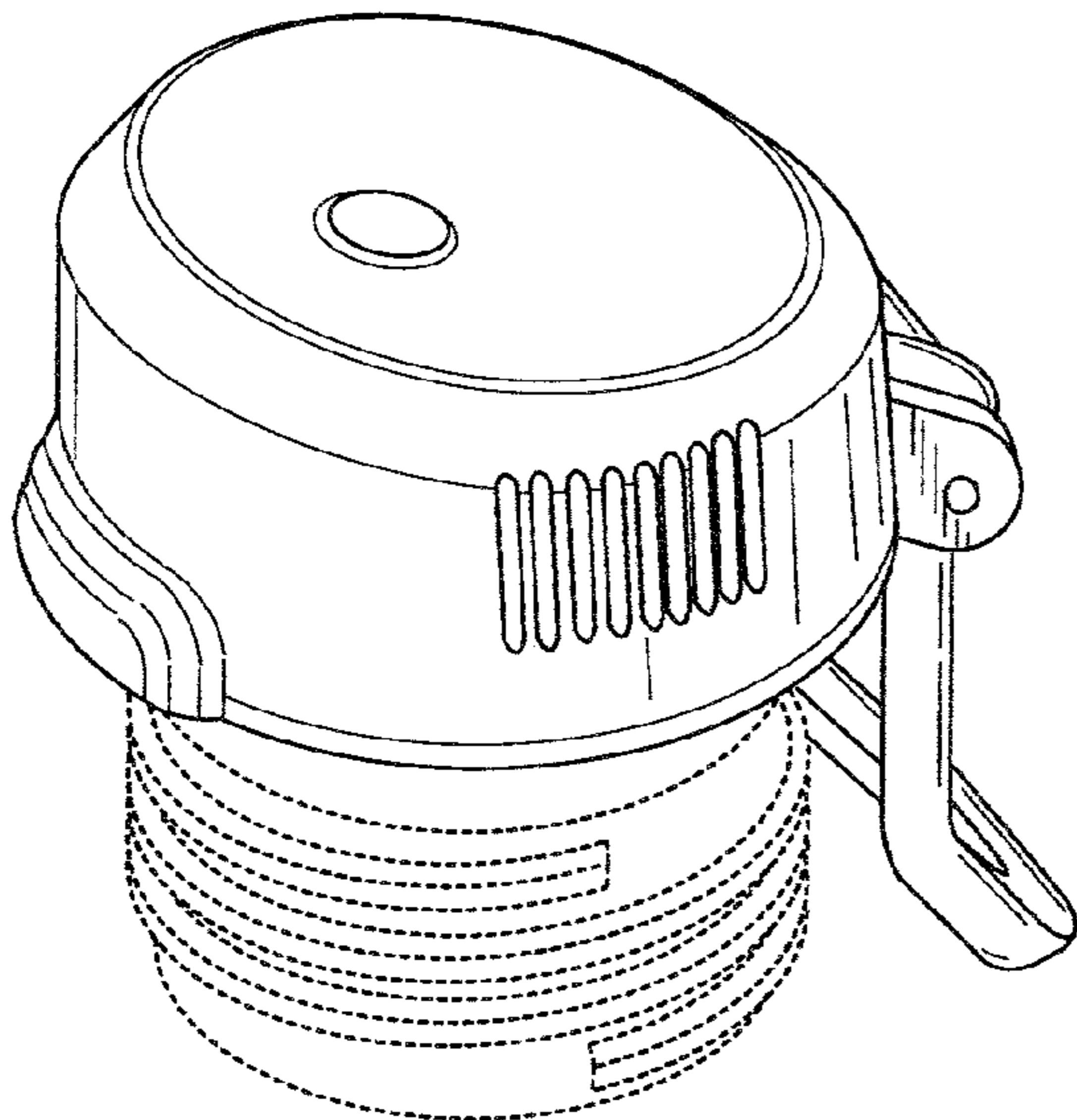
*Primary Examiner* — Susan E Krakower  
(74) *Attorney, Agent, or Firm* — Wood, Phillips, Katz, Clark & Mortimer

(57) **CLAIM**  
The ornamental design for a lid, as shown and described.

**DESCRIPTION**

FIG. 1 is a perspective view from above and to the front and right of the lid;  
FIG. 2 is a perspective view from below and to the rear and left of the lid;  
FIG. 3 is a front of the lid;  
FIG. 4 is a right side elevation view of the lid, with the left side elevation being a mirror image of FIG. 4;  
FIG. 5 is a back elevation view of the lid;  
FIG. 6 is a top plan view of the lid; and,  
FIG. 7 is a bottom view of the lid.  
The broken lines illustrate portions of the lid which form no part of the claimed design.

**1 Claim, 3 Drawing Sheets**



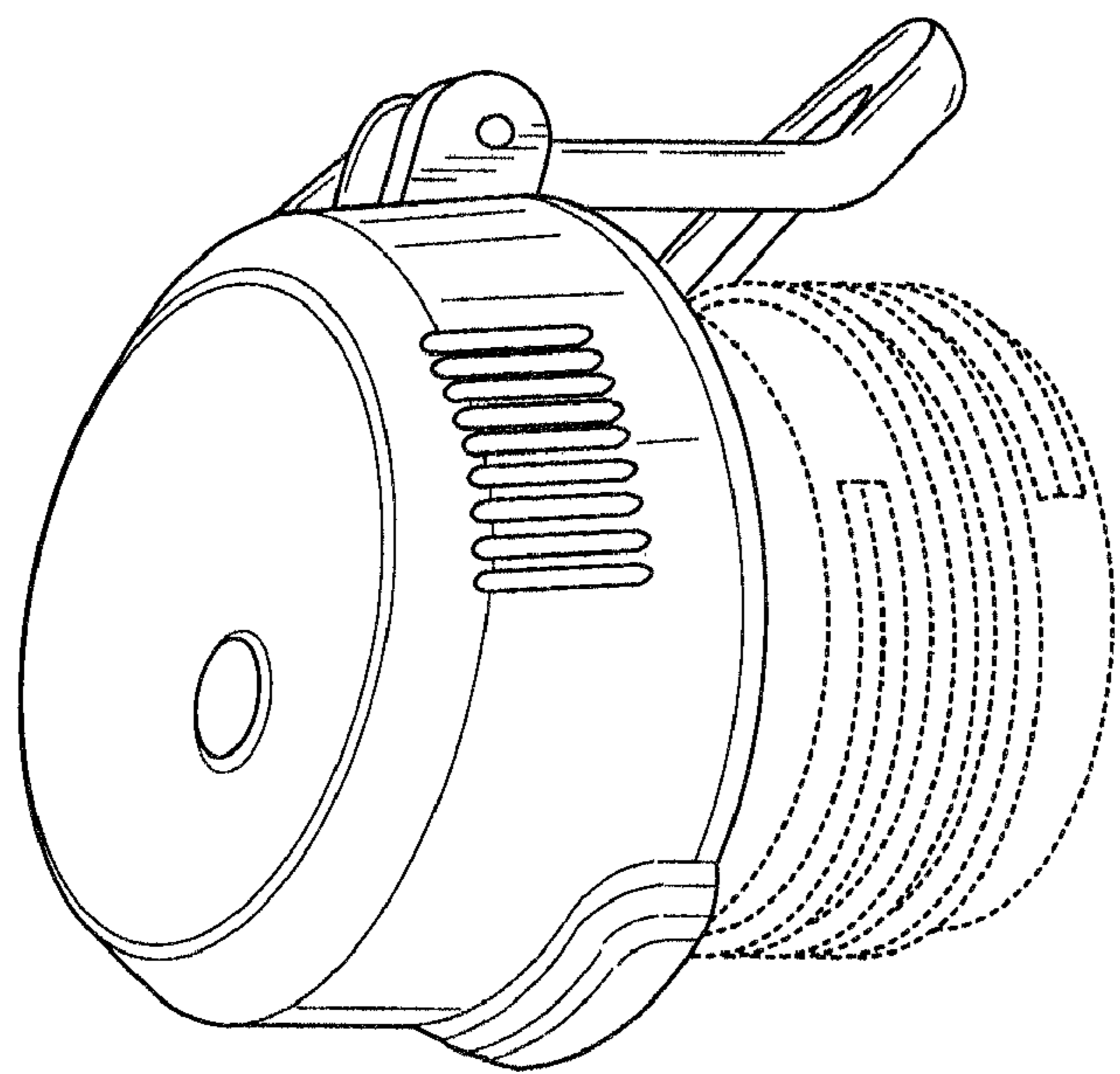


Fig. 1

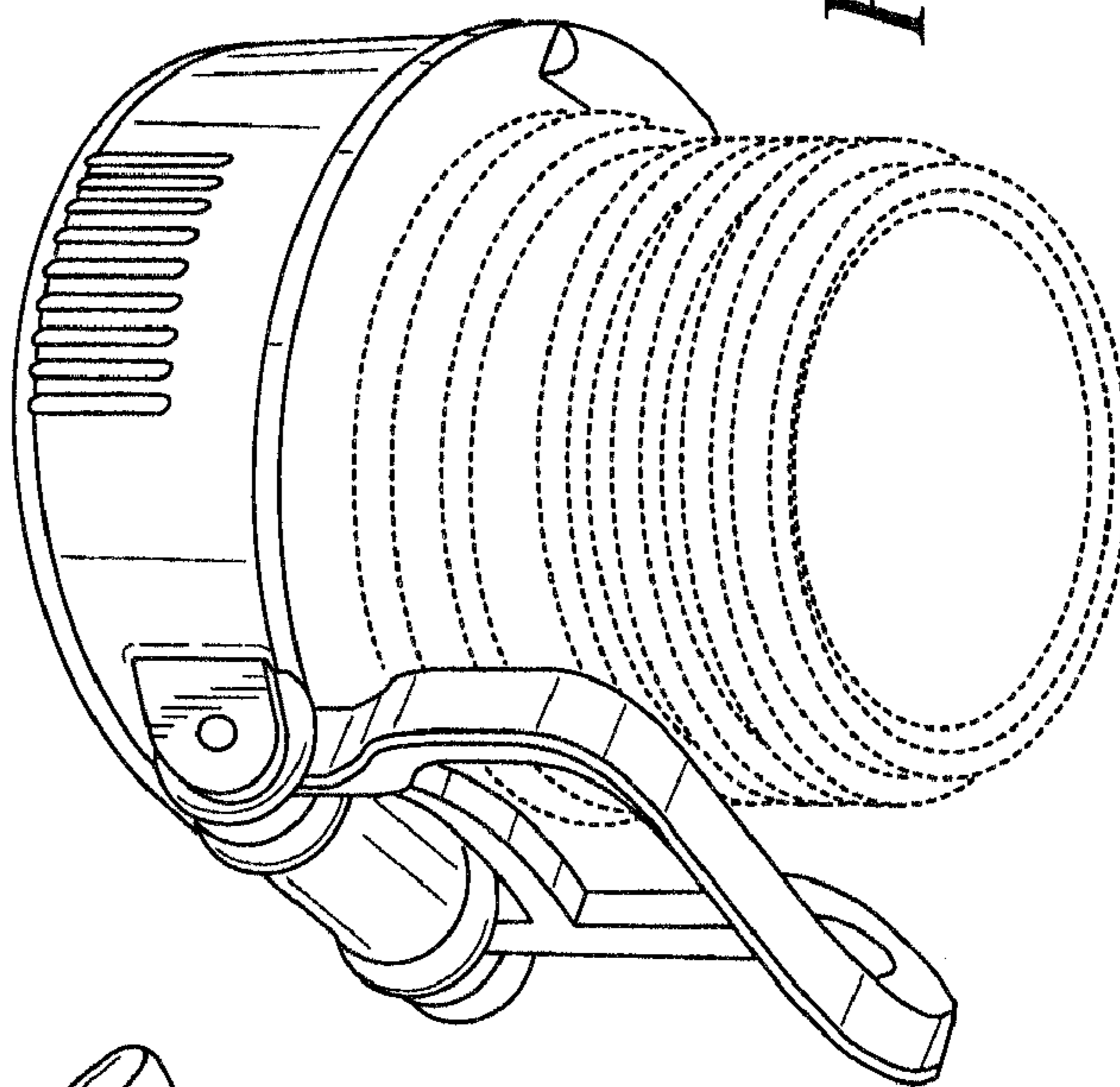


Fig. 2

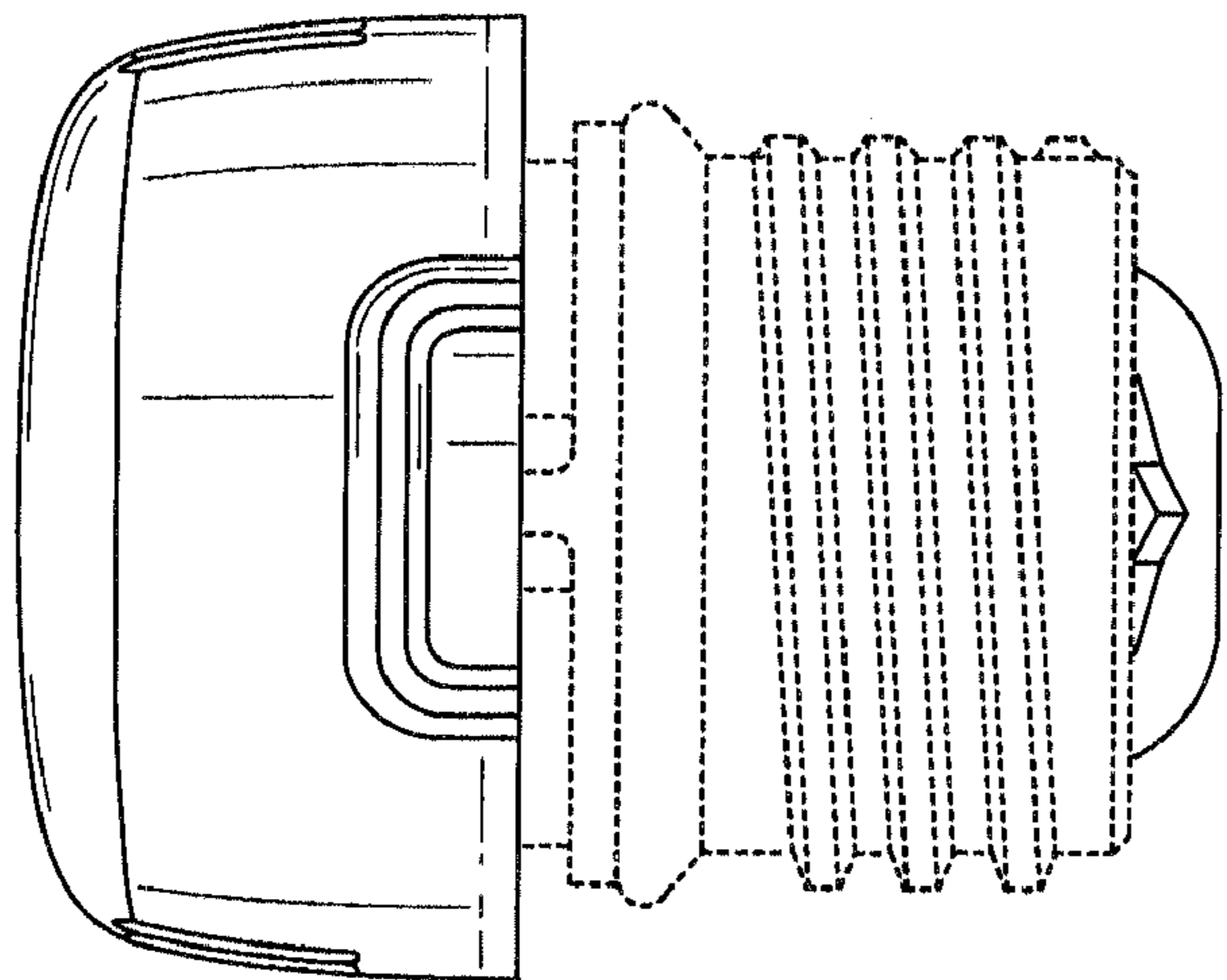
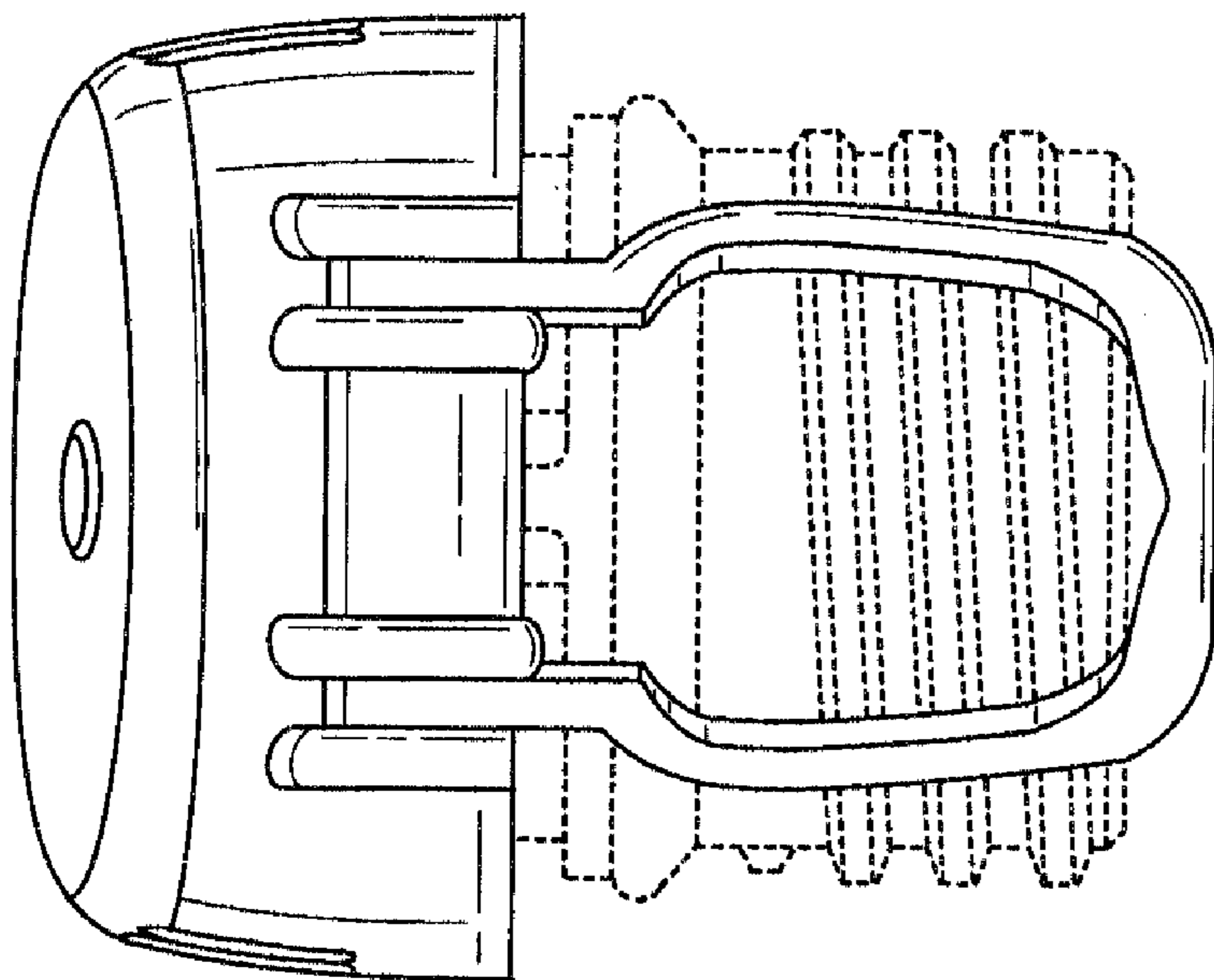
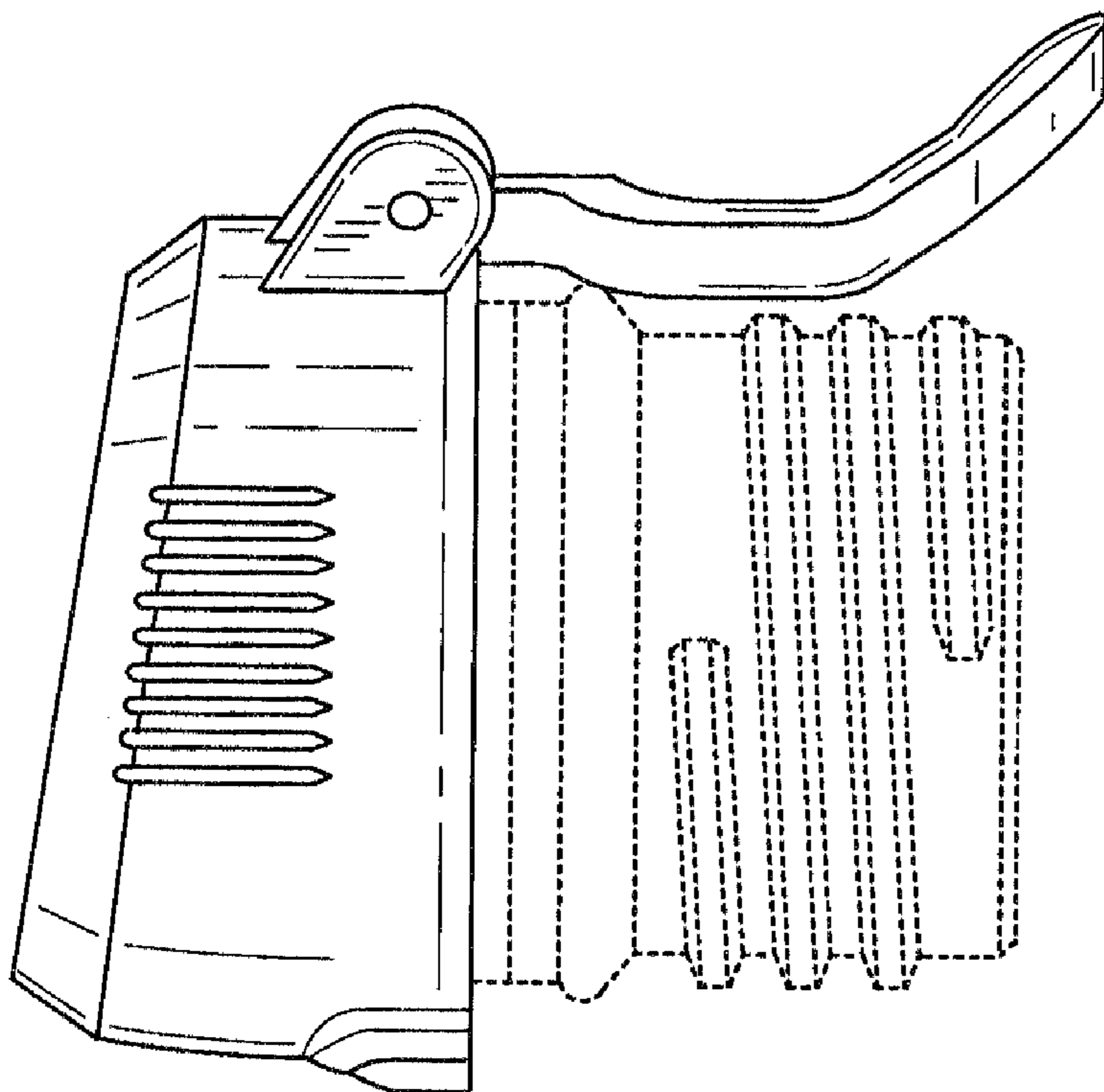


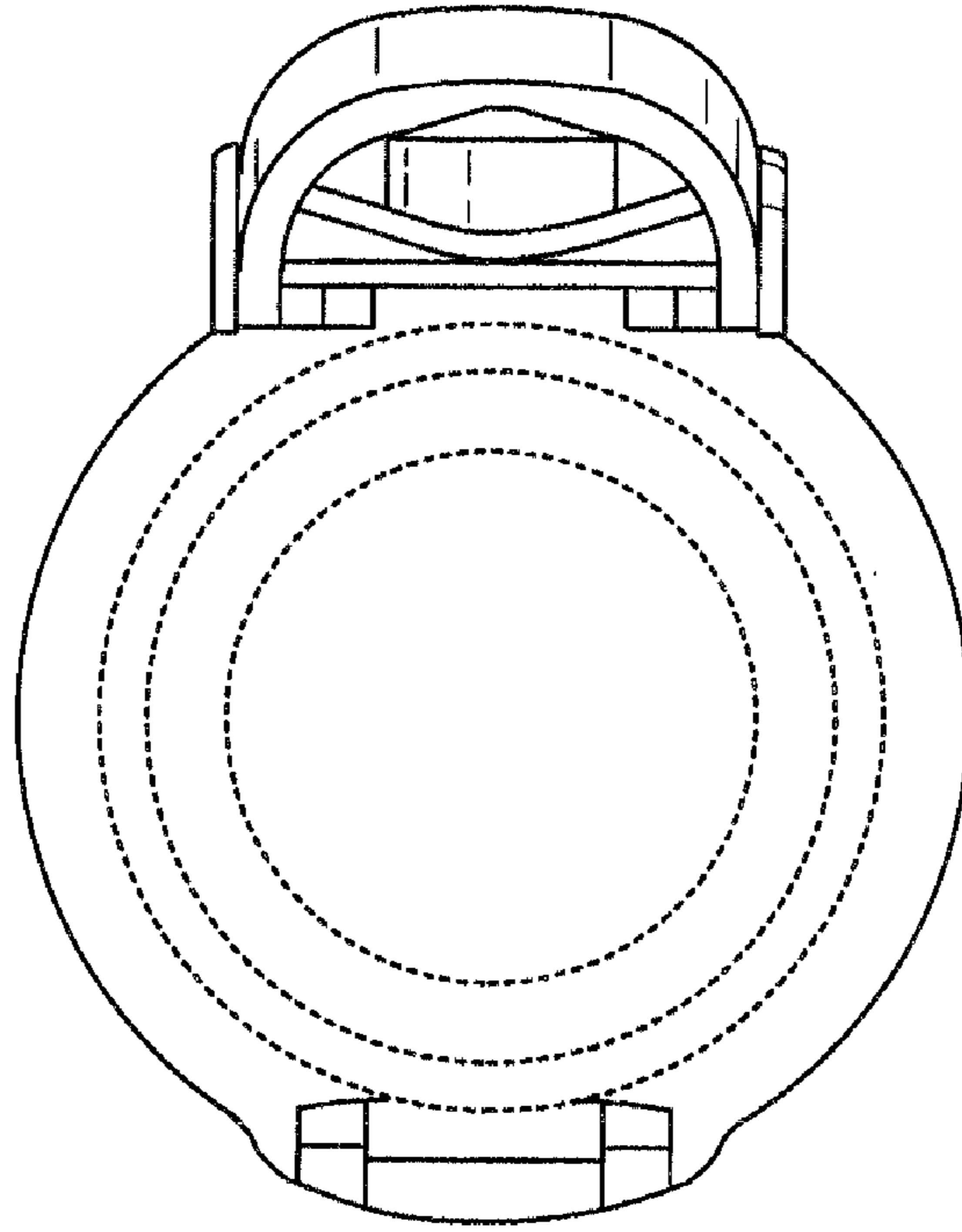
Fig. 3



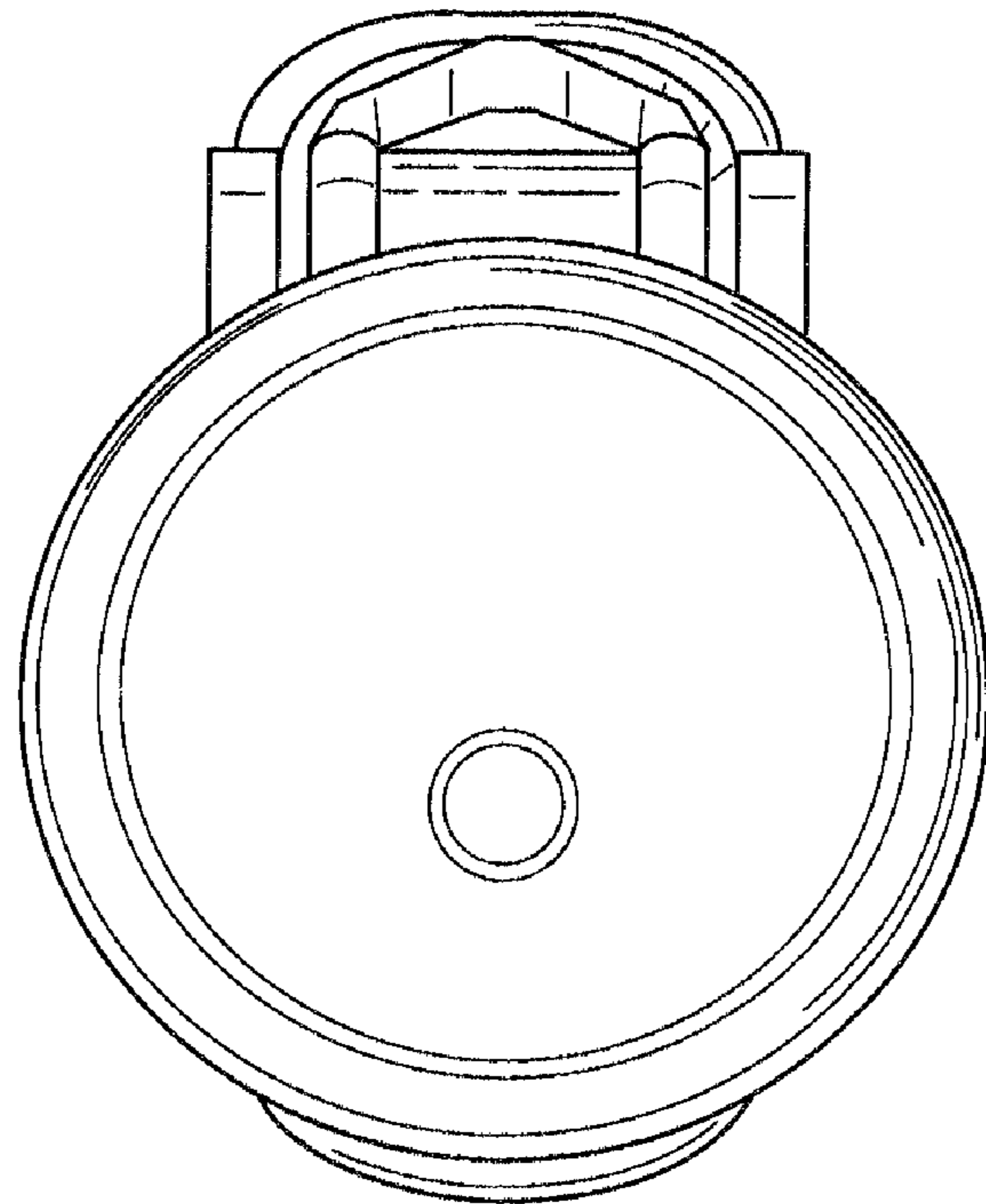
*Fig. 5*



*Fig. 4*



*Fig. 7*



*Fig. 6*