



US00D675057S

(12) **United States Design Patent**  
**Harvey et al.**

(10) **Patent No.:** **US D675,057 S**  
(45) **Date of Patent:** **\*\* Jan. 29, 2013**

(54) **LID**

(75) Inventors: **Travis S. Harvey**, Chicago, IL (US);  
**Karl Edward Ludeman**, Chicago, IL (US)

(73) Assignee: **WKI Holding Company, Inc.**,  
Rosemont, IL (US)

(\*\*) Term: **14 Years**

(21) Appl. No.: **29/415,431**

(22) Filed: **Mar. 9, 2012**

(51) **LOC (9) Cl.** ..... **07-02**

(52) **U.S. Cl.** ..... **D7/391**

(58) **Field of Classification Search** ..... D3/218,  
D3/282, 302, 323; D7/318, 323, 354-363,  
D7/391-396, 392.1, 402, 538, 541-543, 601-602,  
D7/610, 629; D9/434-435, 443, 629, 757;  
16/110.1, 407, 430-431, 441, 443; 219/620-622,  
219/725, 729-730, 734; 220/212, 326, 365-367.1,  
220/573.1-573.5, 752-758, 767-771, 784-788,  
220/832, 912  
See application file for complete search history.

3,185,371 A 5/1965 Reifers  
3,273,743 A 9/1966 McColl  
3,391,847 A 7/1968 Christine et al.  
3,391,852 A 7/1968 Waldrop  
D218,347 S 8/1970 Aubecq  
3,632,014 A 1/1972 Basile  
3,688,942 A 9/1972 Mitchell et al.  
3,850,331 A 11/1974 Oxel  
D234,026 S 12/1974 Winter  
3,964,670 A 6/1976 Amneus  
4,005,798 A 2/1977 Minsky  
4,020,969 A 5/1977 Ando  
4,078,696 A 3/1978 Crisci  
4,185,752 A 1/1980 Basile  
4,209,126 A 6/1980 Elias  
D256,759 S 9/1980 Johnson  
D258,038 S 1/1981 Johnson  
D258,350 S 2/1981 Scott et al.

(Continued)

**FOREIGN PATENT DOCUMENTS**

EP 0112295 A2 6/1984  
EP 0290418 A2 11/1988

(Continued)

*Primary Examiner* — Ricky Pham  
(74) *Attorney, Agent, or Firm* — McDermott Will & Emery LLP

(56) **References Cited**

U.S. PATENT DOCUMENTS

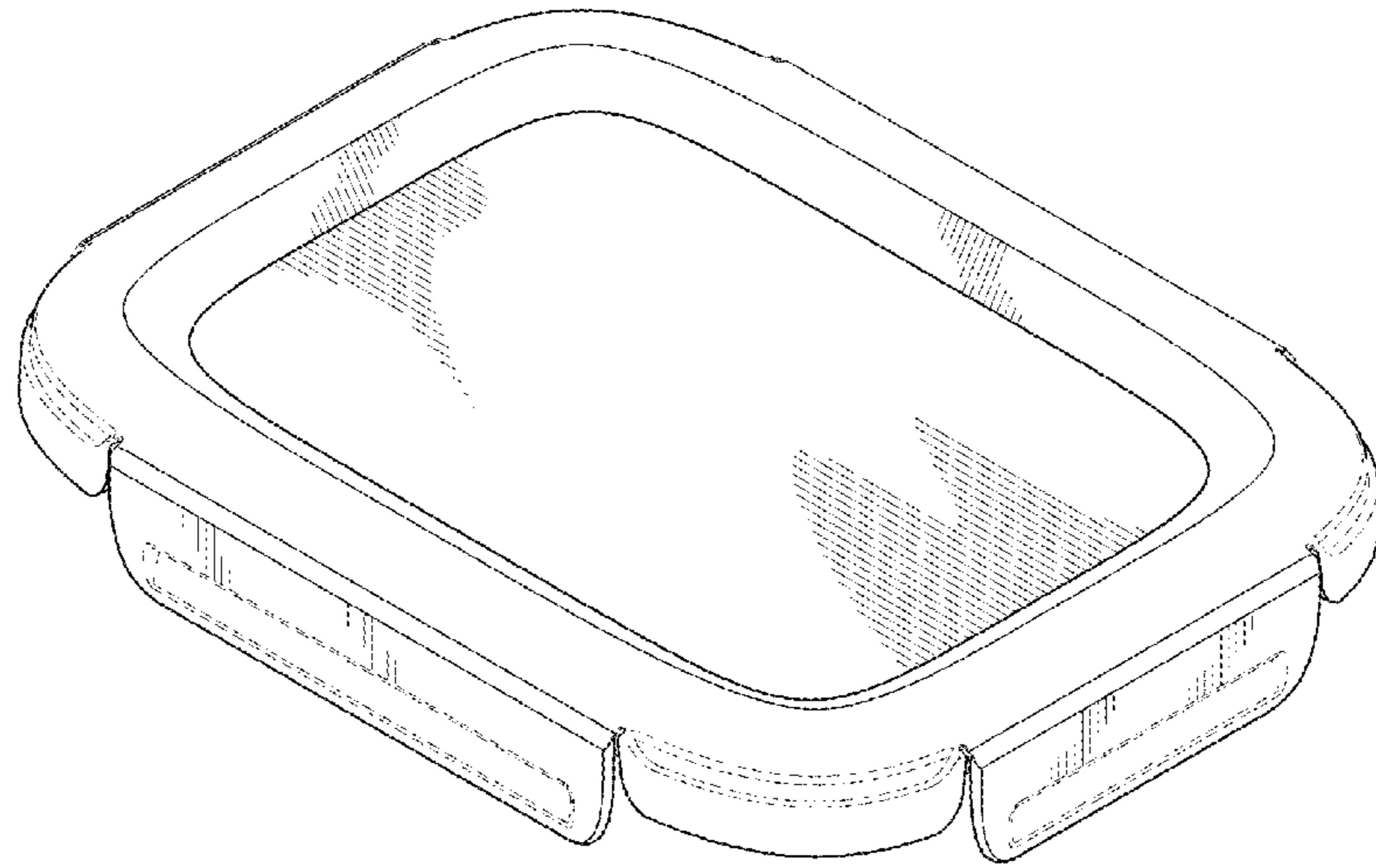
498,020 A 5/1893 Murray  
771,960 A 10/1904 Adams  
1,369,969 A 3/1921 Fairbanks et al.  
1,622,658 A 3/1927 McBurney  
2,047,720 A 7/1936 Wilhelm  
2,069,125 A 11/1936 Antrim  
2,234,485 A 3/1941 Connor  
2,259,770 A 10/1941 Nove  
2,604,976 A 7/1952 Sarg  
2,626,726 A 1/1953 Burkhardt  
2,705,657 A 4/1955 DiGiorgio  
2,808,175 A 10/1957 Aiken  
2,898,003 A 8/1959 Wilson et al.  
D192,257 S 2/1962 Ebstein  
3,081,394 A 3/1963 Arel et al.

(57) **CLAIM**  
We claim the ornamental design for a lid, as shown and described.

**DESCRIPTION**

FIG. 1 is a perspective view of a lid.  
FIG. 2 is a front elevation view of the lid of FIG. 1, the rear elevation view being a mirror image thereof.  
FIG. 3 is a right side elevation view of the lid of FIG. 1, the left side elevation view being a mirror image thereof; and,  
FIG. 4 is a top plan view of the lid of FIG. 1.  
The broken lines form no part of the claimed design.

**1 Claim, 2 Drawing Sheets**



# US D675,057 S

U.S. PATENT DOCUMENTS					
D259,103	S	5/1981 Scott et al.	6,364,152	B1	4/2002 Poslinski et al.
D261,620	S	11/1981 Scott et al.	6,415,945	B1	7/2002 Zank et al.
4,329,919	A	5/1982 Andersen	6,415,947	B1	7/2002 Kim
D265,798	S	8/1982 Ossola	D461,678	S	8/2002 Hayes
4,466,552	A	8/1984 Butterworth et al.	6,460,720	B1	10/2002 Massey et al.
D276,218	S	11/1984 Baldwin et al.	D465,969	S	11/2002 Morin
D280,969	S	10/1985 Schrage	6,474,490	B1	11/2002 Seibel et al.
D282,616	S	2/1986 Gallagher et al.	6,494,338	B1	12/2002 Schultz
4,607,768	A	8/1986 Taber et al.	D470,005	S	2/2003 Cooper et al.
D287,559	S	1/1987 Daenen et al.	6,557,720	B2	5/2003 Tosdale et al.
D289,844	S	5/1987 Daenen et al.	6,568,534	B2	5/2003 Zank
D290,346	S	6/1987 Siegel	D475,246	S	6/2003 Jørgensen
D296,525	S	7/1988 Siegel	D475,573	S	6/2003 Jalet et al.
4,863,036	A	9/1989 Heijenga	6,581,795	B1	6/2003 Schulein et al.
4,976,370	A	12/1990 Cassel	6,581,939	B1	6/2003 Theros et al.
4,981,229	A	1/1991 Lanham	D477,187	S	7/2003 McCallister et al.
5,002,189	A	3/1991 Sahi	D478,469	S	8/2003 Roth et al.
5,065,885	A	11/1991 Scaroni	D479,673	S	9/2003 Kim
D327,201	S	6/1992 Gecchelin	D479,954	S	9/2003 Kim
5,337,913	A	8/1994 Fukuda	D480,277	S	10/2003 Claypool
5,363,978	A	11/1994 Molo	D481,910	S	11/2003 Kim
D356,256	S *	3/1995 Romanoff ..... D3/282	D483,618	S	12/2003 Watson
5,405,038	A	4/1995 Chuang	D483,622	S	12/2003 Kim
5,423,451	A	6/1995 Snyder	D484,367	S	12/2003 Kim
5,427,266	A	6/1995 Yun	D484,745	S	1/2004 Watson
D361,470	S	8/1995 Arbunies	6,685,046	B2	2/2004 Ogino
D365,251	S	12/1995 Lo	6,698,336	B1	3/2004 Siegel et al.
5,579,961	A	12/1996 Zimmerman	D488,031	S	4/2004 Kim
5,641,065	A	6/1997 Owens et al.	D490,277	S	5/2004 Kim
D381,553	S	7/1997 Candianides	D490,643	S	6/2004 Groll
D386,685	S	11/1997 Miller	D493,073	S	7/2004 Kim
5,688,544	A	11/1997 Bolton et al.	D496,560	S	9/2004 Lerner
D389,012	S	1/1998 Miller	6,793,096	B1	9/2004 Seok
5,704,485	A	1/1998 Cautereels et al.	D498,389	S	11/2004 Tollman
5,709,318	A	1/1998 Oder	6,824,004	B1	11/2004 Wooderson
5,762,228	A	6/1998 Morgan et al.	D499,931	S	12/2004 Kim
5,785,201	A	7/1998 Bordner et al.	D500,227	S	12/2004 Seok
5,806,703	A	9/1998 Grandi	D501,764	S	2/2005 Lerner
D401,468	S	11/1998 Knoll et al.	6,877,633	B2	4/2005 Niese
D407,640	S	4/1999 Nelson et al.	D504,815	S	5/2005 Carlson
5,893,477	A	4/1999 Kaneko et al.	D505,840	S	6/2005 Schultz et al.
5,921,432	A	7/1999 Van Berne et al.	D507,155	S	7/2005 Gosen et al.
5,944,211	A	8/1999 Woodnorth et al.	D508,825	S	8/2005 Kim
D415,386	S	10/1999 Stucke, Jr. et al.	6,929,145	B2	8/2005 Shepler
D415,652	S	10/1999 Loew et al.	D511,931	S	11/2005 Sano
5,974,686	A	11/1999 Nomura et al.	D511,938	S	11/2005 Watson
D417,367	S	12/1999 Laib	D512,278	S	12/2005 Schultz et al.
D417,817	S	12/1999 Loew et al.	D514,373	S	2/2006 Vendl et al.
D418,017	S	12/1999 Henry	D514,811	S	2/2006 Koo
6,035,769	A	3/2000 Nomura et al.	D514,954	S	2/2006 Kim
6,053,474	A	4/2000 Stucke, Jr. et al.	D516,376	S	3/2006 Kim
D429,961	S	8/2000 Harris	D517,311	S	3/2006 Kim
6,105,810	A	8/2000 Daenen et al.	D521,812	S	5/2006 Kim
6,116,151	A	9/2000 Fickert et al.	D522,804	S	6/2006 Vendl et al.
D431,419	S	10/2000 Greene	D523,296	S	6/2006 Kim
D435,447	S	12/2000 Lee	D524,119	S	7/2006 Kim
D440,470	S	4/2001 Tucker et al.	D525,489	S	7/2006 Kim
D441,598	S	5/2001 Wyche	7,077,282	B2	7/2006 Tondar et al.
D442,425	S	5/2001 Wyche	D527,218	S	8/2006 Carlson
6,234,067	B1	5/2001 Schmidt	7,086,326	B2	8/2006 Yokoyama
D443,184	S	6/2001 Maxwell et al.	7,090,089	B2	8/2006 Lown et al.
D443,798	S	6/2001 Tucker et al.	7,097,067	B2	8/2006 Scarabelli et al.
D445,631	S	7/2001 Elorza	D528,357	S	9/2006 Hsu
D445,633	S	7/2001 Bradley	7,114,617	B2	10/2006 Yewdall et al.
D445,641	S	7/2001 Conti	7,131,550	B2	11/2006 Vilalta et al.
D445,649	S	7/2001 Maxwell et al.	D535,153	S	1/2007 Eide et al.
D445,673	S	7/2001 Richardson	D536,251	S	2/2007 Richards
D445,674	S	7/2001 Pritchett	D536,571	S	2/2007 Kim
D445,687	S	7/2001 Gilbertson	D537,300	S	2/2007 Kim
6,261,616	B1	7/2001 Simpson et al.	D539,098	S	3/2007 Tucker et al.
D446,085	S	8/2001 Dretzka	D544,755	S	6/2007 Diesman
D446,117	S	8/2001 Conti	D544,762	S	6/2007 Zimmerman
D448,606	S	10/2001 Conti	D549,519	S	8/2007 Moon et al.
D448,965	S	10/2001 Jang-Won	D551,907	S	10/2007 Zettle et al.
D448,969	S	10/2001 Conti	D553,444	S	10/2007 de Groote et al.
D450,537	S	11/2001 Hayes	7,299,941	B2	11/2007 McMahan, III et al.
D452,374	S	12/2001 Kim	D559,042	S	1/2008 de Groote et al.
D455,321	S	4/2002 Jung et al.	D562,083	S	2/2008 Lown et al.
			D563,175	S	3/2008 Levien



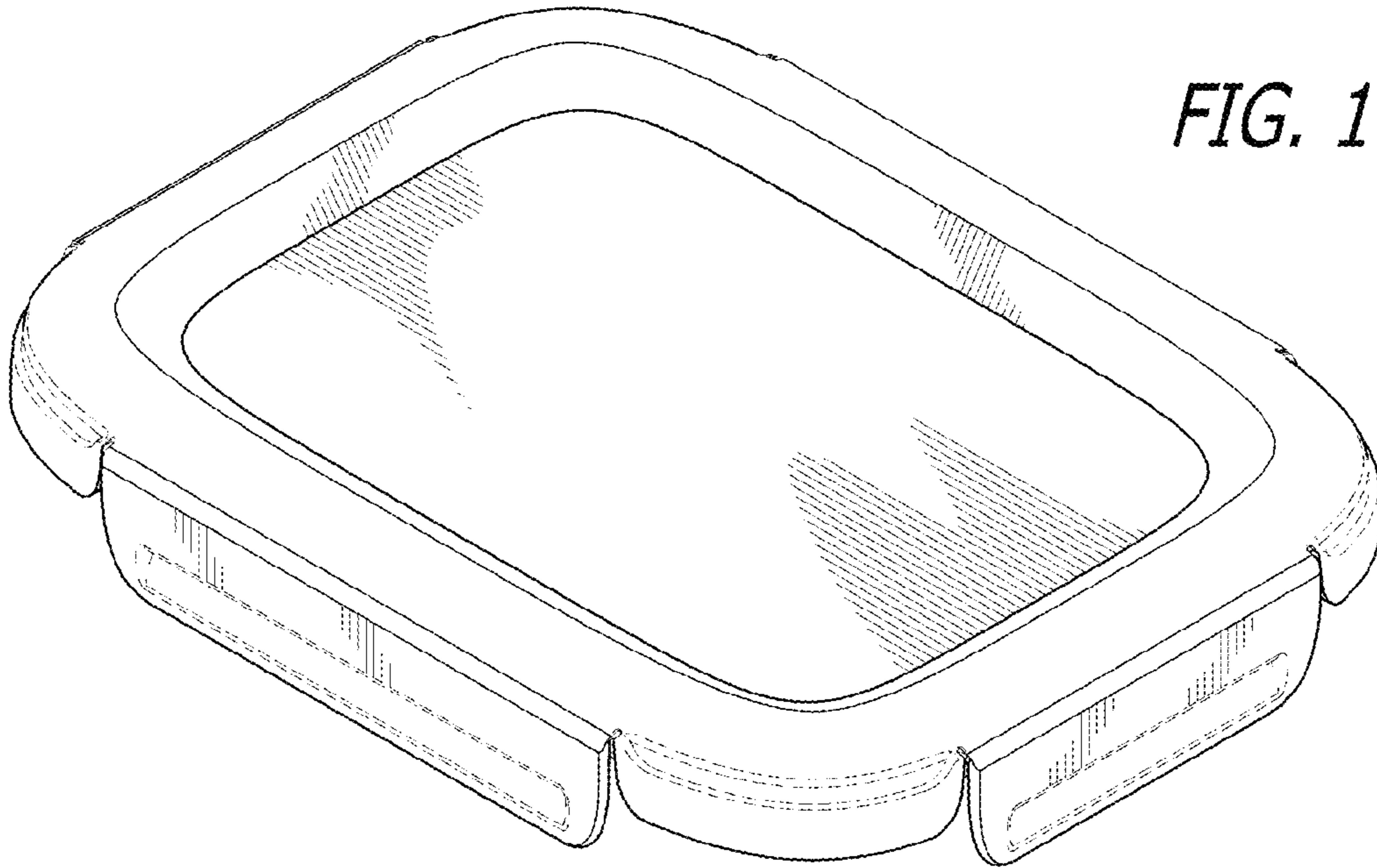
# US D675,057 S

D566,483 S	4/2008	Tucker et al.	2001/0023870 A1	9/2001	Mihalov et al.	
D567,029 S	4/2008	Valderrama et al.	2003/0019878 A1	1/2003	Scarabelli et al.	
D568,108 S	5/2008	Levien	2003/0116572 A1	6/2003	Klock et al.	
D571,657 S	6/2008	Kuo	2003/0160056 A1	8/2003	Moon et al.	
D575,115 S	8/2008	Zimmerman	2003/0178428 A1	9/2003	Chang	
7,413,099 B2	8/2008	Takahashi et al.	2004/0013827 A1	1/2004	Zuser et al.	
D580,218 S	11/2008	Kim	2004/0035867 A1	2/2004	Schultz et al.	
D582,201 S	12/2008	Kellermann et al.	2004/0084464 A1 *	5/2004	Koo .....	220/784
D583,615 S	12/2008	Simon et al.	2004/0182860 A1	9/2004	Wu et al.	
D586,179 S	2/2009	Furlong	2005/0006390 A1	1/2005	Wang	
D591,112 S	4/2009	Wang	2005/0035125 A1 *	2/2005	Bae .....	220/326
D591,149 S	4/2009	Bonner et al.	2005/0205572 A1	9/2005	Leibowitz	
D594,704 S	6/2009	Loaiza	2005/0205577 A1	9/2005	Park	
D604,157 S	11/2009	Reiterer et al.	2005/0218143 A1	10/2005	Niederer et al.	
D606,176 S	12/2009	Urquiola	2006/0266757 A1	11/2006	Camacho et al.	
D606,177 S	12/2009	Urquiola	2007/0095836 A1	5/2007	Auwarter et al.	
D606,813 S	12/2009	Kim	2007/0095849 A1	5/2007	Kim	
D607,688 S	1/2010	Hart et al.	2007/0131750 A1	6/2007	Drummond et al.	
D607,689 S	1/2010	Hart et al.	2007/0164094 A1	7/2007	Takahashi	
D609,530 S	2/2010	Hart et al.	2007/0164095 A1	7/2007	Schuetz	
D610,878 S	3/2010	Kim	2007/0170190 A1	7/2007	Milesi et al.	
D610,879 S	3/2010	Kim	2008/0041852 A1	2/2008	Cai	
D611,305 S	3/2010	Hart et al.	2008/0083752 A1	4/2008	Mantyla et al.	
D612,196 S	3/2010	Furlong	2008/0110911 A1 *	5/2008	Chen .....	220/788
D615,821 S	5/2010	Stamper	2008/0203092 A1	8/2008	Stamper et al.	
D618,516 S	6/2010	DiPietro et al.	2009/0008284 A1	1/2009	Lown et al.	
7,740,730 B2	6/2010	Schedl et al.	2009/0218360 A1	9/2009	Suk	
7,753,223 B2	7/2010	Boozer et al.	2010/0089934 A1	4/2010	Lim	
D621,664 S	8/2010	Heiberg et al.				
7,784,638 B2	8/2010	Kishbaugh et al.				
7,789,262 B2	9/2010	Niederer et al.				
7,854,344 B2 *	12/2010	Suk .....				220/326
7,975,883 B2	7/2011	Laib et al.				
D642,861 S	8/2011	Samartgis				
7,997,439 B2	8/2011	Meeks et al.				
D651,477 S *	1/2012	Nie .....				D7/629
D651,479 S *	1/2012	Nie .....				D7/629
D652,265 S *	1/2012	Lindsay et al. ....				D7/629
D652,686 S *	1/2012	Lindsay et al. ....				D7/629
D660,092 S *	5/2012	Kyung .....				D7/629
D660,094 S *	5/2012	Kyung .....				D7/629
D660,095 S *	5/2012	Kyung .....				D7/629
D662,424 S *	6/2012	Lindsay et al. ....				D9/629

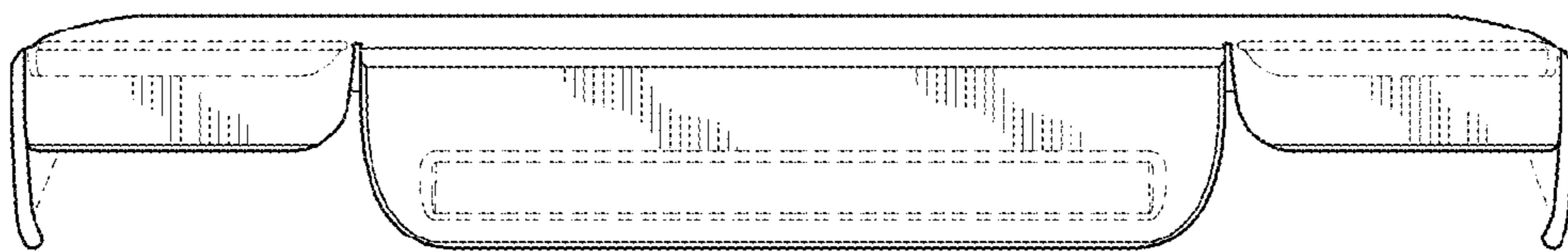
  

FOREIGN PATENT DOCUMENTS					
JP	11263358	A		9/1999	
JP	2004307059	A		11/2004	
JP	2005193980	A		7/2005	
KR	102005042421	A		5/2005	
KR	100661905	B1		12/2006	
KR	102007099735	A		10/2007	
KR	200439997	Y1		5/2008	
KR	102008043932	A		5/2008	
KR	102009034619	A		4/2009	
KR	202009012679	U		12/2009	

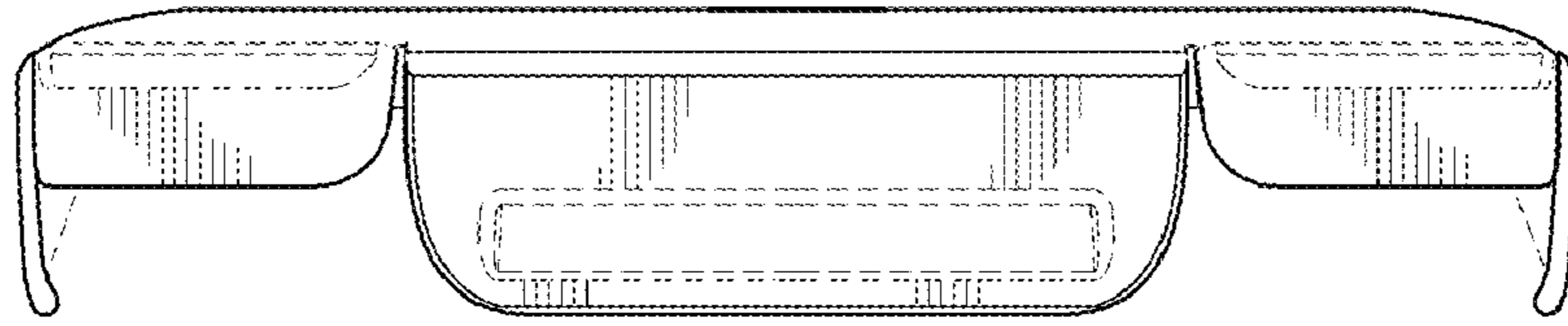
\* cited by examiner



*FIG. 1*



*FIG. 2*



*FIG. 3*

*FIG. 4*

