



US00D675056S

(12) **United States Design Patent**
Goodman et al.

(10) **Patent No.:** **US D675,056 S**
(45) **Date of Patent:** **** Jan. 29, 2013**

(54) **TRIVET**

(75) Inventors: **Sheldon H. Goodman**, Solon, OH (US);
Phaysouk Xayoiphonh, Akron, OH
(US); **Grace Lee**, Mayfield, OH (US)

(73) Assignee: **Spectrum Diversified Design, Inc.**,
Streetsboro, OH (US)

(**) Term: **14 Years**

(21) Appl. No.: **29/422,701**

(22) Filed: **May 23, 2012**

(51) **LOC (9) Cl.** **07-01**

(52) **U.S. Cl.** **D7/389; D7/388**

(58) **Field of Classification Search** D7/387,
D7/388, 389, 408, 213, 396.2, 396.3; D9/434;
D6/403; 211/181.1; 99/440
See application file for complete search history.

(56) **References Cited**

U.S. PATENT DOCUMENTS

1,527,856	A *	2/1925	France	47/41.11
D75,465	S *	6/1928	Bach	D26/149
2,226,844	A *	12/1940	Carr	249/77
D169,719	S *	6/1953	Agee	D7/408
D269,321	S *	6/1983	Zannini	D7/388
D331,172	S *	11/1992	Austin	D7/409
5,477,637	A *	12/1995	Aldrich	47/41.01
D404,964	S *	2/1999	Goodman et al.	D7/388

D405,290	S *	2/1999	Hollinger	D6/403
D407,944	S *	4/1999	Filbrun	D7/396.2
D411,058	S *	6/1999	Sellers	D6/403
5,934,185	A *	8/1999	Sonnier	99/440
D434,598	S *	12/2000	Goodman et al.	D7/388
D479,093	S *	9/2003	Ancona	D7/388
D479,094	S *	9/2003	Ancona	D7/388
D479,433	S *	9/2003	Ancona	D7/388
D479,783	S *	9/2003	Ancona	D7/388
D518,995	S *	4/2006	Goodman et al.	D7/388
D584,824	S *	1/2009	Berglund	D24/199
D592,448	S *	5/2009	Goodman et al.	D7/388
D592,904	S *	5/2009	Goodman et al.	D7/388
D631,283	S *	1/2011	Guindi	D7/389
8,152,012	B1 *	4/2012	Berglund	215/396

* cited by examiner

Primary Examiner — Marianne Pandozzi

(74) *Attorney, Agent, or Firm* — Pearne & Gordon LLP

(57) **CLAIM**

The ornamental design for a trivet, as shown and described.

DESCRIPTION

FIG. 1 is a perspective view of a trivet showing our new design;

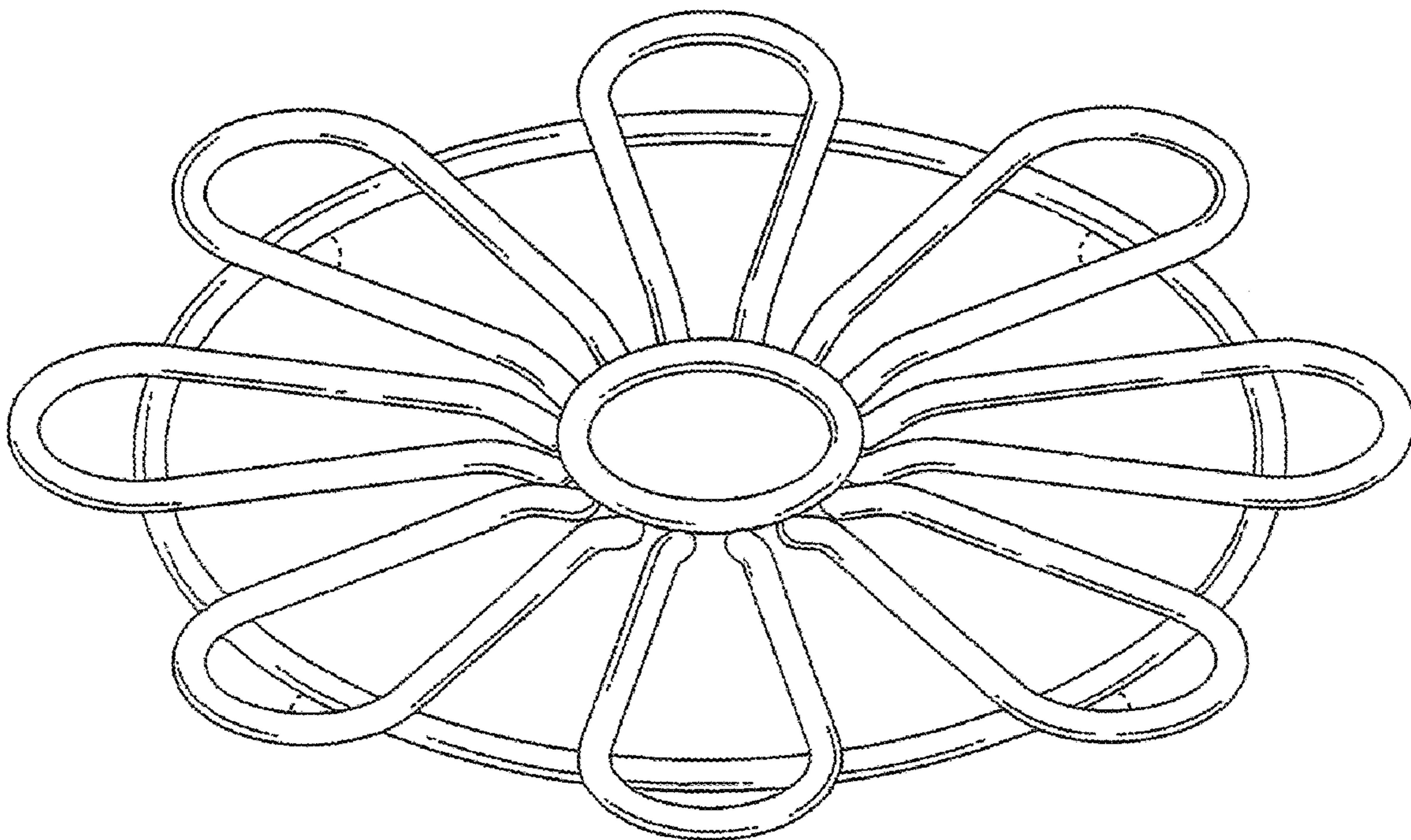
FIG. 2 is a top plan view thereof;

FIG. 3 is a bottom plan view thereof; and,

FIG. 4 is a side elevational view thereof.

The dotted line showing in the drawings illustrates environmental matter and forms no part of the claimed design.

1 Claim, 3 Drawing Sheets



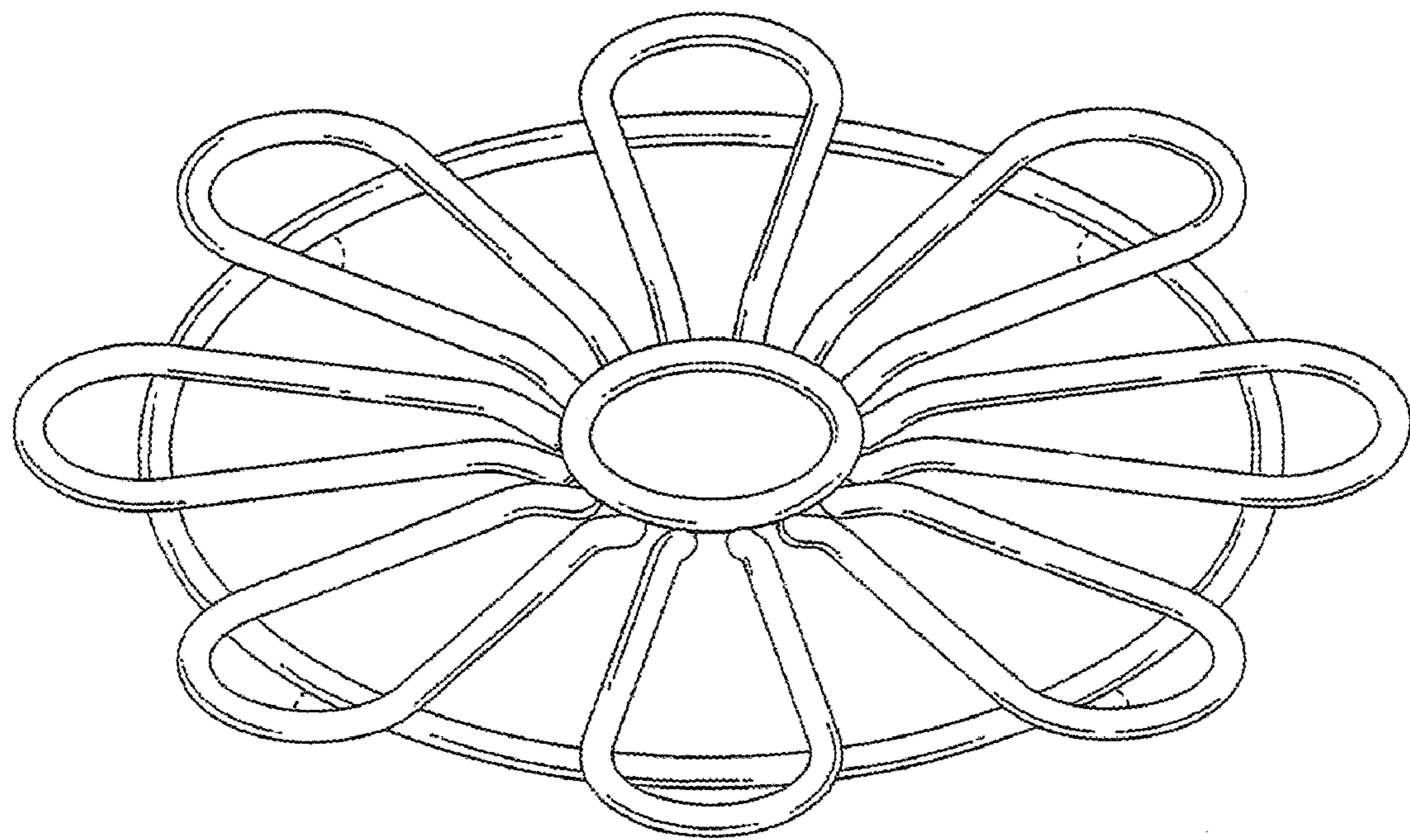


FIG 1

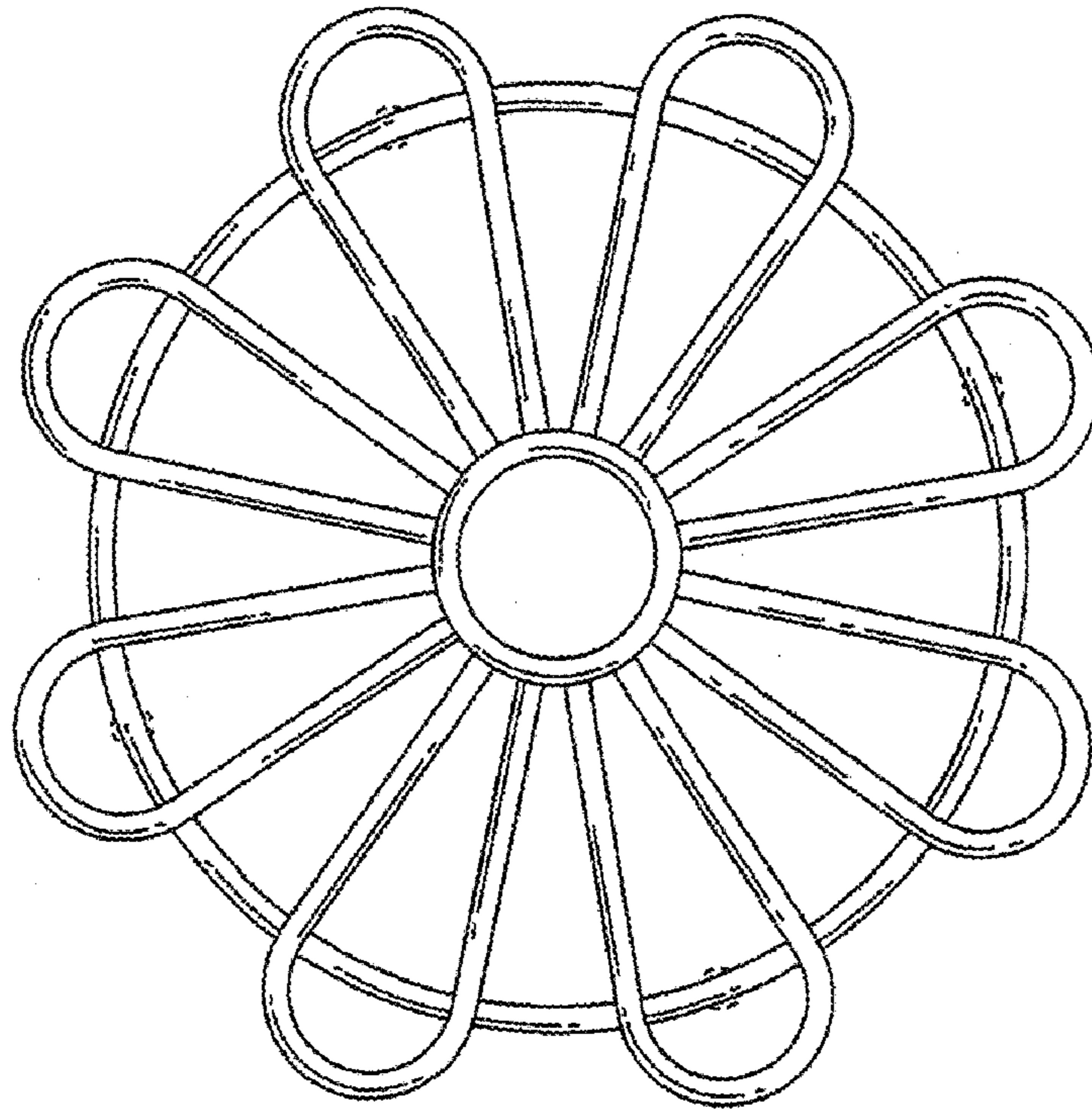


FIG 2

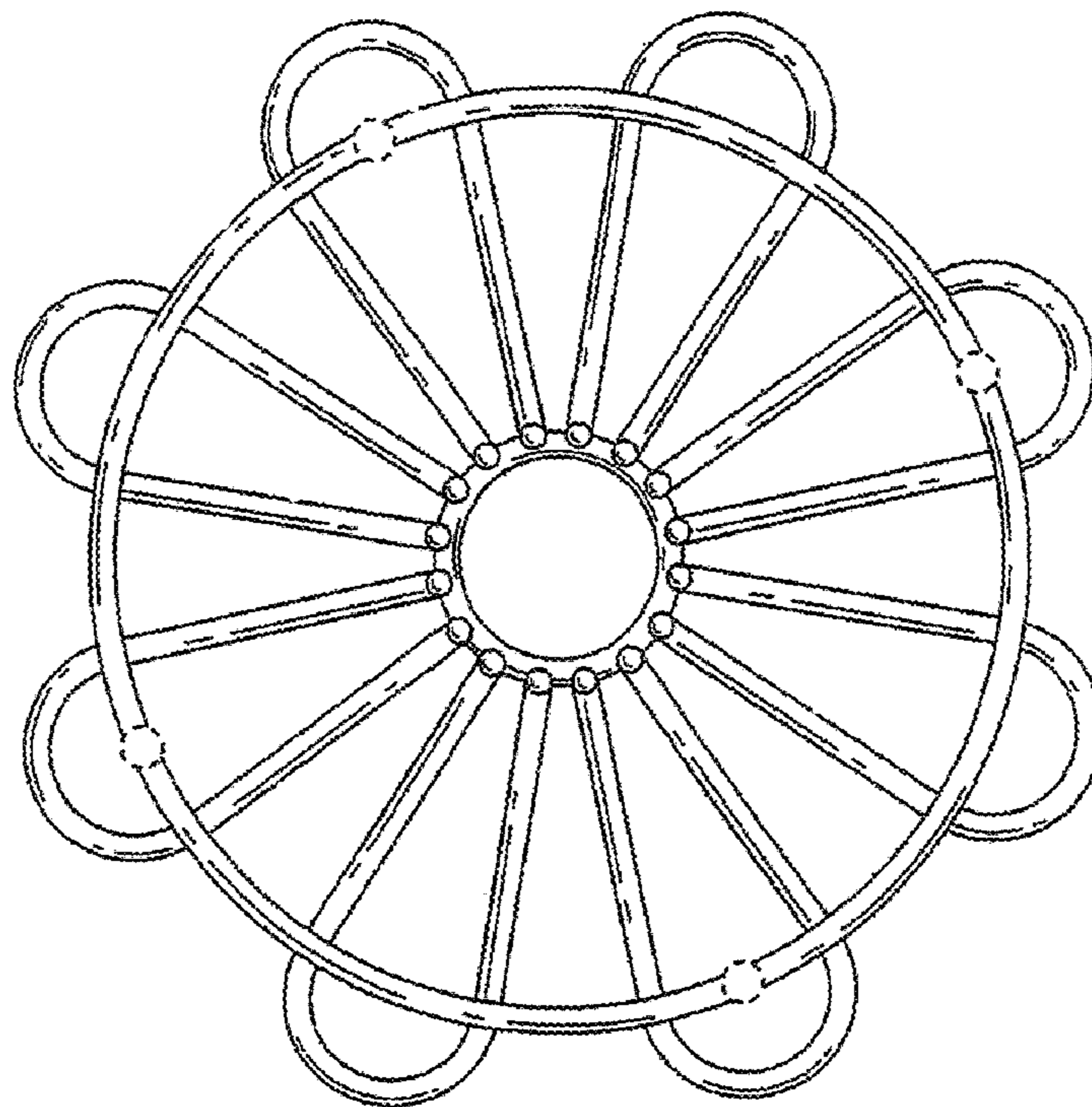


FIG 3

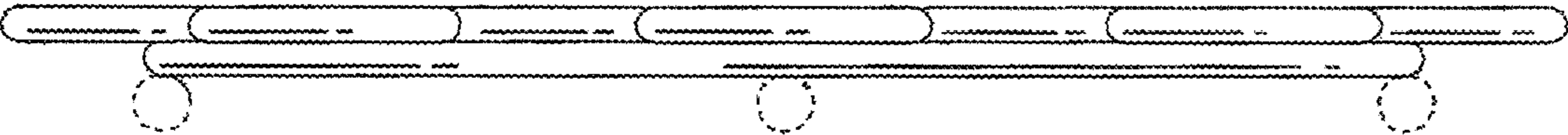


FIG 4