



US00D675055S

(12) **United States Design Patent**
Joseph

(10) **Patent No.:** **US D675,055 S**

(45) **Date of Patent:** **** Jan. 29, 2013**

(54) **STRETCH TRIVET**

(75) Inventor: **Antony Joseph**, London (GB)

(73) Assignee: **Joseph Joseph Ltd.**, London (GB)

(**) Term: **14 Years**

(21) Appl. No.: **29/394,783**

(22) Filed: **Jun. 21, 2011**

(30) **Foreign Application Priority Data**

Feb. 17, 2011 (EM) 001822743-0009

(51) **LOC (9) Cl.** **07-99**

(52) **U.S. Cl.** **D7/388**

(58) **Field of Classification Search** D7/387,
D7/388, 389; 211/105; 248/150

See application file for complete search history.

(56) **References Cited**

U.S. PATENT DOCUMENTS

132,692	A *	10/1872	Roddy	211/105
1,952,494	A *	3/1934	Gafford	248/167
D181,764	S *	12/1957	Togt	D7/388
D194,547	S *	2/1963	Satell	D7/388

3,225,938	A *	12/1965	Von Bromssen	211/85
3,967,803	A *	7/1976	Kienlen et al.	248/152
4,287,993	A *	9/1981	Licari	211/105
4,488,650	A *	12/1984	Licari	211/105
4,497,413	A *	2/1985	Tocci	211/202
4,725,028	A *	2/1988	Conradt	248/150
5,221,012	A *	6/1993	Licari	211/105
6,000,666	A *	12/1999	Kari	248/150
6,776,382	B1 *	8/2004	Papadopoulos et al.	..	248/346.07
D625,145	S *	10/2010	King et al.	D7/388

* cited by examiner

Primary Examiner — Marianne Pandozzi

(74) *Attorney, Agent, or Firm* — Millen, White, Zelano & Branigan, P.C.

(57) **CLAIM**

The ornamental design for a stretch trivet, as shown and described.

DESCRIPTION

FIG. 1 is a perspective view of the stretch trivet in unfolded position showing my new design;
FIG. 2 is an enlarged front view of the stretch trivet in folded position; and,
FIG. 3 is an enlarged side view stretch trivet in folded position.

1 Claim, 3 Drawing Sheets

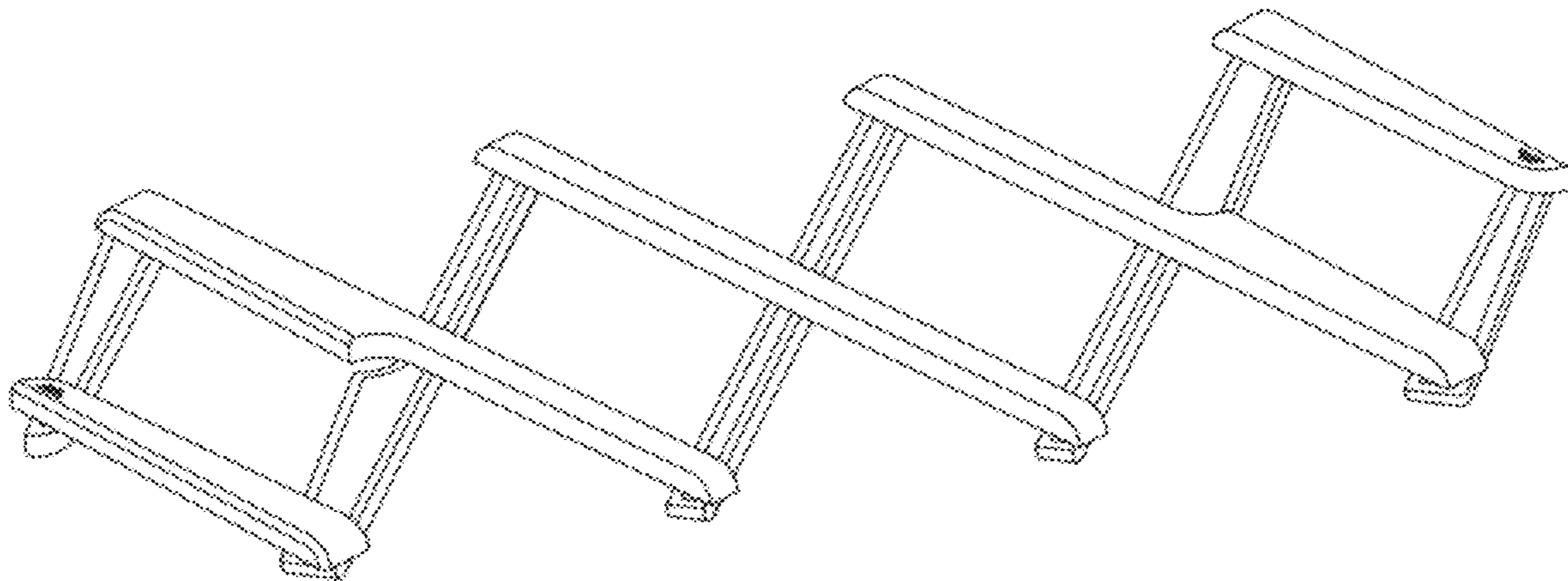


Figure 1

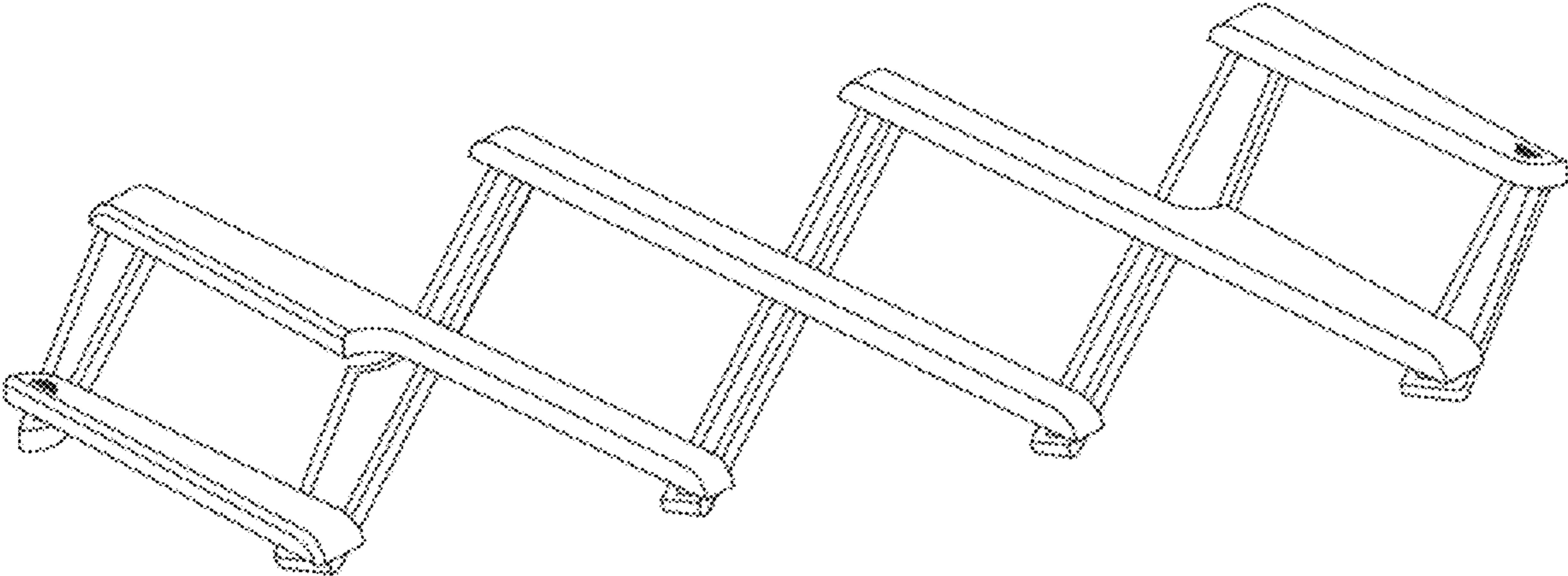


Figure 2

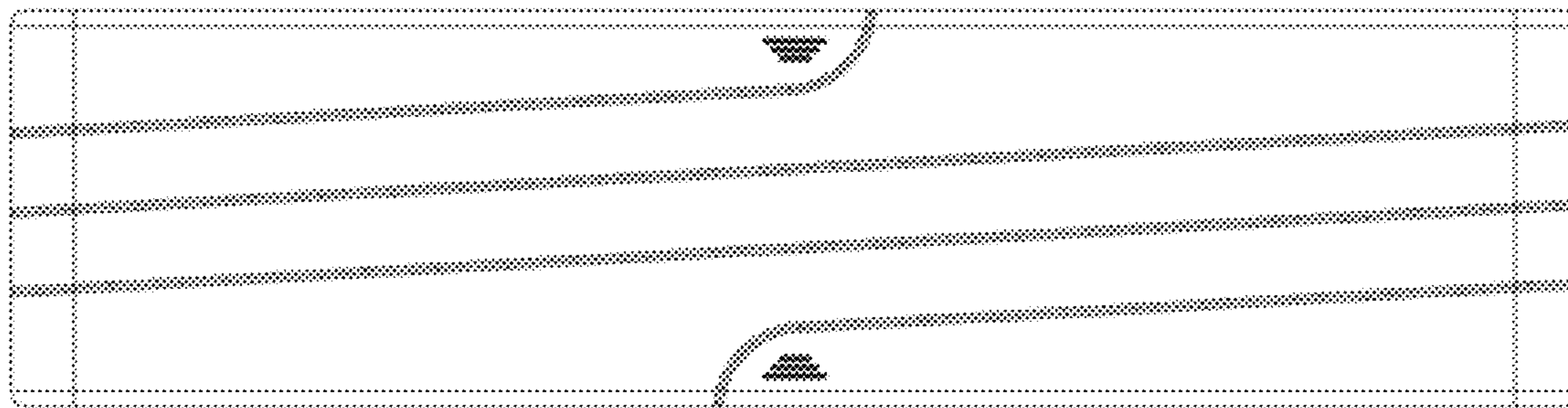


Figure 3

